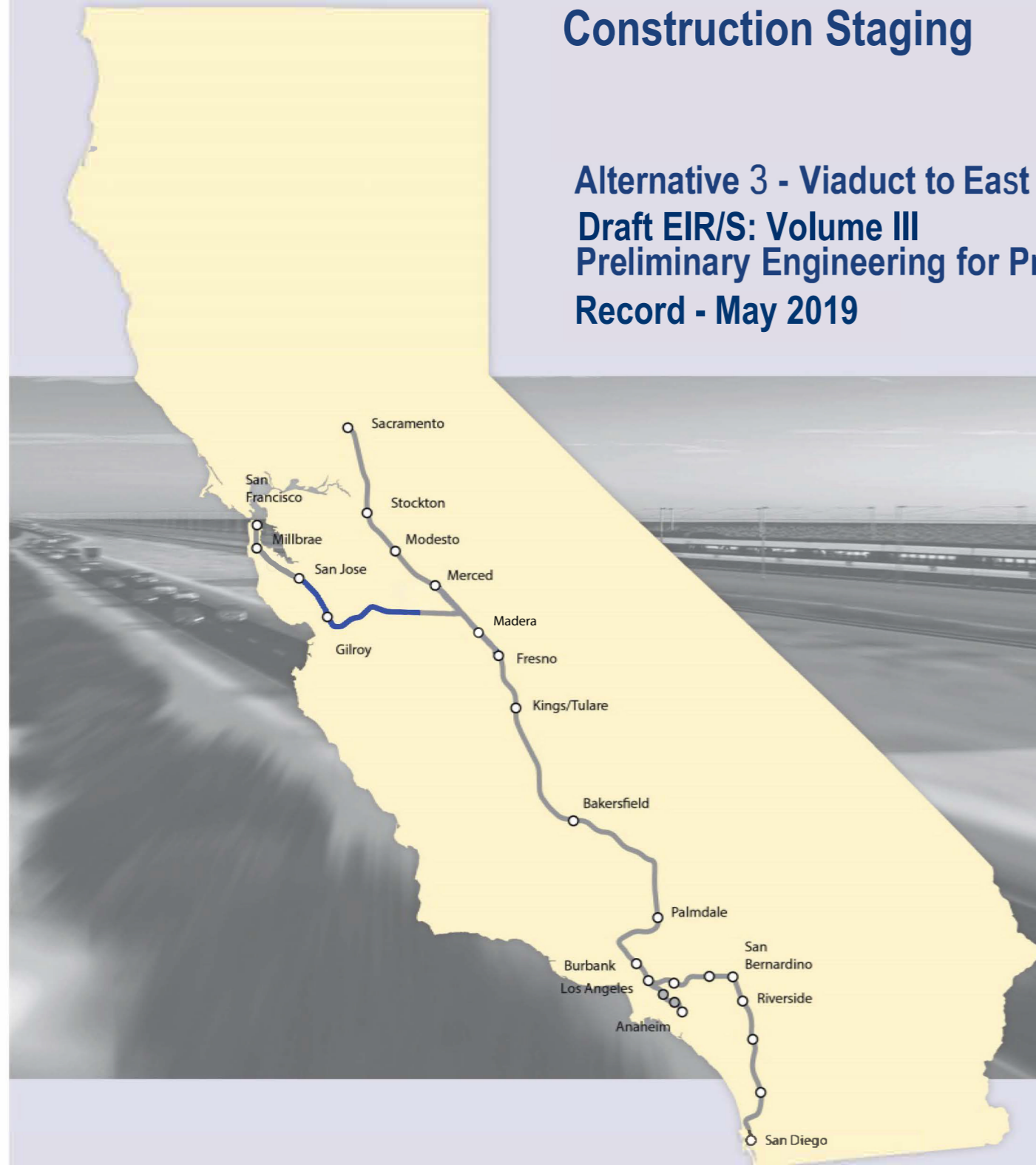


California High-Speed Rail Authority

# San Jose to Merced Section: San Jose to Central Valley Wye

## Construction Staging

Alternative 3 - Viaduct to East Gilroy  
Draft EIR/S: Volume III  
Preliminary Engineering for Project Definition  
Record - May 2019



**SAN JOSE TO CVY EIR/S: VOLUME III  
ALTERNATIVE 3  
BOOK 3E  
SHEET 139 - 177 OF 216**

**ALTERNATIVE 3 - VIADUCT TO EAST GILROY**

| BOOK  | SHEET NO | DRAWING NO | SUBSECTION                 | GEOGRAPHIC LOCATION  | ALIGNMENT OR FEATURE           | SHEET DESCRIPTION | ADDITIONAL DESCRIPTION |
|---|----------|------------|----------------------------|----------------------|--------------------------------|-------------------|------------------------|
| <b>COVER, INDEX OF DRAWING AND KEY MAPS</b> |          |            |                            |                      |                                |                   |                        |
| BOOK 3E                                     | A        | COVER      | SAN JOSE TO MERCED SECTION | N/A                  | SAN JOSE TO CENTRAL VALLEY WYE | ALTERNATIVE 3     | VIADUCT TO EAST GILROY |
| BOOK 3E                                     | B        | GE-A0306   | ENTIRE ALTERNATIVE         | CONSTRUCTION STAGING | INDEX OF DRAWING               | SHEET 6 OF 7      |                        |
| BOOK 3E                                     | C        | GE-D0301   | GENERAL                    | ENTIRE ALTERNATIVE   | KEY MAP                        | COMPOSITE PLAN    |                        |
| BOOK 3E                                     | D        | GE-D0302   | GENERAL                    | ENTIRE ALTERNATIVE   | KEY MAP                        | SYSTEMS SITES     |                        |

**CONSTRUCTION STAGING**

|         |     |           |                        |                                      |                            |  |   |
|---------|-----|-----------|------------------------|--------------------------------------|----------------------------|--|---|
| BOOK 3E | 139 | CV-I0401  | MONTEREY CORRIDOR      | W ALMA AVE, CURTNER AVE              | VIADUCT                    | CONSTRUCTION STAGING PLAN-PHASE 1-STAGES 1 & 2 | CALTRAIN/UPRR RELOCATION-STA 149+00 TO 288+00     |
| BOOK 3E | 140 | CV-I0402  | MONTEREY CORRIDOR      | W ALMA AVE, CURTNER AVE              | VIADUCT                    | CONSTRUCTION STAGING PLAN-PHASE 1-STAGES 3     | CALTRAIN/UPRR RELOCATION-STA 149+00 TO 288+00     |
| BOOK 3E | 141 | CV-I0403  | MONTEREY CORRIDOR      | W ALMA AVE, CURTNER AVE              | VIADUCT                    | CONSTRUCTION STAGING PLAN-PHASE 2              | CALTRAIN/UPRR RELOCATION-STA 149+00 TO 288+00     |
| BOOK 3E | 142 | CV-I0404  | MONTEREY CORRIDOR      | W ALMA AVE, CURTNER AVE              | VIADUCT                    | CONSTRUCTION STAGING PLAN-PHASE 3              | CALTRAIN/UPRR RELOCATION-STA 149+00 TO 288+00     |
| BOOK 3E | 143 | CV-I0405A | MONTEREY CORRIDOR      | ALMADEN RD                           | VIADUCT                    | CONSTRUCTION STAGING-PHASE 1-STAGE 1           | ALMADEN RD UNDERPASS                              |
| BOOK 3E | 144 | CV-I0405B | MONTEREY CORRIDOR      | ALMADEN RD                           | VIADUCT                    | CONSTRUCTION STAGING-PHASE 1-STAGE 2           | ALMADEN RD UNDERPASS                              |
| BOOK 3E | 145 | CV-I0405C | MONTEREY CORRIDOR      | ALMADEN RD                           | VIADUCT                    | CONSTRUCTION STAGING-PHASE 1-STAGE 3           | ALMADEN RD UNDERPASS                              |
| BOOK 3E | 146 | CV-I0406  | MONTEREY CORRIDOR      | ALMADEN RD                           | VIADUCT                    | CONSTRUCTION STAGING-PHASE 2                   | ALMADEN RD UNDERPASS                              |
| BOOK 3E | 147 | CV-I0407  | MONTEREY CORRIDOR      | ALMADEN RD                           | VIADUCT                    | CONSTRUCTION STAGING-PHASE 3                   | ALMADEN RD UNDERPASS                              |
| BOOK 3E | 148 | CV-I0408  | MONTEREY CORRIDOR      | SR 87, UPRR                          | VIADUCT                    | CONSTRUCTION STAGING-PHASE 1-STAGES 1 & 2      | MODIFY EXISTING ALMADEN EXPRESSWAY OVERHEAD       |
| BOOK 3E | 149 | CV-I0409  | MONTEREY CORRIDOR      | SR 87, UPRR                          | VIADUCT                    | CONSTRUCTION STAGING-PHASE 1-STAGES 3          | MODIFY EXISTING ALMADEN EXPRESSWAY OVERHEAD       |
| BOOK 3E | 150 | CV-I0410  | MONTEREY CORRIDOR      | SR 87, UPRR                          | VIADUCT                    | CONSTRUCTION STAGING-PHASE 2                   | MODIFY EXISTING ALMADEN EXPRESSWAY OVERHEAD       |
| BOOK 3E | 151 | CV-I0411  | MONTEREY CORRIDOR      | SR 87, UPRR                          | VIADUCT                    | CONSTRUCTION STAGING-PHASE 3                   | MODIFY EXISTING ALMADEN EXPRESSWAY OVERHEAD       |
| BOOK 3E | 152 | CV-I0412  | MONTEREY CORRIDOR      | UPRR                                 | VIADUCT                    | CONSTRUCTION STAGING-PHASE 1                   | MODIFY EXISTING CURTNER AVENUE OVERHEAD           |
| BOOK 3E | 153 | CV-I0413  | MONTEREY CORRIDOR      | UPRR                                 | VIADUCT                    | CONSTRUCTION STAGING-PHASES 2 & 3              | MODIFY EXISTING CURTNER AVENUE OVERHEAD           |
| BOOK 3E | 154 | CV-I1001  | MORGAN HILL AND GILROY | N/A                                  | VIADUCT TO DOWNTOWN GILROY | CONSTRUCTION PHASING / STAGING PLAN            | GENERAL NOTES                                     |
| BOOK 3E | 155 | CV-I1002  | MORGAN HILL AND GILROY | BOLSA RD                             | VIADUCT TO DOWNTOWN GILROY | CONSTRUCTION PHASING / STAGING PLAN - STAGE 1  | BLOOMFIELD AVENUE GRADE SEPARATION - SHEET 1 OF 2 |
| BOOK 3E | 156 | CV-I1003  | MORGAN HILL AND GILROY | BLOOMFIELD AVE, SHELDON AVE          | VIADUCT TO DOWNTOWN GILROY | CONSTRUCTION PHASING / STAGING PLAN - STAGE 1  | BLOOMFIELD AVENUE GRADE SEPARATION - SHEET 2 OF 2 |
| BOOK 3E | 157 | CV-I1004  | MORGAN HILL AND GILROY | BLOOMFIELD AVE, BOLSA RD             | VIADUCT TO DOWNTOWN GILROY | CONSTRUCTION PHASING / STAGING PLAN - STAGE 2  | BLOOMFIELD AVENUE GRADE SEPARATION - SHEET 1 OF 2 |
| BOOK 3E | 158 | CV-I1005  | MORGAN HILL AND GILROY | BLOOMFIELD AVE, SHELDON AVE          | VIADUCT TO DOWNTOWN GILROY | CONSTRUCTION PHASING / STAGING PLAN - STAGE 2  | BLOOMFIELD AVENUE GRADE SEPARATION - SHEET 2 OF 2 |
| BOOK 3E | 159 | CV-I1006  | MORGAN HILL AND GILROY | BLOOMFIELD AVE, BOLSA RD             | VIADUCT TO DOWNTOWN GILROY | CONSTRUCTION PHASING / STAGING PLAN - STAGE 3  | BLOOMFIELD AVENUE GRADE SEPARATION - SHEET 1 OF 2 |
| BOOK 3E | 160 | CV-I1007  | MORGAN HILL AND GILROY | BLOOMFIELD AVE, SHELDON AVE          | VIADUCT TO DOWNTOWN GILROY | CONSTRUCTION PHASING / STAGING PLAN - STAGE 3  | BLOOMFIELD AVENUE GRADE SEPARATION - SHEET 2 OF 2 |
| BOOK 3E | 161 | CV-I1101  | MORGAN HILL AND GILROY | N/A                                  | VIADUCT TO EAST GILROY     | GENERAL NOTES                                  | CONSTRUCTION PHASING / STAGING PLAN               |
| BOOK 3E | 162 | CV-I1102  | MORGAN HILL AND GILROY | SR 152                               | VIADUCT TO EAST GILROY     | CONSTRUCTION STAGING PLAN - STAGE 1            | SR 152/FRAZIER LAKE RD GRADE SEPARATIONS          |
| BOOK 3E | 163 | CV-I1103  | MORGAN HILL AND GILROY | FRAZIER LAKE RD                      | VIADUCT TO EAST GILROY     | CONSTRUCTION STAGING PLAN - STAGE 1            | SR 152/FRAZIER LAKE RD GRADE SEPARATIONS          |
| BOOK 3E | 164 | CV-I1104  | MORGAN HILL AND GILROY | SR 152, FRAZIER LAKE RD              | VIADUCT TO EAST GILROY     | CONSTRUCTION STAGING PLAN - STAGE 2            | SR 152/FRAZIER LAKE RD GRADE SEPARATIONS          |
| BOOK 3E | 165 | CV-I1105  | MORGAN HILL AND GILROY | SR 152                               | VIADUCT TO EAST GILROY     | CONSTRUCTION STAGING PLAN - STAGE 2            | SR 152/FRAZIER LAKE RD GRADE SEPARATIONS          |
| BOOK 3E | 166 | CV-I1106  | MORGAN HILL AND GILROY | SR 152                               | VIADUCT TO EAST GILROY     | CONSTRUCTION STAGING PLAN - STAGE 2            | SR 152/FRAZIER LAKE RD GRADE SEPARATIONS          |
| BOOK 3E | 167 | CV-I1107  | MORGAN HILL AND GILROY | FRAZIER LAKE ROAD                    | VIADUCT TO EAST GILROY     | CONSTRUCTION STAGING PLAN - STAGE 2            | SR 152/FRAZIER LAKE RD GRADE SEPARATIONS          |
| BOOK 3E | 168 | CV-I1108  | MORGAN HILL AND GILROY | SR 152                               | VIADUCT TO EAST GILROY     | CONSTRUCTION STAGING PLAN - STAGE 3            | SR 152/FRAZIER LAKE RD GRADE SEPARATIONS          |
| BOOK 3E | 169 | CV-I1109  | MORGAN HILL AND GILROY | SR 152                               | VIADUCT TO EAST GILROY     | CONSTRUCTION STAGING PLAN - STAGE 3            | SR 152/FRAZIER LAKE RD GRADE SEPARATIONS          |
| BOOK 3E | 170 | CV-I1110  | MORGAN HILL AND GILROY | SR 152                               | VIADUCT TO EAST GILROY     | CONSTRUCTION STAGING PLAN - STAGE 3            | SR 152/FRAZIER LAKE RD GRADE SEPARATIONS          |
| BOOK 3E | 171 | CV-I1601  | SAN JOAQUIN VALLEY     | N/A                                  | HENRY MILLER ROAD          | CONSTRUCTION STAGING PLAN                      | GENERAL NOTES                                     |
| BOOK 3E | 172 | CV-I1602  | SAN JOAQUIN VALLEY     | INGOMAR GRADE RD AT HENRY MILLER RD  | HENRY MILLER ROAD          | CONSTRUCTION STAGING PLAN                      | HENRY MILLER ROAD GRADE SEPARATION                |
| BOOK 3E | 173 | CV-I1603  | SAN JOAQUIN VALLEY     | HENRY MILLER RD                      | HENRY MILLER ROAD          | CONSTRUCTION STAGING PLAN                      | HENRY MILLER ROAD GRADE SEPARATION                |
| BOOK 3E | 174 | CV-I1604  | SAN JOAQUIN VALLEY     | HENRY MILLER RD AT MERCEY SPRINGS RD | HENRY MILLER ROAD          | CONSTRUCTION STAGING PLAN                      | SR-165 / MERCEY SPRINGS ROAD GRADE SEPARATION     |
| BOOK 3E | 175 | CV-I1605  | SAN JOAQUIN VALLEY     | HENRY MILLER RD AT DELTA RD          | HENRY MILLER ROAD          | CONSTRUCTION STAGING PLAN                      | DELTA ROAD GRADE SEPARATION                       |
| BOOK 3E | 176 | CV-I1606  | SAN JOAQUIN VALLEY     | HENRY MILLER RD AT TURNER ISLAND RD  | HENRY MILLER ROAD          | CONSTRUCTION STAGING PLAN                      | TURNER ISLAND ROAD GRADE SEPARATION               |
| BOOK 3E | 177 | CV-I1607  | SAN JOAQUIN VALLEY     | HENRY MILLER RD AT CARLUCCI RD       | HENRY MILLER ROAD          | CONSTRUCTION STAGING PLAN                      | CARLUCCI ROAD GRADE SEPARATION                    |

**SAN JOSE TO CVY EIR/S: VOLUME III  
ALTERNATIVE 3  
BOOK 3E  
SHEET B**

1/2/2020 12:05:21 PM CAHSRP.tbl CHSR\_Full\_black.plt P:\575 HSR JM C:\V1 - HNTB\06 CAD\Vol\me\_3\CAD\_in\_progress\_JM\JM-GE-A0306.dgn KaiWang


| REV | DATE | BY | CHK | APP | DESCRIPTION |
|-----|------|----|-----|-----|-------------|
|     |      |    |     |     |             |
|     |      |    |     |     |             |
|     |      |    |     |     |             |
|     |      |    |     |     |             |
|     |      |    |     |     |             |

|             |
|-------------|
| DESIGNED BY |
| DRAWN BY    |
| CHECKED BY  |
| IN CHARGE   |
| DATE        |

**RECORD PEPD  
SUBMITTAL**

**MAY 3, 2019**

**NOT FOR  
CONSTRUCTION**



1111 Broadway  
9th Floor  
Oakland, CA 94607



**CALIFORNIA**  
High-Speed Rail Authority

**CALIFORNIA HIGH-SPEED TRAIN PROJECT**

**SAN JOSE TO MERCED**

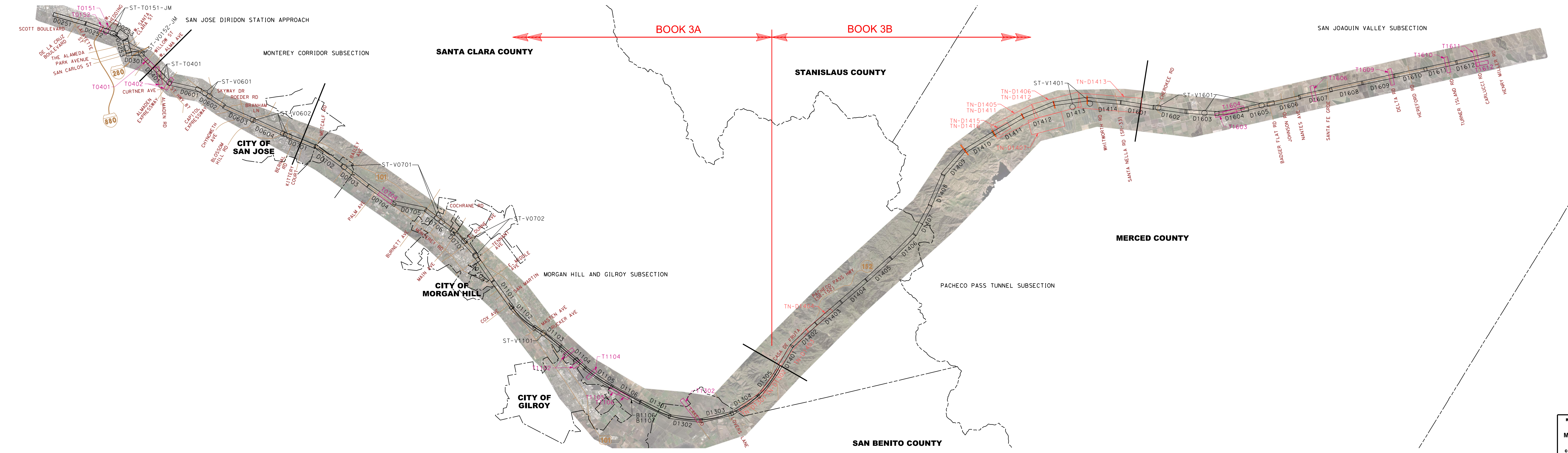
ALTERNATIVE 3  
INDEX OF DRAWING  
SHEET 6 OF 7

|                          |
|--------------------------|
| CONTRACT NO.<br>HSR15-34 |
| DRAWING NO.<br>GE-A0306  |
| SCALE<br>NONE            |
| SHEET NO.                |



**ALTERNATIVE 3 BOOK INDEX**

- BOOK 3A: COMPOSITE PLAN, PROFILE AND CROSS SECTIONS
- BOOK 3B: COMPOSITE PLAN, PROFILE AND CROSS SECTIONS, STATIONS
- BOOK 3C: STRUCTURES, ROADWAY
- BOOK 3D: ROADWAY, MAINTENANCE OF WAY, TUNNELS - PACHECO PASS
- BOOK 3E: CONSTRUCTION STAGING
- BOOK 3F: ALIGNMENT DATA TABLES



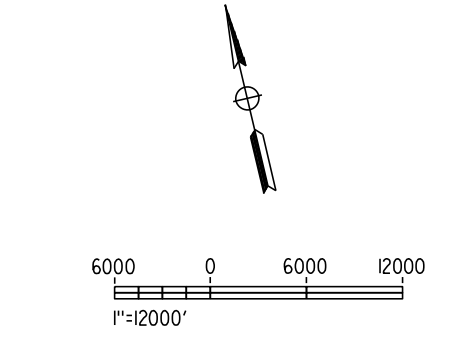
**NOTE:**  
ALTERNATIVE KEY MAP SHOWN SIDE BY SIDE FOR CLARITY.

**LEGEND**

**KEY MAP LEGEND**

- SID-XX AERIAL ORTHO-PHOTO
- DXXXX COMPOSITE ROLL PLOTS
- TXXXX GRADE SEPARATION ROLL PLOTS
- TN-DXXXX TUNNEL ROLL PLOTS
- ST-TXXXX STRUCTURES ROLL PLOTS
- SECTION BREAK
- CITY LIMITS
- COUNTY LINE
- ALMADEN RD EXISTING ROAD

**SAN JOSE TO CVY EIR/S: VOLUME III**  
**ALTERNATIVE 3**  
**BOOK 3E**  
**SHEET C**



|   |   |   |  |  |
|---|---|---|--|--|
| <p>RECORD PREP SUBMITTAL<br/>MAY 3, 2019<br/>NOT FOR CONSTRUCTION</p> | <p><b>HNTB</b></p> <p>1111 Broadway<br/>9th Floor<br/>Oakland, CA 94607</p> | <p>CALIFORNIA High-Speed Rail Authority</p> | <p><b>CALIFORNIA HIGH-SPEED TRAIN PROJECT</b><br/><b>SAN JOSE TO MERCED</b><br/>ALTERNATIVE 3<br/>KEY MAP<br/>COMPOSITE PLAN</p> | <p>CONTRACT NO. HSR15-34<br/>DRAWING NO. CE-D0301<br/>SCALE AS SHOWN<br/>SHEET NO.</p> |
|---|---|---|--|--|

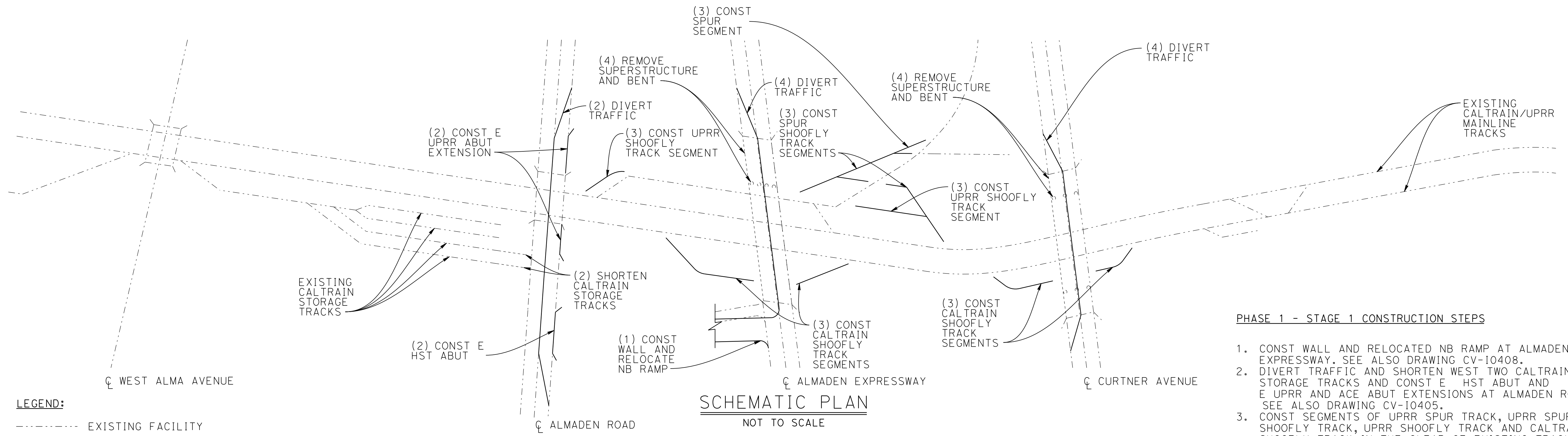
11/17/2018 10:52:23 AM cad9892.tbl C:\p6\proj\constr\11\_17\_2018\_10:52:23 AM CE-D0301 - HNTB\06 CAD\Volume 3\03\_11\_17\_2018\_10:52:23 AM.dwg 2:5:55 pm 2019-05-03 10:52:23 AM





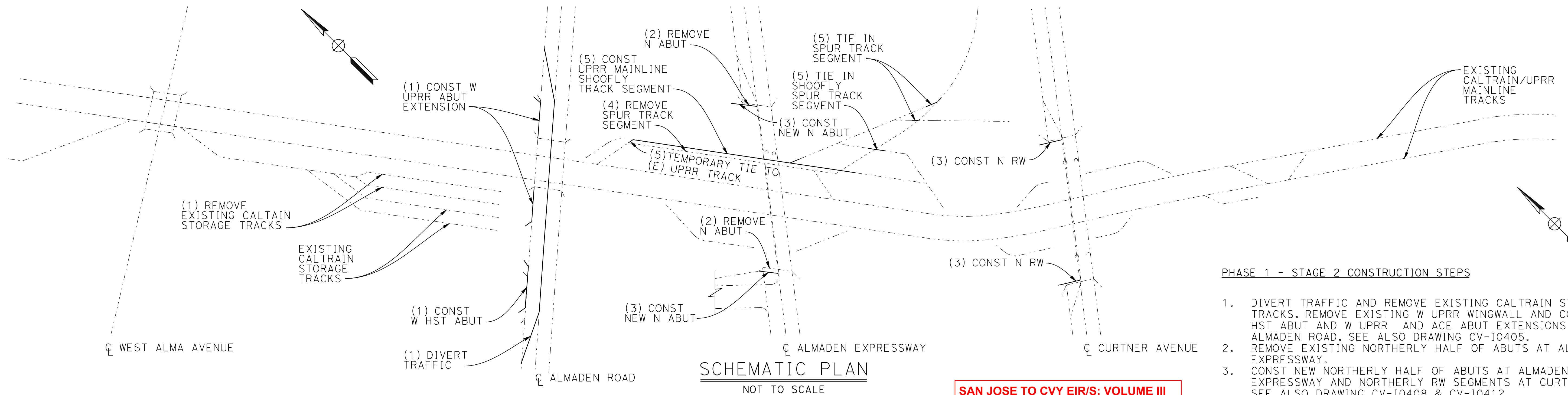


4/30/2019 5:09:12 PM CAHSRP.tbl cvd\_pdf\_bw.pltcfgr c:\voad\1b\pw\rdel\leon\46037\_cahsr\dms18405\JM-CV-10401.dgn



**LEGEND:**  
 - - - - - EXISTING FACILITY  
 ——— NEW CONSTRUCTION  
 - - - - - REMOVAL

- PHASE 1 - STAGE 1 CONSTRUCTION STEPS**
1. CONST WALL AND RELOCATED NB RAMP AT ALMADEN EXPRESSWAY. SEE ALSO DRAWING CV-10408.
  2. DIVERT TRAFFIC AND SHORTEN WEST TWO CALTRAIN STORAGE TRACKS AND CONST E HST ABUT AND E UPRR AND ACE ABUT EXTENSIONS AT ALMADEN ROAD. SEE ALSO DRAWING CV-10405.
  3. CONST SEGMENTS OF UPRR SPUR TRACK, UPRR SHOOFLY TRACK AND CALTRAIN SHOOFLY TRACK IN THE CLEAR OF EXISTING TRACKS.
  4. DIVERT TRAFFIC AND REMOVE NORTHERLY HALF OF SUPERSTRUCTURE AND BENT AT ALMADEN EXPRESSWAY AND CURTNER AVE. SEE ALSO DRAWING CV-10408 & CV-10412.



- PHASE 1 - STAGE 2 CONSTRUCTION STEPS**
1. DIVERT TRAFFIC AND REMOVE EXISTING CALTRAIN STORAGE TRACKS. REMOVE EXISTING W UPRR WINGWALL AND CONST W HST ABUT AND W UPRR AND ACE ABUT EXTENSIONS AT ALMADEN ROAD. SEE ALSO DRAWING CV-10405.
  2. REMOVE EXISTING NORTHERLY HALF OF ABUTS AT ALMADEN EXPRESSWAY.
  3. CONST NEW NORTHERLY HALF OF ABUTS AT ALMADEN EXPRESSWAY AND NORTHERLY RW SEGMENTS AT CURTNER AVE. SEE ALSO DRAWING CV-10408 & CV-10412.
  4. REMOVE SEGMENTS OF UPRR SPUR TRACK.
  5. CONST SEGMENTS OF UPRR SHOOFLY TRACK, TIE IN END OF UPRR SHOOFLY SPUR AND RELOCATED UPRR SPUR AND OPEN TO SERVICE.

**SAN JOSE TO CVY EIR/S: VOLUME III  
 ALTERNATIVE 3  
 BOOK 3E  
 SHEET 139 OF 216**

| REV | DATE | BY | CHK | APP | DESCRIPTION |
|-----|------|----|-----|-----|-------------|
|     |      |    |     |     |             |
|     |      |    |     |     |             |
|     |      |    |     |     |             |
|     |      |    |     |     |             |

DESIGNED BY  
 DRAWN BY  
 CHECKED BY  
 IN CHARGE  
 IN CHARGE  
 DATE MM/DD/YYYY

**RECORD PEPD  
 SUBMITTAL**  
  
**MAY 3, 2019**  
  
**NOT FOR  
 CONSTRUCTION**

**HNTB** 1111 Broadway  
 9th Floor  
 Oakland, CA 94607

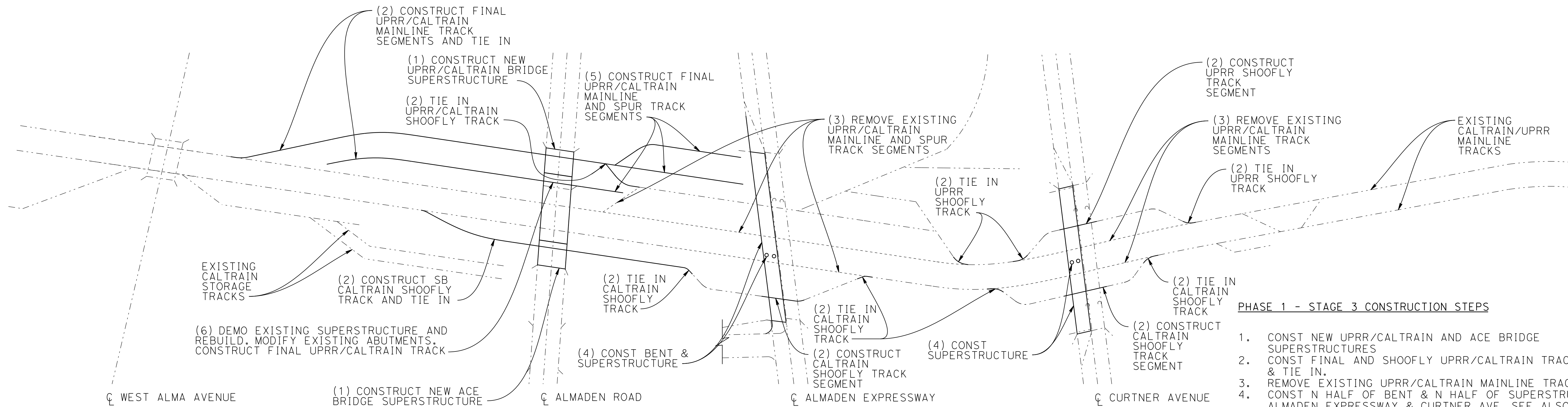


**CALIFORNIA HIGH-SPEED TRAIN PROJECT**  
**SAN JOSE TO MERCED**  
 MONTEREY CORRIDOR  
 VIADUCT  
 CONSTRUCTION STAGING PLAN-PHASE 1-STAGES 1 & 2  
 CALTRAIN/UPRR RELOCATION-STA 149+00 TO 288+00

CONTRACT NO. HSR15-34  
 DRAWING NO. CV-10401  
 SCALE AS SHOWN  
 SHEET NO.



4/30/2019 5:09:17 PM CAHSRP.tbl cvd\_pdf\_bw.plt c:\ncadd\lib\pwr\del\leon\46037\_cahsr\dms18405\JM-CV-10402.dgn

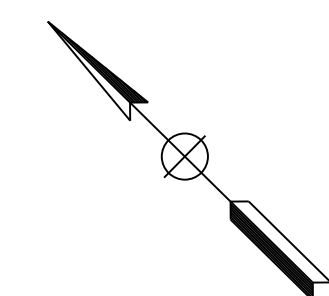


- LEGEND:**
- EXISTING FACILITY
  - NEW CONSTRUCTION
  - REMOVAL

**SCHMATIC PLAN**  
 NOT TO SCALE  
**PHASE 1 STAGE 3**

**PHASE 1 - STAGE 3 CONSTRUCTION STEPS**

1. CONST NEW UPRR/CALTRAIN AND ACE BRIDGE SUPERSTRUCTURES
2. CONST FINAL AND SHOOFLY UPRR/CALTRAIN TRACK SEGMENTS & TIE IN.
3. REMOVE EXISTING UPRR/CALTRAIN MAINLINE TRACK SEGMENTS.
4. CONST N HALF OF BENT & N HALF OF SUPERSTRUCTURE AT ALMADEN EXPRESSWAY & CURTNER AVE. SEE ALSO DRAWING CV-10409 & CV-10412.
5. CONSTRUCT FINAL UPRR/CALTRAIN MAINLINE TRACK & SPUR TRACK SEGMENTS N OF ALMADEN EXPRESSWAY AND ALMADEN ROAD.
6. REMOVE EXISTING SUPERSTRUCTURE AND REBUILD. MODIFY EXISTING ABUTMENTS. CONSTRUCT FINAL UPRR/CALTRAIN TRACK.



**SAN JOSE TO CVY EIR/S: VOLUME III**  
**ALTERNATIVE 3**  
**BOOK 3E**  
**SHEET 140 OF 216**

| REV | DATE | BY | CHK | APP | DESCRIPTION |
|-----|------|----|-----|-----|-------------|
|     |      |    |     |     |             |
|     |      |    |     |     |             |
|     |      |    |     |     |             |
|     |      |    |     |     |             |
|     |      |    |     |     |             |

|             |
|-------------|
| DESIGNED BY |
| DRAWN BY    |
| CHECKED BY  |
| IN CHARGE   |
| DATE        |

**RECORD PEPD**  
**SUBMITTAL**  
  
**MAY 3, 2019**  
  
**NOT FOR**  
**CONSTRUCTION**

**HNTB**

1111 Broadway  
 9th Floor  
 Oakland, CA 94607

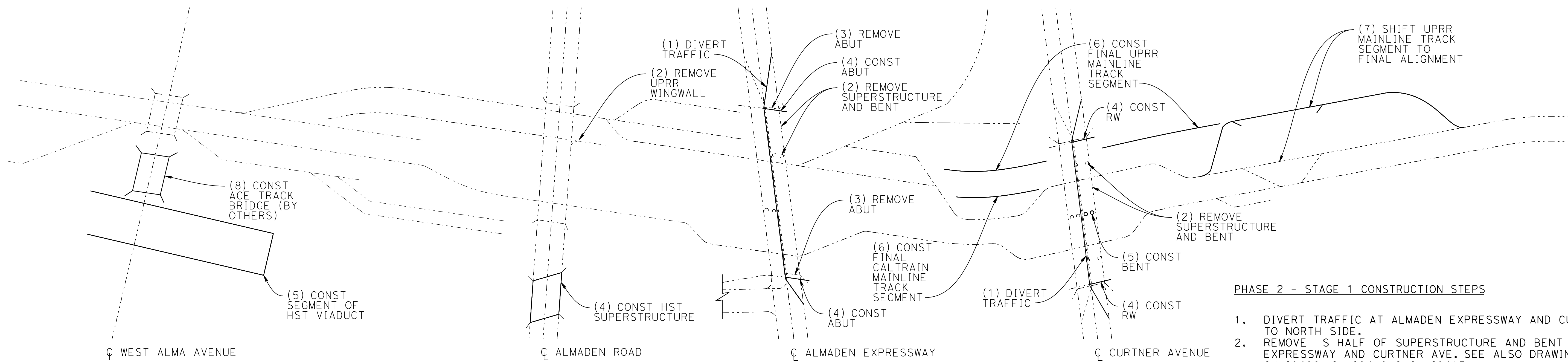
**CALIFORNIA**  
 High-Speed Rail Authority

**CALIFORNIA HIGH-SPEED TRAIN PROJECT**  
**SAN JOSE TO MERCED**  
 MONTEREY CORRIDOR  
 VIADUCT  
 CONSTRUCTION STAGING PLAN-PHASE 1-STAGES 3  
 CALTRAIN/UPRR RELOCATION-STA 149+00 TO 288+00

|              |          |
|--------------|----------|
| CONTRACT NO. | HSR15-34 |
| DRAWING NO.  | CV-10402 |
| SCALE        | AS SHOWN |
| SHEET NO.    |          |



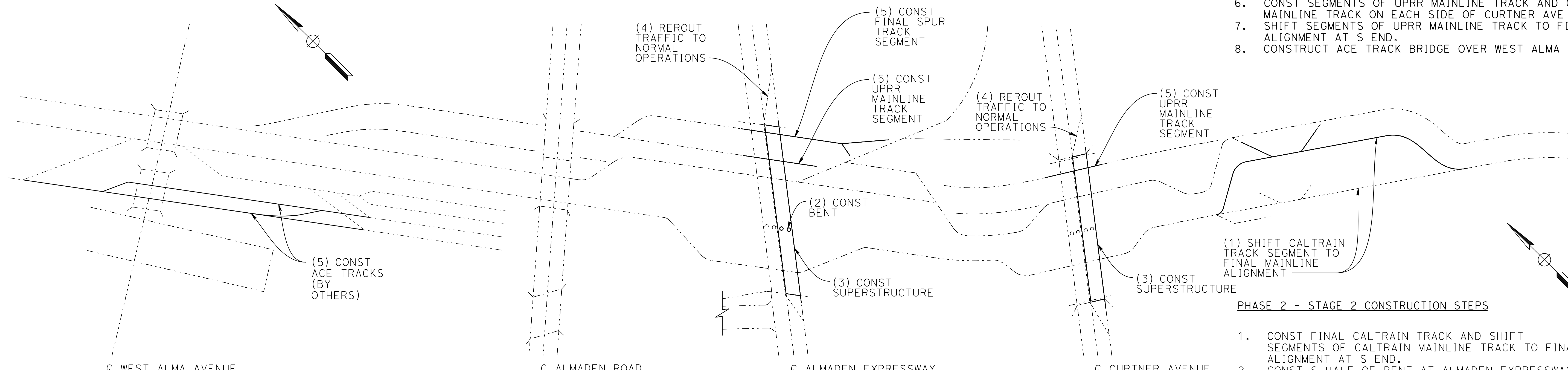
4/30/2019 5:09:22 PM CAHSRP.tbl c:\p\cd\1b\pwr\del\leon\46037\_cv-10403.dgn  
 c:\p\cd\1b\pwr\del\leon\46037\_cv-10403.dgn  
 c:\p\cd\1b\pwr\del\leon\46037\_cv-10403.dgn  
 c:\p\cd\1b\pwr\del\leon\46037\_cv-10403.dgn



**LEGEND:**  
 - - - - - EXISTING FACILITY  
 ——— NEW CONSTRUCTION  
 - - - - - REMOVAL

**SCHMATIC PLAN**  
 NOT TO SCALE  
**PHASE 2 STAGE 1**

- PHASE 2 - STAGE 1 CONSTRUCTION STEPS**
1. DIVERT TRAFFIC AT ALMADEN EXPRESSWAY AND CURTNER AVE TO NORTH SIDE.
  2. REMOVE S HALF OF SUPERSTRUCTURE AND BENT AT ALMADEN EXPRESSWAY AND CURTNER AVE. SEE ALSO DRAWING CV-10406, CV-10410 & CV-10413.
  3. REMOVE S HALF OF ABUTS AT ALMADEN EXPRESSWAY.
  4. CONST HST SUPERSTRUCTURE AT ALMADEN ROAD, CONST S HALF OF ABUTS AT ALMADEN EXPRESSWAY, CONST S RETAINING WALLS AT CURTNER AVE. SEE ALSO DRAWING CV-10406, CV-10410 & CV-10413.
  5. CONST SEGMENT OF HST VIADUCT OVER W ALMA AVE, CONST S HALF OF BENT AT CURTNER AVE.
  6. CONST SEGMENTS OF UPRR MAINLINE TRACK AND CALTRAIN MAINLINE TRACK ON EACH SIDE OF CURTNER AVE
  7. SHIFT SEGMENTS OF UPRR MAINLINE TRACK TO FINAL ALIGNMENT AT S END.
  8. CONSTRUCT ACE TRACK BRIDGE OVER WEST ALMA AVE.



**SCHMATIC PLAN**  
 NOT TO SCALE  
**PHASE 2 STAGE 2**

- PHASE 2 - STAGE 2 CONSTRUCTION STEPS**
1. CONST FINAL CALTRAIN TRACK AND SHIFT SEGMENTS OF CALTRAIN MAINLINE TRACK TO FINAL ALIGNMENT AT S END.
  2. CONST S HALF OF BENT AT ALMADEN EXPRESSWAY.
  3. ERECT S HALF OF SUPERSTRUCTURE AT ALMADEN EXPRESSWAY AND CURTNER AVE. SEE ALSO DRAWING CV-10410 & CV-10413.
  4. REROUT TRAFFIC TO NORMAL OPERATIONS ON ALMADEN EXPRESSWAY AND CURTNER AVE.
  5. CONST SEGMENTS OF UPRR MAINLINE TRACK & SPUR TRACK UNDER ALMADEN EXPRESSWAY & CURTNER AVE. CONSTRUCT SEGMENTS OF TEMPORARY AND FINAL ACE TRACK.

**SAN JOSE TO CVY EIR/S: VOLUME III  
 ALTERNATIVE 3  
 BOOK 3E  
 SHEET 141 OF 216**

| REV | DATE | BY | CHK | APP | DESCRIPTION |
|-----|------|----|-----|-----|-------------|
|     |      |    |     |     |             |
|     |      |    |     |     |             |
|     |      |    |     |     |             |
|     |      |    |     |     |             |

|             |  |
|-------------|--|
| DESIGNED BY |  |
| DRAWN BY    |  |
| CHECKED BY  |  |
| IN CHARGE   |  |
| DATE        |  |

**RECORD PEPD  
 SUBMITTAL**  
**MAY 3, 2019**  
**NOT FOR  
 CONSTRUCTION**

**HNTB**  
 1111 Broadway  
 9th Floor  
 Oakland, CA 94607

**CALIFORNIA**  
 High-Speed Rail Authority

**CALIFORNIA HIGH-SPEED TRAIN PROJECT**  
**SAN JOSE TO MERCED**  
 MONTEREY CORRIDOR  
 VIADUCT  
 CONSTRUCTION STAGING PLAN-PHASE 2  
 CALTRAIN/UPRR RELOCATION-STA 149+00 TO 288+00

|              |          |
|--------------|----------|
| CONTRACT NO. | HSR15-34 |
| DRAWING NO.  | CV-10403 |
| SCALE        | AS SHOWN |
| SHEET NO.    |          |





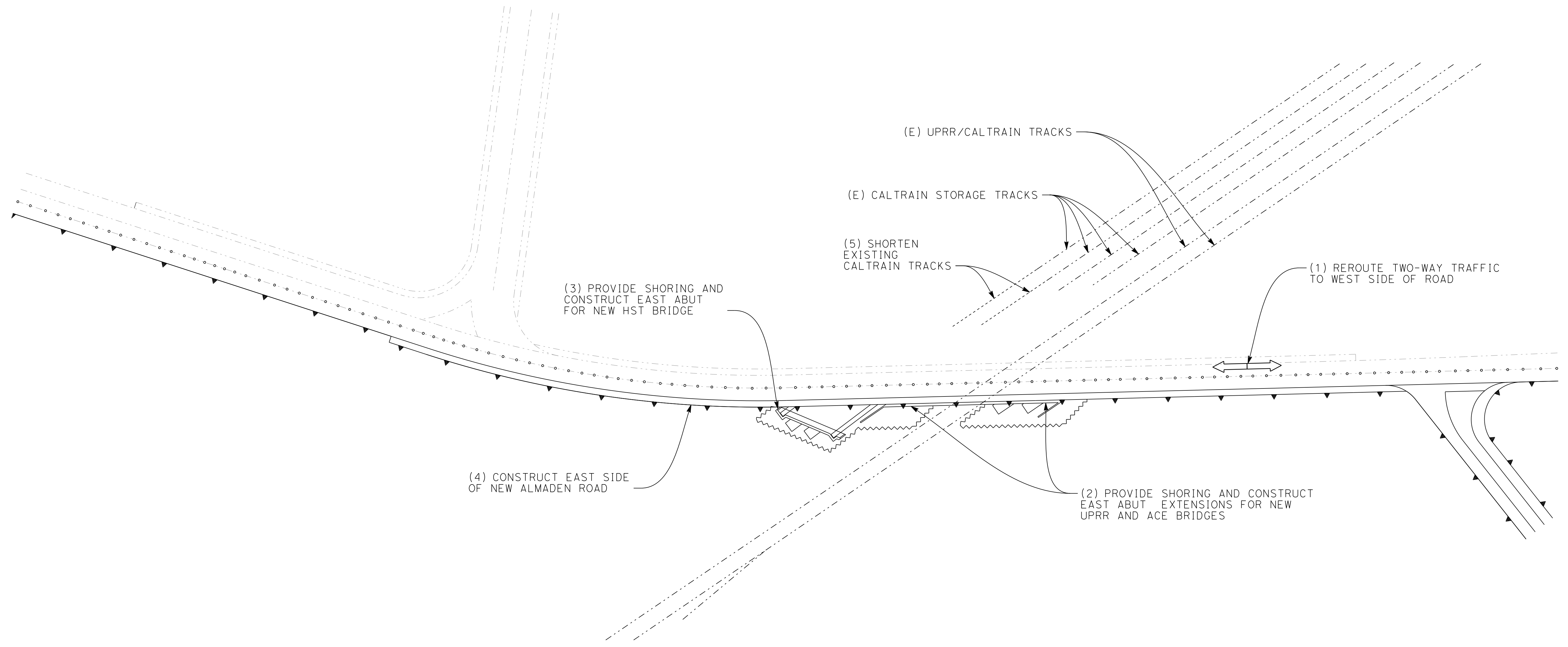


**LEGEND:**

- EXISTING FACILITY
- NEW CONSTRUCTION
- REMOVAL
- ➔ INDICATES DIRECTION OF TRAFFIC AND NUMBER OF LANES

**PHASE 1 - STAGE 1 CONSTRUCTION STEPS (SEE ALSO DRAWING CV-I0401)**

1. CLOSE NORTHBOUND LANE AND REROUTE TO TWO-WAY TRAFFIC ON SOUTHBOUND LANE. PROVIDE FLAG-MEN OR AUTOMATED SIGNALIZATION AS REQUIRED.
2. PROVIDE TEMPORARY SHORING AND CONSTRUCT EAST ABUTMENTS FOR NEW CALTRAIN AND ACE BRIDGES.
3. PROVIDE TEMPORARY SHORING AND CONSTRUCT EAST ABUTMENT FOR HST BRIDGE
4. CONSTRUCT EAST SIDE OF NEW ALMADEN ROAD AND RETAINING WALL.
5. SHORTEN EXISTING CALTRAIN STORAGE TRACKS



SAN JOSE TO CVY EIR/S: VOLUME III  
 ALTERNATIVE 3  
 BOOK 3E  
 SHEET 143 OF 216

4/30/2019 5:09:34 PM CAHSRP.tbl c:\vadd11b\pw\rdel\leon\46037\_cahsr\dms18405\JM-CV-I0405A.dgn

| REV | DATE | BY | CHK | APP | DESCRIPTION |
|-----|------|----|-----|-----|-------------|
|     |      |    |     |     |             |
|     |      |    |     |     |             |
|     |      |    |     |     |             |
|     |      |    |     |     |             |

|             |  |
|-------------|--|
| DESIGNED BY |  |
| DRAWN BY    |  |
| CHECKED BY  |  |
| IN CHARGE   |  |
| DATE        |  |

**RECORD PEPD  
 SUBMITTAL**  
  
**MAY 3, 2019**  
  
**NOT FOR  
 CONSTRUCTION**

HNTB

1111 Broadway  
9th Floor  
Oakland, CA 94607

CALIFORNIA

High-Speed Rail Authority

**CALIFORNIA HIGH-SPEED TRAIN PROJECT**  
**SAN JOSE TO MERCED**  
 MONTEREY CORRIDOR  
 VIADUCT  
 CONSTRUCTION STAGING-PHASE 1-STAGE 1  
 ALMADEN RD UNDERPASS

|              |           |
|--------------|-----------|
| CONTRACT NO. | HSR15-34  |
| DRAWING NO.  | CV-I0405A |
| SCALE        | AS SHOWN  |
| SHEET NO.    |           |

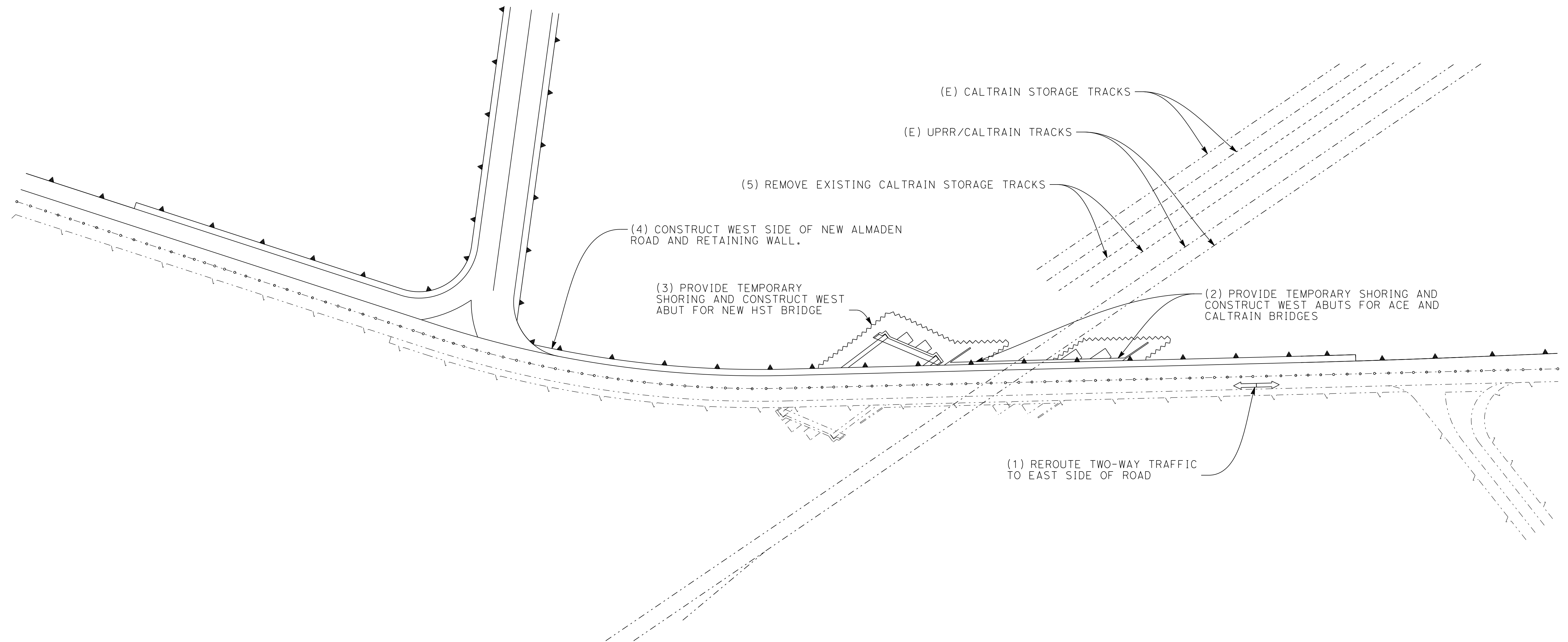


**LEGEND:**

- EXISTING FACILITY
- NEW CONSTRUCTION
- REMOVAL
- ➔ INDICATES DIRECTION OF TRAFFIC AND NUMBER OF LANES

**PHASE 1 - STAGE 2 CONSTRUCTION STEPS (SEE ALSO DRAWING CV-I0401)**

1. REROUTE TO TWO-WAY TRAFFIC ON NORTHBOUND LANE. PROVIDE FLAG-MEN OR AUTOMATED SIGNALIZATION AS REQUIRED.
2. PROVIDE TEMPORARY SHORING AND CONSTRUCT WEST ABUTMENTS FOR NEW CALTRAIN AND ACE BRIDGES.
3. PROVIDE TEMPORARY SHORING AND CONSTRUCT WEST ABUTMENT FOR HST BRIDGE.
4. CONSTRUCT WEST SIDE OF NEW ALMADEN ROAD AND RETAINING WALL.
5. REMOVE EXISTING CALTRAIN STORAGE TRACKS.



**SAN JOSE TO CVY EIR/S: VOLUME III**  
**ALTERNATIVE 3**  
**BOOK 3E**  
**SHEET 144 OF 216**

4/30/2019 5:09:41 PM CAHSRP.tbl cvd\_pdf\_bw.plt c:\ncadd\1b\pw\rdel\leon\46037\_cahsr\dms18405\JM-CV-I0405B.dgn

| REV | DATE | BY | CHK | APP | DESCRIPTION |
|-----|------|----|-----|-----|-------------|
|     |      |    |     |     |             |
|     |      |    |     |     |             |
|     |      |    |     |     |             |
|     |      |    |     |     |             |

|             |  |
|-------------|--|
| DESIGNED BY |  |
| DRAWN BY    |  |
| CHECKED BY  |  |
| IN CHARGE   |  |
| DATE        |  |

RECORD PEPP  
 SUBMITTAL  
  
 MAY 3, 2019  
  
 NOT FOR  
 CONSTRUCTION

HNTB

1111 Broadway  
9th Floor  
Oakland, CA 94607

CALIFORNIA

High-Speed Rail Authority

CALIFORNIA HIGH-SPEED TRAIN PROJECT  
 SAN JOSE TO MERCED  
 MONTEREY CORRIDOR  
 VIADUCT  
 CONSTRUCTION STAGING-PHASE 1-STAGE 2  
 ALMADEN RD UNDERPASS

|              |           |
|--------------|-----------|
| CONTRACT NO. | HSR15-34  |
| DRAWING NO.  | CV-I0405B |
| SCALE        | AS SHOWN  |
| SHEET NO.    |           |

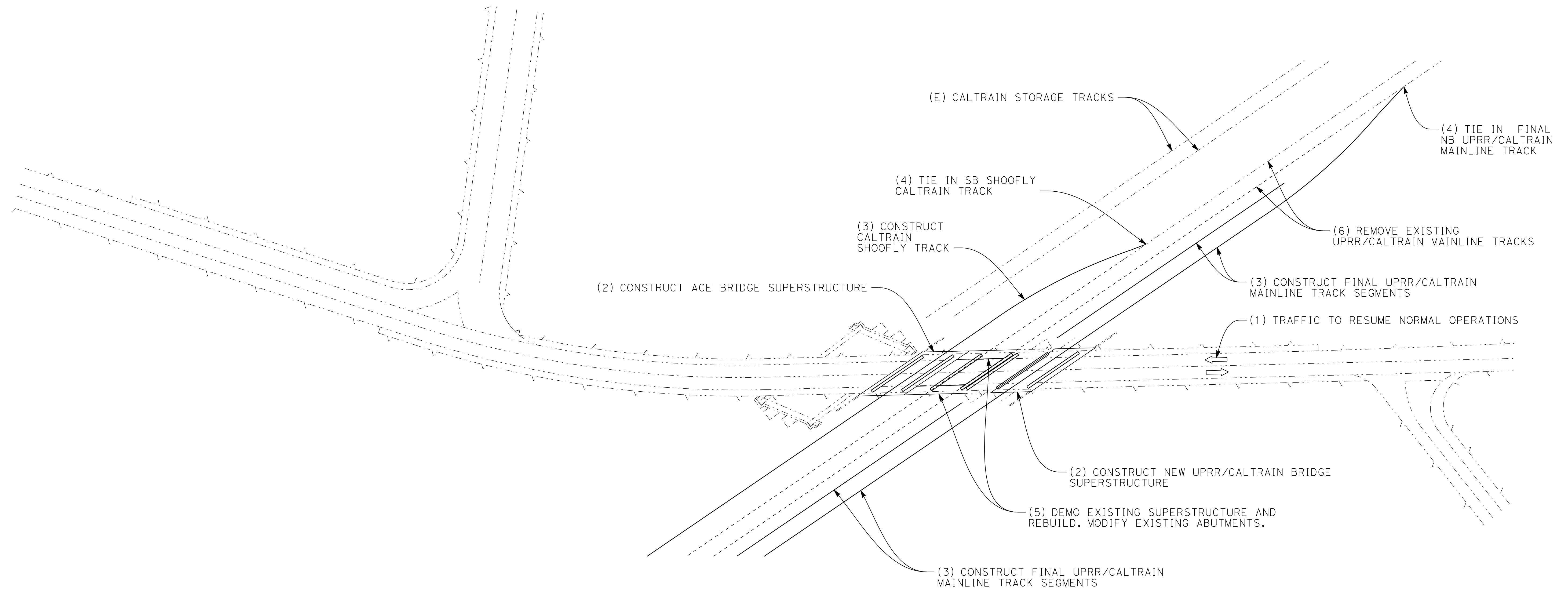


**LEGEND:**

- EXISTING FACILITY
- NEW CONSTRUCTION
- REMOVAL
- ➔ INDICATES DIRECTION OF TRAFFIC AND NUMBER OF LANES

**PHASE 1 - STAGE 3 CONSTRUCTION STEPS (SEE ALSO DRAWING CV-I0401)**

1. ALMADEN RD TRAFFIC TO RESUME NORMAL OPERATIONS.
2. CONSTRUCT PORTIONS OF NEW ACE AND UPRR/CALTRAIN BRIDGE SUPERSTRUCTURES.
3. CONSTRUCT PORTIONS OF FINAL UPRR/CALTRAIN MAINLINE TRACKS AND CALTRAIN SHOOFLY TRACK.
4. SWITCH TRAIN TRAFFIC TO FINAL NB UPRR/CALTRAIN TRACK AND SB CALTRAIN SHOOFLY TRACK.
5. DEMO EXISTING MIDDLE SEGMENT OF SUPERSTRUCTURE AND REBUILD. MODIFY EXISTING ABUTMENT.
6. DEMO EXISTING UPRR/CALTRAIN MAINLINE TRACKS.



**SAN JOSE TO CVY EIR/S: VOLUME III  
 ALTERNATIVE 3  
 BOOK 3E  
 SHEET 145 OF 216**

4/30/2019 5:09:47 PM CAHSRP.tbl cvd\_pdf\_bw.plt c:\ncadd\1b\pw\rdel\leon\46037\_cahsr\dms18405\JM-CV-I0405C.dgn

| REV | DATE | BY | CHK | APP | DESCRIPTION |
|-----|------|----|-----|-----|-------------|
|     |      |    |     |     |             |
|     |      |    |     |     |             |
|     |      |    |     |     |             |
|     |      |    |     |     |             |

|             |  |
|-------------|--|
| DESIGNED BY |  |
| DRAWN BY    |  |
| CHECKED BY  |  |
| IN CHARGE   |  |
| DATE        |  |

**RECORD PEPD  
 SUBMITTAL**  
  
**MAY 3, 2019**  
  
**NOT FOR  
 CONSTRUCTION**

HNTB

1111 Broadway  
9th Floor  
Oakland, CA 94607



**CALIFORNIA HIGH-SPEED TRAIN PROJECT**  
**SAN JOSE TO MERCED**  
 MONTEREY CORRIDOR  
 VIADUCT  
 CONSTRUCTION STAGING-PHASE 1-STAGE 3  
 ALMADEN RD UNDERPASS

|              |           |
|--------------|-----------|
| CONTRACT NO. | HSR15-34  |
| DRAWING NO.  | CV-I0405C |
| SCALE        | AS SHOWN  |
| SHEET NO.    |           |

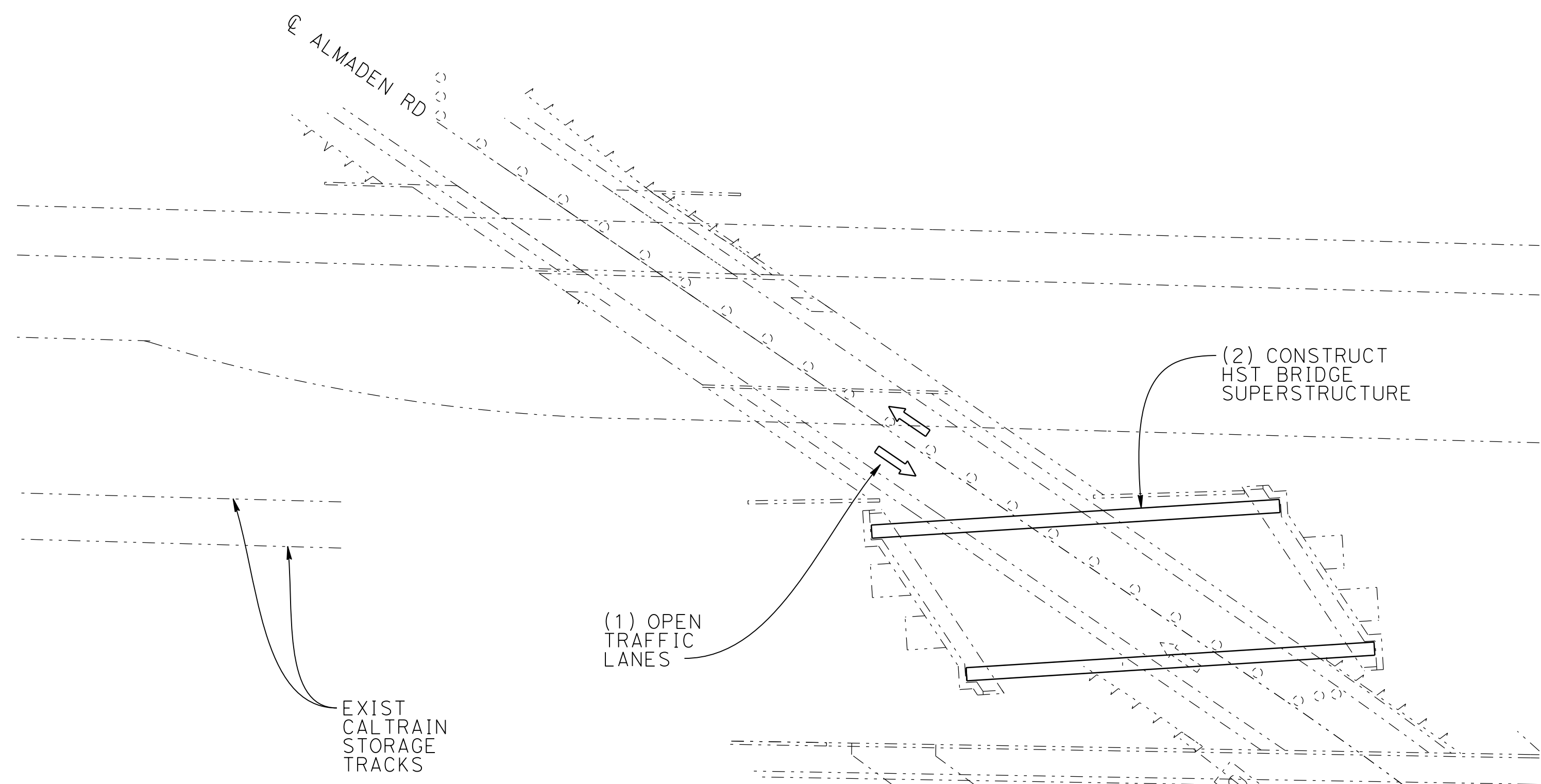


PHASE 2 - STAGE 1 CONSTRUCTION STEPS (SEE ALSO DRAWING CV-10403)

1. OPEN TRAFFIC LANES TO NORMAL FLOW.
2. CONSTRUCT HST BRIDGE SUPERSTRUCTURE. PROVIDE PROTECTION OVER TRAFFIC OR TEMPORARILY CLOSE TO TRAFFIC DURING NECESSARY OPERATIONS.

**LEGEND:**

- EXISTING FACILITY
- NEW CONSTRUCTION
- REMOVAL
- ⇒ INDICATES DIRECTION OF TRAFFIC AND NUMBER OF LANES



PHASE 2 - STAGE 1

SCHEMATIC PLAN

NOT TO SCALE

**SAN JOSE TO CVY EIR/S: VOLUME III  
 ALTERNATIVE 3  
 BOOK 3E  
 SHEET 146 OF 216**

4/30/2019 5:09:53 PM CAHSRP.tbl cvd\_pdf\_bw.plt c:\cadd\lib\pwr\del\leon\46037\_cahsr\dms18405\JM-CV-10406.dgn

| REV | DATE | BY | CHK | APP | DESCRIPTION |
|-----|------|----|-----|-----|-------------|
|     |      |    |     |     |             |
|     |      |    |     |     |             |
|     |      |    |     |     |             |
|     |      |    |     |     |             |

|             |
|-------------|
| DESIGNED BY |
| DRAWN BY    |
| CHECKED BY  |
| IN CHARGE   |
| DATE        |

**RECORD PEPD  
 SUBMITTAL**  
  
**MAY 3, 2019**  
  
**NOT FOR  
 CONSTRUCTION**

**HNTB** 1111 Broadway  
 9th Floor  
 Oakland, CA 94607

**CALIFORNIA**  
 High-Speed Rail Authority

**CALIFORNIA HIGH-SPEED TRAIN PROJECT**  
**SAN JOSE TO MERCED**  
 MONTEREY CORRIDOR  
 VIADUCT  
 CONSTRUCTION STAGING-PHASE 2  
 ALMADEN RD UNDERPASS

|              |          |
|--------------|----------|
| CONTRACT NO. | HSR15-34 |
| DRAWING NO.  | CV-10406 |
| SCALE        | AS SHOWN |
| SHEET NO.    |          |



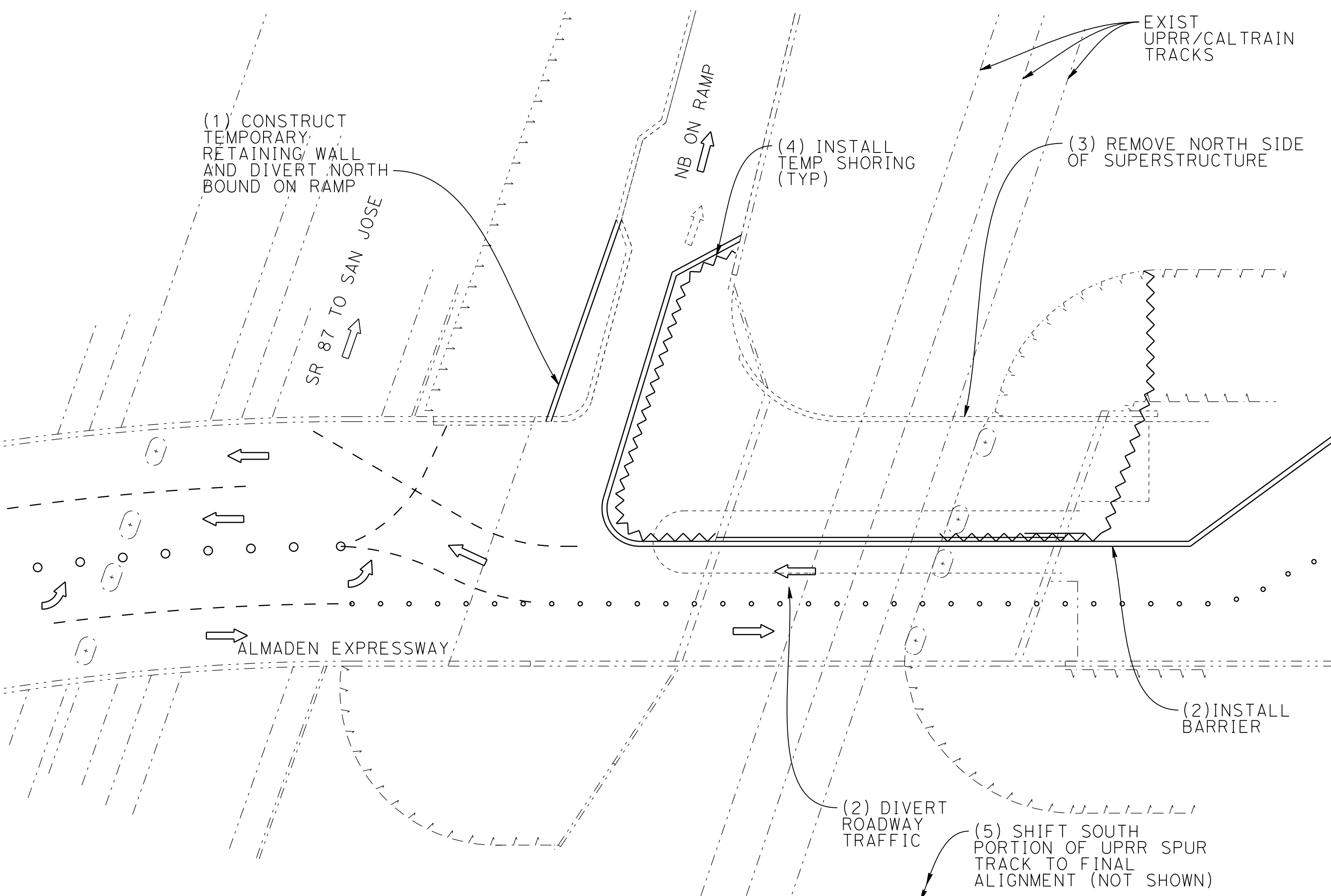


PHASE 1 - STAGE 1 CONSTRUCTION STEPS (SEE ALSO DRAWING CV-10401)

1. CONSTRUCT TEMPORARY RETAINING WALL AND DIVERT NORTHBOUND ON RAMP.
2. DIVERT ROADWAY TRAFFIC TO A SINGLE LANE IN EACH DIRECTION ON SOUTH SIDE OF EXISTING BRIDGE. PROVIDE SINGLE LEFT TURN LANE WEST OF BRIDGE ONTO NB ON RAMP TO SR 87. INSTALL BARRIER.
3. REMOVE SUPERSTRUCTURE OF NORTHERLY HALF OF EXISTING BRIDGE. PLACE TRACK PROTECTION PANELS AND REMOVE SPAN OVER UPRR AND CALTRAIN MAIN LINE TRACKS DURING TWO TRACK TRAIN FREE WEEKEND.
4. PLACE TEMPORARY SHORING ADJACENT TO BOTH EXISTING ABUTMENTS ALONG CENTERLINE OF ALMADEN EXPRESSWAY. PLACE TEMPORARY SHORING BEHIND ABUT 3.
5. CONSTRUCT THE SOUTH MOST SEGMENT OF UPRR SPUR TRACK TO FINAL ALIGNMENT AND TEMPORARY SHOOFLY ALIGNMENT, AND CONSTRUCT SOUTH PORTION OF TEMPORARY UPRR SHOOFLY TRACK IN THE CLEAR OF THE UPRR SPUR OR SPUR SHOOFLY TRACK AND IN THE CLEAR OF EXISTING UPRR MAIN LINE TRACK.

LEGEND:

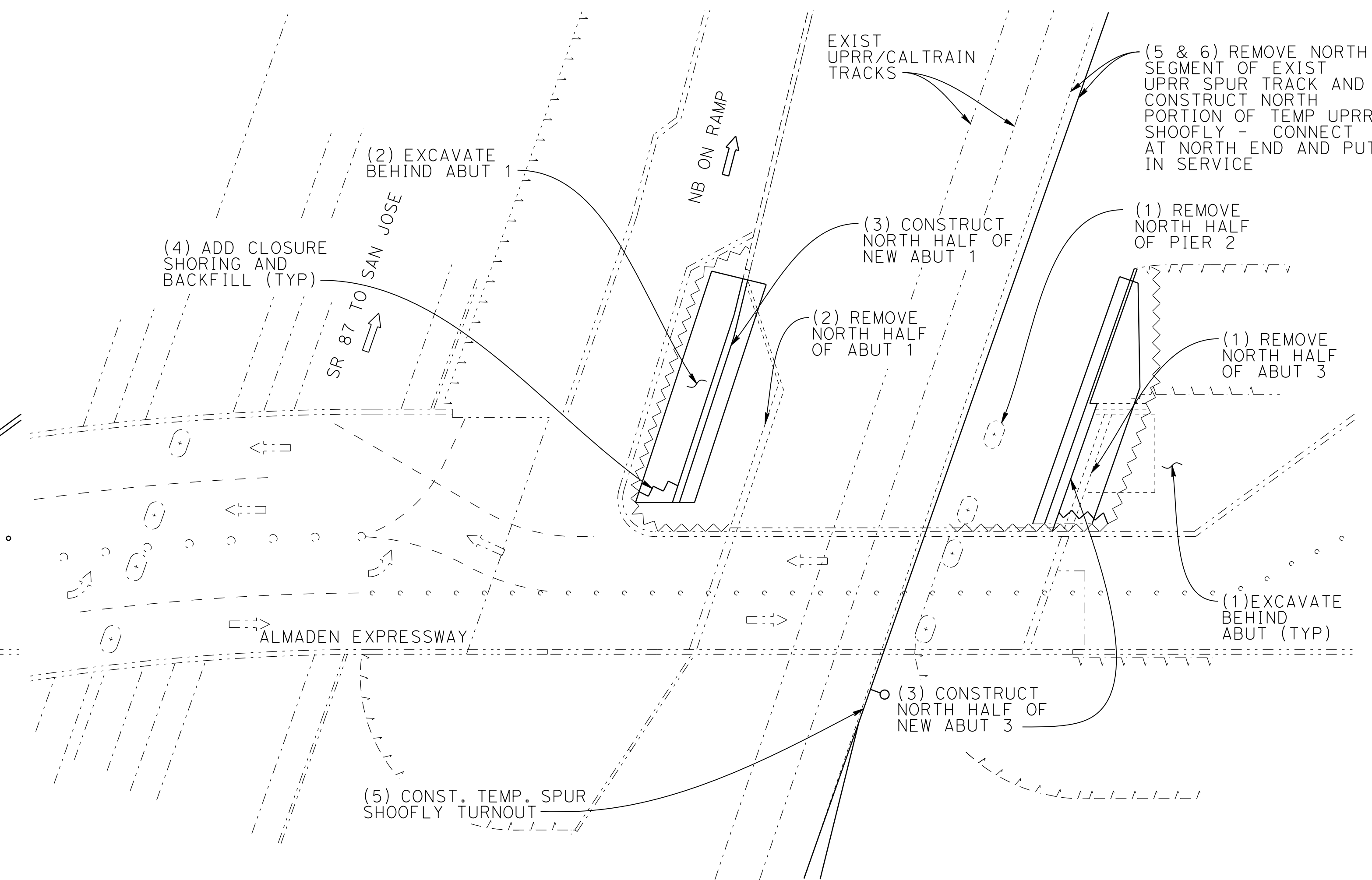
- EXISTING FACILITY
- NEW CONSTRUCTION
- REMOVAL
- ⇒ INDICATES DIRECTION OF TRAFFIC AND NUMBER OF LANES



PHASE 1 - STAGE 1

PHASE 1 - STAGE 2 CONSTRUCTION STEPS (SEE ALSO DRAWING CV-10401)

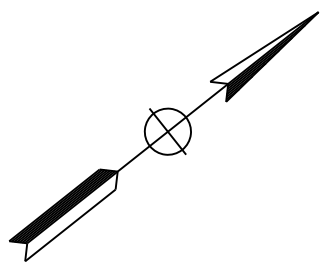
1. REMOVE NORTHERLY HALF OF EXISTING ABUTMENT 3 AND EXISTING FILL IN FRONT OF EXISTING ABUTMENT 3. REMOVE NORTHERLY HALF OF EXISTING BENT 2 DURING UPRR MAIN LINE TRACK TRAIN FREE NIGHTS AND/OR WEEKENDS. EXCAVATE AS REQUIRED FOR CONSTRUCTION OF NORTHERLY HALF OF NEW ABUTMENT 3.
2. REMOVE NORTHERLY HALF OF EXISTING ABUTMENT 1 AND EXISTING FILL BEHIND EXISTING ABUTMENT 1 DURING CALTRAIN MAIN LINE TRACK TRAIN FREE NIGHTS AND/OR WEEKENDS. EXCAVATE AS REQUIRED FOR CONSTRUCTION OF NORTHERLY HALF OF NEW ABUTMENT 1.
3. CONSTRUCT NORTH HALF OF NEW ABUT 3. CONSTRUCT NORTH HALF OF NEW ABUT 1.
4. ADD CLOSURE SHORING AND BACKFILL BEHIND ABUTMENTS.
5. REMOVE NORTH SEGMENT OF EXISTING UPRR SPUR TRACK AND CONSTRUCT NORTH PORTION OF TEMPORARY UPRR SHOOFLY TRACK IN THE CLEAR OF EXISTING UPRR MAIN LINE TRACK INCLUDING TEMPORARY TURNOUT TO UPRR SPUR SHOOFLY TRACK.
6. TIE IN ENDS OF UPRR SPUR TRACK AND UPRR SHOOFLY TRACK DURING TRAIN FREE PERIOD AND OPEN UPRR SPUR SHOOFLY TRACK TO SERVICE.



PHASE 1 - STAGE 2

SCHMATIC PLAN  
NOT TO SCALE

SAN JOSE TO CVY EIR/S: VOLUME III  
ALTERNATIVE 3  
BOOK 3E  
SHEET 148 OF 216



4/30/2019 5:10:51 PM CAHSRP.tbl c:\cadd\1b\pwr\del\leon\46037\_cahsr\dms18405\JM-CV-10408.dgn

| REV | DATE | BY | CHK | APP | DESCRIPTION |
|-----|------|----|-----|-----|-------------|
|     |      |    |     |     |             |
|     |      |    |     |     |             |
|     |      |    |     |     |             |
|     |      |    |     |     |             |

|             |  |
|-------------|--|
| DESIGNED BY |  |
| DRAWN BY    |  |
| CHECKED BY  |  |
| IN CHARGE   |  |
| DATE        |  |

**RECORD PEPD SUBMITTAL**  
**MAY 3, 2019**  
**NOT FOR CONSTRUCTION**

**HNTB** 1111 Broadway  
9th Floor  
Oakland, CA 94607



**CALIFORNIA HIGH-SPEED TRAIN PROJECT**  
**SAN JOSE TO MERCED**  
MONTEREY CORRIDOR  
VIADUCT  
CONSTRUCTION STAGING-PHASE 1-STAGES 1 & 2  
MODIFY EXISTING ALMADEN EXPRESSWAY OVERHEAD

|              |          |
|--------------|----------|
| CONTRACT NO. | HSR15-34 |
| DRAWING NO.  | CV-10408 |
| SCALE        | AS SHOWN |
| SHEET NO.    |          |

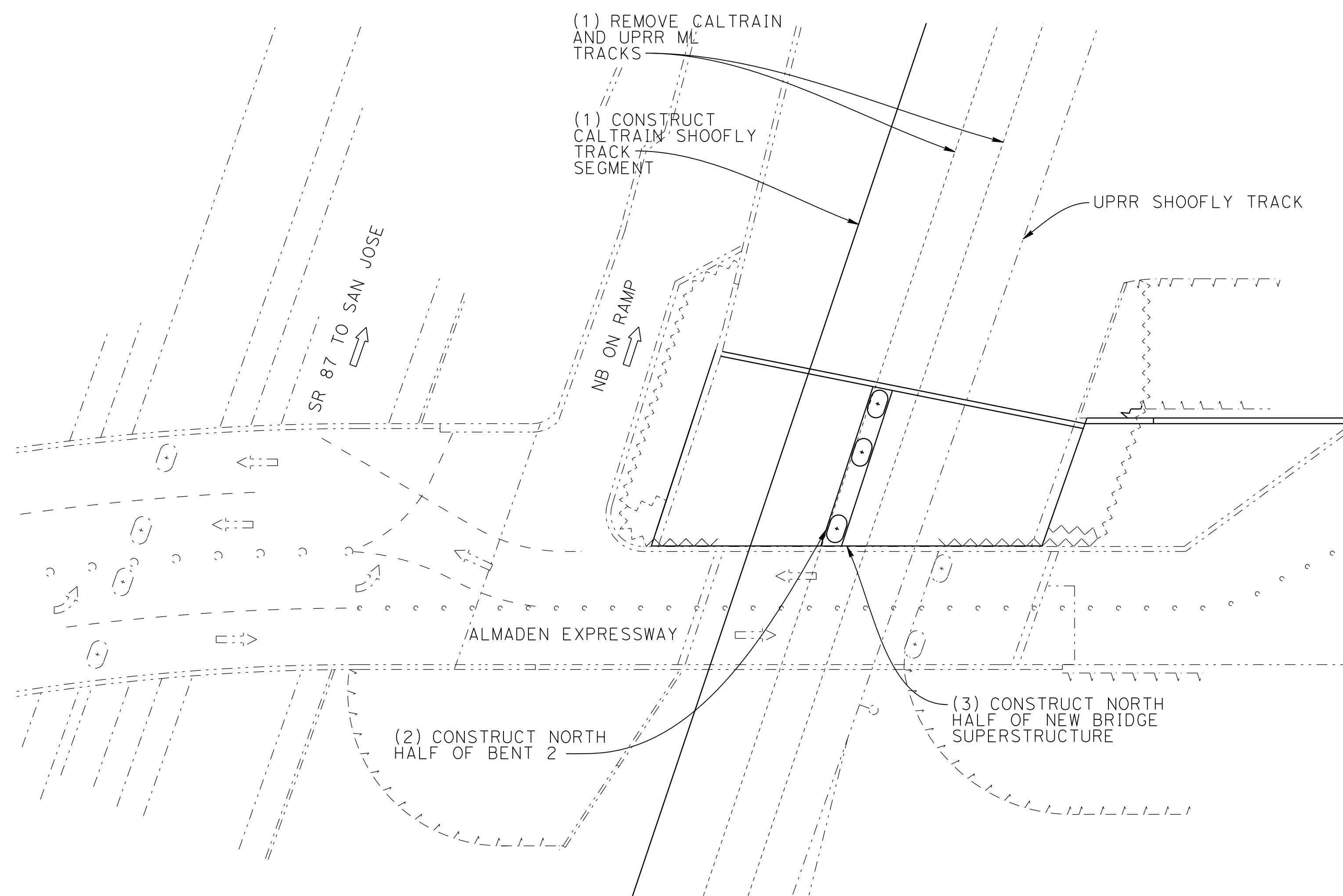


PHASE 1 - STAGE 3 CONSTRUCTION STEPS (SEE ALSO DRAWING CV-10402)

1. CONSTRUCT CALTRAIN SHOOFLY TRACK AND TIE IN DURING TRAIN FREE WEEKEND. REMOVE EXISTING CALTRAIN AND UPRR MAINLINE TRACK.
2. CONSTRUCT NORTH HALF OF NEW BENT 2 DURING UPRR AND CALTRAIN SHOOFLY TRACK TRAIN FREE NIGHTS AND/OR WEEKENDS.
3. CONSTRUCT NORTH HALF OF NEW BRIDGE SUPERSTRUCTURE DURING UPRR AND CALTRAIN SHOOFLY TRACK TRAIN FREE NIGHTS AND/OR WEEKENDS. WORK DURING NORMAL WORK HOURS IS PERMISSIBLE ABOVE TEMPORARY FALSEWORK.

**LEGEND:**

- EXISTING FACILITY
- NEW CONSTRUCTION
- REMOVAL
- ⇒ INDICATES DIRECTION OF TRAFFIC, AND NUMBER OF LANES



PHASE 1 - STAGE 3

SCHEMATIC PLAN  
NOT TO SCALE

**SAN JOSE TO CVY EIR/S: VOLUME III**  
**ALTERNATIVE 3**  
**BOOK 3E**  
**SHEET 149 OF 216**

4/30/2019 5:10:56 PM CAHSRP.tbl c:\vadd11b\pwr\del\leon\46037\_cahsr\dms18405\JM-CV-10409.dgn  
 cvd\_paf\_bw.pltfcg  
 f:\del\leon

| REV | DATE | BY | CHK | APP | DESCRIPTION |
|-----|------|----|-----|-----|-------------|
|     |      |    |     |     |             |
|     |      |    |     |     |             |
|     |      |    |     |     |             |
|     |      |    |     |     |             |

|             |
|-------------|
| DESIGNED BY |
| DRAWN BY    |
| CHECKED BY  |
| IN CHARGE   |
| DATE        |

**RECORD PEPD  
SUBMITTAL**

**MAY 3, 2019**

**NOT FOR  
CONSTRUCTION**

**HNTB**

1111 Broadway  
9th Floor  
Oakland, CA 94607

**CALIFORNIA**  
High-Speed Rail Authority

**CALIFORNIA HIGH-SPEED TRAIN PROJECT**  
**SAN JOSE TO MERCED**

MONTEREY CORRIDOR  
VIADUCT

CONSTRUCTION STAGING-PHASE 1-STAGES 3  
MODIFY EXISTING ALMADEN EXPRESSWAY OVERHEAD

|              |          |
|--------------|----------|
| CONTRACT NO. | HSR15-34 |
| DRAWING NO.  | CV-10409 |
| SCALE        | AS SHOWN |
| SHEET NO.    |          |

PHASE 2 - STAGE 1 CONSTRUCTION STEPS (SEE ALSO DRAWING CV-10403)

1. DIVERT ROADWAY TRAFFIC TO A SINGLE LANE IN EACH DIRECTION ON THE NORTH HALF OF NEW BRIDGE. PROVIDE SINGLE LEFT TURN LANE WEST OF BRIDGE ONTO NB ON RAMP TO SR 87. CLOSE SOUTH HALF OF EXISTING BRIDGE TO ROADWAY TRAFFIC. INSTALL BARRIER.
2. REMOVE SUPERSTRUCTURE OF SOUTH HALF OF EXISTING BRIDGE. PLACE TRACK PROTECTION PANELS AND REMOVE SPAN OVER UPRR AND CALTRAIN SHOOFLY TRACKS DURING TWO TRACK TRAIN FREE WEEKEND.
3. REVERSE TEMPORARY SHORING ADJACENT TO BOTH ABUTMENTS ALONG CENTERLINE OF ROAD TO ACCOMMODATE EXCAVATION ON SOUTH SIDE. INSTALL SHORING BEHIND FOR NEW ABUT 3.
4. REMOVE SOUTH HALF OF EXISTING ABUT 3 AND FILL IN FRONT OF EXISTING ABUT 3. REMOVE SOUTH HALF OF EXISTING BENT 2 DURING UPRR SHOOFLY TRACK TRAIN FREE NIGHTS AND/OR WEEKENDS.
5. REMOVE SOUTH HALF OF EXISTING ABUTMENT 1 AND EXISTING FILL BEHIND EXISTING ABUT 1 DURING SEVERAL CALTRAIN SHOOFLY TRACK TRAIN FREE NIGHTS AND/OR WEEKENDS. EXCAVATE AS REQUIRED FOR CONSTRUCTION OF SOUTH HALF OF NEW ABUTMENT 1.
6. CONSTRUCT SOUTH HALF OF NEW ABUTMENT 3 AND SOUTH HALF OF NEW ABUT 1. BACKFILL BEHIND SOUTH HALF OF NEW ABUTMENT 1 AND ABUTMENT 3.

LEGEND:

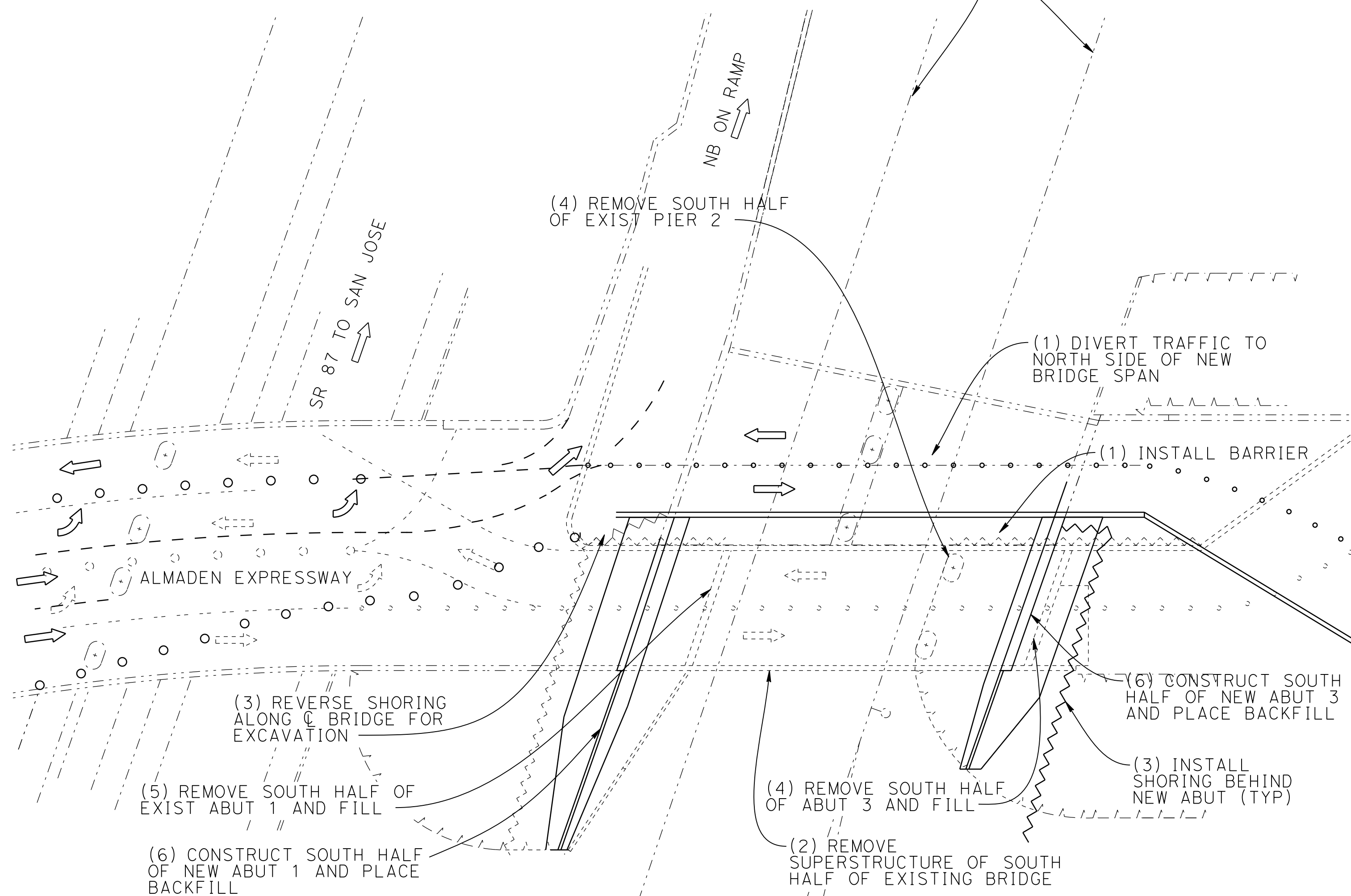
----- EXISTING FACILITY

———— NEW CONSTRUCTION

----- REMOVAL

➔ INDICATES DIRECTION OF TRAFFIC AND NUMBER OF LANES

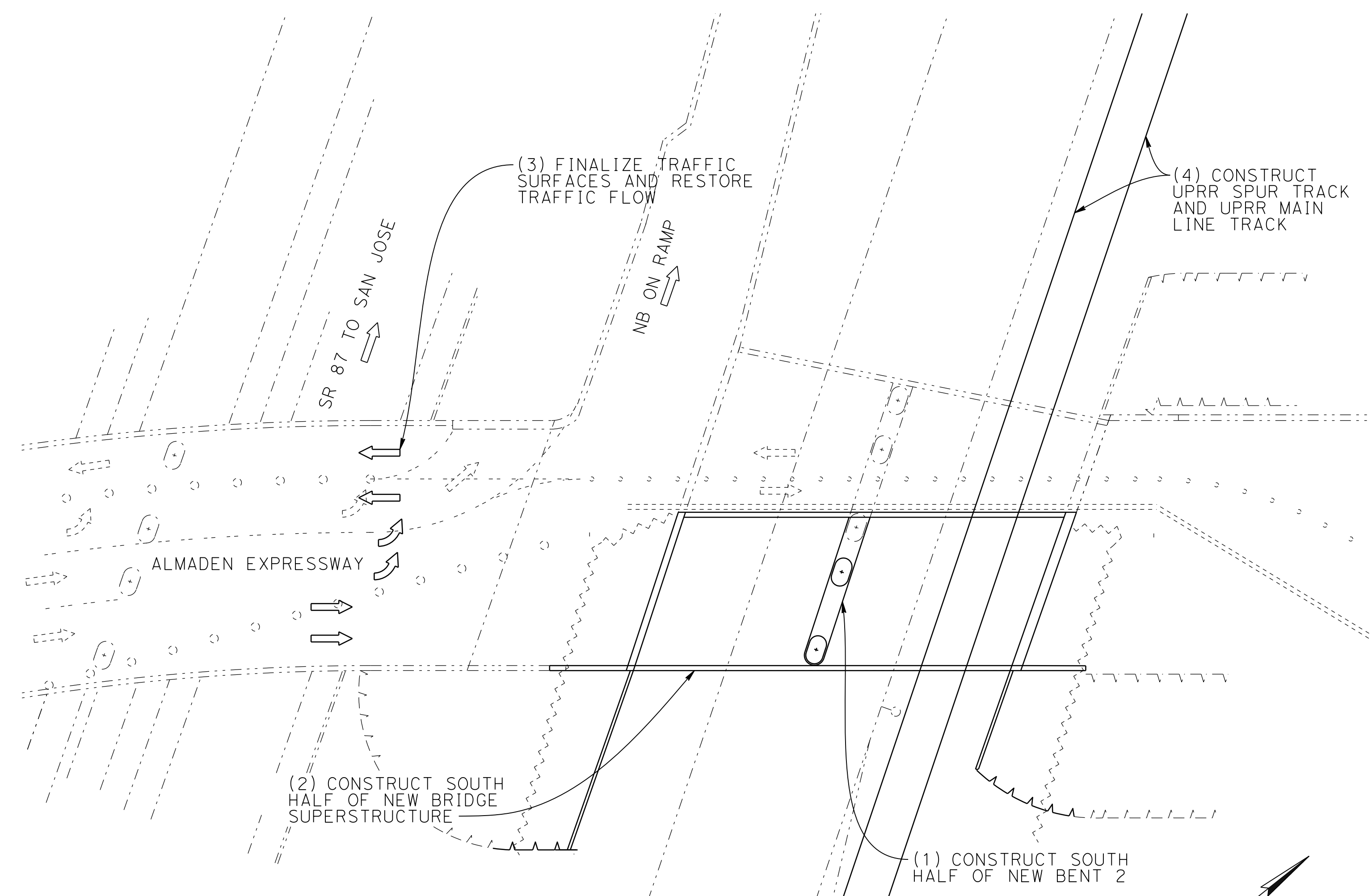
SHOOFLY TRACKS



PHASE 2 - STAGE 1

PHASE 2 - STAGE 2 CONSTRUCTION STEPS (SEE ALSO DRAWING CV-10403)

1. CONSTRUCT SOUTH HALF OF NEW BENT 2 DURING SEVERAL UPRR AND CALTRAIN SHOOFLY TRACK TRAIN FREE NIGHTS AND/OR WEEKENDS.
2. CONSTRUCT SOUTH HALF OF NEW BRIDGE SUPERSTRUCTURE DURING SEVERAL UPRR AND CALTRAIN SHOOFLY TRACK TRAIN FREE NIGHTS AND/OR WEEKENDS. WORK DURING NORMAL HOURS PERMISSIBLE ABOVE TEMPORARY FALSEWORK.
3. CONSTRUCT FINAL ALMADEN EXPRESSWAY AND NB ON RAMP TO SR87 ROADWAY SURFACES AND TRAFFIC SIGNALING AND OPEN ALL ROADWAYS TO TRAFFIC.
4. CONSTRUCT REMAINDER OF UPRR SPUR TRACK AND UPRR MAIN LINE TRACK ON FINAL ALIGNMENTS IN CLEAR OF EXISTING UPRR SHOOFLY TRACK.



PHASE 2 - STAGE 2

SCHEMATIC PLAN

NOT TO SCALE

SAN JOSE TO CVY EIRS: VOLUME III  
ALTERNATIVE 3  
BOOK 3E  
SHEET 150 OF 216

4/30/2019 5:11:01 PM CAHSR.tbl c:\p\cd\1b\pwr\del\leon\46037\_cahsr\dms18405\JM-CV-10410.dgn

| REV | DATE | BY | CHK | APP | DESCRIPTION |
|-----|------|----|-----|-----|-------------|
|     |      |    |     |     |             |
|     |      |    |     |     |             |
|     |      |    |     |     |             |
|     |      |    |     |     |             |

|             |  |
|-------------|--|
| DESIGNED BY |  |
| DRAWN BY    |  |
| CHECKED BY  |  |
| IN CHARGE   |  |
| DATE        |  |

**RECORD PEPD SUBMITTAL**  
**MAY 3, 2019**  
**NOT FOR CONSTRUCTION**



1111 Broadway  
9th Floor  
Oakland, CA 94607



**CALIFORNIA HIGH-SPEED TRAIN PROJECT**  
**SAN JOSE TO MERCED**  
MONTEREY CORRIDOR  
VIADUCT  
CONSTRUCTION STAGING-PHASE 2  
MODIFY EXISTING ALMADEN EXPRESSWAY OVERHEAD

|              |          |
|--------------|----------|
| CONTRACT NO. | HSR15-34 |
| DRAWING NO.  | CV-10410 |
| SCALE        | AS SHOWN |
| SHEET NO.    |          |



**PHASE 3 - STAGE 1 CONSTRUCTION STEPS (SEE ALSO DRAWING CV-10404)**

1. TIE IN UPRR SPUR TRACK AND UPRR MAIN LINE TRACK AT EACH END DURING TRAIN FREE NIGHT AND/OR WEEKEND AND OPEN UPRR SPUR TRACK AND UPRR MAIN LINE TRACK TO SERVICE.
2. REMOVE TEMPORARY UPRR SHOOFLY TRACK AND SPUR SHOOFLY TURNOUT. CONSTRUCT REMAINDER OF CALTRAIN MAIN LINE TRACK ON FINAL ALIGNMENT. TIE IN CALTRAIN MAIN LINE TRACK AT EACH END DURING TRAIN FREE NIGHT AND/OR WEEKEND AND OPEN CALTRAIN MAIN LINE TRACK TO SERVICE.
3. RECONSTRUCT RAMP TO ORIGINAL CONFIGURATION

**PHASE 3 - STAGE 2 CONSTRUCTION STEPS (SEE ALSO DRAWING CV-10404)**

4. CONSTRUCT NB AND SB HST TRACK INCLUDING OCS AND SIGNALS.
5. OPEN HST TRACK TO SERVICE.
6. REMOVE TEMPORARY RETAINING WALL AND RESTORE RAMP

**LEGEND:**

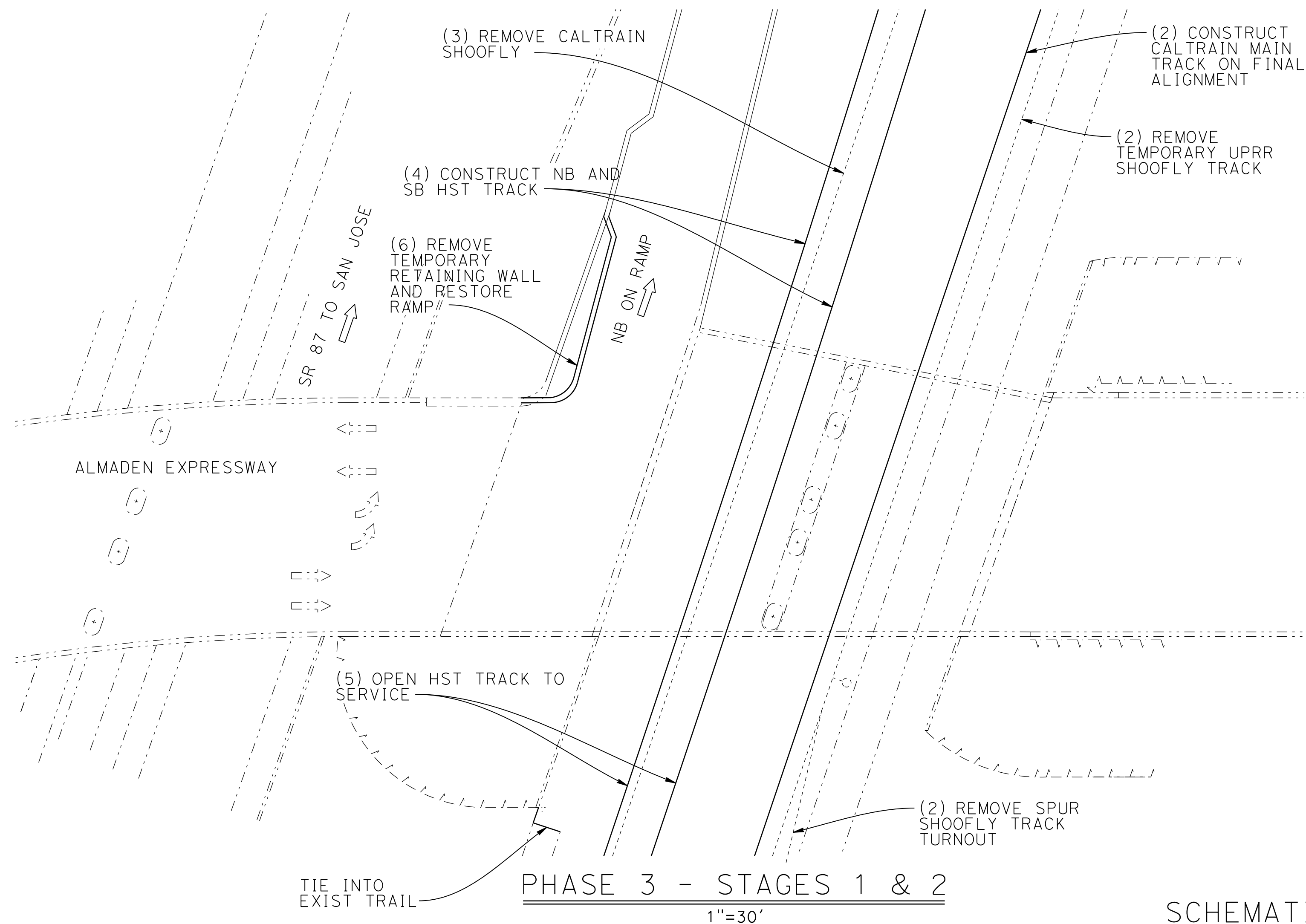
----- EXISTING FACILITY

———— NEW CONSTRUCTION

----- REMOVAL

➡ INDICATES DIRECTION OF TRAFFIC AND NUMBER OF LANES

NOTE: TRAFFIC CONTROL IS SCHEMATIC ONLY. NOT TO SCALE.



TIE INTO EXIST TRAIL  
**PHASE 3 - STAGES 1 & 2**  
 1"=30'

**SCHEMATIC PLAN**  
 NOT TO SCALE

**SAN JOSE TO CVY EIR/S: VOLUME III**  
**ALTERNATIVE 3**  
**BOOK 3E**  
**SHEET 151 OF 216**

4/30/2019 5:11:06 PM CAHSRP.tbl c:\p\del\leon\46037\_cv-10411.dgn  
 c:\p\del\leon\46037\_cv-10411.dgn  
 cvd\_paf\_bw.pltcfgr  
 fdeleon

| REV | DATE | BY | CHK | APP | DESCRIPTION |
|-----|------|----|-----|-----|-------------|
|     |      |    |     |     |             |
|     |      |    |     |     |             |
|     |      |    |     |     |             |
|     |      |    |     |     |             |

|             |  |
|-------------|--|
| DESIGNED BY |  |
| DRAWN BY    |  |
| CHECKED BY  |  |
| IN CHARGE   |  |
| DATE        |  |

**RECORD PEPD SUBMITTAL**  
**MAY 3, 2019**  
**NOT FOR CONSTRUCTION**

**HNTB** 1111 Broadway  
 9th Floor  
 Oakland, CA 94607

**CALIFORNIA**  
 High-Speed Rail Authority

**CALIFORNIA HIGH-SPEED TRAIN PROJECT**  
**SAN JOSE TO MERCED**  
 MONTEREY CORRIDOR  
 VIADUCT  
 CONSTRUCTION STAGING-PHASE 3  
 MODIFY EXISTING ALMADEN EXPRESSWAY OVERHEAD

|              |          |
|--------------|----------|
| CONTRACT NO. | HSR15-34 |
| DRAWING NO.  | CV-10411 |
| SCALE        | AS SHOWN |
| SHEET NO.    |          |

PHASE I - STAGE 1 CONSTRUCTION STEPS (SEE ALSO DRAWING CI6001)

1. DIVERT ROADWAY TRAFFIC TO A SINGLE LANE IN EACH DIRECTION ON THE SOUTHERLY SIDE OF EXISTING BRIDGE.
2. REMOVE APPROACH SPANS OF NORTHERLY HALF OF EXISTING BRIDGE. PLACE TRACK PROTECTION PANELS AND REMOVE NORTHERLY HALF OF SPAN OVER UPRR AND CALTRAIN MAIN LINE TRACKS DURING CALTRAIN/UPRR TRAIN FREE WEEKEND.

PHASE I - STAGE 2 CONSTRUCTION STEPS (SEE ALSO DRAWING CV-I0401)

3. PLACE TEMPORARY SHORING ADJACENT TO BOTH ABUTS ALONG CENTERLINE OF CURTNER AVENUE. PLACE NEW RETAINING WALL IN FRONT OF NORTHERLY SIDE OF ABUT 1 AND ABUT 4.
4. REMOVE NORTHERLY HALF OF EXISTING BENT 2 AND BENT 3 DURING CALTRAIN/UPRR TRAIN FREE NIGHTS AND/OR WEEKENDS. REMOVE FILL IN FRONT OF NORTHERLY ABUTS.

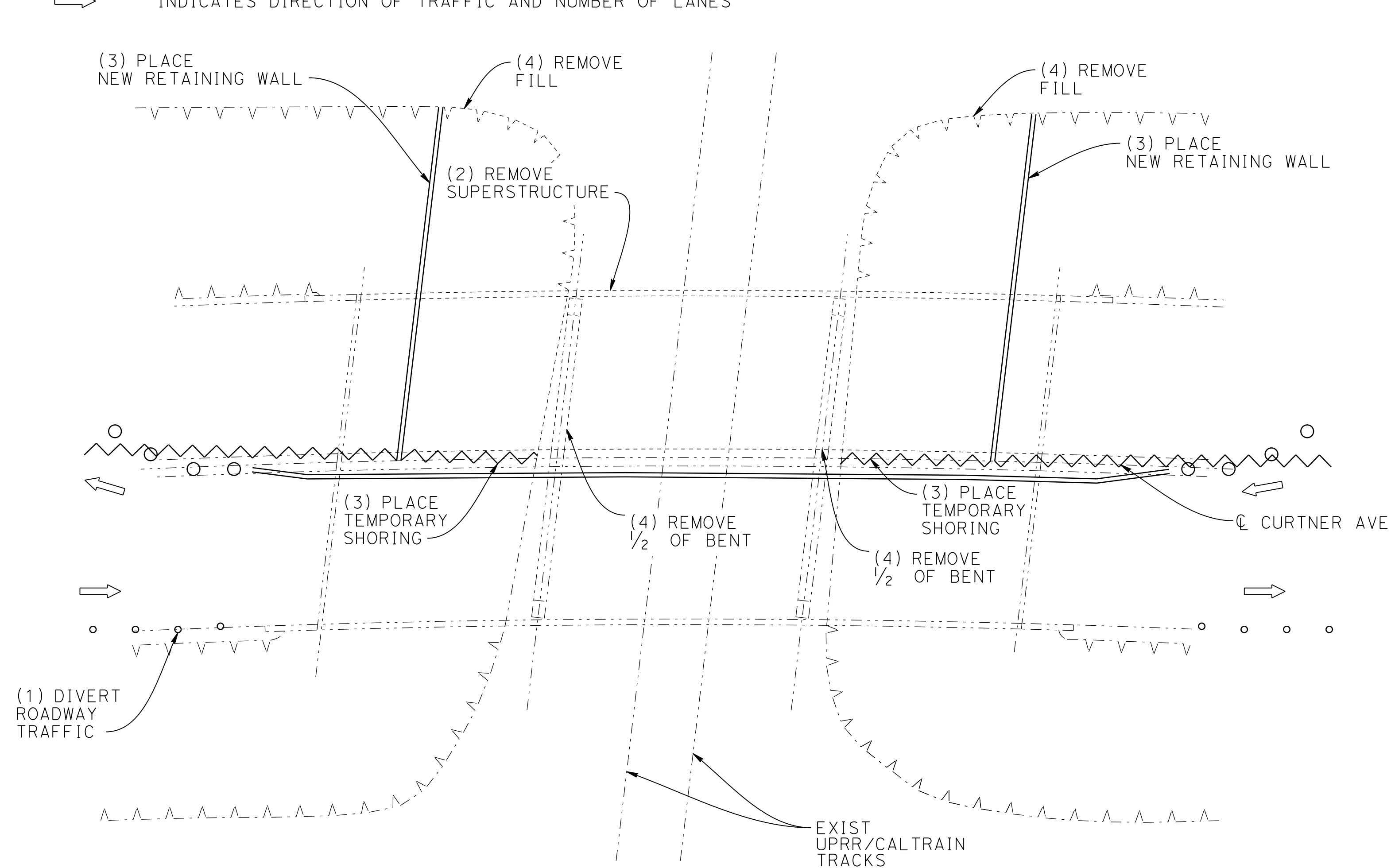
PHASE I - STAGE 3 CONSTRUCTION STEPS (SEE ALSO DRAWING CV-I0401)

1. CONSTRUCT UPRR SHOOFLY TRACK ON FINAL CALTRAIN MAINLINE TRACK ALIGNMENT. TIE IN ENDS OF UPRR SHOOFLY TRACK DURING TRAIN FREE WEEKEND AND BEGIN OPERATIONS ON UPRR SHOOFLY TRACK.
2. CONSTRUCT CALTRAIN SHOOFLY TRACK ON WEST SIDE. TIE IN ENDS DURING TRAIN FREE WEEKEND AND BEGIN OPERATIONS ON CALTRAIN SHOOFLY TRACK.
3. REMOVE EXISTING UPRR AND CALTRAIN MAINLINE TRACKS DURING CALTRAIN/UPRR TRAIN-FREE NIGHTS AND/OR WEEKENDS.
4. MODIFY ABUTMENTS AS REQUIRED AND PLACE NEW NORTHERLY SUPERSTRUCTURE DURING CALTRAIN/UPRR TRAIN FREE NIGHTS AND/OR WEEKENDS.

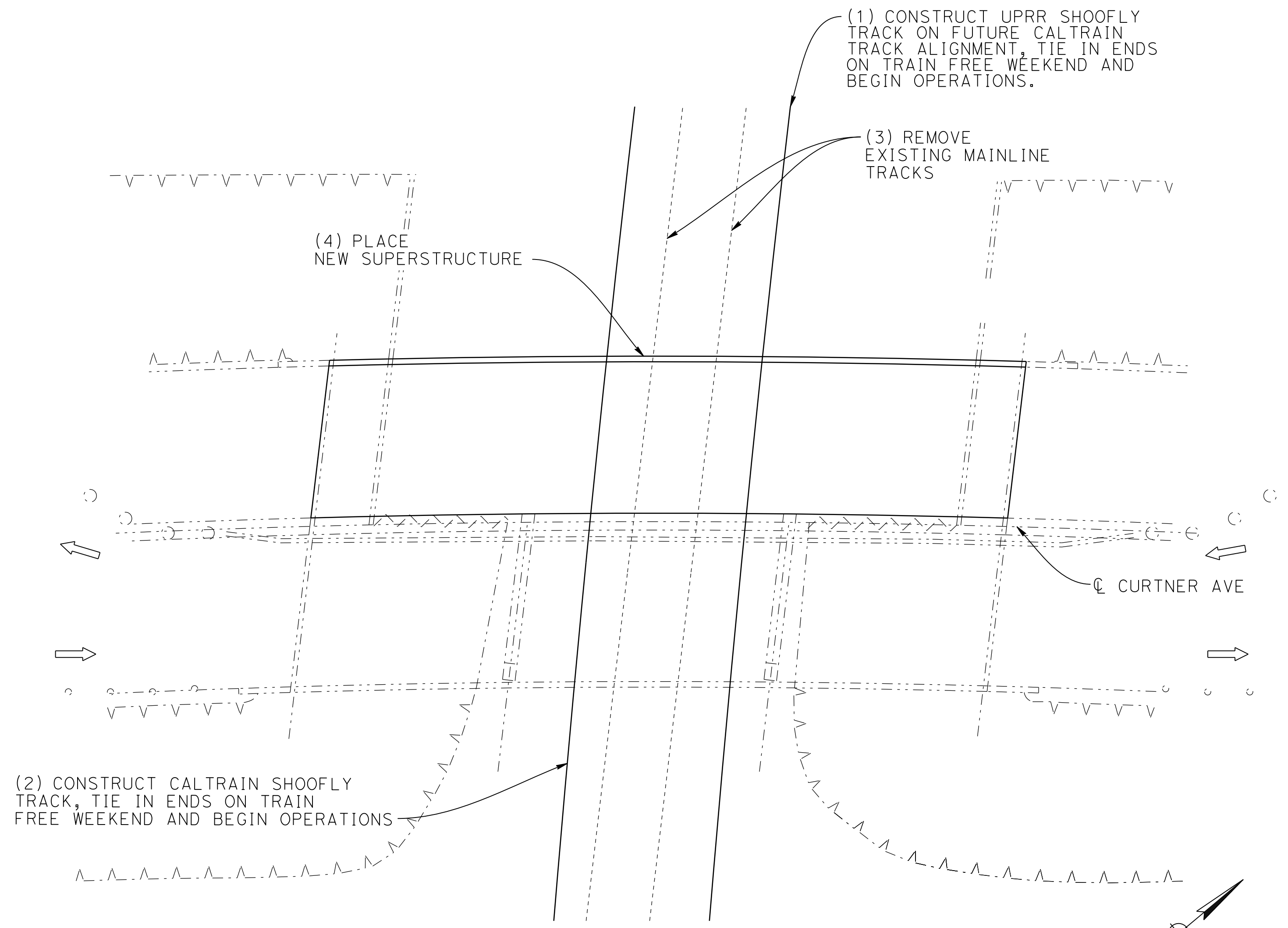
**SAN JOSE TO CVY EIR/S: VOLUME III  
ALTERNATIVE 3  
BOOK 3E  
SHEET 152 OF 216**

**LEGEND:**

- EXISTING FACILITY
- NEW CONSTRUCTION
- REMOVAL
- ⇒ INDICATES DIRECTION OF TRAFFIC AND NUMBER OF LANES

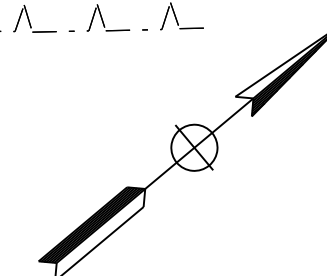


PHASE 1 - STAGES 1 & 2



PHASE 1 - STAGE 3

SCHEMATIC PLAN  
NOT TO SCALE



4/30/2019 5:11:11 PM CAHSRP.tbl c:\p\leon\46037\_cv-i0412.dgn

| REV | DATE | BY | CHK | APP | DESCRIPTION |
|-----|------|----|-----|-----|-------------|
|     |      |    |     |     |             |
|     |      |    |     |     |             |
|     |      |    |     |     |             |
|     |      |    |     |     |             |

|             |  |
|-------------|--|
| DESIGNED BY |  |
| DRAWN BY    |  |
| CHECKED BY  |  |
| IN CHARGE   |  |
| DATE        |  |

**RECORD PEPD  
SUBMITTAL**

**MAY 3, 2019**

**NOT FOR  
CONSTRUCTION**

**HNTB**

1111 Broadway  
9th Floor  
Oakland, CA 94607

**CALIFORNIA**  
High-Speed Rail Authority

**CALIFORNIA HIGH-SPEED TRAIN PROJECT**

**SAN JOSE TO MERCED**

MONTEREY CORRIDOR  
VIADUCT  
CONSTRUCTION STAGING-PHASE 1  
MODIFY EXISTING CURTNER AVENUE OVERHEAD

|              |          |
|--------------|----------|
| CONTRACT NO. | HSR15-34 |
| DRAWING NO.  | CV-I0412 |
| SCALE        | AS SHOWN |
| SHEET NO.    |          |



PHASE 2 - STAGE 1 CONSTRUCTION STEPS (SEE ALSO DRAWING CI6003)

1. DIVERT ROADWAY TRAFFIC TO ONE LANE IN EACH DIRECTION ON NORTHERLY SIDE OF NEW BRIDGE.
2. REMOVE APPROACH SPANS OF SOUTHERLY HALF OF EXISTING BRIDGE. PLACE TRACK PROTECTION PANELS AND REMOVE SPAN OVER SHOOFLY TRACKS DURING TRAIN FREE WEEKEND.
3. PLACE NEW RETAINING WALL IN FRONT OF SOUTHERLY SIDE OF ABUT 1 AND ABUT 4.
4. REMOVE SOUTHERLY HALF OF EXISTING BENT 2 AND BENT 3 DURING CALTRAIN/UPRR MAIN LINE TRAIN FREE NIGHTS AND/OR WEEKENDS. REMOVE FILL AND TEMPORARY SHORING IN FRONT OF SOUTHERLY ABUTS.

PHASES 2 - STAGE 2 CONSTRUCTION STEPS (SEE ALSO DRAWING CV-I0402)

1. MODIFY ABUTMENTS AS REQUIRED AND PLACE NEW SOUTHERLY SUPERSTRUCTURE DURING UPRR/CALTRAIN TRAIN FREE NIGHTS AND/OR WEEKENDS.
2. REROUT ROADWAY TRAFFIC TO NORMAL OPERATIONS ACROSS NEW BRIDGE.
3. CONSTRUCT UPRR MAINLINE TRACK ON FINAL ALIGNMENT.

PHASES 3 - STAGE 1 CONSTRUCTION STEPS (SEE ALSO DRAWING CV-I0403)

4. TIE IN ENDS DURING TRAIN FREE WEEKEND AND BEGIN NORMAL OPERATIONS ON UPRR MAINLINE TRACK.
5. CONSTRUCT CALTRAIN MAINLINE TRACK AT EACH END OF UPRR SHOOFLY TRACK. TIE IN ENDS DURING TRAIN FREE WEEKEND AND BEGIN NORMAL OPERATIONS ON CALTRAIN MAINLINE TRACK.
6. REMOVE CALTRAIN SHOOFLY TRACK

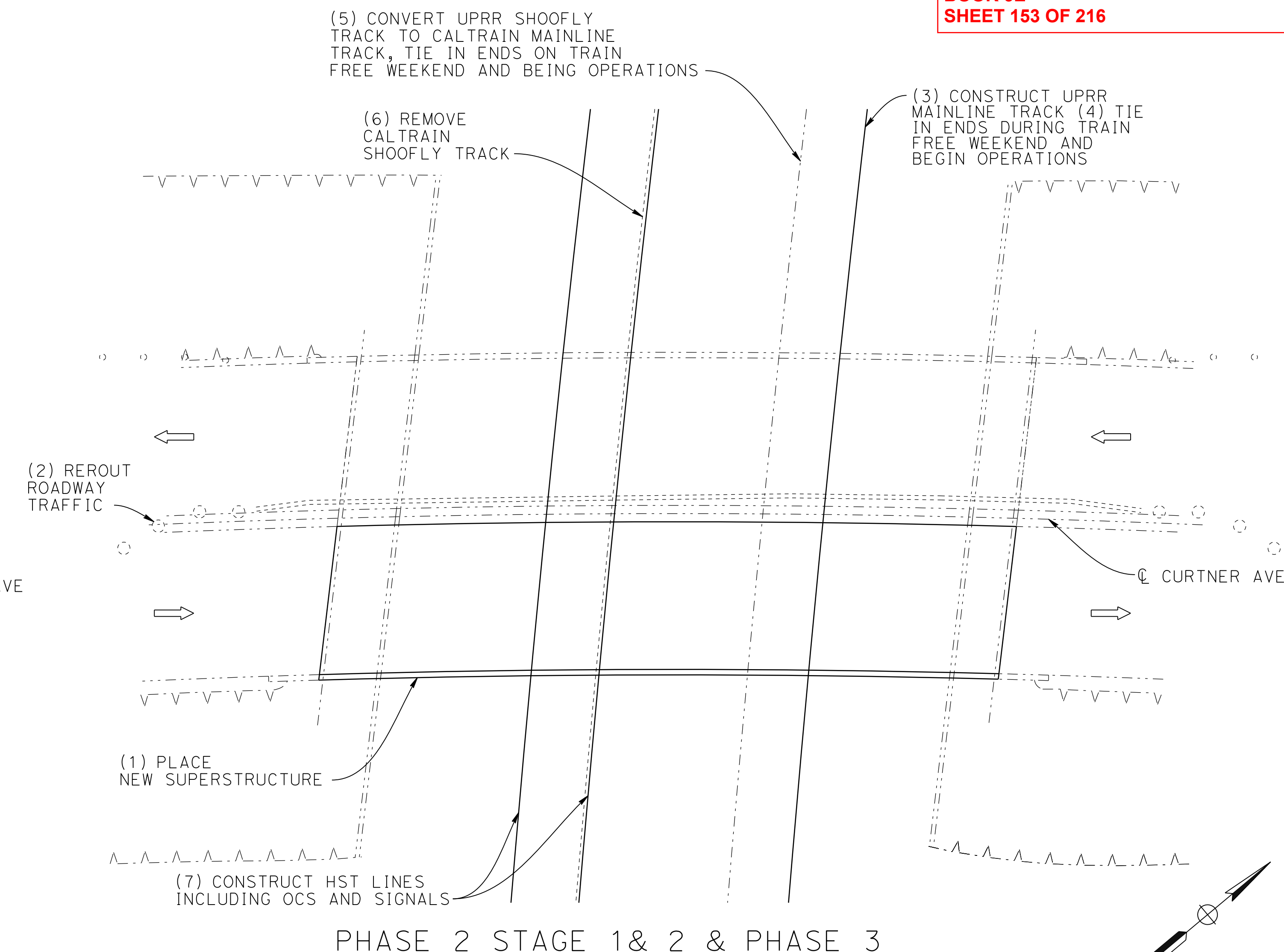
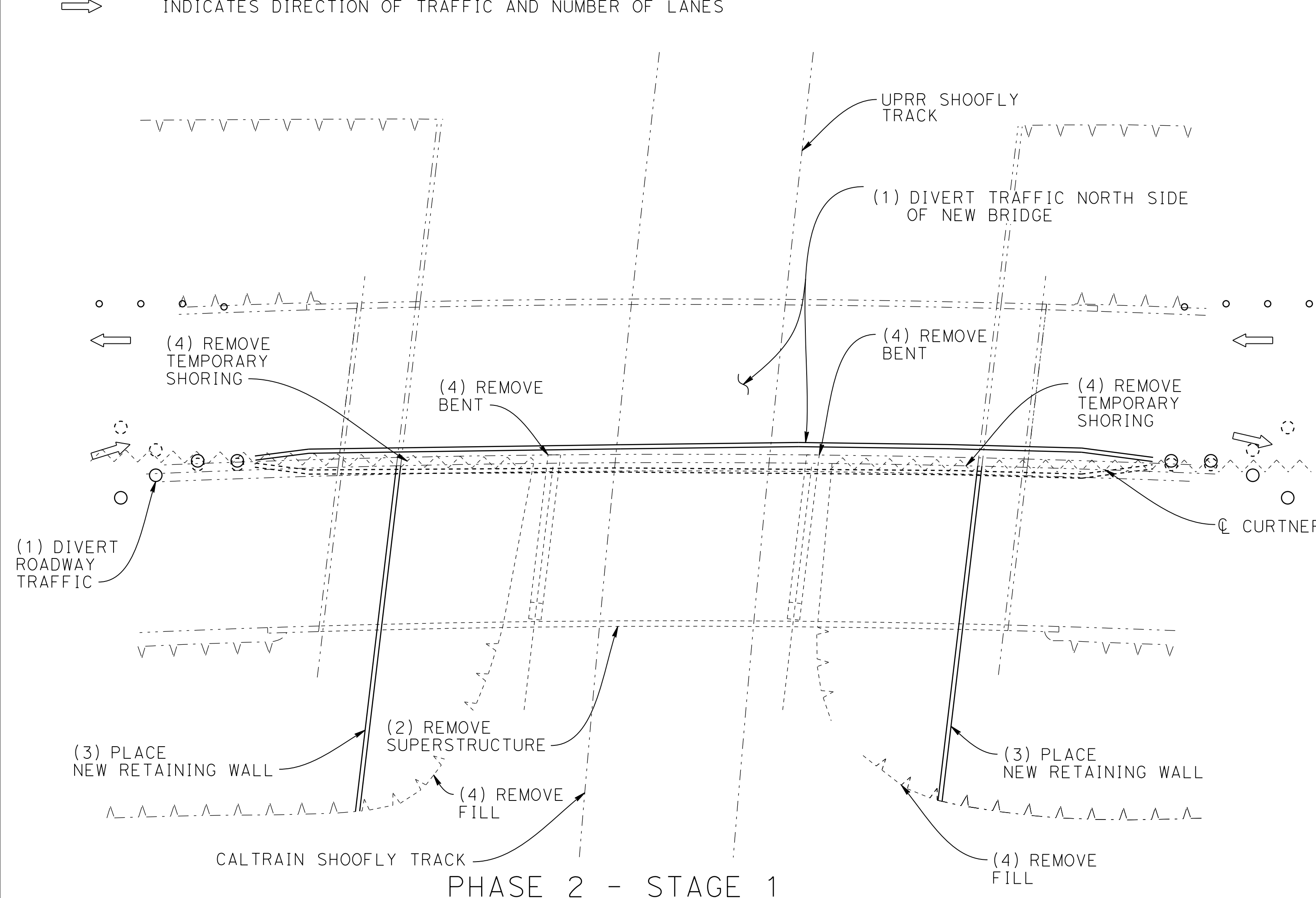
PHASES 3 - STAGE 2 CONSTRUCTION STEP (SEE ALSO DRAWING CV-I0404)

7. CONSTRUCT HST TRACKS, INCLUDING OCS AND SIGNALS, AND OPEN TO SERVICE.

LEGEND:

- EXISTING FACILITY
- NEW CONSTRUCTION
- REMOVAL
- ⇒ INDICATES DIRECTION OF TRAFFIC AND NUMBER OF LANES

**SAN JOSE TO CVY EIR/S: VOLUME III  
ALTERNATIVE 3  
BOOK 3E  
SHEET 153 OF 216**



**SCHEMATIC PLAN**  
NOT TO SCALE

4/30/2019 5:11:16 PM CAHSRP.tbl c:\voad\1b\pwr\del\leon\46037\_cahsr\dms18405\JM-CV-I0413.dgn

| REV | DATE | BY | CHK | APP | DESCRIPTION |
|-----|------|----|-----|-----|-------------|
|     |      |    |     |     |             |
|     |      |    |     |     |             |
|     |      |    |     |     |             |
|     |      |    |     |     |             |

|             |  |
|-------------|--|
| DESIGNED BY |  |
| DRAWN BY    |  |
| CHECKED BY  |  |
| IN CHARGE   |  |
| DATE        |  |

**RECORD PEPD  
SUBMITTAL**  
  
**MAY 3, 2019**  
  
**NOT FOR  
CONSTRUCTION**

**HNTB**  
1111 Broadway  
9th Floor  
Oakland, CA 94607

**CALIFORNIA**  
High-Speed Rail Authority

**CALIFORNIA HIGH-SPEED TRAIN PROJECT**  
**SAN JOSE TO MERCED**  
MONTEREY CORRIDOR  
VIADUCT  
CONSTRUCTION STAGING-PHASES 2 & 3  
MODIFY EXISTING CURTNER AVENUE OVERHEAD

|              |          |
|--------------|----------|
| CONTRACT NO. | HSR15-34 |
| DRAWING NO.  | CV-I0413 |
| SCALE        | AS SHOWN |
| SHEET NO.    |          |

BLOOMFIELD AVENUE AND PRIVATE DRIVEWAY/BOLSA ROAD/SHELDON AVENUE/FRAZIER LAKE ROAD:

STAGE ONE:

1. PARTIALLY CONSTRUCT BOLSA ROAD REALIGNMENT.
2. CONTINUE TRAFFIC ON EXISTING BOLSA ROAD.
3. PARTIALLY CONSTRUCT BLOOMFIELD ROAD GRADE SEPARATION REALIGNMENT.
4. CONTINUE TRAFFIC ON EXISTING BLOOMFIELD AVENUE.
5. CONSTRUCT TEMPORARY DETOUR ROADWAY ON WEST SIDE OF EXISTING FRAZIER LAKE ROAD.
6. CONTINUE TRAFFIC ON EXISTING FRAZIER LAKE ROAD.

STAGE THREE:

1. CONSTRUCT NORTH AND SOUTH BLOOMFIELD ROAD GRADE SEPARATION REALIGNMENT CONFORMS USE FLAGGERS FOR TYPICAL LANE CLOSURE WITH REVERSIBLE CONTROL.
2. RESTORE TRAFFIC ONTO BLOOMFIELD ROAD GRADE SEPARATION REALIGNMENT.
3. CONSTRUCT BOLSA ROAD REALIGNMENT CONFORMS USE FLAGGERS FOR TYPICAL LANE CLOSURE WITH REVERSIBLE CONTROL.
4. RESTORE TRAFFIC TO BOLSA ROAD REALIGNMENT.
5. CONSTRUCT FRAZIER LAKE ROAD GRADE SEPARATION NORTH AND SOUTH CONFORMS USE FLAGGERS FOR TYPICAL LANE CLOSURE WITH REVERSIBLE CONTROL.
6. RESTORE TRAFFIC ONTO FRAZIER LAKE ROAD GRADE SEPARATION.
7. REMOVE TEMPORARY DETOUR ROADWAY ON WEST SIDE OF FRAZIER LAKE ROAD GRADE SEPARATION.

STAGE TWO:

1. CONSTRUCT BLOOMFIELD ROAD GRADE SEPARATION REALIGNMENT AT THE INTERSECTION WITH EXISTING SHELDON AVENUE.
2. CONTINUE TRAFFIC ON EXISTING BLOOMFIELD AVENUE.
3. CONSTRUCT FRAZIER LAKE ROAD GRADE SEPARATION.
4. DETOUR TRAFFIC ON FRAZIER LAKE ROAD TO TEMPORARY DETOUR ROADWAY ON WEST SIDE OF EXISTING FRAZIER LAKE ROAD.

**SAN JOSE TO CVY EIR/S: VOLUME III  
ALTERNATIVE 3  
BOOK 3E  
SHEET 154 OF 216**

\$USER \$ DATE \$ \$TIME \$ \$PENTBL \$ \$PLTDRVS \$ \$FILE \$

| REV | DATE | BY | CHK | APP | DESCRIPTION |
|-----|------|----|-----|-----|-------------|
|     |      |    |     |     |             |
|     |      |    |     |     |             |
|     |      |    |     |     |             |
|     |      |    |     |     |             |

|             |
|-------------|
| DESIGNED BY |
| DRAWN BY    |
| CHECKED BY  |
| IN CHARGE   |
| DATE        |

**RECORD PEPD  
SUBMITTAL**

**MAY 3, 2019**

**NOT FOR  
CONSTRUCTION**

**HNTB** 1111 Broadway  
9th Floor  
Oakland, CA 94607



**CALIFORNIA HIGH-SPEED TRAIN PROJECT**  
**SAN JOSE TO MERCED**  
MORGAN HILL AND GILROY  
VIADUCT TO DOWNTOWN GILROY  
CONSTRUCTION PHASING / STAGING PLAN  
GENERAL NOTES

|                          |
|--------------------------|
| CONTRACT NO.<br>HSR15-34 |
| DRAWING NO.<br>CV-11001  |
| SCALE<br>AS SHOWN        |
| SHEET NO.                |



SANTA CLARA COUNTY

NOTES:

1. SEE DRAWING CV-11001 FOR GENERAL NOTES REGARDING STAGE CONSTRUCTION.
2. HST TRACKS TO BE CONSTRUCTED FOLLOWING COMPLETION OF GRADE SEPARATION WORK.

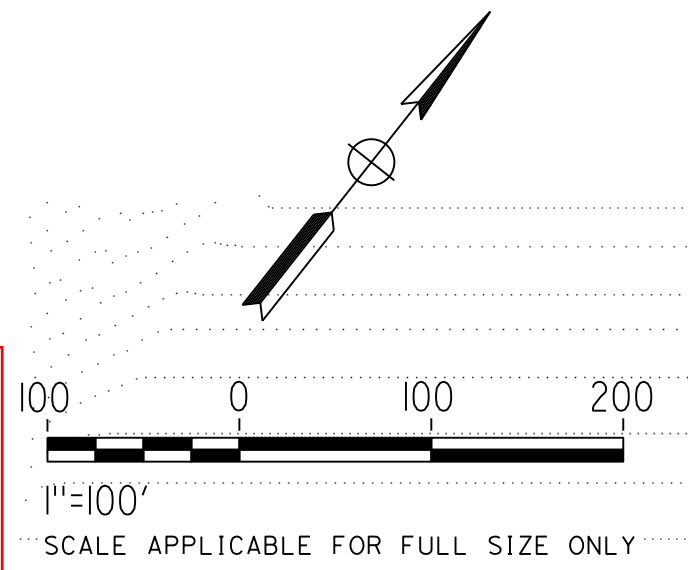
LEGEND:

 CONSTRUCT THIS STAGE



PLAN

**SAN JOSE TO CVY EIR/S: VOLUME III  
ALTERNATIVE 3  
BOOK 3E  
SHEET 155 OF 216**



\$USER \$ DATE \$ \$TIME \$ \$PLTDRVS \$ \$FILE \$

| REV | DATE | BY | CHK | APP | DESCRIPTION |
|-----|------|----|-----|-----|-------------|
|     |      |    |     |     |             |
|     |      |    |     |     |             |
|     |      |    |     |     |             |

|             |  |
|-------------|--|
| DESIGNED BY |  |
| DRAWN BY    |  |
| CHECKED BY  |  |
| IN CHARGE   |  |
| DATE        |  |

**RECORD PEPP  
SUBMITTAL**

**MAY 3, 2019**

**NOT FOR  
CONSTRUCTION**

**HNTB** 1111 Broadway  
9th Floor  
Oakland, CA 94607



**CALIFORNIA HIGH-SPEED TRAIN PROJECT**

**SAN JOSE TO MERCED**

MORGAN HILL AND GILROY  
VIADUCT TO DOWNTOWN GILROY

CONSTRUCTION PHASING / STAGING PLAN - STAGE 1  
BLOOMFIELD AVENUE GRADE SEPARATION - SHEET 1 OF 2

|              |          |
|--------------|----------|
| CONTRACT NO. | HSR15-34 |
| DRAWING NO.  | CV-11002 |
| SCALE        | AS SHOWN |
| SHEET NO.    |          |



SANTA CLARA COUNTY

NOTES:

- SEE DRAWING CV-11001 FOR GENERAL NOTES REGARDING STAGE CONSTRUCTION.
- HST TRACKS TO BE CONSTRUCTED FOLLOWING COMPLETION OF GRADE SEPARATION WORK.

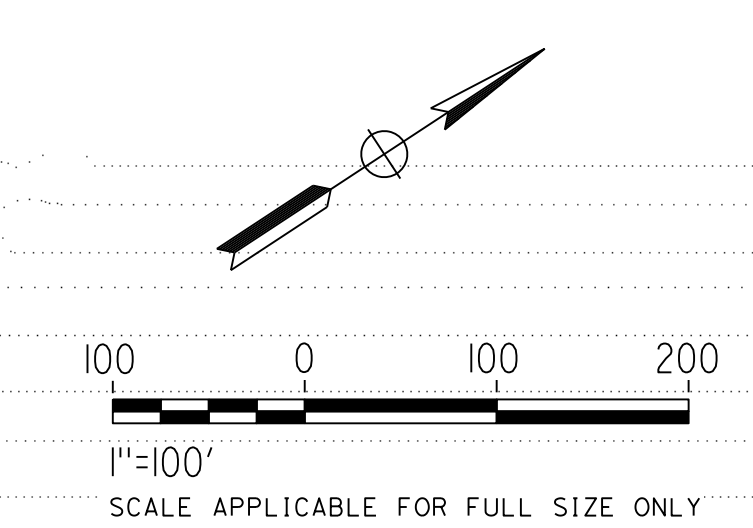
LEGEND:

 CONSTRUCT THIS STAGE



PLAN

**SAN JOSE TO CVY EIR/S: VOLUME III  
ALTERNATIVE 3  
BOOK 3E  
SHEET 156 OF 216**



\$USER \$ DATE \$ TIME \$ \$ENTBL \$ \$PLTDRVS \$ \$FILE \$

| REV | DATE | BY | CHK | APP | DESCRIPTION |
|-----|------|----|-----|-----|-------------|
|     |      |    |     |     |             |
|     |      |    |     |     |             |
|     |      |    |     |     |             |

|             |  |
|-------------|--|
| DESIGNED BY |  |
| DRAWN BY    |  |
| CHECKED BY  |  |
| IN CHARGE   |  |
| DATE        |  |

**RECORD PEPP  
SUBMITTAL**

**MAY 3, 2019**

**NOT FOR  
CONSTRUCTION**

**HNTB** 1111 Broadway  
9th Floor  
Oakland, CA 94607



**CALIFORNIA HIGH-SPEED TRAIN PROJECT**  
**SAN JOSE TO MERCED**  
MORGAN HILL AND GILROY  
VIADUCT TO DOWNTOWN GILROY  
CONSTRUCTION PHASING / STAGING PLAN - STAGE 1  
BLOOMFIELD AVENUE GRADE SEPARATION - SHEET 2 OF 2

|              |          |
|--------------|----------|
| CONTRACT NO. | HSR15-34 |
| DRAWING NO.  | CV-11003 |
| SCALE        | AS SHOWN |
| SHEET NO.    |          |



SANTA CLARA COUNTY

NOTES:

- SEE DRAWING CV-11001 FOR GENERAL NOTES REGARDING STAGE CONSTRUCTION.
- HST TRACKS TO BE CONSTRUCTED FOLLOWING COMPLETION OF GRADE SEPARATION WORK.

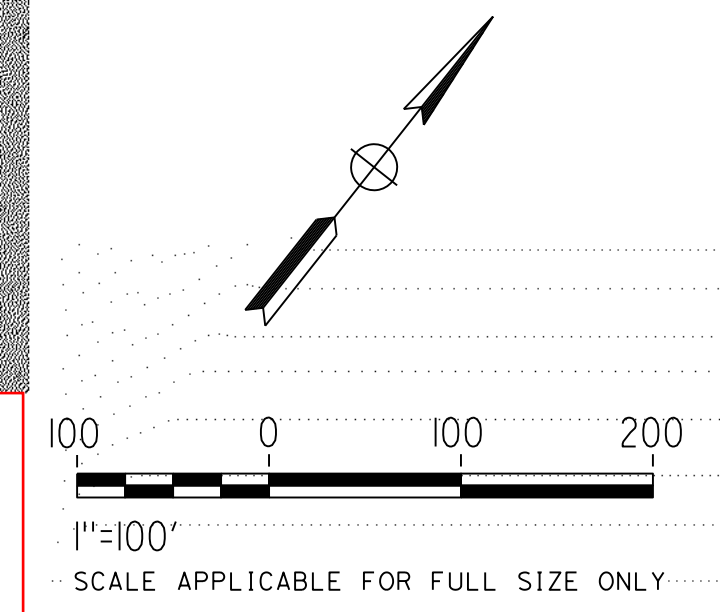
LEGEND:

 CONSTRUCT THIS STAGE



PLAN

**SAN JOSE TO CVY EIR/S: VOLUME III  
ALTERNATIVE 3  
BOOK 3E  
SHEET 157 OF 216**



\$USER \$ DATE \$ \$TIME \$ \$PLTDRVS \$ \$FILE \$

| REV | DATE | BY | CHK | APP | DESCRIPTION |
|-----|------|----|-----|-----|-------------|
|     |      |    |     |     |             |
|     |      |    |     |     |             |
|     |      |    |     |     |             |

|             |  |
|-------------|--|
| DESIGNED BY |  |
| DRAWN BY    |  |
| CHECKED BY  |  |
| IN CHARGE   |  |
| DATE        |  |

**RECORD PEPP  
SUBMITTAL**

**MAY 3, 2019**

**NOT FOR  
CONSTRUCTION**

**HNTB** 1111 Broadway  
9th Floor  
Oakland, CA 94607



**CALIFORNIA HIGH-SPEED TRAIN PROJECT**

**SAN JOSE TO MERCED**

MORGAN HILL AND GILROY  
VIADUCT TO DOWNTOWN GILROY

CONSTRUCTION PHASING / STAGING PLAN - STAGE 2  
BLOOMFIELD AVENUE GRADE SEPARATION - SHEET 1 OF 2

|              |          |
|--------------|----------|
| CONTRACT NO. | HSR15-34 |
| DRAWING NO.  | CV-11004 |
| SCALE        | AS SHOWN |
| SHEET NO.    |          |



SANTA CLARA COUNTY

NOTES:

- SEE DRAWING CV-I1001 FOR GENERAL NOTES REGARDING STAGE CONSTRUCTION.
- HST TRACKS TO BE CONSTRUCTED FOLLOWING COMPLETION OF GRADE SEPARATION WORK.

LEGEND:

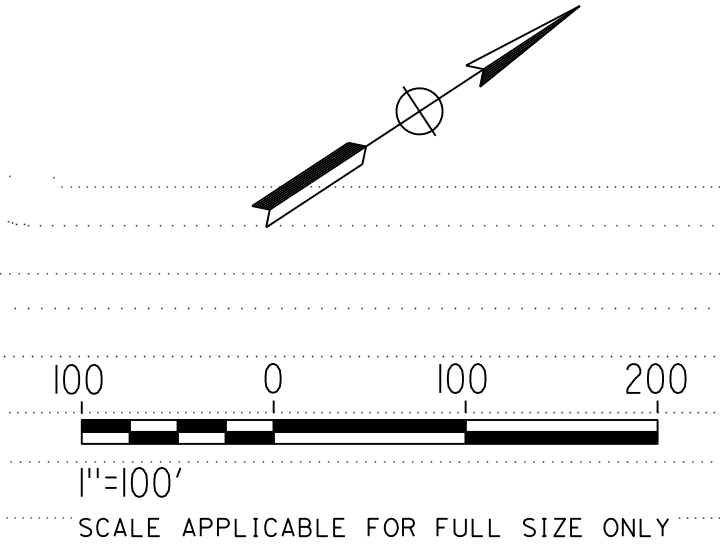
 CONSTRUCT THIS STAGE



MATCH LINE SEE DRAWING CV-I1004

**PLAN**  
SCALE: 1"=100'

**SAN JOSE TO CVY EIR/S: VOLUME III**  
**ALTERNATIVE 3**  
**BOOK 3E**  
**SHEET 158 OF 216**



\$USER \$ \$DATE \$ \$TIME \$ \$PENTBL \$ \$PLTDRVS \$ \$FILE \$

| REV | DATE | BY | CHK | APP | DESCRIPTION |
|-----|------|----|-----|-----|-------------|
|     |      |    |     |     |             |
|     |      |    |     |     |             |
|     |      |    |     |     |             |
|     |      |    |     |     |             |

|             |  |
|-------------|--|
| DESIGNED BY |  |
| DRAWN BY    |  |
| CHECKED BY  |  |
| IN CHARGE   |  |
| DATE        |  |

**RECORD PEPP**  
**SUBMITTAL**

**MAY 3, 2019**

**NOT FOR**  
**CONSTRUCTION**

**HNTB** 1111 Broadway  
9th Floor  
Oakland, CA 94607



**CALIFORNIA HIGH-SPEED TRAIN PROJECT**  
**SAN JOSE TO MERCED**  
MORGAN HILL AND GILROY  
VIADUCT TO DOWNTOWN GILROY  
CONSTRUCTION PHASING / STAGING PLAN - STAGE 2  
BLOOMFIELD AVENUE GRADE SEPARATION - SHEET 2 OF 2

|              |          |
|--------------|----------|
| CONTRACT NO. | HSR15-34 |
| DRAWING NO.  | CV-I1005 |
| SCALE        | AS SHOWN |
| SHEET NO.    |          |



SANTA CLARA COUNTY

NOTES:

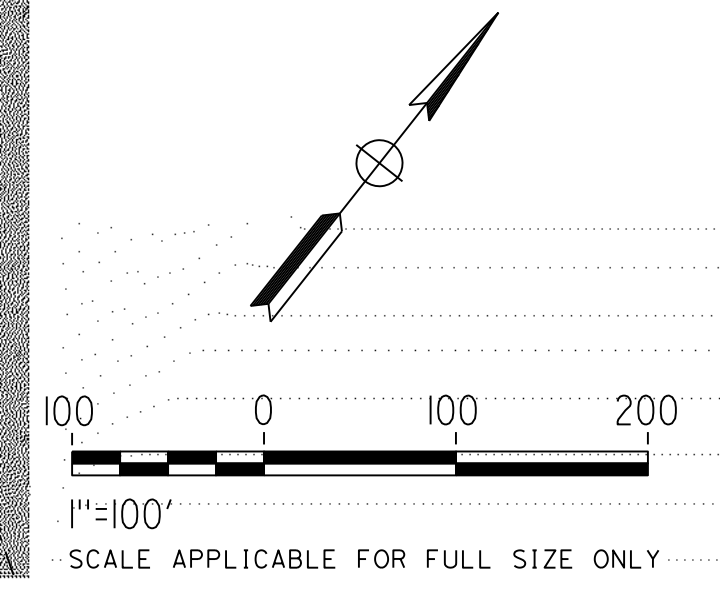
- SEE DRAWING CV-11001 FOR GENERAL NOTES REGARDING STAGE CONSTRUCTION.
- HST TRACKS TO BE CONSTRUCTED FOLLOWING COMPLETION OF GRADE SEPARATION WORK.

LEGEND:

 CONSTRUCT THIS STAGE



**SAN JOSE TO CVY EIR/S: VOLUME III  
ALTERNATIVE 3  
BOOK 3E  
SHEET 159 OF 216**



**PLAN**

\$USER \$ DATE \$ TIME \$ \$FILE \$ \$PLTDRVS \$ \$PENTBLS \$ \$LDRVS \$ \$FILE \$

| REV | DATE | BY | CHK | APP | DESCRIPTION |
|-----|------|----|-----|-----|-------------|
|     |      |    |     |     |             |
|     |      |    |     |     |             |
|     |      |    |     |     |             |

|             |  |
|-------------|--|
| DESIGNED BY |  |
| DRAWN BY    |  |
| CHECKED BY  |  |
| IN CHARGE   |  |
| DATE        |  |

**RECORD PEPP  
SUBMITTAL**

**MAY 3, 2019**

**NOT FOR  
CONSTRUCTION**

**HNTB** 1111 Broadway  
9th Floor  
Oakland, CA 94607



**CALIFORNIA HIGH-SPEED TRAIN PROJECT**  
**SAN JOSE TO MERCED**  
MORGAN HILL AND GILROY  
VIADUCT TO DOWNTOWN GILROY  
CONSTRUCTION PHASING / STAGING PLAN - STAGE 3  
BLOOMFIELD AVENUE GRADE SEPARATION - SHEET 1 OF 2

|              |          |
|--------------|----------|
| CONTRACT NO. | HSR15-34 |
| DRAWING NO.  | CV-11006 |
| SCALE        | AS SHOWN |
| SHEET NO.    |          |



SANTA CLARA COUNTY

NOTES:

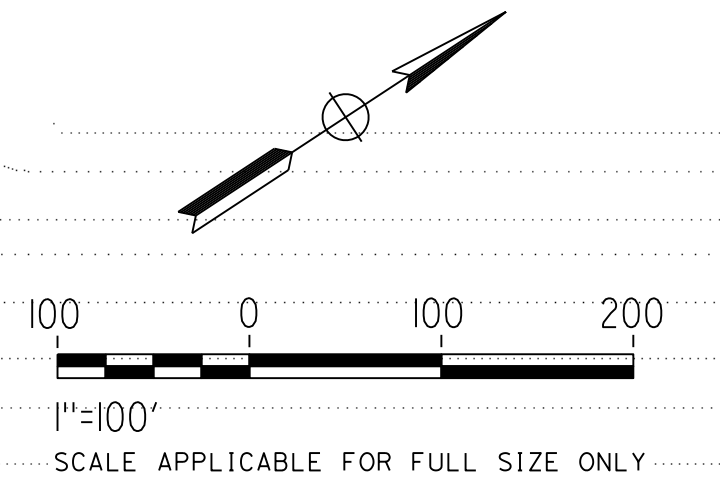
- SEE DRAWING CV-11001 FOR GENERAL NOTES REGARDING STAGE CONSTRUCTION.
- HST TRACKS TO BE CONSTRUCTED FOLLOWING COMPLETION OF GRADE SEPARATION WORK.

LEGEND:

 CONSTRUCT THIS STAGE



**SAN JOSE TO CVY EIR/S: VOLUME III  
ALTERNATIVE 3  
BOOK 3E  
SHEET 160 OF 216**



\$USER \$ DATE \$ \$TIME \$ \$PENTBL \$ \$PLTDRVS \$ \$FILE \$

| REV | DATE | BY | CHK | APP | DESCRIPTION |
|-----|------|----|-----|-----|-------------|
|     |      |    |     |     |             |
|     |      |    |     |     |             |
|     |      |    |     |     |             |

|             |  |
|-------------|--|
| DESIGNED BY |  |
| DRAWN BY    |  |
| CHECKED BY  |  |
| IN CHARGE   |  |
| DATE        |  |

**RECORD PEPP  
SUBMITTAL**

**MAY 3, 2019**

**NOT FOR  
CONSTRUCTION**

**HNTB** 1111 Broadway  
9th Floor  
Oakland, CA 94607



**CALIFORNIA HIGH-SPEED TRAIN PROJECT**  
**SAN JOSE TO MERCED**  
MORGAN HILL AND GILROY  
VIADUCT TO DOWNTOWN GILROY  
CONSTRUCTION PHASING / STAGING PLAN - STAGE 3  
BLOOMFIELD AVENUE GRADE SEPARATION - SHEET 2 OF 2

|              |          |
|--------------|----------|
| CONTRACT NO. | HSR15-34 |
| DRAWING NO.  | CV-11007 |
| SCALE        | AS SHOWN |
| SHEET NO.    |          |



HOLSCLAW ROAD/SR 152/FRAZIER LAKE ROAD:

STAGE ONE:

1. CONSTRUCT TEMPORARY DETOUR ROADWAY ON EAST SIDE OF EXISTING FRAZIER LAKE TO CONFORM WITH EXISTING SR152.
2. CONTINUE TRAFFIC ON EXISTING FRAZIER LAKE ROAD.

STAGE TWO:

1. CONSTRUCT PARTIAL REALIGNMENT OF HOLSCLAW ROAD CONNECTION WITH PACHECO PASS ROAD.
2. CONTINUE TRAFFIC ON EXISTING HOLSCLAW ROAD.
3. CONSTRUCT PARTIAL SR152 REALIGNMENT ON SOUTH SIDE OF EXISTING SR152.
4. CONTINUE TRAFFIC ON EXISTING SR152.
5. REDIRECT FRAZIER LAKE TRAFFIC ONTO TEMPORARY FRAZIER LAKE DETOUR ROADWAY.
6. CONSTRUCT FRAZIER LAKE ROAD REALIGNMENT TO CONFORM WITH PROPOSED SR152 REALIGNMENT.

STAGE THREE:

1. REDIRECT TRAFFIC ONTO REALIGNED FRAZIER LAKE ROAD.
2. REMOVE TEMPORARY DETOUR ROADWAY FOR FRAZIER LAKE ROAD.
3. CONSTRUCT HOLSCLAW ROAD EAST AND WEST CONFORMS - USE FLAGGERS FOR TYPICAL LANE CLOSURE WITH REVERSIBLE CONTROL.
4. CONSTRUCT PACHECO PASS ROAD-SR152 ACCESS CONFORM - USE FLAGGERS FOR TYPICAL LANE CLOSURE WITH REVERSIBLE CONTROL.

SAN JOSE TO CVY EIR/S: VOLUME III  
ALTERNATIVE 3  
BOOK 3E  
SHEET 161 OF 216

5/3/2019 9:07:18 AM CAHSRP.tbl cvd\_pdf\_bw.plt cfd c:\cadd\lib\pwr\del\leon\46037\_cahsr\dms18434\JM-CV-11101.dgn

| REV | DATE | BY | CHK | APP | DESCRIPTION |
|-----|------|----|-----|-----|-------------|
|     |      |    |     |     |             |
|     |      |    |     |     |             |
|     |      |    |     |     |             |
|     |      |    |     |     |             |

|             |
|-------------|
| DESIGNED BY |
| DRAWN BY    |
| CHECKED BY  |
| IN CHARGE   |
| DATE        |

**RECORD PEPD  
SUBMITTAL**

**MAY 3, 2019**

**NOT FOR  
CONSTRUCTION**

HNTB

1111 Broadway  
9th Floor  
Oakland, CA 94607



CALIFORNIA

High-Speed Rail Authority

CALIFORNIA HIGH-SPEED TRAIN PROJECT

SAN JOSE TO MERCED

MORGAN HILL AND GILROY  
VIADUCT TO EAST GILROY  
GENERAL NOTES  
CONSTRUCTION PHASING / STAGING PLAN

|              |          |
|--------------|----------|
| CONTRACT NO. | HSR15-36 |
| DRAWING NO.  | CV-11101 |
| SCALE        | AS SHOWN |
| SHEET NO.    |          |



SANTA CLARA COUNTY

**NOTES:**

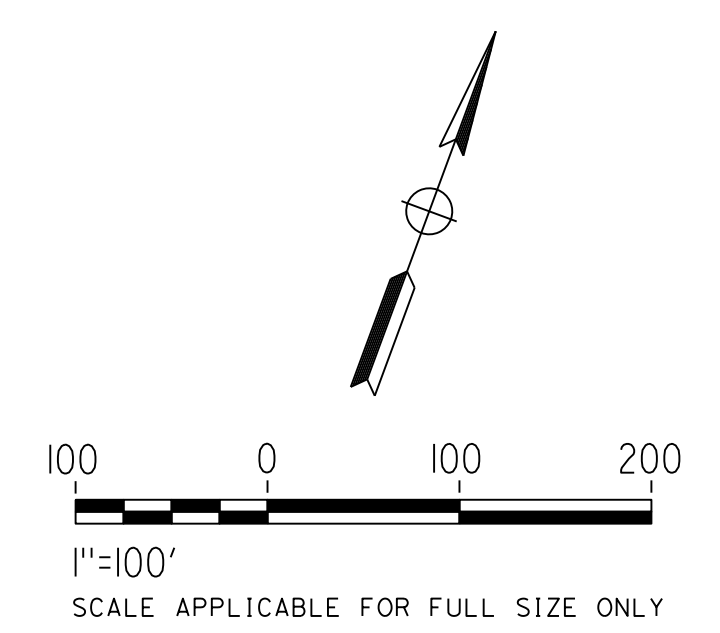
1. SEE DRAWING CV-11101 FOR GENERAL NOTES REGARDING STAGE CONSTRUCTION.
2. HST TRACKS TO BE CONSTRUCTED FOLLOWING COMPLETION OF GRADE SEPARATION WORK.



**PLAN**  
SCALE: 1"=100'

MATCH LINE SEE DRAWING CV-11103

**SAN JOSE TO CVY EIR/S: VOLUME III  
ALTERNATIVE 3  
BOOK 3E  
SHEET 162 OF 216**



4/29/2019 3:26:27 PM CAHSRP.tbl c:\car-son\icor-son\46037\_cv-11102.dgn

| REV | DATE | BY | CHK | APP | DESCRIPTION |
|-----|------|----|-----|-----|-------------|
|     |      |    |     |     |             |
|     |      |    |     |     |             |
|     |      |    |     |     |             |
|     |      |    |     |     |             |

|             |
|-------------|
| DESIGNED BY |
| DRAWN BY    |
| CHECKED BY  |
| IN CHARGE   |
| DATE        |

**RECORD PEPP  
SUBMITTAL**

**MAY 3, 2019**

**NOT FOR  
CONSTRUCTION**

**HNTB**

1111 Broadway  
9th Floor  
Oakland, CA 94607

**CALIFORNIA**  
High-Speed Rail Authority

**CALIFORNIA HIGH-SPEED TRAIN PROJECT**

**SAN JOSE TO MERCED**

MORGAN HILL AND GILROY  
VIADUCT TO EAST GILROY

CONSTRUCTION STAGING PLAN - STAGE 1  
SR 152/FRAZIER LAKE RD GRADE SEPARATIONS

|              |          |
|--------------|----------|
| CONTRACT NO. | HSR15-36 |
| DRAWING NO.  | CV-11102 |
| SCALE        | AS SHOWN |
| SHEET NO.    |          |



SANTA CLARA COUNTY

NOTES:

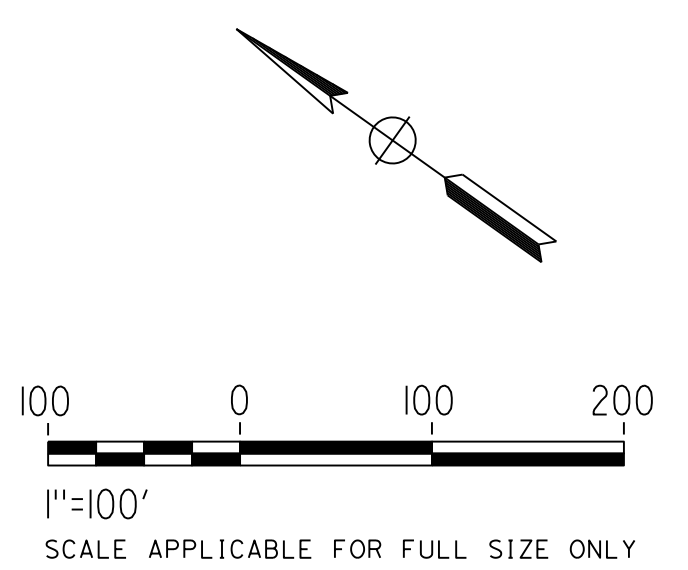
1. SEE DRAWING CV-11101 FOR GENERAL NOTES REGARDING STAGE CONSTRUCTION.
2. HST TRACKS TO BE CONSTRUCTED FOLLOWING COMPLETION OF GRADE SEPARATION WORK.



MATCH LINE SEE DRAWING CV-11102

**PLAN**  
SCALE: 1"=100'

**SAN JOSE TO CVY EIR/S: VOLUME III**  
**ALTERNATIVE 3**  
**BOOK 3E**  
**SHEET 163 OF 216**



4/29/2019 3:28:44 PM CAHSRP.tbl cvd\_paf\_bw.pltcfgr c:\cadd\lib\pwc\car-son\46037\_cahsr\dms18434\JM-CV-11103.dgn

| REV | DATE | BY | CHK | APP | DESCRIPTION |
|-----|------|----|-----|-----|-------------|
|     |      |    |     |     |             |
|     |      |    |     |     |             |
|     |      |    |     |     |             |
|     |      |    |     |     |             |

|             |  |
|-------------|--|
| DESIGNED BY |  |
| DRAWN BY    |  |
| CHECKED BY  |  |
| IN CHARGE   |  |
| DATE        |  |

**RECORD PEPP**  
**SUBMITTAL**

**MAY 3, 2019**

**NOT FOR**  
**CONSTRUCTION**

**HNTB** 1111 Broadway  
9th Floor  
Oakland, CA 94607



**CALIFORNIA HIGH-SPEED TRAIN PROJECT**  
**SAN JOSE TO MERCED**  
MORGAN HILL AND GILROY  
VIADUCT TO EAST GILROY  
CONSTRUCTION STAGING PLAN - STAGE 1  
SR 152/FRAZIER LAKE RD GRADE SEPARATIONS

|              |          |
|--------------|----------|
| CONTRACT NO. | HSR15-36 |
| DRAWING NO.  | CV-11103 |
| SCALE        | AS SHOWN |
| SHEET NO.    |          |



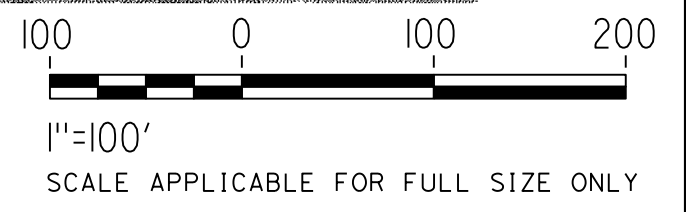
**SANTA CLARA COUNTY**

- NOTES:**
1. SEE DRAWING CV-11101 FOR GENERAL NOTES REGARDING STAGE CONSTRUCTION.
  2. HST TRACKS TO BE CONSTRUCTED FOLLOWING COMPLETION OF GRADE SEPARATION WORK.



**PLAN**  
SCALE: 1"=100'

**SAN JOSE TO CVY EIR/S: VOLUME III  
ALTERNATIVE 3  
BOOK 3E  
SHEET 164 OF 216**



4/29/2019 3:28:58 PM CAHSRP.tbl c:\car-son\46037\_cv-11104.dgn c:\car-son\46037\_cv-11104.dgn

| REV | DATE | BY | CHK | APP | DESCRIPTION |
|-----|------|----|-----|-----|-------------|
|     |      |    |     |     |             |
|     |      |    |     |     |             |
|     |      |    |     |     |             |
|     |      |    |     |     |             |

|             |  |
|-------------|--|
| DESIGNED BY |  |
| DRAWN BY    |  |
| CHECKED BY  |  |
| IN CHARGE   |  |
| DATE        |  |

**RECORD PEPP  
SUBMITTAL**

**MAY 3, 2019**

**NOT FOR  
CONSTRUCTION**

**HNTB** 1111 Broadway  
9th Floor  
Oakland, CA 94607



**CALIFORNIA HIGH-SPEED TRAIN PROJECT**

**SAN JOSE TO MERCED**

MORGAN HILL AND GILROY  
VIADUCT TO EAST GILROY  
CONSTRUCTION STAGING PLAN - STAGE 2  
SR 152/FRAZIER LAKE RD GRADE SEPARATIONS

|              |          |
|--------------|----------|
| CONTRACT NO. | HSR15-36 |
| DRAWING NO.  | CV-11104 |
| SCALE        | AS SHOWN |
| SHEET NO.    |          |



SANTA CLARA COUNTY

CONSTRUCTION STAGING AREA

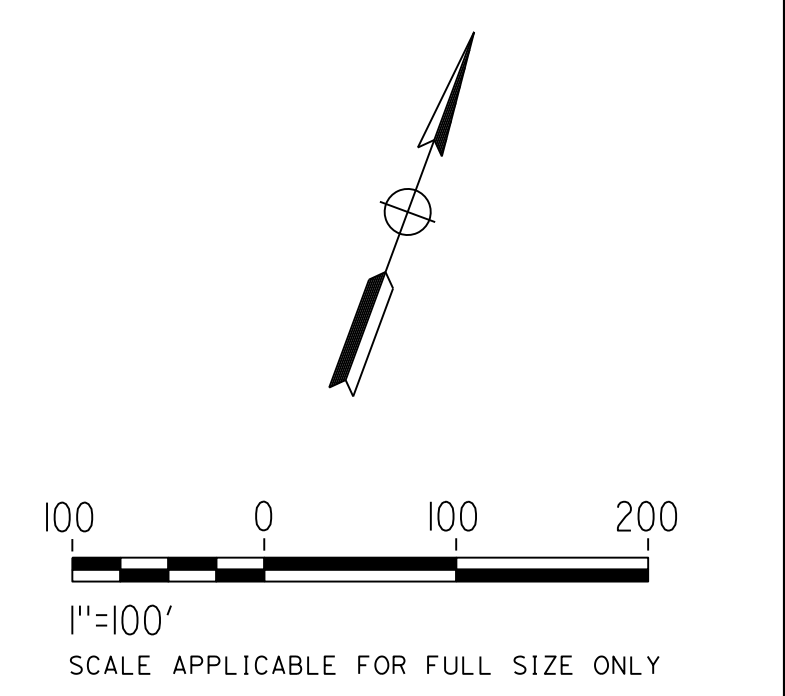
**NOTES:**

1. SEE DRAWING CV-11101 FOR GENERAL NOTES REGARDING STAGE CONSTRUCTION.
2. HST TRACKS TO BE CONSTRUCTED FOLLOWING COMPLETION OF GRADE SEPARATION WORK.



**PLAN**  
SCALE: 1"=100'

**SAN JOSE TO CVY EIR/S: VOLUME III  
ALTERNATIVE 3  
BOOK 3E  
SHEET 165 OF 216**



4/29/2019 3:30:19 PM CAHSRP.tbl cvd\_paf\_bw.plt c:\car-son\pcar-son\46037\_cahsr\dms18434\JM-CV-11105.dgn

| REV | DATE | BY | CHK | APP | DESCRIPTION |
|-----|------|----|-----|-----|-------------|
|     |      |    |     |     |             |
|     |      |    |     |     |             |
|     |      |    |     |     |             |

|             |  |
|-------------|--|
| DESIGNED BY |  |
| DRAWN BY    |  |
| CHECKED BY  |  |
| IN CHARGE   |  |
| DATE        |  |

**RECORD PEPP  
SUBMITTAL**

**MAY 3, 2019**

**NOT FOR  
CONSTRUCTION**

**HNTB** 1111 Broadway  
9th Floor  
Oakland, CA 94607



**CALIFORNIA HIGH-SPEED TRAIN PROJECT**

**SAN JOSE TO MERCED**

MORGAN HILL AND GILROY  
VIADUCT TO EAST GILROY  
CONSTRUCTION STAGING PLAN - STAGE 2  
SR 152/FRAZIER LAKE RD GRADE SEPARATIONS

|              |          |
|--------------|----------|
| CONTRACT NO. | HSR15-36 |
| DRAWING NO.  | CV-11105 |
| SCALE        | AS SHOWN |
| SHEET NO.    |          |



SANTA CLARA COUNTY

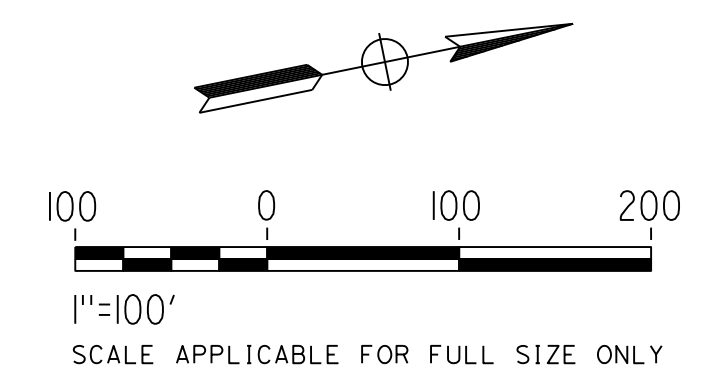
- NOTES:
1. SEE DRAWING CV-11101 FOR GENERAL NOTES REGARDING STAGE CONSTRUCTION.
  2. HST TRACKS TO BE CONSTRUCTED FOLLOWING COMPLETION OF GRADE SEPARATION WORK.



MATCH LINE SEE DRAWING CV-11105

**PLAN**  
SCALE: 1"=100'

**SAN JOSE TO CVY EIR/S: VOLUME III  
ALTERNATIVE 3  
BOOK 3E  
SHEET 166 OF 216**



4/29/2019 3:30:33 PM CAHSRP.tbl c:\car-son\46037\_... dms18434\JM-CV-11106.dgn

| REV | DATE | BY | CHK | APP | DESCRIPTION |
|-----|------|----|-----|-----|-------------|
|     |      |    |     |     |             |
|     |      |    |     |     |             |
|     |      |    |     |     |             |
|     |      |    |     |     |             |

|             |  |
|-------------|--|
| DESIGNED BY |  |
| DRAWN BY    |  |
| CHECKED BY  |  |
| IN CHARGE   |  |
| DATE        |  |

**RECORD PEPD  
SUBMITTAL**

**MAY 3, 2019**

**NOT FOR  
CONSTRUCTION**

**HNTB** 1111 Broadway  
9th Floor  
Oakland, CA 94607



**CALIFORNIA HIGH-SPEED TRAIN PROJECT**  
**SAN JOSE TO MERCED**  
MORGAN HILL AND GILROY  
VIADUCT TO EAST GILROY  
CONSTRUCTION STAGING PLAN - STAGE 2  
SR 152/FRAZIER LAKE RD GRADE SEPARATIONS

|              |          |
|--------------|----------|
| CONTRACT NO. | HSR15-36 |
| DRAWING NO.  | CV-11106 |
| SCALE        | AS SHOWN |
| SHEET NO.    |          |



4/29/2019 3:31:56 PM CAHSRP.tbl cvd\_paf\_bw.pltcf g c:\cadd\lib\pwworkspace\carson\46037\_cahsr\dms18434\JM-CV-11107.dgn



- NOTES:**
1. SEE DRAWING CV-11101 FOR GENERAL NOTES REGARDING STAGE CONSTRUCTION.
  2. HST TRACKS TO BE CONSTRUCTED FOLLOWING COMPLETION OF GRADE SEPARATION WORK.

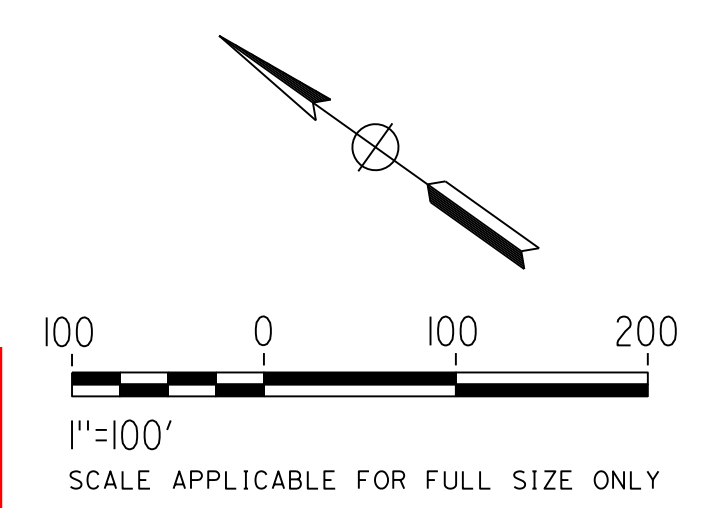
MATCH LINE SEE DRAWING CV-11105

PG&E GAS FEEDER MAIN  
CONFLICT ID# HGS-19  
PROTECT IN PLACE OR  
REPLACE

STAGE TWO  
REALIGNED FRAZIER LAKE ROAD  
GRADE SEPARATION

**PLAN**  
SCALE: 1"=100'

**SAN JOSE TO CVY EIR/S: VOLUME III  
ALTERNATIVE 3  
BOOK 3E  
SHEET 167 OF 216**



| REV | DATE | BY | CHK | APP | DESCRIPTION |
|-----|------|----|-----|-----|-------------|
|     |      |    |     |     |             |
|     |      |    |     |     |             |
|     |      |    |     |     |             |
|     |      |    |     |     |             |

|             |  |
|-------------|--|
| DESIGNED BY |  |
| DRAWN BY    |  |
| CHECKED BY  |  |
| IN CHARGE   |  |
| DATE        |  |

**RECORD PEPD  
SUBMITTAL**

**MAY 3, 2019**

**NOT FOR  
CONSTRUCTION**

**HNTB** 1111 Broadway  
9th Floor  
Oakland, CA 94607



**CALIFORNIA HIGH-SPEED TRAIN PROJECT**

**SAN JOSE TO MERCED**

MORGAN HILL AND GILROY  
VIADUCT TO EAST GILROY  
CONSTRUCTION STAGING PLAN - STAGE 2  
SR 152/FRAZIER LAKE RD GRADE SEPARATIONS

|              |          |
|--------------|----------|
| CONTRACT NO. | HSR15-36 |
| DRAWING NO.  | CV-11107 |
| SCALE        | AS SHOWN |
| SHEET NO.    |          |



SANTA CLARA COUNTY

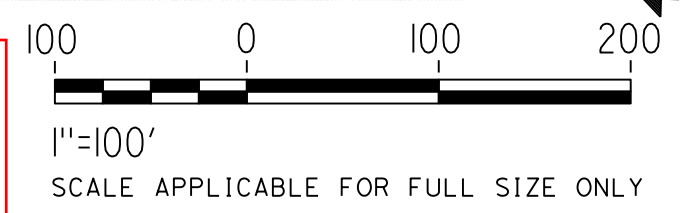
NOTES:

1. SEE DRAWING CV-11101 FOR GENERAL NOTES REGARDING STAGE CONSTRUCTION.
2. HST TRACKS TO BE CONSTRUCTED FOLLOWING COMPLETION OF GRADE SEPARATION WORK.



**PLAN**  
SCALE: 1"=100'

**SAN JOSE TO CVY EIR/S: VOLUME III**  
**ALTERNATIVE 3**  
**BOOK 3E**  
**SHEET 168 OF 216**



4/29/2019 3:32:09 PM CAHSRP.tbl cvd\_paf\_bw.plt c:\car-son\46037\_cahsr\dms18434\JM-CV-11108.dgn

| REV | DATE | BY | CHK | APP | DESCRIPTION |
|-----|------|----|-----|-----|-------------|
|     |      |    |     |     |             |
|     |      |    |     |     |             |
|     |      |    |     |     |             |
|     |      |    |     |     |             |

|             |  |
|-------------|--|
| DESIGNED BY |  |
| DRAWN BY    |  |
| CHECKED BY  |  |
| IN CHARGE   |  |
| DATE        |  |

**RECORD PEPP  
SUBMITTAL**

**MAY 3, 2019**

**NOT FOR  
CONSTRUCTION**

**HNTB** 1111 Broadway  
9th Floor  
Oakland, CA 94607



**CALIFORNIA HIGH-SPEED TRAIN PROJECT**  
**SAN JOSE TO MERCED**  
MORGAN HILL AND GILROY  
VIADUCT TO EAST GILROY  
CONSTRUCTION STAGING PLAN - STAGE 3  
SR 152/FRAZIER LAKE RD GRADE SEPARATIONS

|              |          |
|--------------|----------|
| CONTRACT NO. | HSR15-36 |
| DRAWING NO.  | CV-11108 |
| SCALE        | AS SHOWN |
| SHEET NO.    |          |



**SANTA CLARA COUNTY**

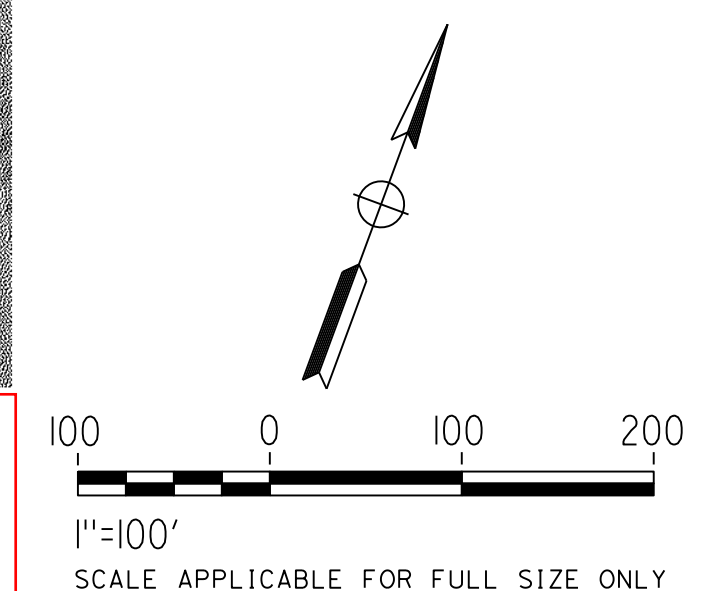
**NOTES:**

1. SEE DRAWING CV-11101 FOR GENERAL NOTES REGARDING STAGE CONSTRUCTION.
2. HST TRACKS TO BE CONSTRUCTED FOLLOWING COMPLETION OF GRADE SEPARATION WORK.



**PLAN**  
SCALE: 1"=100'

**SAN JOSE TO CVY EIR/S: VOLUME III**  
**ALTERNATIVE 3**  
**BOOK 3E**  
**SHEET 169 OF 216**



4/29/2019 3:32:34 PM CAHSRP.tbl cvd\_paf\_bw.plt c:\cadd\lib\pwc\carson\46037\_cahsr\dms18434\JM-CV-11109.dgn

| REV | DATE | BY | CHK | APP | DESCRIPTION |
|-----|------|----|-----|-----|-------------|
|     |      |    |     |     |             |
|     |      |    |     |     |             |
|     |      |    |     |     |             |
|     |      |    |     |     |             |

|             |  |
|-------------|--|
| DESIGNED BY |  |
| DRAWN BY    |  |
| CHECKED BY  |  |
| IN CHARGE   |  |
| DATE        |  |

**RECORD PEPPD SUBMITTAL**  
**MAY 3, 2019**  
**NOT FOR CONSTRUCTION**

**HNTB** 1111 Broadway  
9th Floor  
Oakland, CA 94607



**CALIFORNIA HIGH-SPEED TRAIN PROJECT**  
**SAN JOSE TO MERCED**  
MORGAN HILL AND GILROY  
VIADUCT TO EAST GILROY  
CONSTRUCTION STAGING PLAN - STAGE 3  
SR 152/FRAZIER LAKE RD GRADE SEPARATIONS

|              |          |
|--------------|----------|
| CONTRACT NO. | HSR15-36 |
| DRAWING NO.  | CV-11109 |
| SCALE        | AS SHOWN |
| SHEET NO.    |          |



**SANTA CLARA COUNTY**

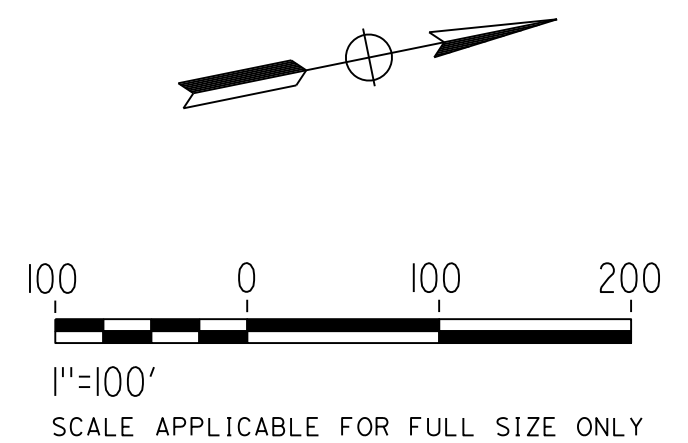
**NOTES:**

1. SEE DRAWING CV-11101 FOR GENERAL NOTES REGARDING STAGE CONSTRUCTION.
2. HST TRACKS TO BE CONSTRUCTED FOLLOWING COMPLETION OF GRADE SEPARATION WORK.



**PLAN**  
SCALE: 1"=100'

**SAN JOSE TO CVY EIR/S: VOLUME III**  
**ALTERNATIVE 3**  
**BOOK 3E**  
**SHEET 170 OF 216**



4/29/2019 3:32:57 PM CAHSRP.tbl c:\car-son\46037\_cv-11110.dgn

| REV | DATE | BY | CHK | APP | DESCRIPTION |
|-----|------|----|-----|-----|-------------|
|     |      |    |     |     |             |
|     |      |    |     |     |             |
|     |      |    |     |     |             |
|     |      |    |     |     |             |

|             |  |
|-------------|--|
| DESIGNED BY |  |
| DRAWN BY    |  |
| CHECKED BY  |  |
| IN CHARGE   |  |
| DATE        |  |

**RECORD PEPP  
SUBMITTAL**

**MAY 3, 2019**

**NOT FOR  
CONSTRUCTION**

**HNTB** 1111 Broadway  
9th Floor  
Oakland, CA 94607



**CALIFORNIA HIGH-SPEED TRAIN PROJECT**  
**SAN JOSE TO MERCED**  
MORGAN HILL AND GILROY  
VIADUCT TO EAST GILROY  
CONSTRUCTION STAGING PLAN - STAGE 3  
SR 152/FRAZIER LAKE RD GRADE SEPARATIONS

|              |          |
|--------------|----------|
| CONTRACT NO. | HSR15-36 |
| DRAWING NO.  | CV-11110 |
| SCALE        | AS SHOWN |
| SHEET NO.    |          |



HENRY MILLER ROAD DETOUR:

1. BUILD TEMPORARY ROADWAY ON NORTH SIDE OF HENRY MILLER ROAD. SEE DRAWINGS CV-11602 AND CV-11603 FOR DETAILS.
2. DIRECT TRAFFIC ONTO DETOUR AND CLOSE EXISTING ROADWAY TO ALLOW FOR CONSTRUCTION OF GRADE SEPARATION.
3. CLOSE VOLTA ROAD AND DETOUR TRAFFIC ONTO INGOMAR GRADE ROAD TO HENRY MILLER ROAD.
4. RESTORE TRAFFIC TO HENRY MILLER ROAD AFTER COMPLETION OF GRADE SEPARATION WORK.
5. CONSTRUCT REMAINING PORTION OF OF VOLTA RD.
6. REMOVE TEMPORARY ROADWAY.

CARLUCCI ROAD DETOUR:

1. BUILD TEMPORARY DETOUR ROADWAY ON EAST SIDE OF CARLUCCI ROAD. SEE DRAWING CV-11607 FOR DETAILS.
3. DIRECT TRAFFIC ONTO DETOUR AND CLOSE EXISTING CARLUCCI ROAD TO ALLOW FOR CONSTRUCTION OF GRADE SEPARATION.
4. RESTORE TRAFFIC TO CARLUCCI ROAD, REALIGNED HENRY MILLER ROAD, AND REALIGNED HUTCHINS ROAD UPON COMPLETION OF GRADE SEPARATION WORK.
5. REMOVE TEMPORARY ROADWAYS.

NOTES:

1. GRADE SEPARATION CONSTRUCTION SHALL BE PHASED TO AVOID CONCURRENT CLOSURE OF ANY TWO ROADWAYS WITHIN A 2-MILE RADIUS.

SR-165 / MERCEY SPRINGS ROAD DETOUR:

1. BUILD TEMPORARY DETOUR ROADWAY ON WEST SIDE OF SR-165 / MERCEY SPRINGS ROAD. SEE DRAWING CV-11604 FOR DETAILS.
2. DIRECT TRAFFIC ONTO DETOUR AND CLOSE EXISTING ROADWAY TO ALLOW FOR CONSTRUCTION OF GRADE SEPARATION.
3. RESTORE TRAFFIC TO SR-165 / MERCEY SPRINGS ROAD UPON COMPLETION OF GRADE SEPARATION WORK.
4. REMOVE TEMPORARY ROADWAY.

DELTA ROAD DETOUR:

1. BUILD TEMPORARY DETOUR ROADWAY ON EAST SIDE OF DELTA ROAD. SEE DRAWING CV-11605 FOR DETAILS.
2. DIRECT TRAFFIC ONTO DETOUR AND CLOSE EXISTING ROADWAY TO ALLOW FOR CONSTRUCTION OF GRADE SEPARATION AND FRONTAGE ROAD.
3. RESTORE TRAFFIC TO DELTA ROAD UPON COMPLETION OF GRADE SEPARATION WORK.
4. REMOVE TEMPORARY ROADWAY.

TURNER ISLAND ROAD DETOUR:

1. CONSTRUCT CONNECTOR ROAD AND TEMPORARY DETOUR ROADWAY ON WEST SIDE OF TURNER ISLAND ROAD. SEE DRAWING CV-11606 FOR DETAILS.
2. DIRECT TRAFFIC ONTO DETOUR / CONNECTOR ROAD DURING CONSTRUCTION OF GRADE SEPARATION.
3. RESTORE TRAFFIC TO TURNER ISLAND ROAD UPON COMPLETION OF GRADE SEPARATION WORK.
4. REMOVE TEMPORARY ROADWAY.

SAN JOSE TO CVY EIR/S: VOLUME III  
ALTERNATIVE 3  
BOOK 3E  
SHEET 171 OF 216

4/30/2019 5:15:30 PM CAHSRP.tbl cvd\_pdf\_bw.plt c:\cadd\lib\pwr\del\leon\46037\_cahsr\dms18501\JM-CV-11601.dgn

| REV | DATE | BY | CHK | APP | DESCRIPTION |
|-----|------|----|-----|-----|-------------|
|     |      |    |     |     |             |
|     |      |    |     |     |             |
|     |      |    |     |     |             |
|     |      |    |     |     |             |

|             |
|-------------|
| DESIGNED BY |
| DRAWN BY    |
| CHECKED BY  |
| IN CHARGE   |
| DATE        |

**RECORD PEPD  
SUBMITTAL**

**MAY 3, 2019**

**NOT FOR  
CONSTRUCTION**

HNTB

1111 Broadway  
9th Floor  
Oakland, CA 94607



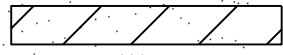
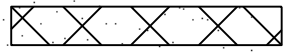
**CALIFORNIA HIGH-SPEED TRAIN PROJECT**  
**SAN JOSE TO MERCED**  
SAN JOAQUIN VALLEY  
HENRY MILLER ROAD  
CONSTRUCTION STAGING PLAN  
GENERAL NOTES

|                          |
|--------------------------|
| CONTRACT NO.<br>HSR15-34 |
| DRAWING NO.<br>CV-11601  |
| SCALE<br>NO SCALE        |
| SHEET NO.                |



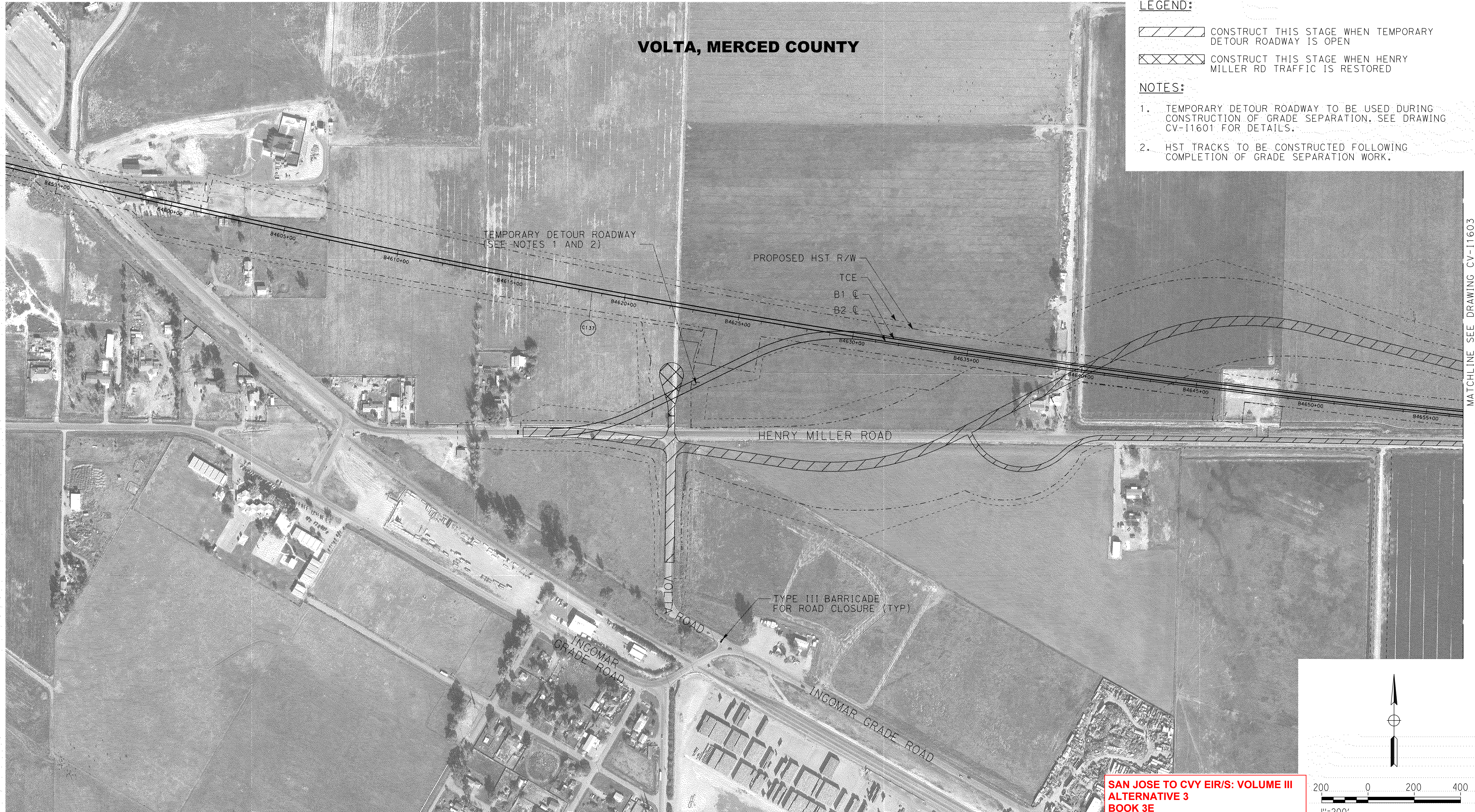
**VOLTA, MERCED COUNTY**

**LEGEND:**

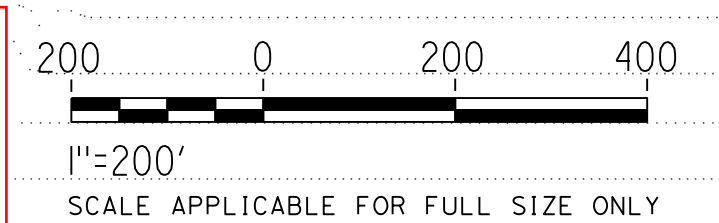
-  CONSTRUCT THIS STAGE WHEN TEMPORARY DETOUR ROADWAY IS OPEN
-  CONSTRUCT THIS STAGE WHEN HENRY MILLER RD TRAFFIC IS RESTORED

**NOTES:**

1. TEMPORARY DETOUR ROADWAY TO BE USED DURING CONSTRUCTION OF GRADE SEPARATION. SEE DRAWING CV-11601 FOR DETAILS.
2. HST TRACKS TO BE CONSTRUCTED FOLLOWING COMPLETION OF GRADE SEPARATION WORK.



**SAN JOSE TO CVY EIR/S: VOLUME III  
ALTERNATIVE 3  
BOOK 3E  
SHEET 172 OF 216**



4/30/2019 5:15:36 PM CAHSRP.tbl c:\voad\1b\pw\rdel\leon\46037\_cv-11602.dgn

MATCHLINE SEE DRAWING CV-11603

| REV | DATE | BY | CHK | APP | DESCRIPTION |
|-----|------|----|-----|-----|-------------|
|     |      |    |     |     |             |
|     |      |    |     |     |             |
|     |      |    |     |     |             |
|     |      |    |     |     |             |

|             |
|-------------|
| DESIGNED BY |
| DRAWN BY    |
| CHECKED BY  |
| IN CHARGE   |
| DATE        |

**RECORD PEPD  
SUBMITTAL**

**MAY 3, 2019**

**NOT FOR  
CONSTRUCTION**

**HNTB** 1111 Broadway  
9th Floor  
Oakland, CA 94607



**CALIFORNIA HIGH-SPEED TRAIN PROJECT**

**SAN JOSE TO MERCED**

SAN JOAQUIN VALLEY  
HENRY MILLER ROAD  
CONSTRUCTION STAGING PLAN  
HENRY MILLER ROAD GRADE SEPARATION

|              |          |
|--------------|----------|
| CONTRACT NO. | HSR15-34 |
| DRAWING NO.  | CV-11602 |
| SCALE        | AS SHOWN |
| SHEET NO.    |          |



**VOLTA, MERCED COUNTY**

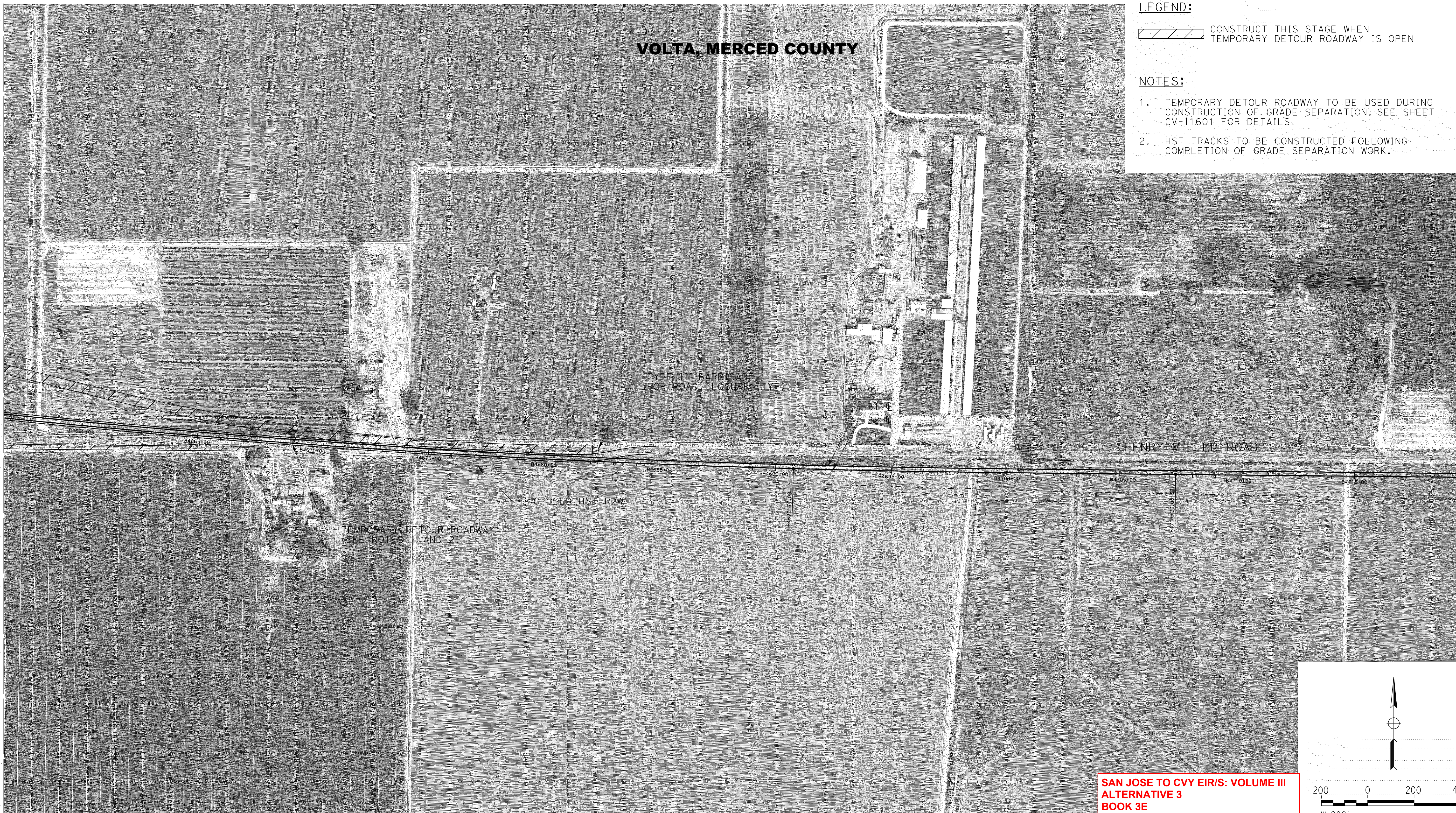
**LEGEND:**

 CONSTRUCT THIS STAGE WHEN TEMPORARY DETOUR ROADWAY IS OPEN

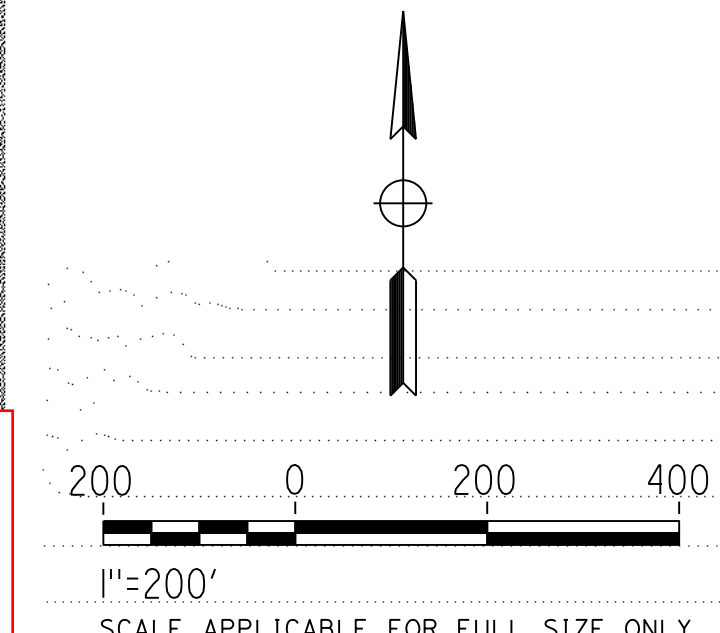
**NOTES:**

1. TEMPORARY DETOUR ROADWAY TO BE USED DURING CONSTRUCTION OF GRADE SEPARATION. SEE SHEET CV-11601 FOR DETAILS.
2. HST TRACKS TO BE CONSTRUCTED FOLLOWING COMPLETION OF GRADE SEPARATION WORK.

MATCHLINE SEE DRAWING CV-11602



**SAN JOSE TO CVY EIR/S: VOLUME III  
ALTERNATIVE 3  
BOOK 3E  
SHEET 173 OF 216**



4/30/2019 5:17:09 PM CAHSRP.tbl cvd\_paf\_bw.plt c:\cadd\lib\pwr\delion\46037\_cahsr\dms18501\JM-CV-11603.dgn

| REV | DATE | BY | CHK | APP | DESCRIPTION |
|-----|------|----|-----|-----|-------------|
|     |      |    |     |     |             |
|     |      |    |     |     |             |
|     |      |    |     |     |             |
|     |      |    |     |     |             |

|             |  |
|-------------|--|
| DESIGNED BY |  |
| DRAWN BY    |  |
| CHECKED BY  |  |
| IN CHARGE   |  |
| DATE        |  |

**RECORD PEPD  
SUBMITTAL**

**MAY 3, 2019**

**NOT FOR  
CONSTRUCTION**

**HNTB** 1111 Broadway  
9th Floor  
Oakland, CA 94607



**CALIFORNIA HIGH-SPEED TRAIN PROJECT**

**SAN JOSE TO MERCED**

SAN JOAQUIN VALLEY  
HENRY MILLER ROAD  
CONSTRUCTION STAGING PLAN  
HENRY MILLER ROAD GRADE SEPARATION

|              |          |
|--------------|----------|
| CONTRACT NO. | HSR15-34 |
| DRAWING NO.  | CV-11603 |
| SCALE        | AS SHOWN |
| SHEET NO.    |          |



4/30/2019 5:18:25 PM CAHSRP.tbl cvd\_paf\_bw.pltcf g c:\voad\1b\pw\rdel\leon\46037\_cahsr\dms18501\JM-CV-11604.dgn

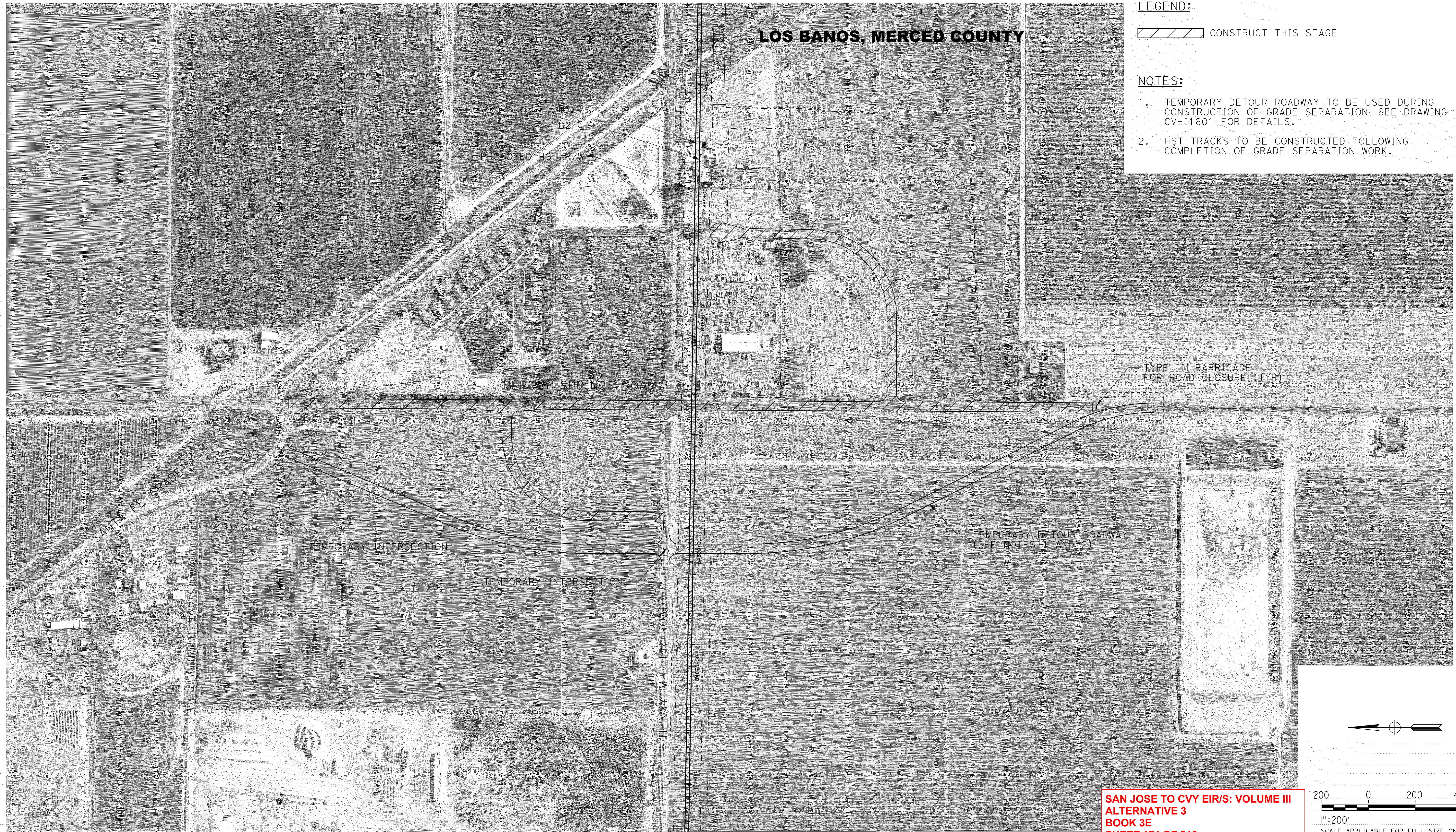
**LOS BANOS, MERCED COUNTY**

**LEGEND:**

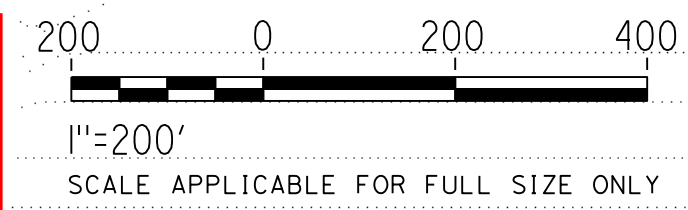
 CONSTRUCT THIS STAGE

**NOTES:**

1. TEMPORARY DETOUR ROADWAY TO BE USED DURING CONSTRUCTION OF GRADE SEPARATION. SEE DRAWING CV-11601 FOR DETAILS.
2. HST TRACKS TO BE CONSTRUCTED FOLLOWING COMPLETION OF GRADE SEPARATION WORK.



**SAN JOSE TO CVY EIR/S: VOLUME III  
 ALTERNATIVE 3  
 BOOK 3E  
 SHEET 174 OF 216**



| REV | DATE | BY | CHK | APP | DESCRIPTION |
|-----|------|----|-----|-----|-------------|
|     |      |    |     |     |             |
|     |      |    |     |     |             |
|     |      |    |     |     |             |
|     |      |    |     |     |             |

|             |  |
|-------------|--|
| DESIGNED BY |  |
| DRAWN BY    |  |
| CHECKED BY  |  |
| IN CHARGE   |  |
| DATE        |  |

**RECORD PEPD  
 SUBMITTAL**  
  
**MAY 3, 2019**  
  
**NOT FOR  
 CONSTRUCTION**

**HNTB** 1111 Broadway  
 9th Floor  
 Oakland, CA 94607



**CALIFORNIA HIGH-SPEED TRAIN PROJECT**  
**SAN JOSE TO MERCED**  
 SAN JOAQUIN VALLEY  
 HENRY MILLER ROAD  
 CONSTRUCTION STAGING PLAN  
 SR-165 / MERCEY SPRINGS ROAD GRADE SEPARATION

|              |          |
|--------------|----------|
| CONTRACT NO. | HSR15-34 |
| DRAWING NO.  | CV-11604 |
| SCALE        | AS SHOWN |
| SHEET NO.    |          |



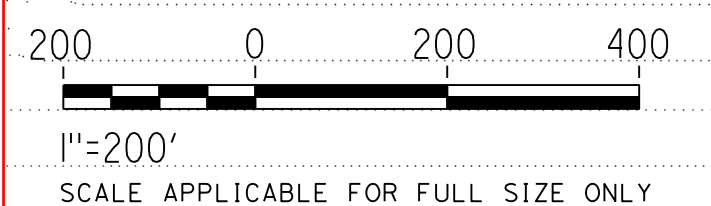
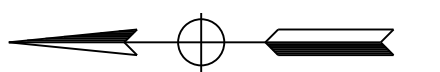
**MERCED COUNTY**

**LEGEND:**

 CONSTRUCT THIS STAGE

**NOTES:**

1. TEMPORARY DETOUR ROADWAY TO BE USED DURING CONSTRUCTION OF GRADE SEPARATION. SEE DRAWING CV-11601 FOR DETAILS.
2. HST TRACKS TO BE CONSTRUCTED FOLLOWING COMPLETION OF GRADE SEPARATION WORK.



**SAN JOSE TO CVY EIR/S: VOLUME III  
ALTERNATIVE 3  
BOOK 3E  
SHEET 175 OF 216**

4/30/2019 5:19:35 PM CAHSRP.tbl c:\cadd\lib\pw\rdel\leon\46037\_cahsr\dms18501\JM-CV-11605.dgn

| REV | DATE | BY | CHK | APP | DESCRIPTION |
|-----|------|----|-----|-----|-------------|
|     |      |    |     |     |             |
|     |      |    |     |     |             |
|     |      |    |     |     |             |
|     |      |    |     |     |             |

|             |  |
|-------------|--|
| DESIGNED BY |  |
| DRAWN BY    |  |
| CHECKED BY  |  |
| IN CHARGE   |  |
| DATE        |  |

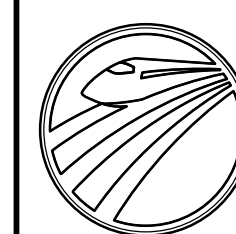
**RECORD PEPP  
SUBMITTAL**

**MAY 3, 2019**

**NOT FOR  
CONSTRUCTION**



1111 Broadway  
9th Floor  
Oakland, CA 94607



**CALIFORNIA**  
High-Speed Rail Authority

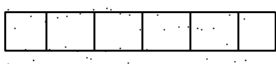
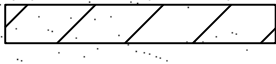
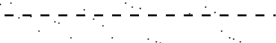
**CALIFORNIA HIGH-SPEED TRAIN PROJECT**  
**SAN JOSE TO MERCED**  
SAN JOAQUIN VALLEY  
HENRY MILLER ROAD  
CONSTRUCTION STAGING PLAN  
DELTA ROAD GRADE SEPARATION

|              |          |
|--------------|----------|
| CONTRACT NO. | HSR15-34 |
| DRAWING NO.  | CV-11605 |
| SCALE        | AS SHOWN |
| SHEET NO.    |          |



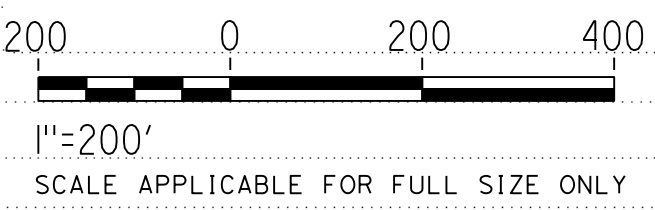
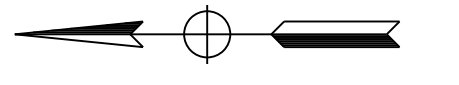
**MERCED COUNTY**

**LEGEND:**

-  CONSTRUCT STAGE 1 (CONSTRUCT AS PART OF TEMPORARY ROAD)
-  CONSTRUCT STAGE 2
-  TEMPORARY CONSTRUCTION EASEMENT

**NOTES:**

1. TEMPORARY DETOUR ROADWAY AND CONNECTOR ROAD TO BE USED DURING CONSTRUCTION OF GRADE SEPARATION. SEE DRAWING CV-11601 FOR DETAILS.
2. HST TRACKS TO BE CONSTRUCTED FOLLOWING COMPLETION OF GRADE SEPARATION WORK.



**SAN JOSE TO CVY EIR/S: VOLUME III  
ALTERNATIVE 3  
BOOK 3E  
SHEET 176 OF 216**

4/30/2019 5:20:42 PM CAHSRP.tbl cvd\_paf\_bw.pltfcg c:\cadd\lib\pwr\rdel\leon\46037\_cahsr\dm\18501\JM-CV-11606.dgn

| REV | DATE | BY | CHK | APP | DESCRIPTION |
|-----|------|----|-----|-----|-------------|
|     |      |    |     |     |             |
|     |      |    |     |     |             |
|     |      |    |     |     |             |
|     |      |    |     |     |             |

|             |  |
|-------------|--|
| DESIGNED BY |  |
| DRAWN BY    |  |
| CHECKED BY  |  |
| IN CHARGE   |  |
| DATE        |  |

**RECORD PEPD  
SUBMITTAL**

**MAY 3, 2019**

**NOT FOR  
CONSTRUCTION**

**HNTB** 1111 Broadway  
9th Floor  
Oakland, CA 94607



**CALIFORNIA**  
High-Speed Rail Authority

**CALIFORNIA HIGH-SPEED TRAIN PROJECT**

**SAN JOSE TO MERCED**

SAN JOAQUIN VALLEY  
HENRY MILLER ROAD  
CONSTRUCTION STAGING PLAN  
TURNER ISLAND ROAD GRADE SEPARATION

|              |          |
|--------------|----------|
| CONTRACT NO. | HSR15-34 |
| DRAWING NO.  | CV-11606 |
| SCALE        | AS SHOWN |
| SHEET NO.    |          |



**MERCED COUNTY**

**LEGEND:**

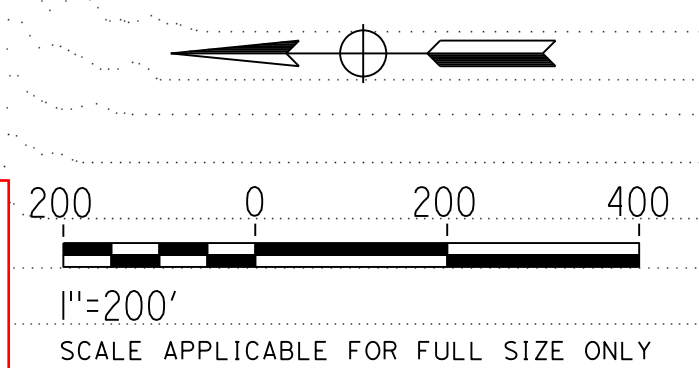
 CONSTRUCT THIS STAGE

**NOTES:**

1. TEMPORARY DETOUR ROADWAY TO BE USED DURING CONSTRUCTION OF GRADE SEPARATION. SEE SHEET CV-I1601 FOR DETAILS.
2. HST TRACKS TO BE CONSTRUCTED FOLLOWING COMPLETION OF GRADE SEPARATION WORK.



**SAN JOSE TO CVY EIR/S: VOLUME III  
ALTERNATIVE 3  
BOOK 3E  
SHEET 177 OF 216**



4/30/2019 5:21:56 PM CAHSRP.tbl cvd\_paf\_bw.plt c:\voad\lib\pwr\rdel\leon\46037\_cahsr\dms18501\JM-CV-I1607.dgn

| REV | DATE | BY | CHK | APP | DESCRIPTION |
|-----|------|----|-----|-----|-------------|
|     |      |    |     |     |             |
|     |      |    |     |     |             |
|     |      |    |     |     |             |
|     |      |    |     |     |             |

|             |
|-------------|
| DESIGNED BY |
| DRAWN BY    |
| CHECKED BY  |
| IN CHARGE   |
| DATE        |

**RECORD PEPP  
SUBMITTAL**

**MAY 3, 2019**

**NOT FOR  
CONSTRUCTION**

**HNTB** 1111 Broadway  
9th Floor  
Oakland, CA 94607



**CALIFORNIA HIGH-SPEED TRAIN PROJECT**

**SAN JOSE TO MERCED**

SAN JOAQUIN VALLEY  
HENRY MILLER ROAD  
CONSTRUCTION STAGING PLAN  
CARLUCCI ROAD GRADE SEPARATION

|              |          |
|--------------|----------|
| CONTRACT NO. | HSR15-34 |
| DRAWING NO.  | CV-I1607 |
| SCALE        | AS SHOWN |
| SHEET NO.    |          |