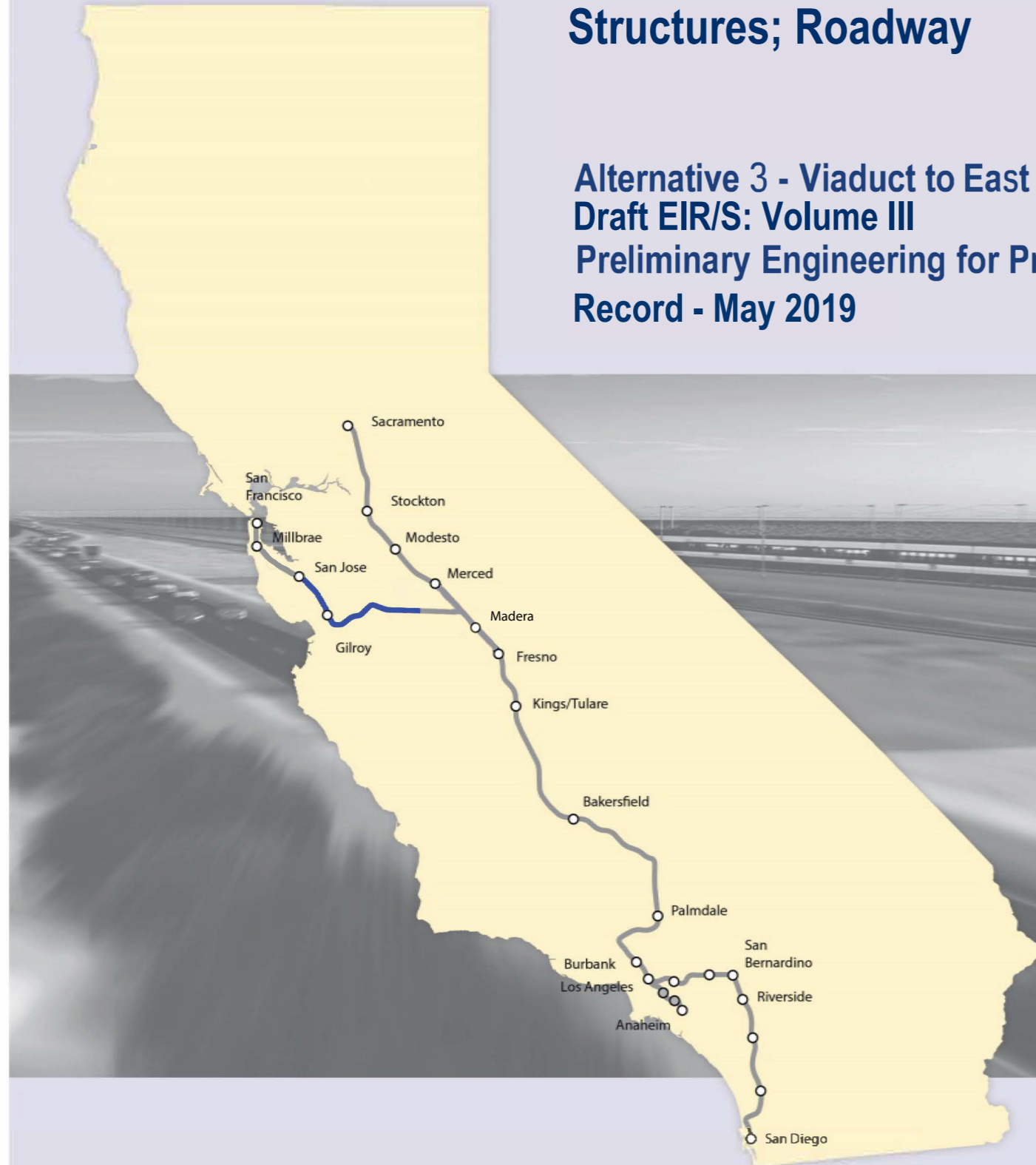


California High-Speed Rail Authority

San Jose to Merced Section: San Jose to Central Valley Wye

Structures; Roadway

Alternative 3 - Viaduct to East Gilroy
Draft EIR/S: Volume III
Preliminary Engineering for Project Definition
Record - May 2019



**SAN JOSE TO CVY EIR/S: VOLUME III
ALTERNATIVE 3
BOOK 3C
SHEET 75 - 108 OF 216**

ALTERNATIVE 3 - VIADUCT TO EAST GILROY

BOOK	SHEET NO	DRAWING NO	SUBSECTION	GEOGRAPHIC LOCATION	ALIGNMENT OR FEATURE	SHEET DESCRIPTION	ADDITIONAL DESCRIPTION
------	----------	------------	------------	---------------------	----------------------	-------------------	------------------------

COVER, INDEX OF DRAWING AND KEY MAPS

BOOK 3C	A	COVER	SAN JOSE TO MERCED SECTION	N/A	SAN JOSE TO CENTRAL VALLEY WYE	ALTERNATIVE 3	VIADUCT TO EAST GILROY
BOOK 3C	B	GE-A0304	ENTIRE ALTERNATIVE	COMPLEX STRUCTURES, GRADE SEPARATIONS	INDEX OF DRAWING	SHEET 4 OF 7	
BOOK 3C	C	GE-D0301	GENERAL	ENTIRE ALTERNATIVE	KEY MAP	COMPOSITE PLAN	
BOOK 3C	D	GE-D0302	GENERAL	ENTIRE ALTERNATIVE	KEY MAP	SYSTEMS SITES	

STRUCTURES

BOOK 3C	75	ST-V0151	SAN JOSE DIRIDON STATION APPROACH	W TAYLOR ST	VIADUCT TO I-880	COMPLEX STRUCTURES	GENERAL PLAN 1 OF 2
BOOK 3C	76	ST-V0152	SAN JOSE DIRIDON STATION APPROACH	W SANTA CLARA ST	VIADUCT TO I-880	COMPLEX STRUCTURES	GENERAL PLAN 2 OF 2
BOOK 3C	77	ST-T0151	SAN JOSE DIRIDON STATION APPROACH	UPRR T-13, W TAYLOR ST	VIADUCT TO I-880	OVERPASSES AND UNDERPASSES	HEDDING ST AND TAYLOR ST
BOOK 3C	78	ST-V0301	SAN JOSE DIRIDON STATION APPROACH	N/A	VIADUCT TO I-880	TYPICAL SECTIONS	SHEET 1 OF 3
BOOK 3C	79	ST-V0302	SAN JOSE DIRIDON STATION APPROACH	N/A	VIADUCT TO I-880	TYPICAL SECTIONS	SHEET 2 OF 3
BOOK 3C	80	ST-V0303	SAN JOSE DIRIDON STATION APPROACH	N/A	VIADUCT TO I-880	TYPICAL SECTIONS	SHEET 3 OF 3
BOOK 3C	81	ST-T0301	SAN JOSE DIRIDON STATION APPROACH	I-880, SR 85	VIADUCT TO I-880	CALTRANS STRUCTURES	GENERAL PLAN
BOOK 3C	82	ST-T0401	MONTEREY CORRIDOR	ALMADEN EXPY, CURTNER AVE	VIADUCT/AT-GRADE	OVERPASSES AND UNDERPASSES	GENERAL PLAN
BOOK 3C	83	ST-V0601	MONTEREY CORRIDOR	CAPITOL CALTRAIN, CAPITOL EXPY	VIADUCT	COMPLEX STRUCTURES	GENERAL PLAN 1 OF 2
BOOK 3C	84	ST-V0602	MONTEREY CORRIDOR	BLOSSOM HILL RD, BERNAL RD	VIADUCT	COMPLEX STRUCTURES	GENERAL PLAN 2 OF 2
BOOK 3C	85	ST-V0701	MORGAN HILL AND GILROY	BAILEY AVE, COCHRANE RD	VIADUCT TO DOWNTOWN GILROY	COMPLEX STRUCTURES	GENERAL PLAN 1 OF 2
BOOK 3C	86	ST-V0702	MORGAN HILL AND GILROY	US 101, LLAGAS CREEK	VIADUCT TO DOWNTOWN GILROY	COMPLEX STRUCTURES	GENERAL PLAN 2 OF 2
BOOK 3C	87	ST-T0701	MORGAN HILL AND GILROY	BAILEY AVE, I-5	VIADUCT TO DOWNTOWN GILROY	CALTRANS STRUCTURES	GENERAL PLAN
BOOK 3C	88	ST-V0901	MORGAN HILL AND GILROY	US 101	VIADUCT TO DOWNTOWN GILROY	COMPLEX STRUCTURES	GENERAL PLAN
BOOK 3C	89	ST-V1101	MORGAN HILL AND GILROY	US 101, LLAGAS CREEK	VIADUCT TO EAST GILROY	COMPLEX STRUCTURES	GENERAL PLAN
BOOK 3C	90	ST-V1401	PACHECO PASS	CALIFORNIA AQUEDUCT, CCID OUTSIDE CANAL	TUNNEL	COMPLEX STRUCTURES	GENERAL PLAN
BOOK 3C	91	ST-V1601	SAN JOAQUIN VALLEY	SAN LUIS WASTEWAY, LOS BANOS CREEK	HENRY MILLER ROAD	COMPLEX STRUCTURES	GENERAL PLAN

ROADWAY

SAN JOSE DIRIDON STATION APPROACH

BOOK 3C	92	CV-T0151	SAN JOSE DIRIDON STATION APPROACH	CHESTNUT AVE, ELM ST	VIADUCT TO I-880	PLAN, PROFILE AND TYPICAL SECTIONS	WEST HEDDING STREET
BOOK 3C	93	CV-T0152	SAN JOSE DIRIDON STATION APPROACH	W TAYLOR ST, COLEMAN AVE	VIADUCT TO I-880	PLAN, PROFILE AND TYPICAL SECTIONS	WEST TAYLOR STREET

MONTEREY CORRIDOR

MONTEREY CORRIDOR				ROADWAY - MONTEREY CORRIDOR			
BOOK 3C	94	CV-S0601	MONTEREY CORRIDOR	CAPITOL EXPY, BLOSSOM HILL RD	VIADUCT	CIVIL DETAILS	
BOOK 3C	95	CV-T0401	MONTEREY CORRIDOR	WILLOW ST, W ALMA AVE	VIADUCT/AT-GRADE	GRADE SEPARATION LAYOUT, PROFILE, & CROSS SECTIONS	SR87 ON-RAMP
BOOK 3C	96	CV-T0402	MONTEREY CORRIDOR	CURTNER AVE	VIADUCT/AT-GRADE	GRADE SEPARATION LAYOUT, PROFILE, & CROSS SECTIONS	ALMADEN ROAD AND CURTNER AVENUE

MORGAN HILL AND GILROY

MORGAN HILL AND GILROY				ROADWAY - MORGAN HILL AND GILROY			
BOOK 3C	97	CV-S1101	MORGAN HILL AND GILROY	COHANSEY AVE, LAS ANIMAS AVE	VIADUCT TO EAST GILROY	CIVIL DETAILS	
BOOK 3C	98	CV-T1102	MORGAN HILL AND GILROY	LAS ANIMAS AVE, LEAVESLEY RD	VIADUCT TO EAST GILROY	GRADE SEPARATION LAYOUT, PROFILE, & CROSS SECTIONS	LAS ANIMAS AVE AND LEAVESLEY RD
BOOK 3C	99	CV-T1105	MORGAN HILL AND GILROY	SR 152	VIADUCT TO EAST GILROY	GRADE SEPARATION LAYOUT, PROFILE, & CROSS SECTIONS	SR 152
BOOK 3C	100	CV-T1106	MORGAN HILL AND GILROY	HOLSCLAW RD, FRAZIER LAKE RD	VIADUCT TO EAST GILROY	GRADE SEPARATION LAYOUT, PROFILE, & CROSS SECTIONS	HOLC1 -2, SR 152-2 AND FRAZIER LAKE ROAD
BOOK 3C	101	CV-G1101	MORGAN HILL AND GILROY	SR 152	VIADUCT TO EAST GILROY	SOAP LAKE FLOOD PLAIN	DETAIL

MORGAN HILL AND GILROY

MORGAN HILL AND GILROY				ROADWAY - MORGAN HILL AND GILROY			
BOOK 3C	102	CV-S0701	MORGAN HILL AND GILROY	ACCESS RD TO MONTEREY RD	VIADUCT TO DOWNTOWN GILROY	CIVIL DETAILS	
BOOK 3C	103	CV-S0901	MORGAN HILL AND GILROY	COHANSEY AVE, E LUCHESSA AVE	VIADUCT TO DOWNTOWN GILROY	CIVIL DETAILS	
BOOK 3C	104	CV-S1201	MORGAN HILL AND GILROY	LAKE RD, SR 152	VIADUCT TO DOWNTOWN GILROY	CIVIL DETAILS	
BOOK 3C	105	CV-T0704	MORGAN HILL AND GILROY		VIADUCT TO DOWNTOWN GILROY	GRADE SEPARATION LAYOUT, PROFILE, & CROSS SECTIONS	MONTEREY ROAD
BOOK 3C	106	CV-T0907	MORGAN HILL AND GILROY	BLOOMFIELD AVE, BOLSA AVE	VIADUCT TO DOWNTOWN GILROY	GRADE SEPARATION LAYOUT, PROFILE, & CROSS SECTIONS	BOLSA ROAD AND BLOOMFIELD AVENUE
BOOK 3C	107	CV-T0909	MORGAN HILL AND GILROY	BLOOMFIELD ACCESS RD	VIADUCT TO DOWNTOWN GILROY	GRADE SEPARATION LAYOUT, PROFILE, & CROSS SECTIONS	BLOOMFIELD ACCESS ROAD
BOOK 3C	108	CV-G0901	MORGAN HILL AND GILROY	CARNADERO AVE, SHELDON AVE	VIADUCT/AT-GRADE TO DOWNTOWN GILROY	SOAP LAKE FLOOD PLAIN	DETAIL

**SAN JOSE TO CVY EIR/S: VOLUME III
ALTERNATIVE 3
BOOK 3C
SHEET B**

1/2/2020 12:02:55 PM CAHSRP.tbl CHSR_Full_black.plt P:\575_HSR_JM_Civil - HNTB\06_CAD\Volume_3\CAD_in_Progress_JM\JM-GE-A0304.dgn KaiWang

REV	DATE	BY	CHK	APP	DESCRIPTION

DESIGNED BY	
DRAWN BY	
CHECKED BY	
IN CHARGE	
DATE	

**RECORD PEPD
SUBMITTAL**

MAY 3, 2019

**NOT FOR
CONSTRUCTION**

HNTB 1111 Broadway
9th Floor
Oakland, CA 94607

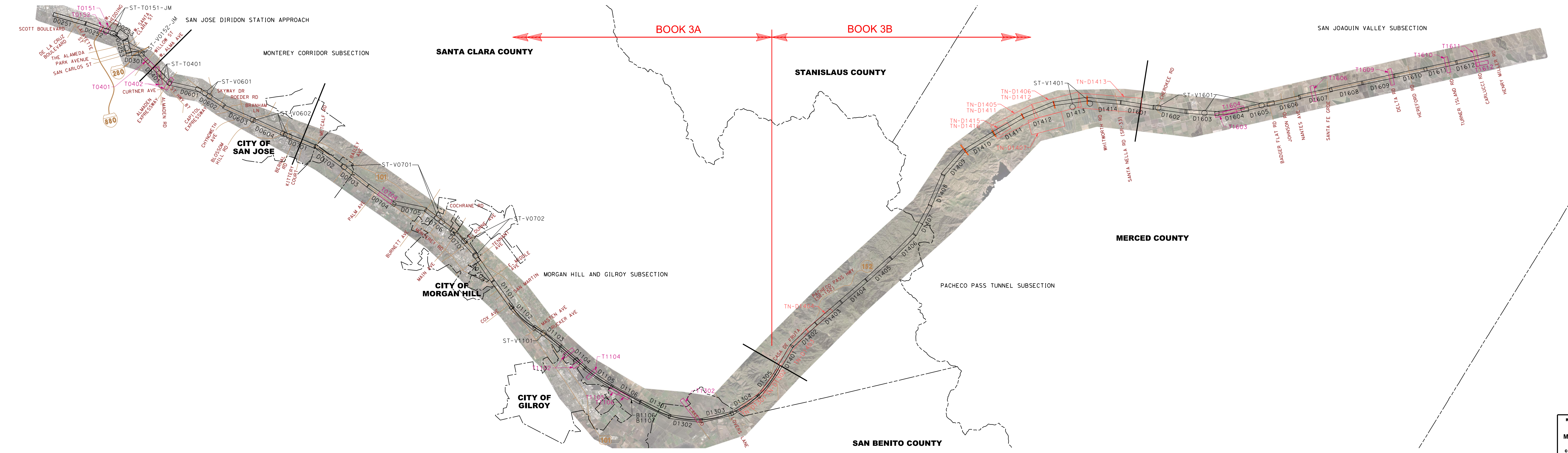


**CALIFORNIA HIGH-SPEED TRAIN PROJECT
SAN JOSE TO MERCED**
ALTERNATIVE 3
INDEX OF DRAWING
SHEET 4 OF 7

CONTRACT NO.	HSR15-34
DRAWING NO.	GE-A0304
SCALE	NONE
SHEET NO.	

ALTERNATIVE 3 BOOK INDEX

- BOOK 3A: COMPOSITE PLAN, PROFILE AND CROSS SECTIONS
- BOOK 3B: COMPOSITE PLAN, PROFILE AND CROSS SECTIONS, STATIONS
- BOOK 3C: STRUCTURES, ROADWAY
- BOOK 3D: ROADWAY, MAINTENANCE OF WAY, TUNNELS - PACHECO PASS
- BOOK 3E: CONSTRUCTION STAGING
- BOOK 3F: ALIGNMENT DATA TABLES



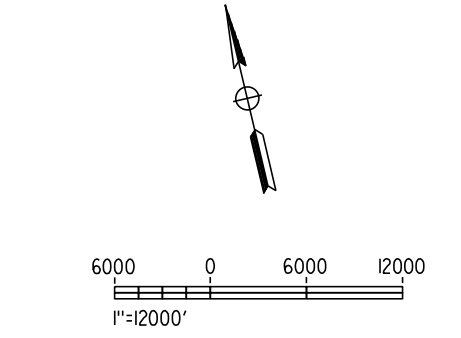
NOTE:
ALTERNATIVE KEY MAP SHOWN SIDE BY SIDE FOR CLARITY.

LEGEND

KEY MAP LEGEND

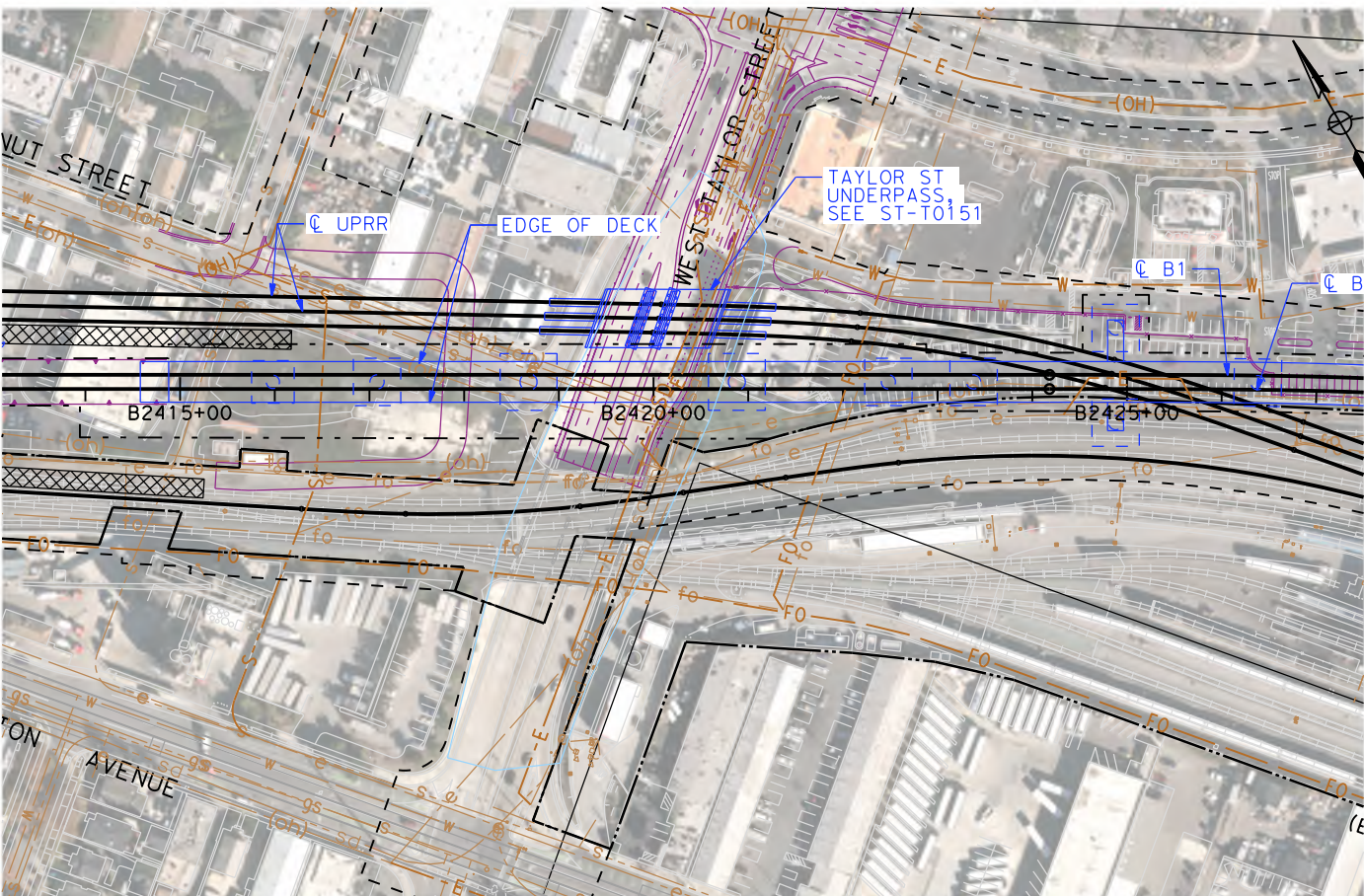
- S10-XX AERIAL ORTHO-PHOTO
- DXXXX COMPOSITE ROLL PLOTS
- TXXXX GRADE SEPARATION ROLL PLOTS
- TN-DXXXX TUNNEL ROLL PLOTS
- ST-TXXXX STRUCTURES ROLL PLOTS
- SECTION BREAK
- CITY LIMITS
- COUNTY LINE
- ALMADEN RD EXISTING ROAD

SAN JOSE TO CVY EIR/S: VOLUME III
ALTERNATIVE 3
BOOK 3C
SHEET C

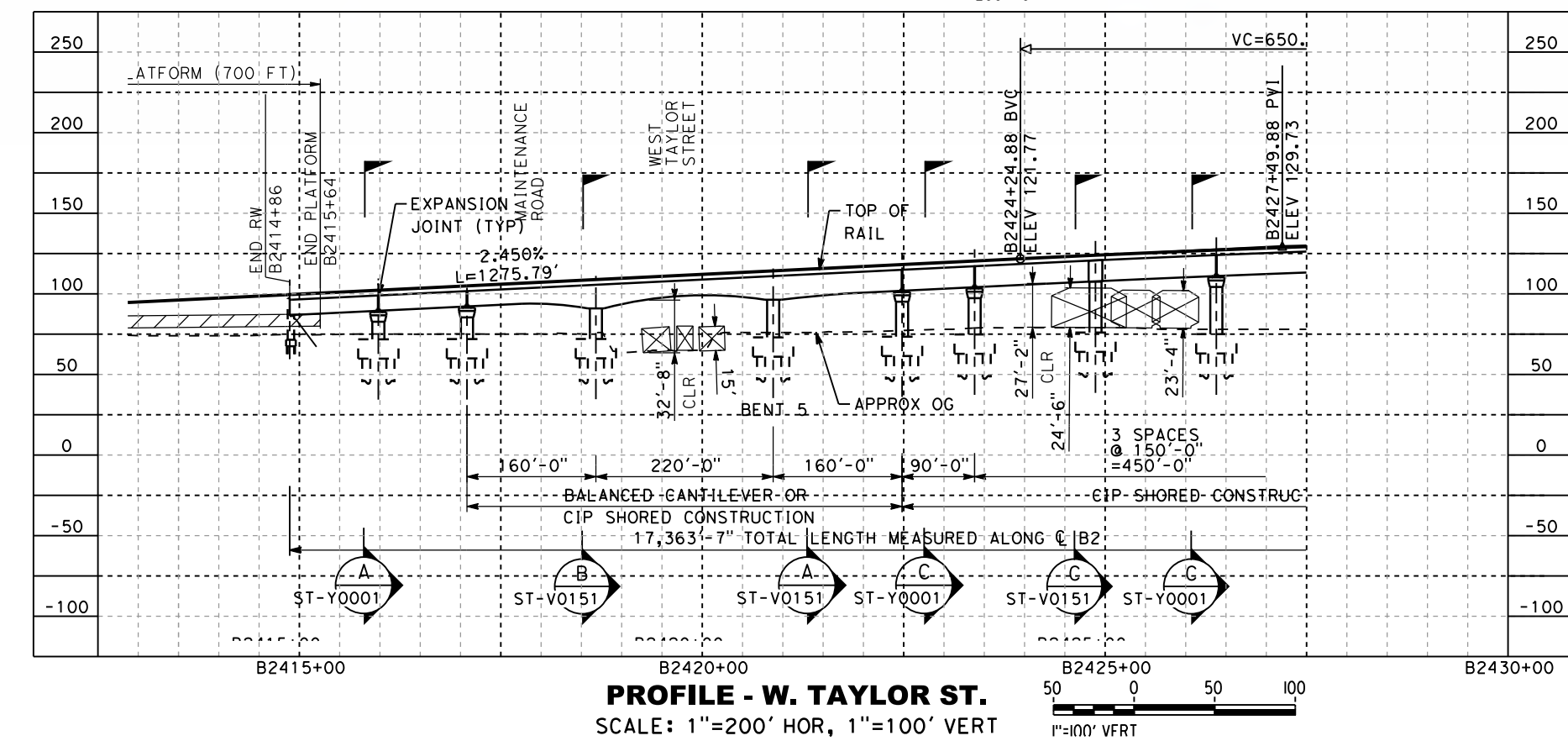


<p>RECORD PERIOD SUBMITTAL MAY 3, 2019 NOT FOR CONSTRUCTION</p>	<p>HNTB 1111 Broadway 9th Floor Oakland, CA 94607</p>	<p>CALIFORNIA High-Speed Rail Authority</p>	<p>CALIFORNIA HIGH-SPEED TRAIN PROJECT SAN JOSE TO MERCED ALTERNATIVE 3 KEY MAP COMPOSITE PLAN</p>	<p>CONTRACT NO. HSR15-34 DRAWING NO. CE-D0301 SCALE AS SHOWN SHEET NO.</p>
--	--	--	--	--

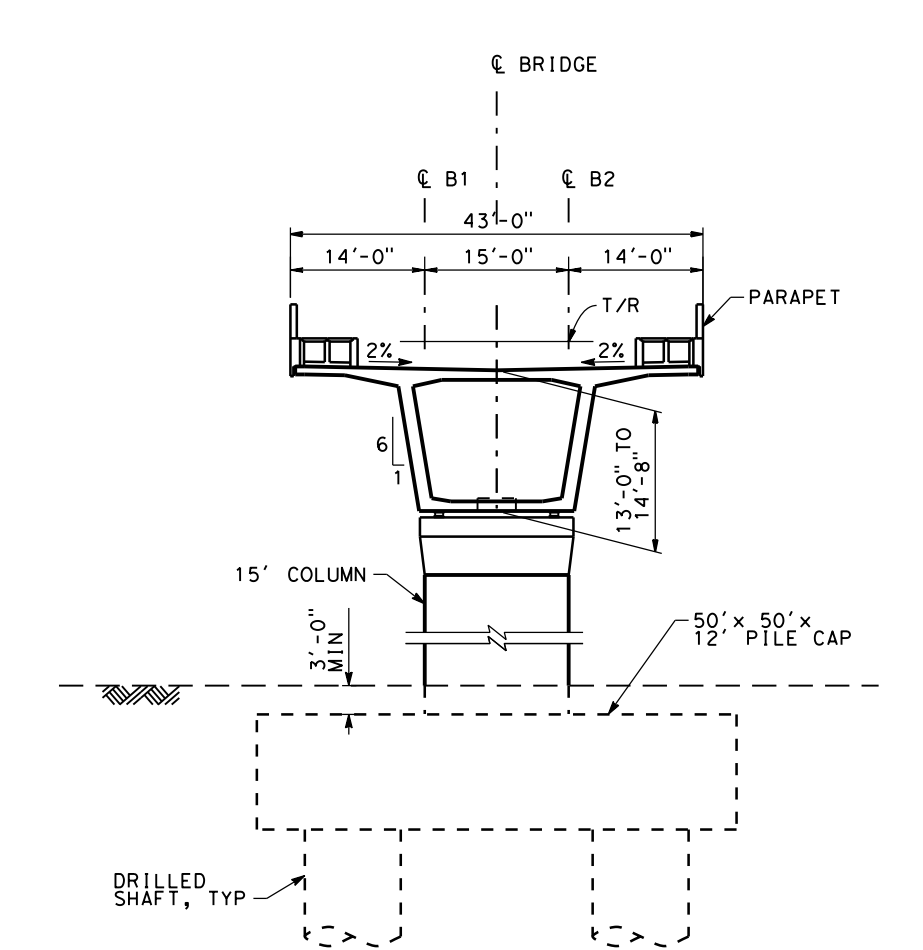
11/7/2019 8:52:25 AM c:\p02\proj\constr\11... hntb\106_140\volume_3\03_c..._alt3\p02\proj\constr\11... 2:57:55 pm alt3\11... hntb\106_140\volume_3\03_c..._alt3\p02\proj\constr\11...



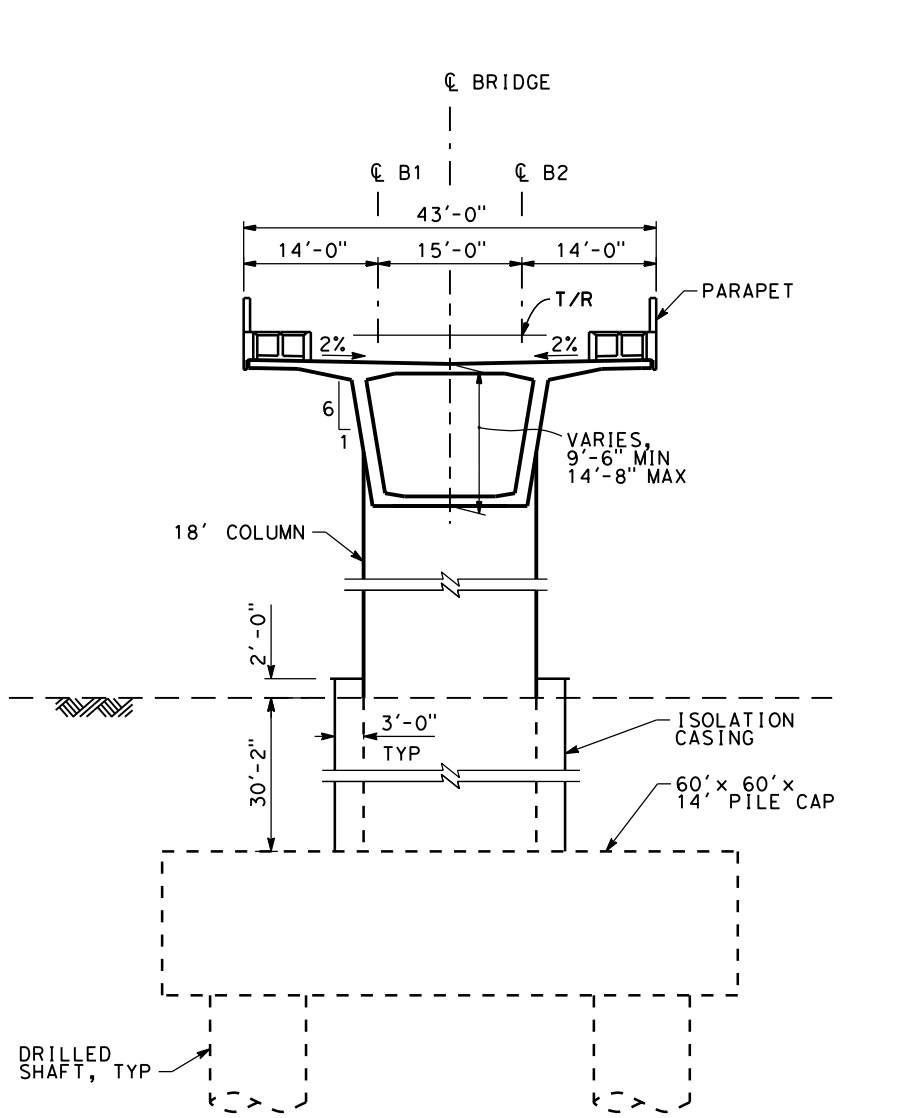
PLAN - W. TAYLOR ST.
SCALE: 1"=200'



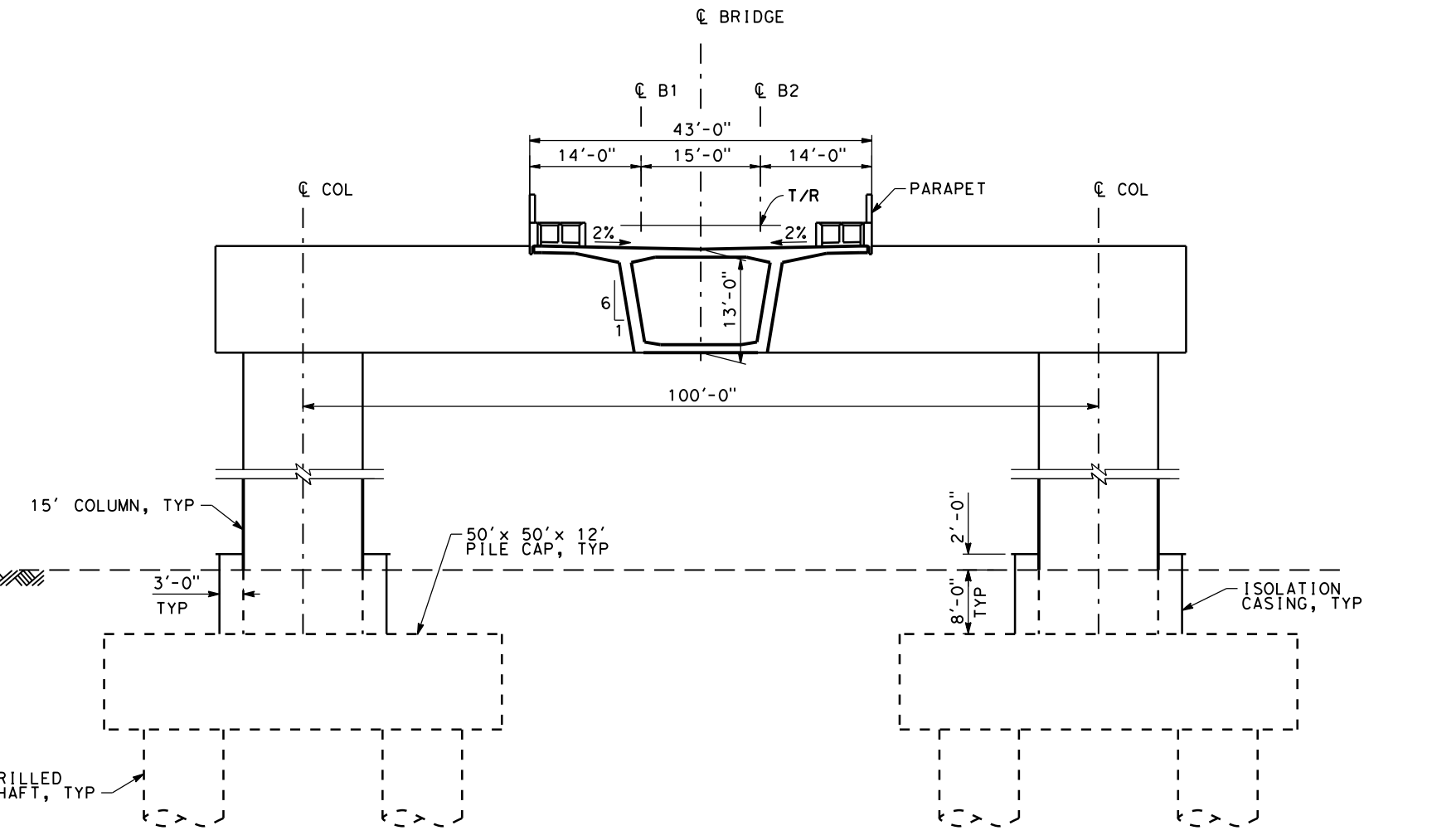
PROFILE - W. TAYLOR ST.
SCALE: 1"=200' HOR, 1"=100' VERT



SECTION A
SCALE 1"=20'-0"



SECTION B
SCALE 1"=20'-0"

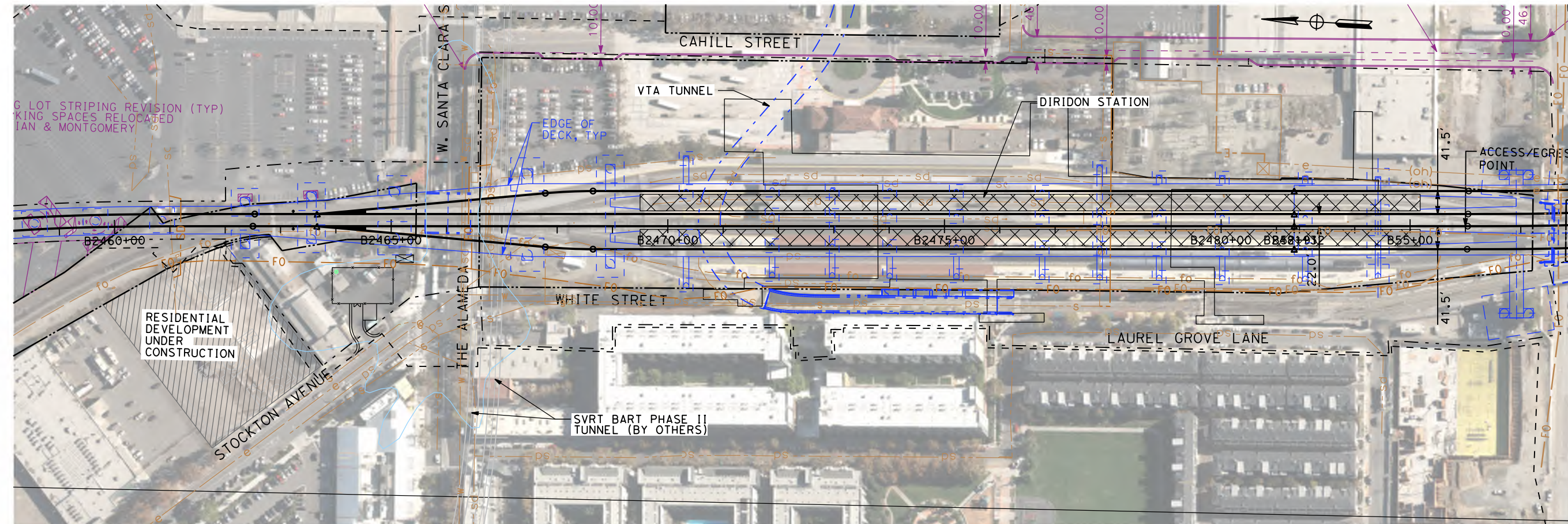


SECTION C
SCALE 1"=20'-0"

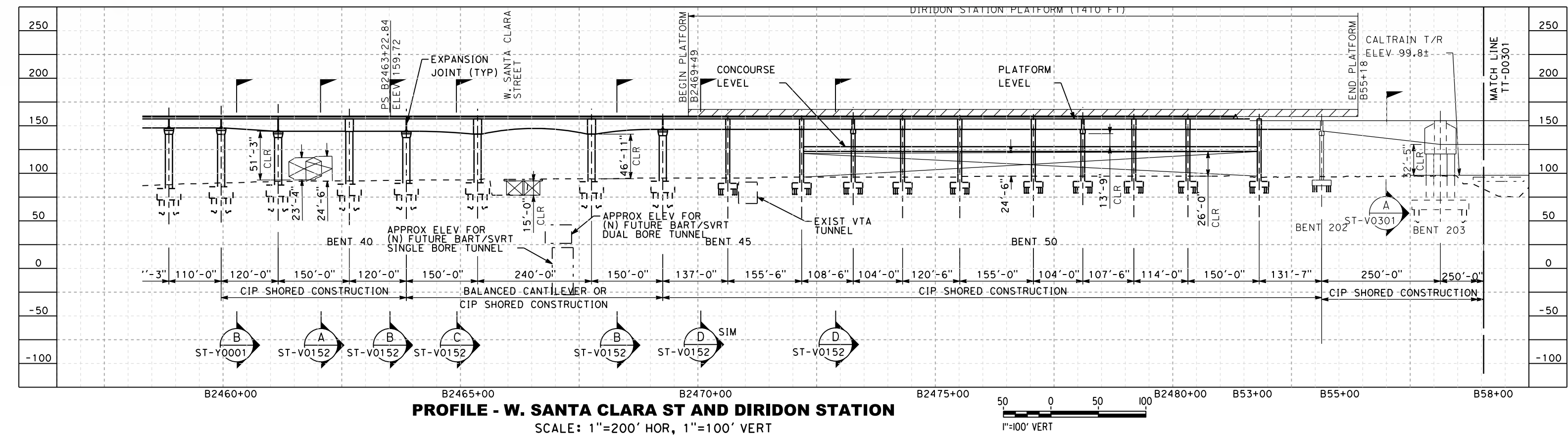
NOTE:
1. REFER TO GENERAL NOTES DRAWING NO. GE-B0101 FOR NOTES.

SAN JOSE TO CVY EIR/S: VOLUME III
ALTERNATIVE 3
BOOK 3C
SHEET 75 OF 216

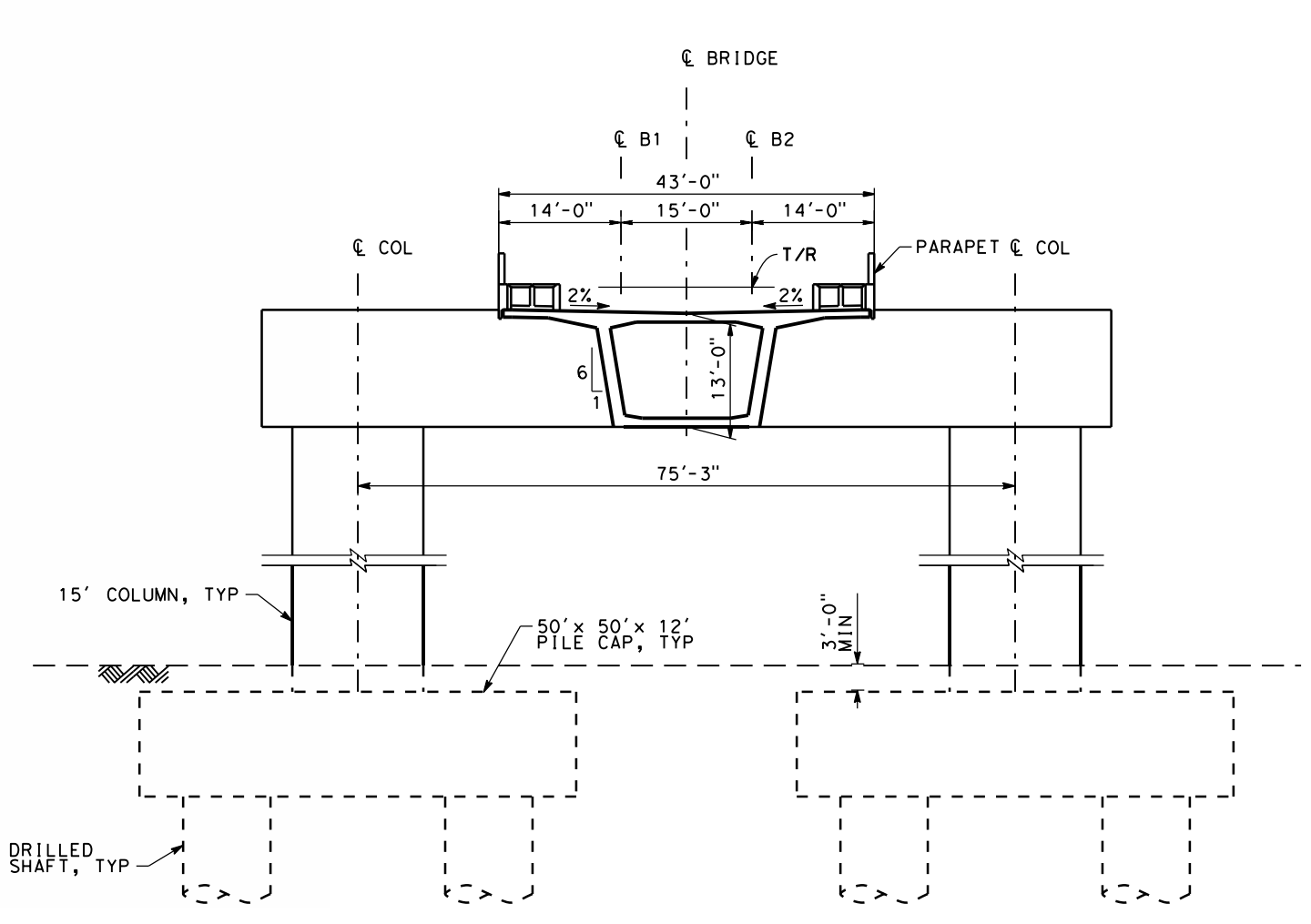
RECORD PERM SUBMITTAL MAY 3, 2019 NOT FOR CONSTRUCTION	HNTB 1111 Broadway 9th Floor Oakland, CA 94607	CALIFORNIA High-Speed Rail Authority	CALIFORNIA HIGH-SPEED TRAIN PROJECT SAN JOSE TO MERCED SAN JOSE DIRIDON STATION APPROACH VIADUCT TO 1-880 COMPLEX STRUCTURES GENERAL PLAN 1 OF 2	CONTRACT NO. HSR15-34 DRAWING NO. ST-V0151 SCALE AS SHOWN SHEET NO.
---	--	--	---	---



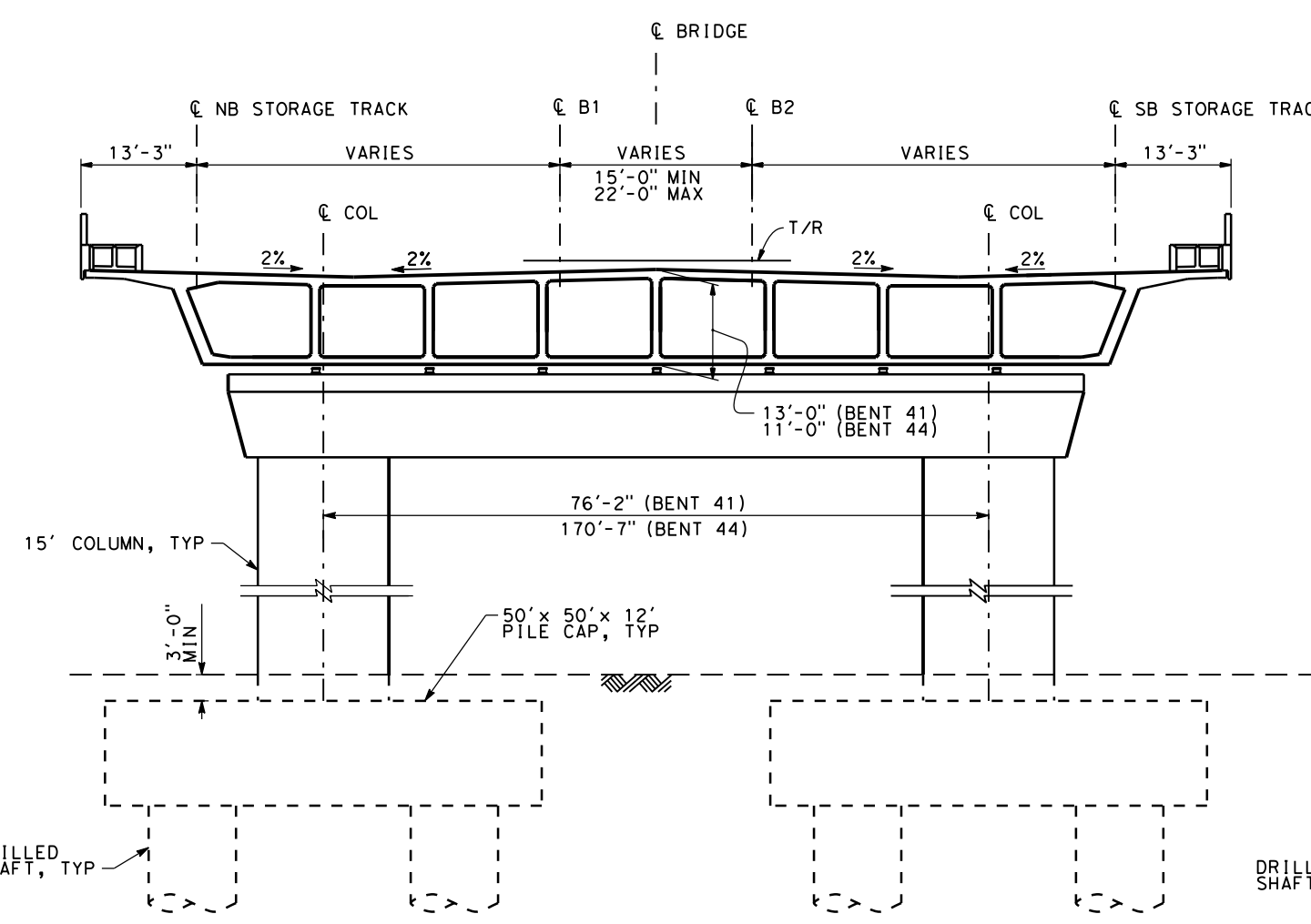
PLAN - W. SANTA CLARA ST AND DIRIDON STATION
SCALE: 1"=200'



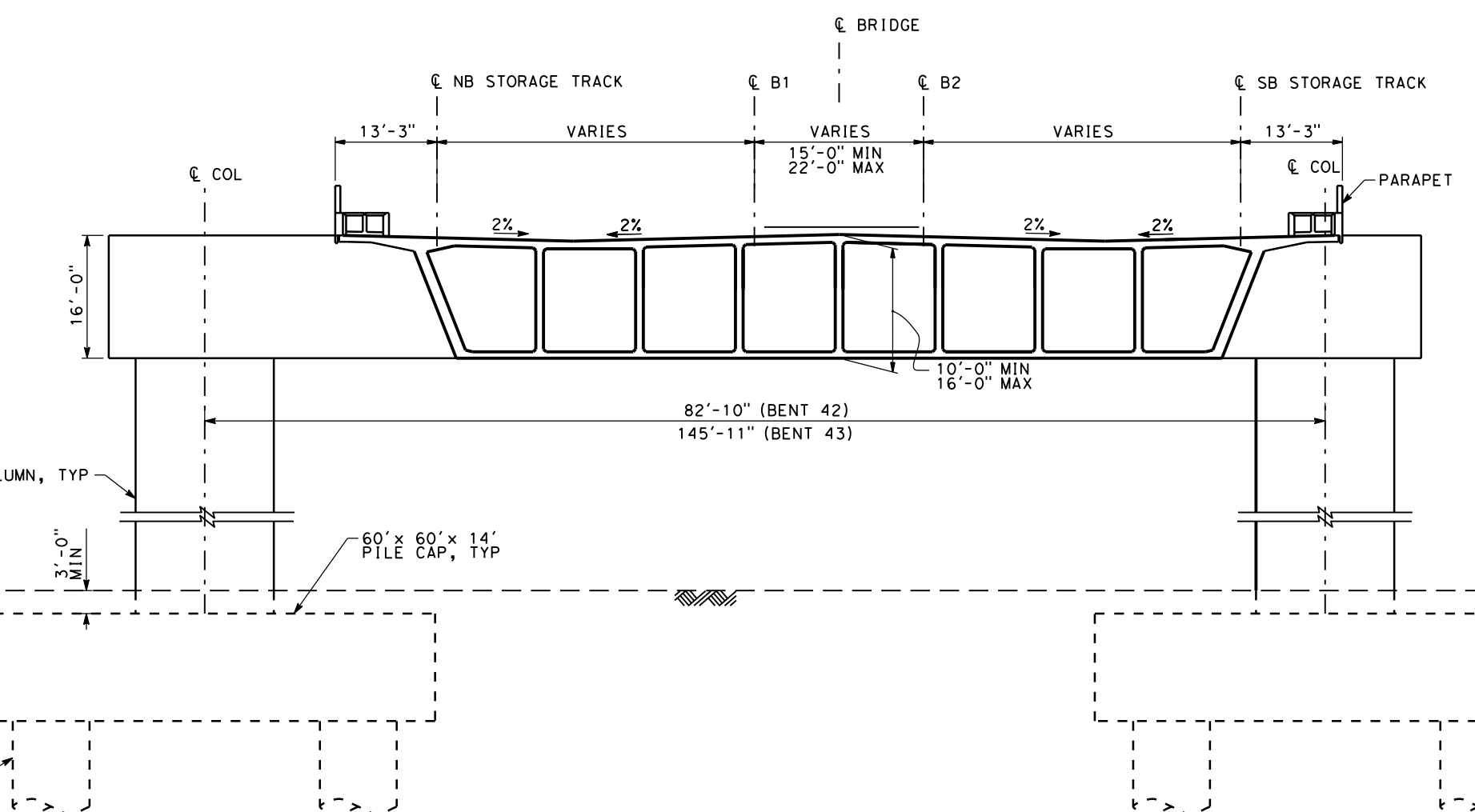
PROFILE - W. SANTA CLARA ST AND DIRIDON STATION
SCALE: 1"=200' HOR, 1"=100' VERT



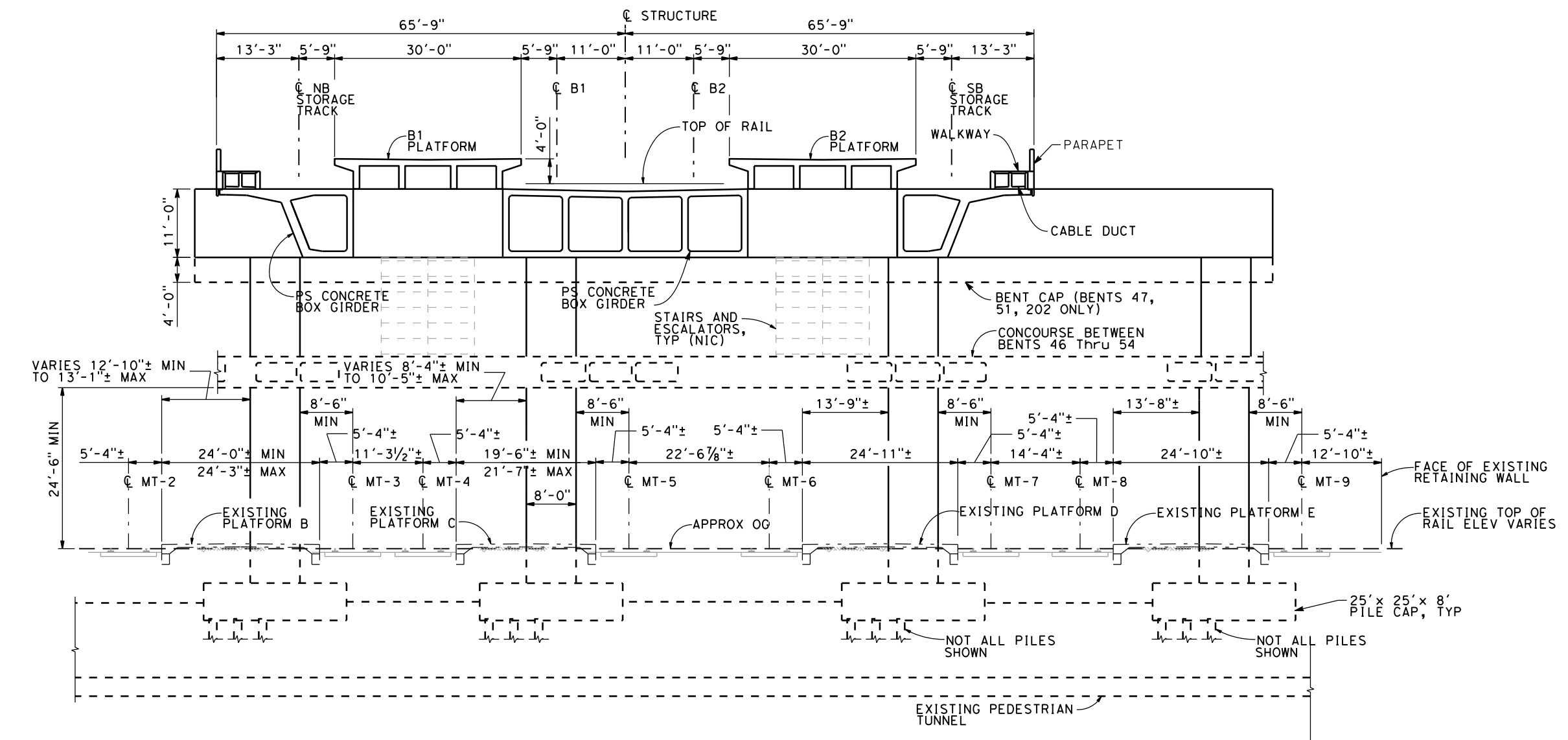
SECTION A
SCALE 1"=20'-0"



SECTION B
SCALE 1"=20'-0"



SECTION C
SCALE 1"=20'-0"

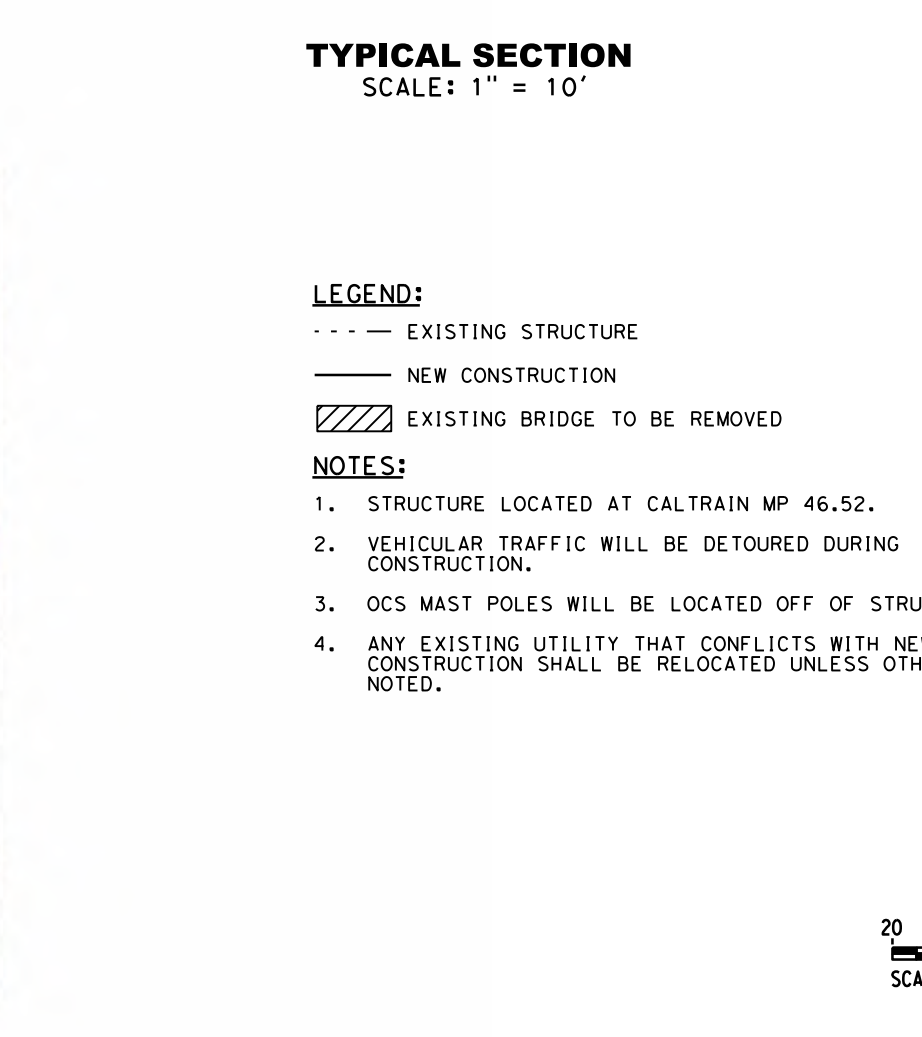
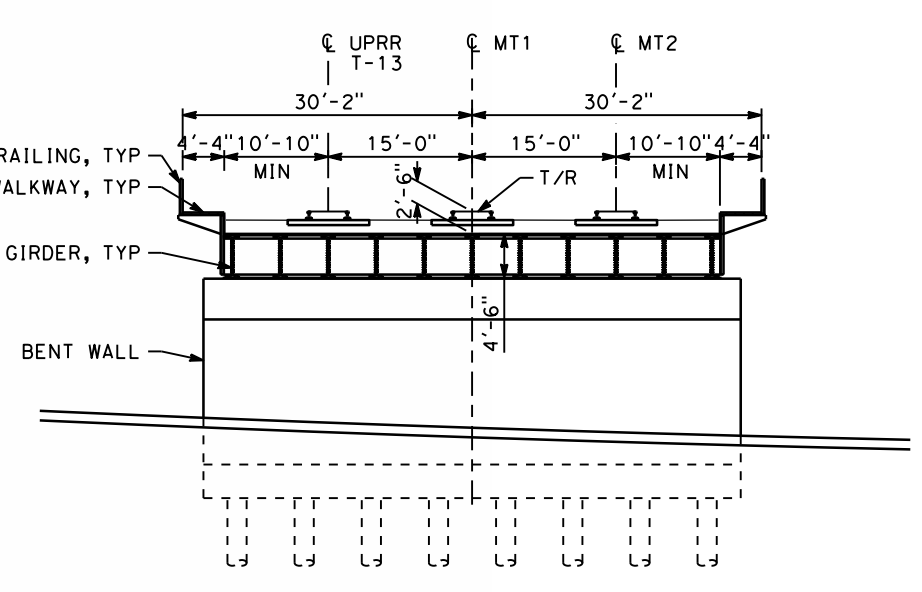
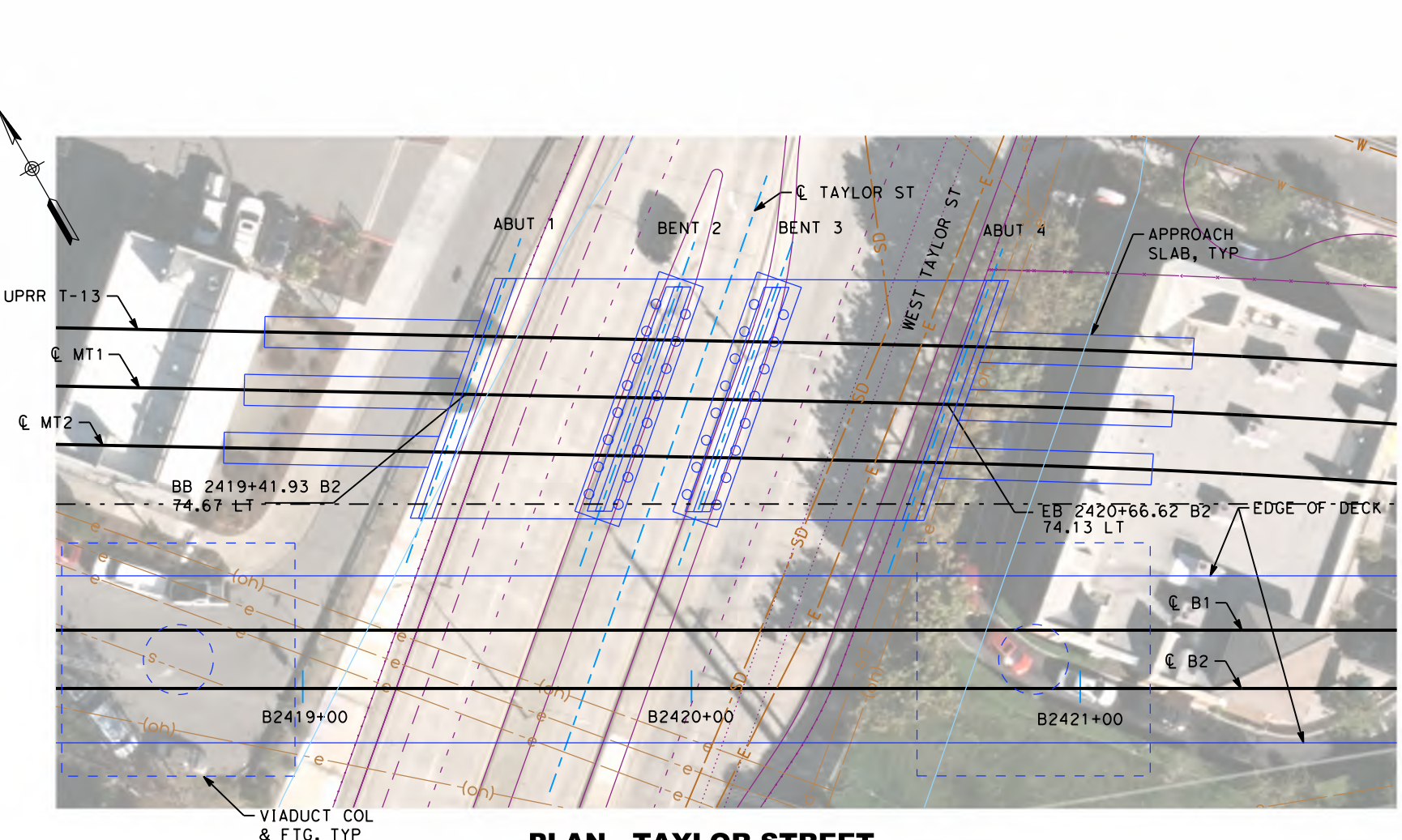
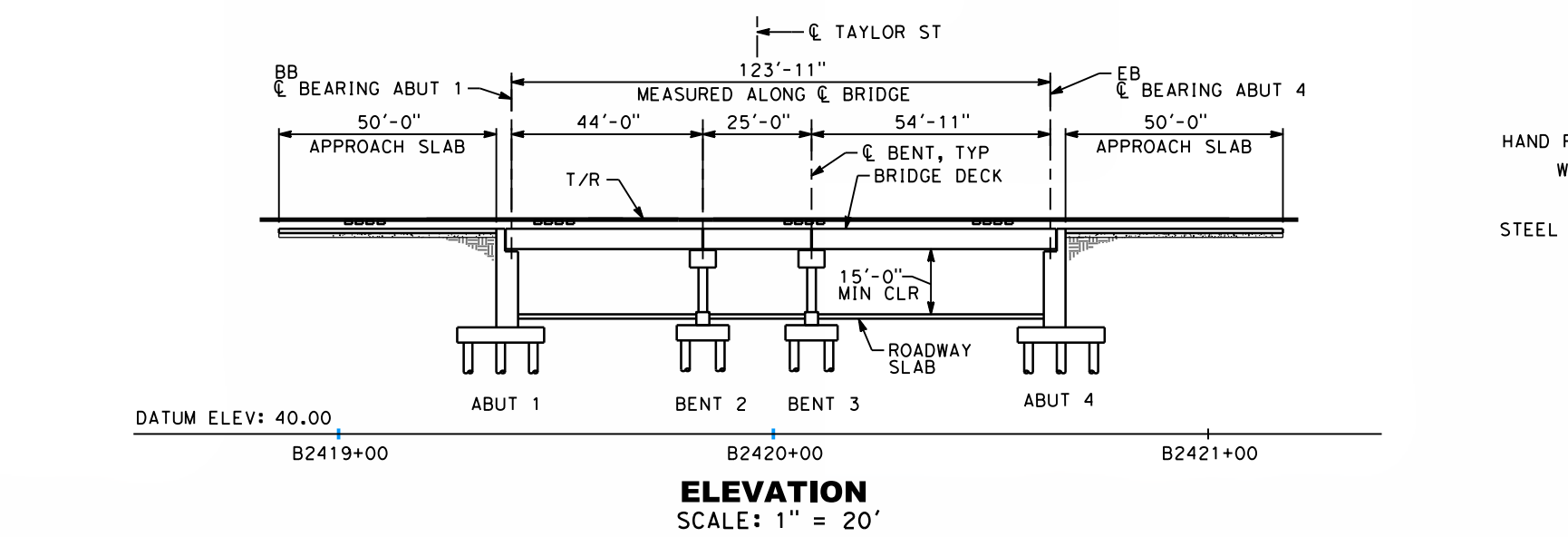
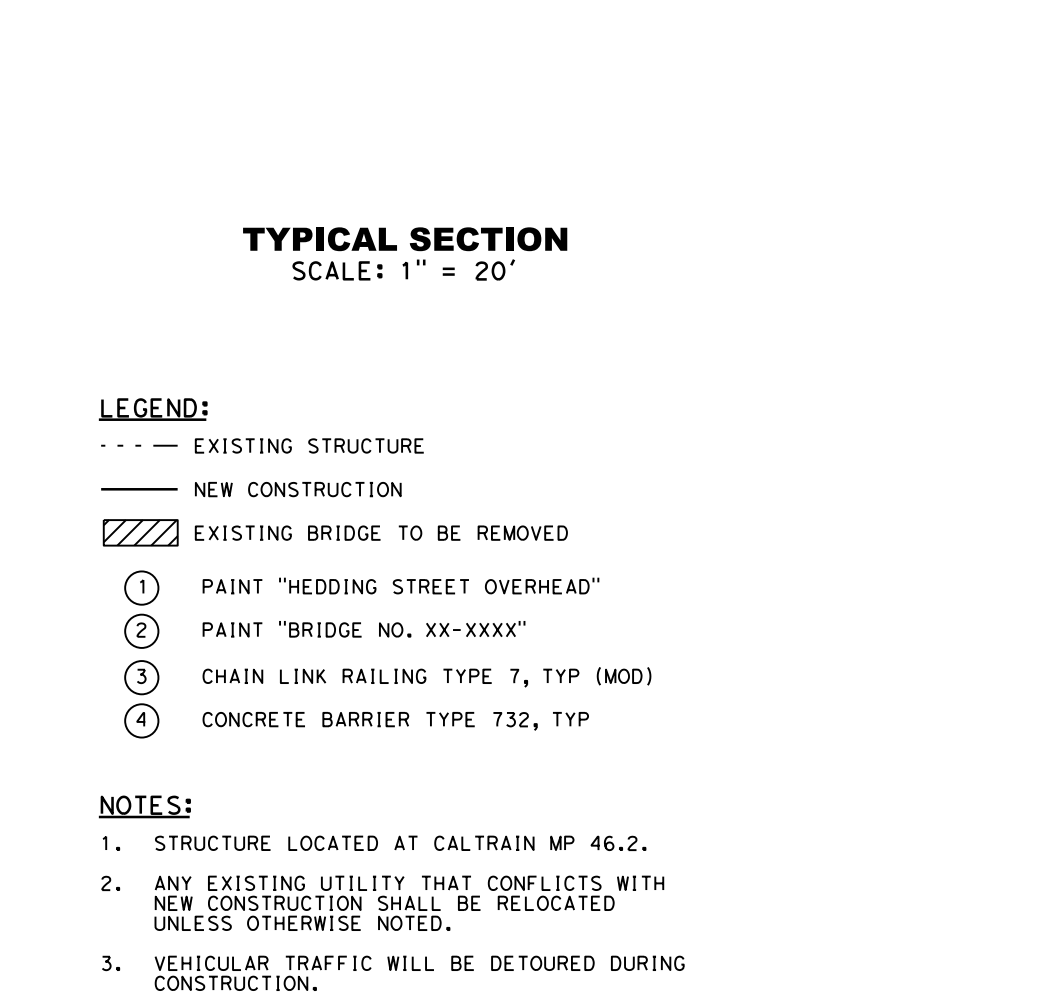
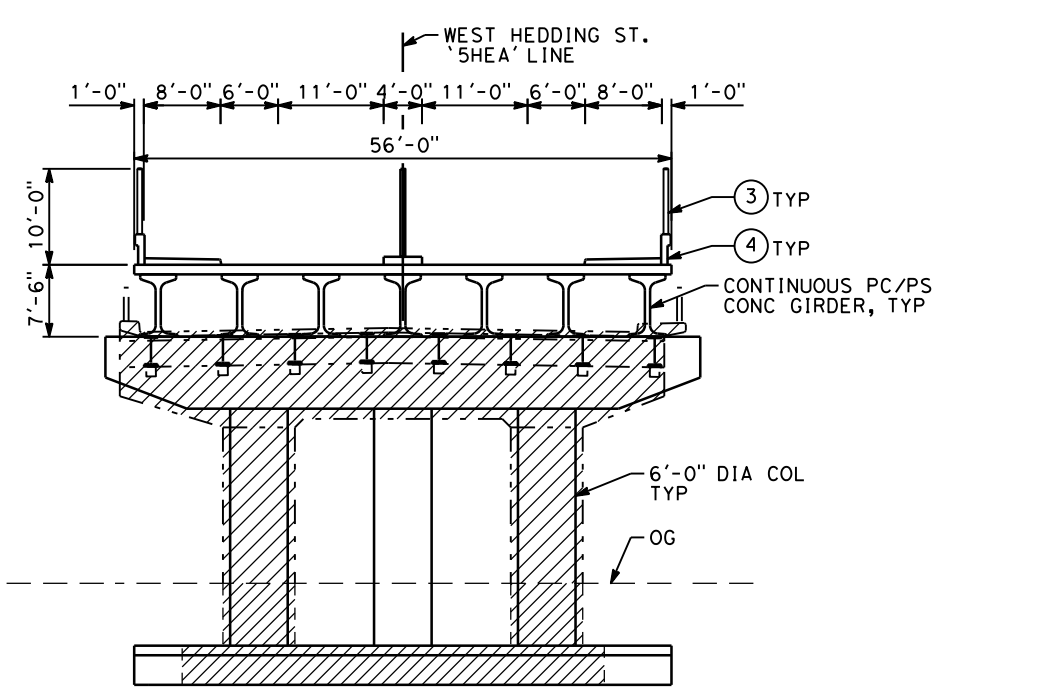
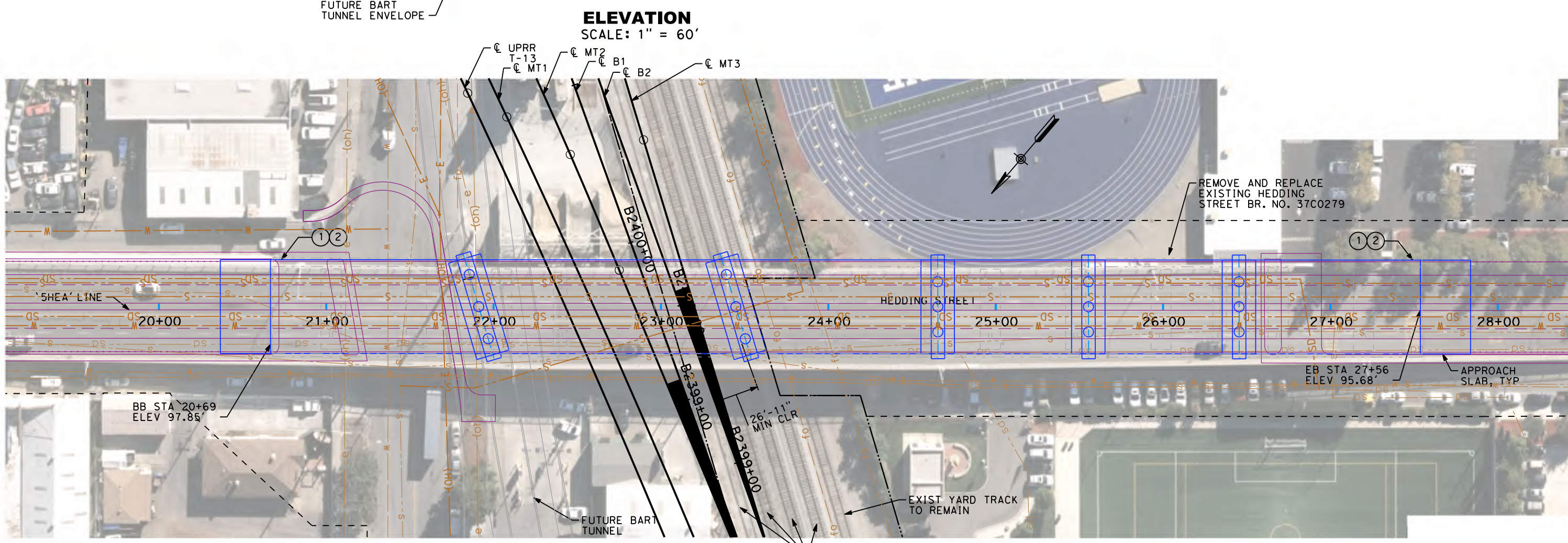
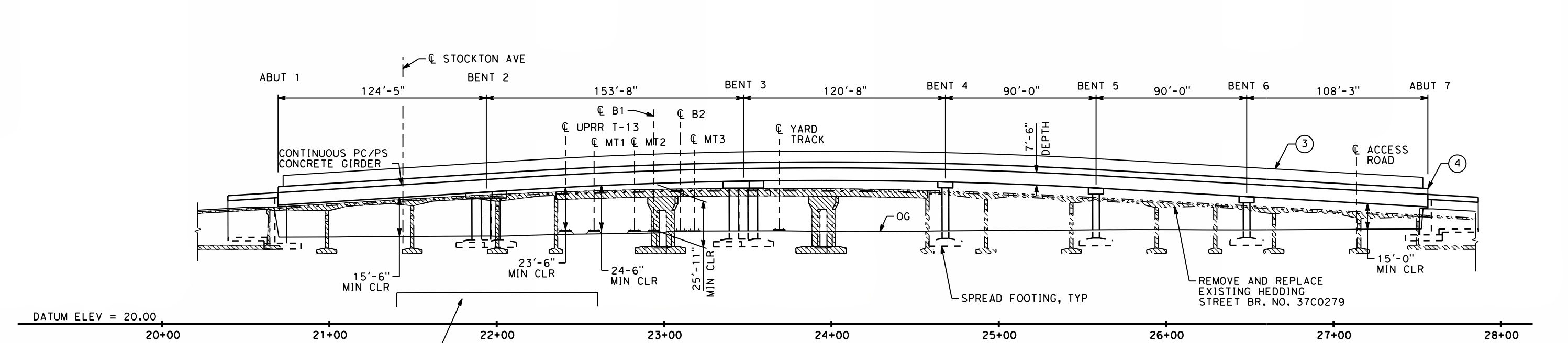


SECTION D
SCALE 1"=20'-0"

NOTE:
1. REFER TO GENERAL NOTES DRAWING NO. GE-B0101 FOR NOTES.

SAN JOSE TO CVY EIR/S: VOLUME III
ALTERNATIVE 3
BOOK 3C
SHEET 76 OF 216

RECORD PERM SUBMITTAL MAY 3, 2019 NOT FOR CONSTRUCTION	HNTB 1111 Broadway 9th Floor Oakland, CA 94607	CALIFORNIA High-Speed Rail Authority	CALIFORNIA HIGH-SPEED TRAIN PROJECT SAN JOSE TO MERCED SAN JOSE DIRIDON STATION APPROACH VIADUCT TO 1-880 COMPLEX STRUCTURES GENERAL PLAN 2 OF 2	CONTRACT NO. HSR15-34 DRAWING NO. ST-V0152 SCALE AS SHOWN SHEET NO.
---	--	--	---	---

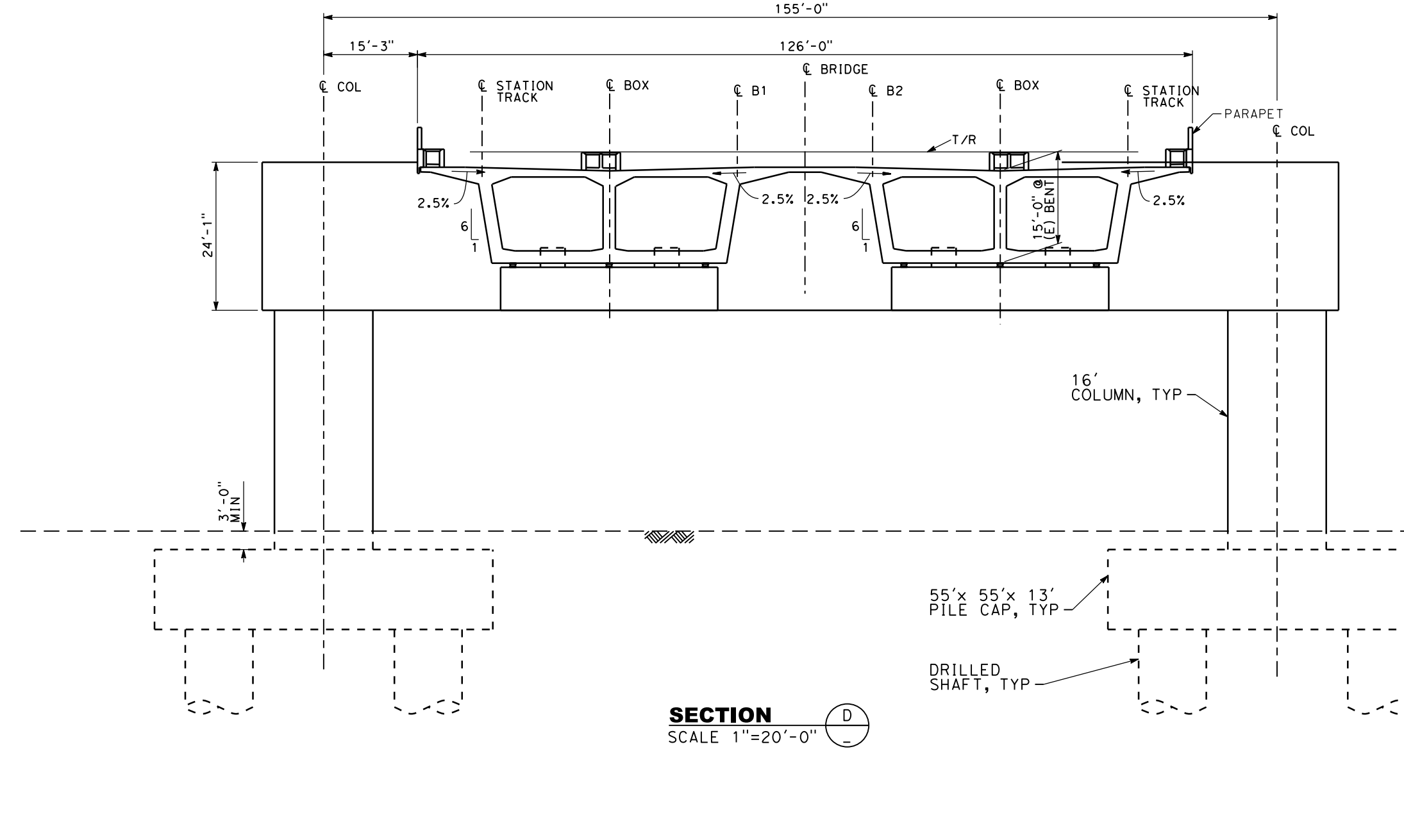
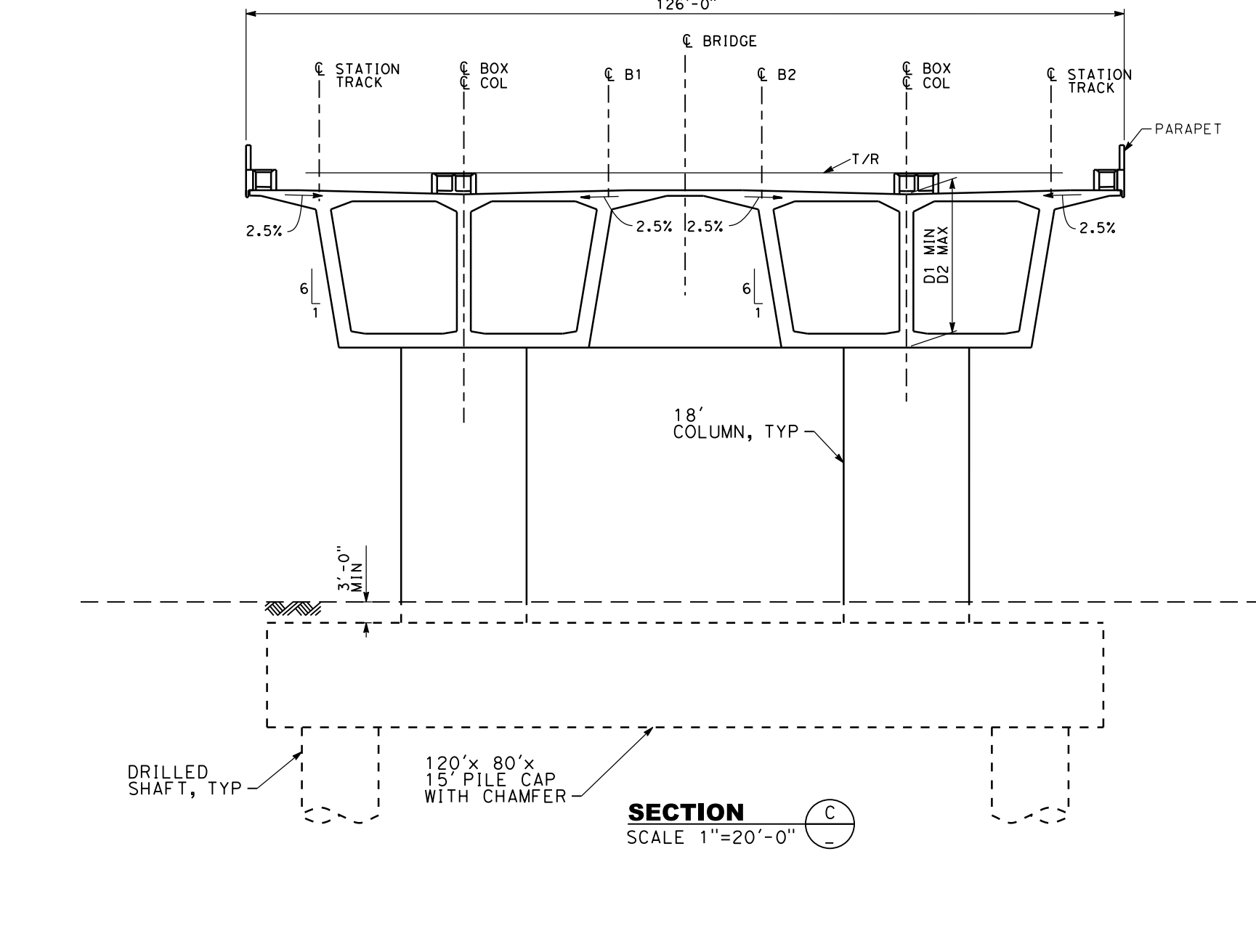
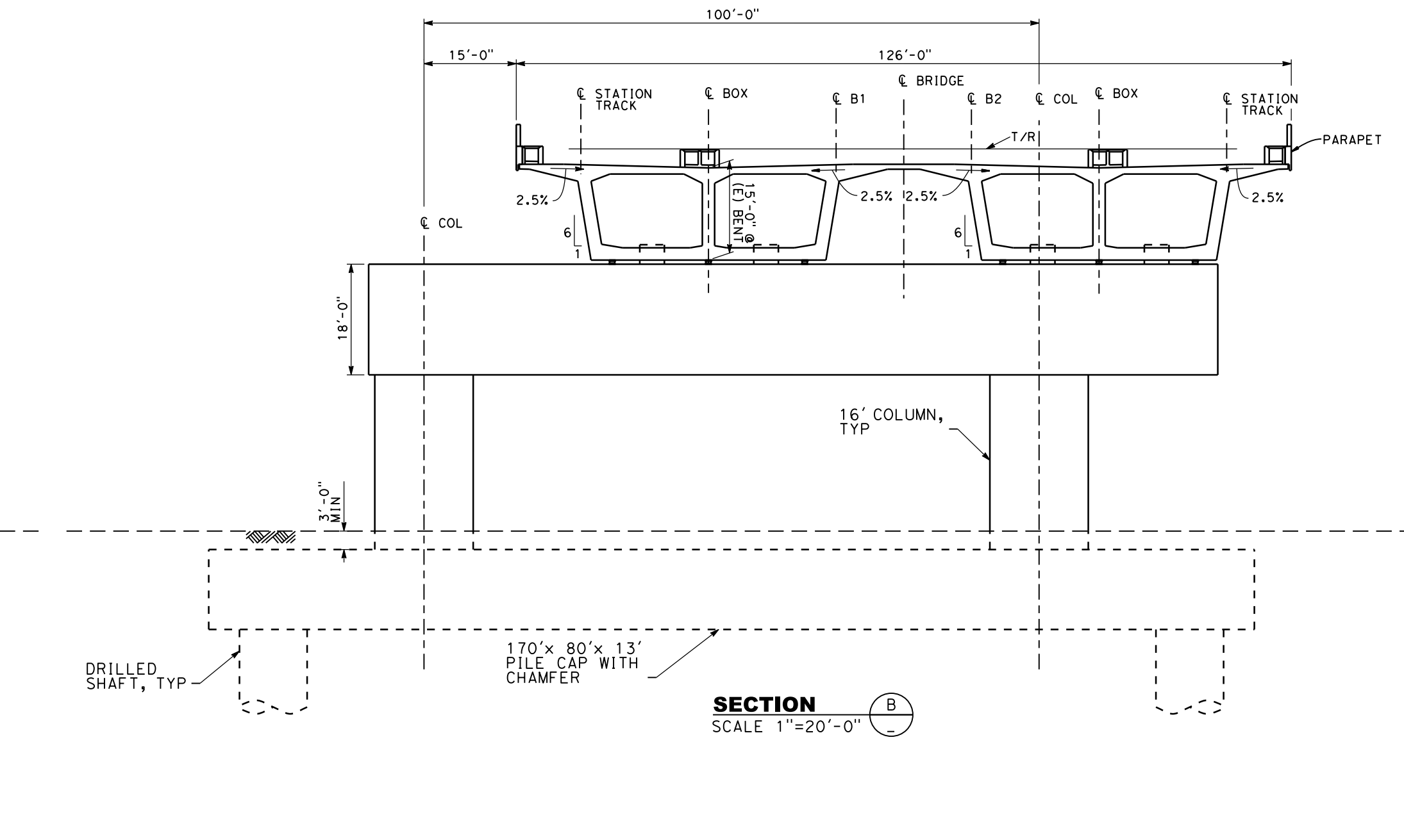
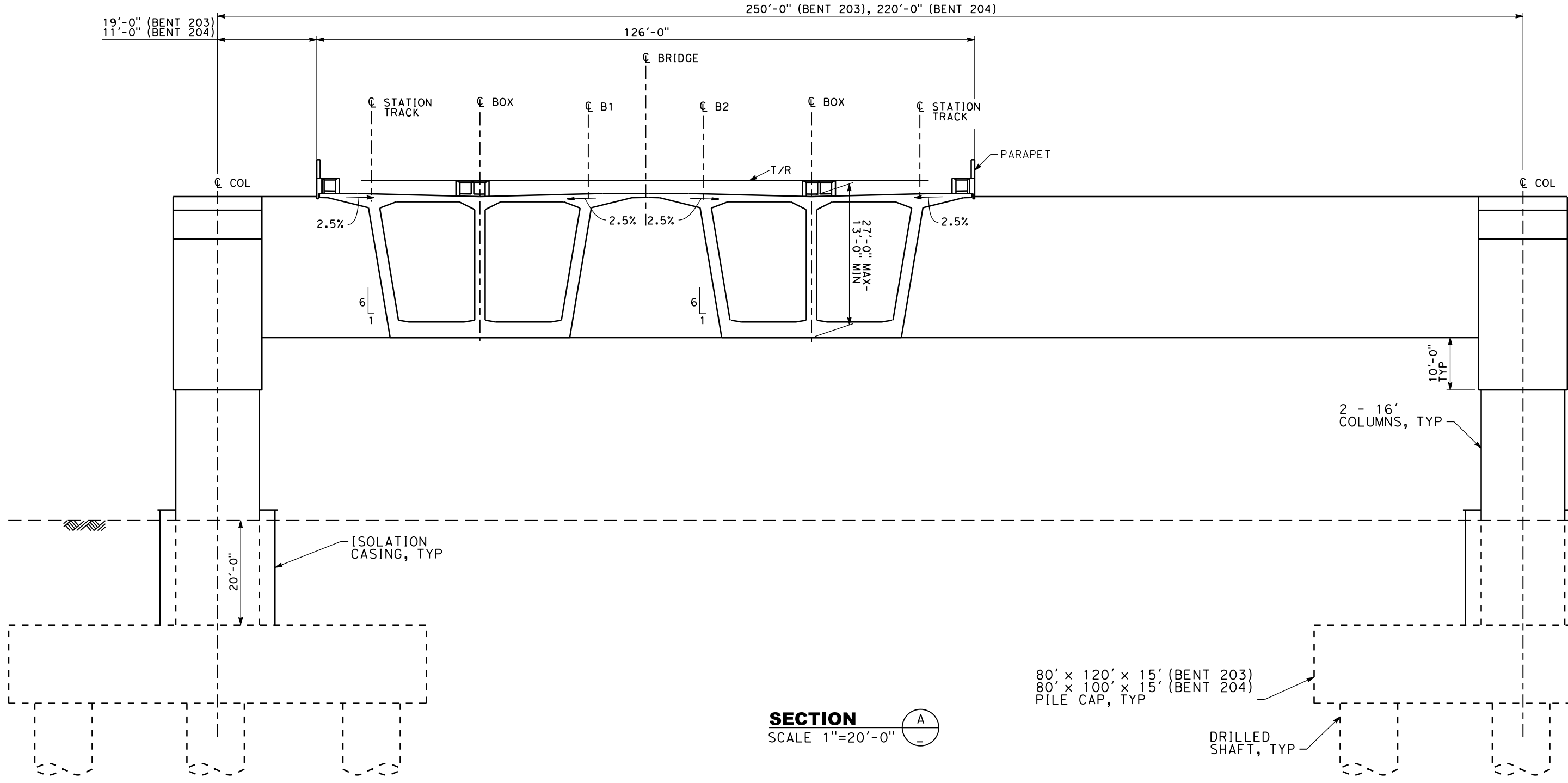


SAN JOSE TO CVY EIR/S: VOLUME III
ALTERNATIVE 3
BOOK 3C
SHEET 77 OF 216

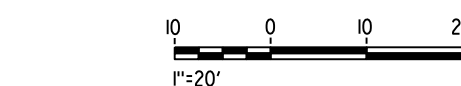
RECORD PERM SUBMITTAL MAY 3, 2019 NOT FOR CONSTRUCTION	HNTB 1111 Broadway 9th Floor Oakland, CA 94607	CALIFORNIA High-Speed Rail Authority	CALIFORNIA HIGH-SPEED TRAIN PROJECT SAN JOSE TO MERCED SAN JOSE DIRIDON STATION APPROACH VIADUCT TO I-880 OVERPASSES AND UNDERPASSES HEDDING ST AND TAYLOR ST	CONTRACT NO. HSR15-34 DRAWING NO. ST-T0151 SCALE AS SHOWN SHEET NO.
--	--	--	--	---

2/20/2019 3:48:14 PM C:\Users\lbr\OneDrive\Documents\4037_Corner\Sheet\1935_VL-88-31-V0301.dwg
 C:\Users\lbr\OneDrive\Documents\4037_Corner\Sheet\1935_VL-88-31-V0301.dwg
 2/20/2019 3:48:14 PM C:\Users\lbr\OneDrive\Documents\4037_Corner\Sheet\1935_VL-88-31-V0301.dwg
 C:\Users\lbr\OneDrive\Documents\4037_Corner\Sheet\1935_VL-88-31-V0301.dwg

BENT	D1	D2
206	15'-0"	24'-0"
207	15'-0"	24'-0"
209	15'-0"	17'-0"
211	14'-0"	28'-0"

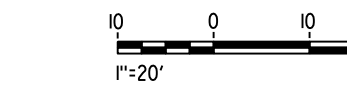
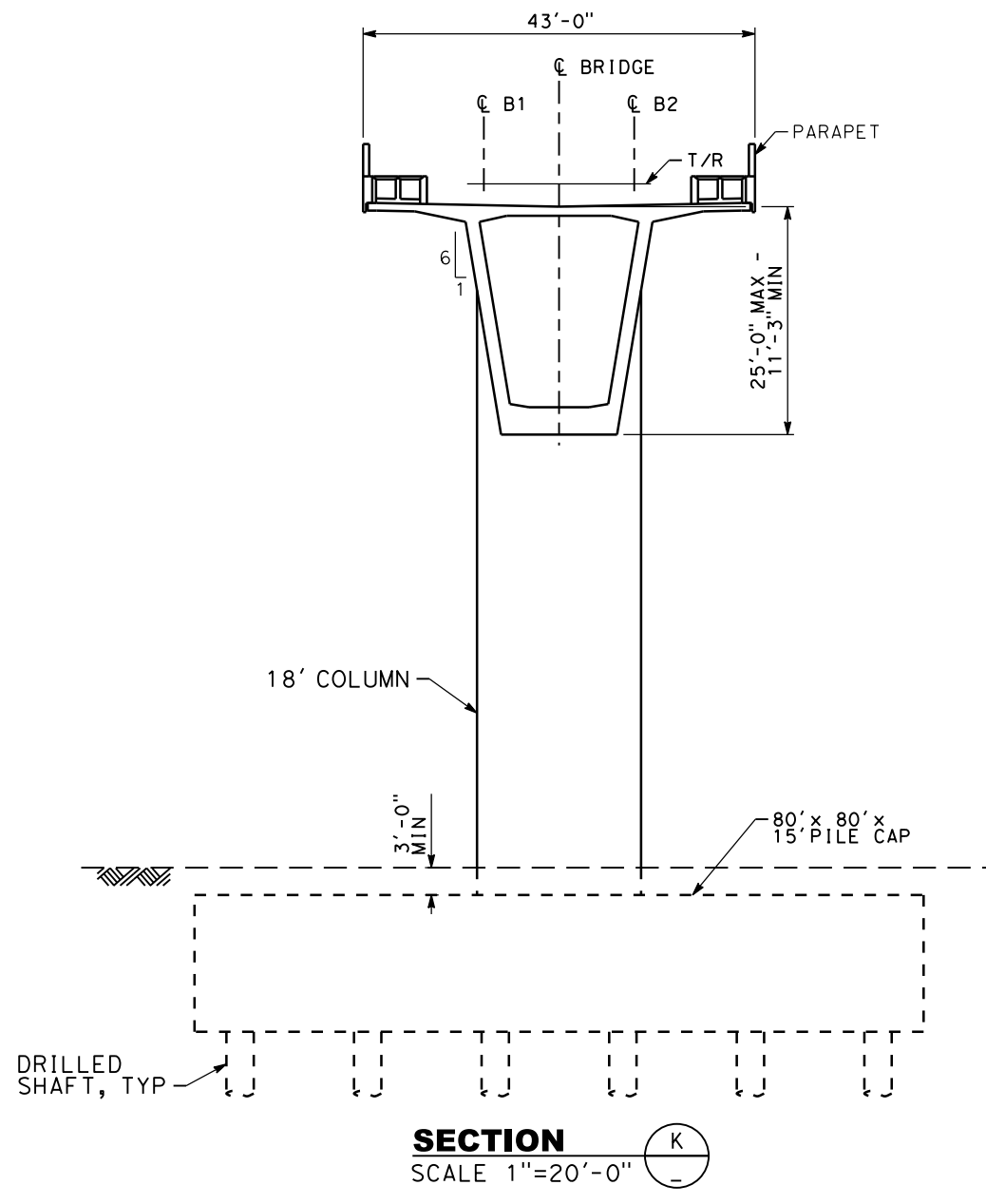
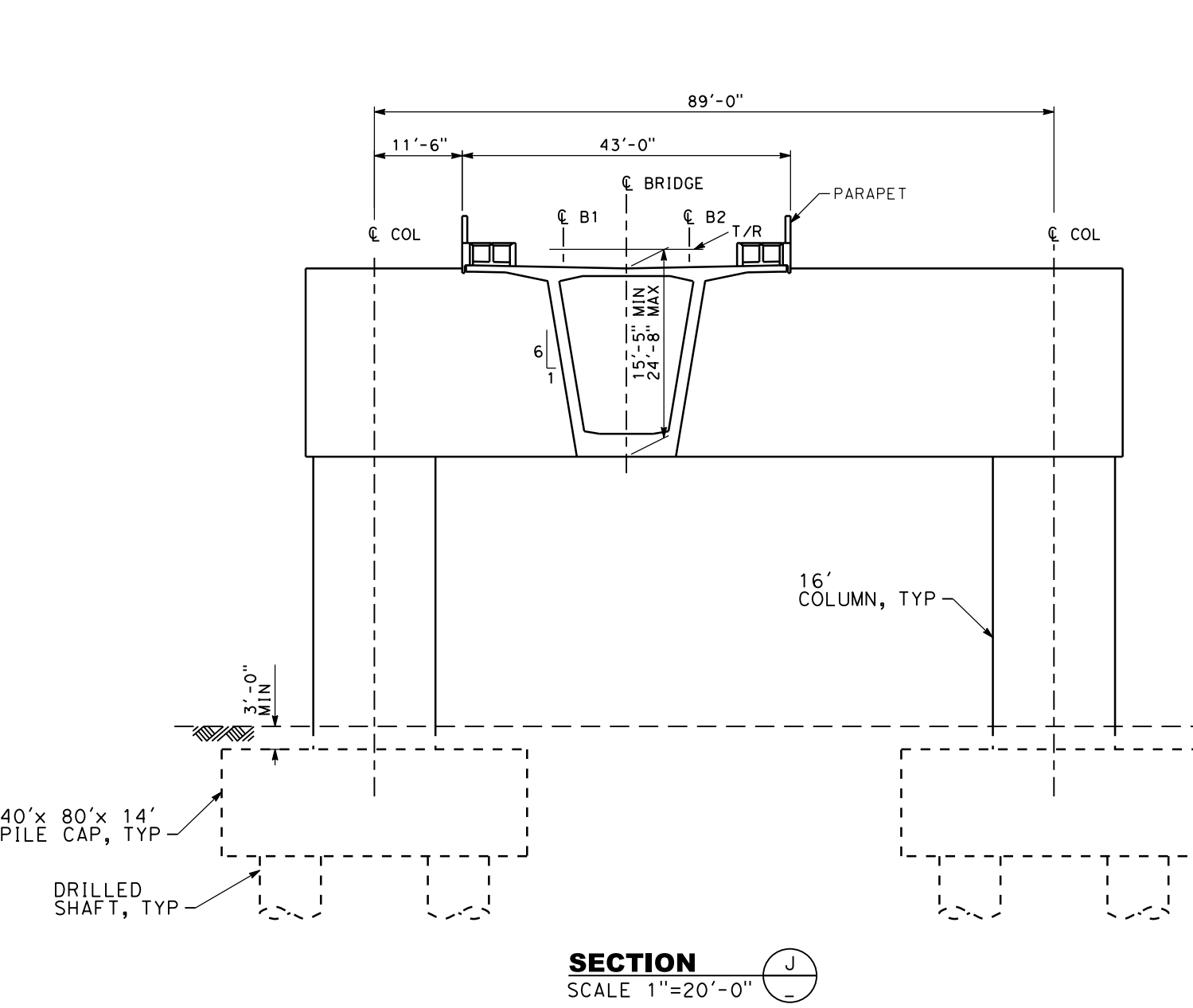
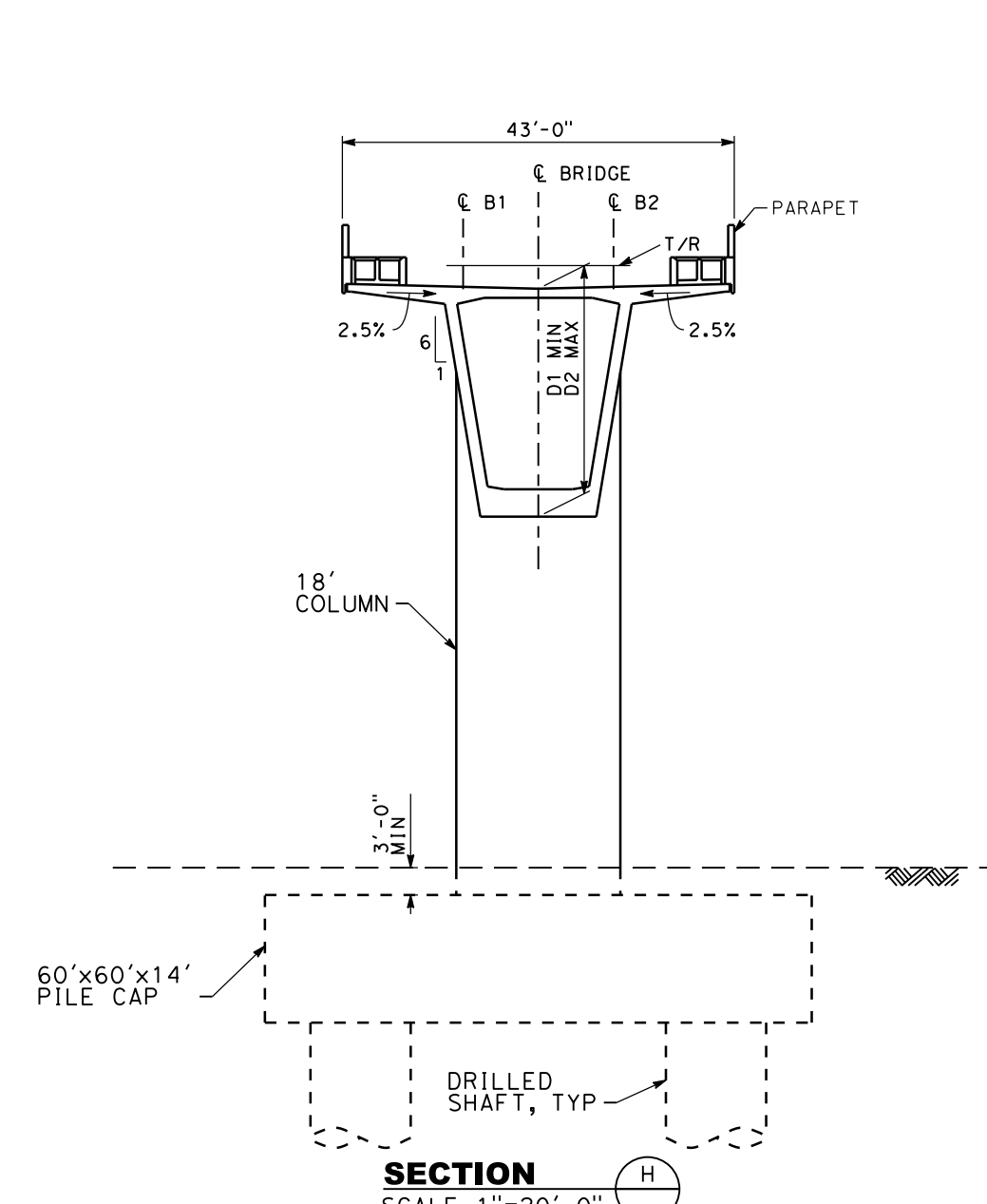
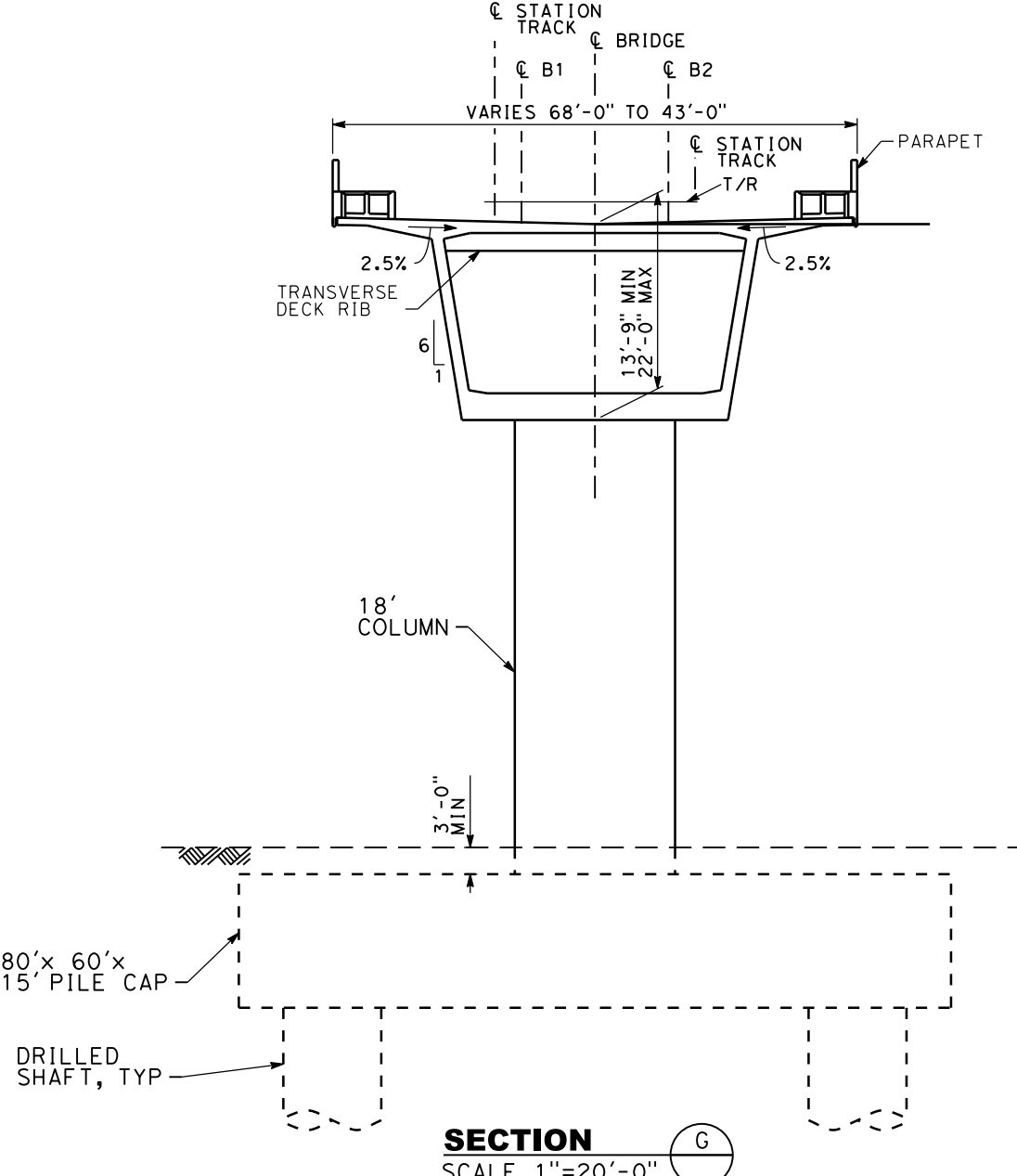
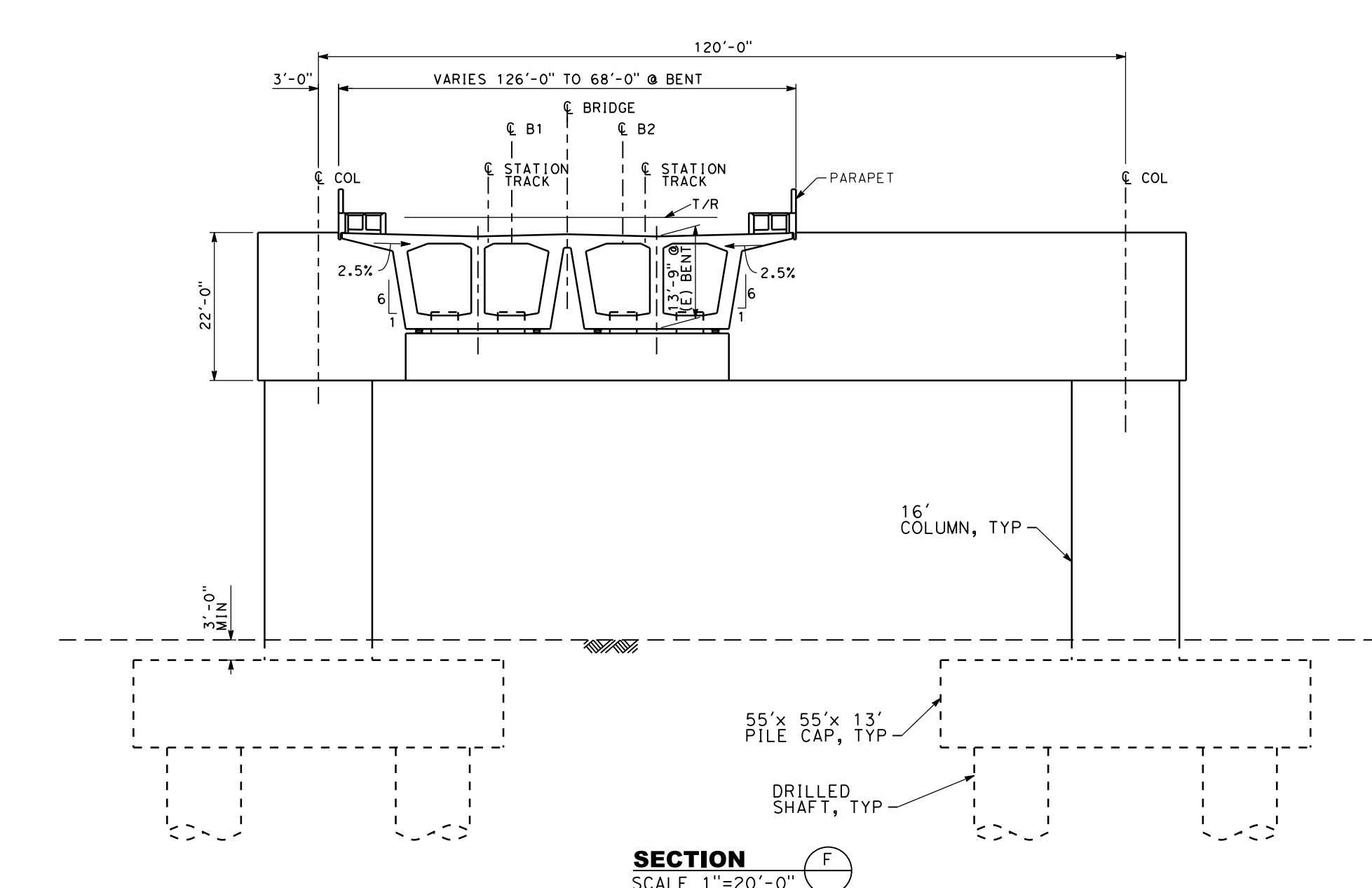
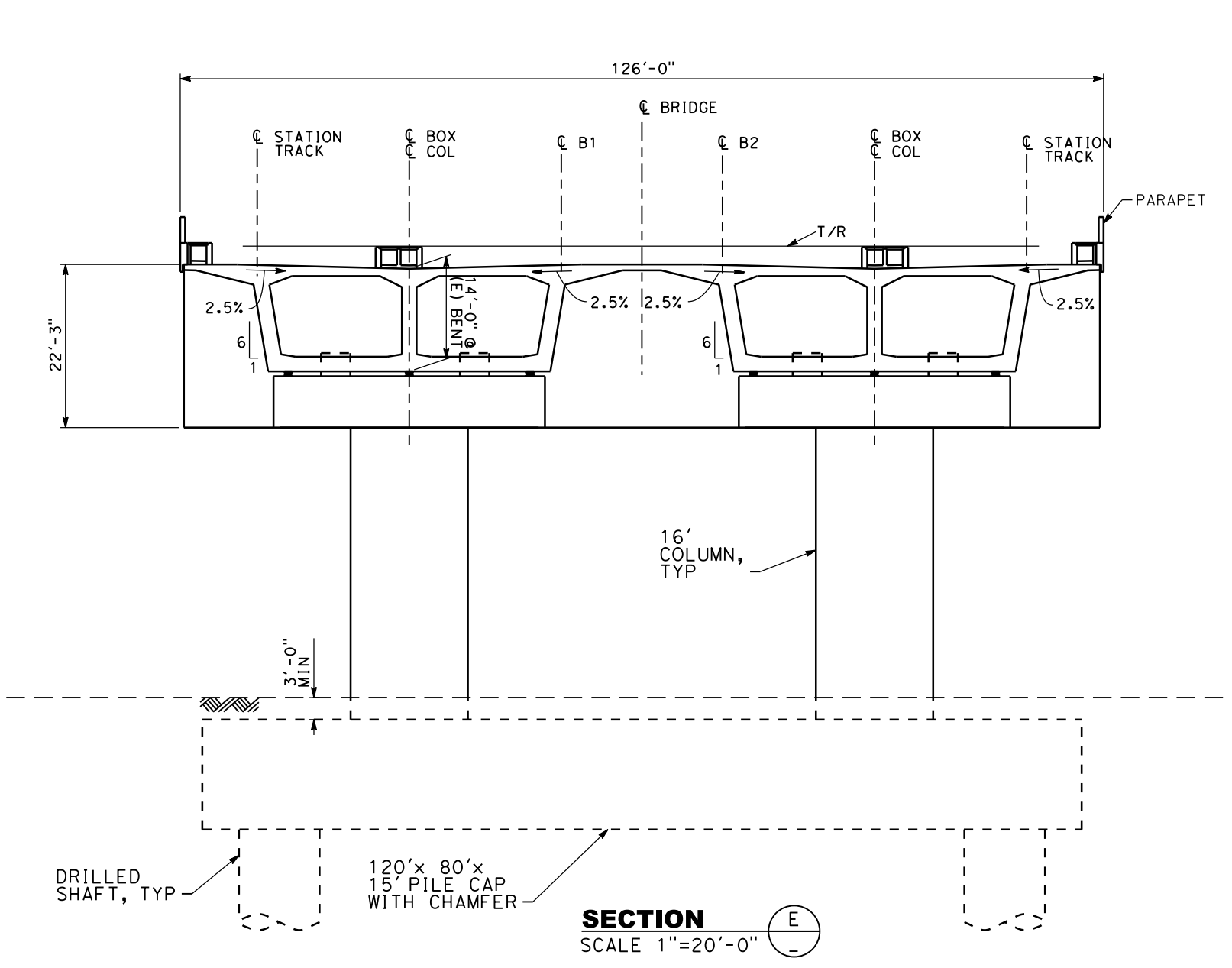


SAN JOSE TO CVY EIR/S: VOLUME III
ALTERNATIVE 3
BOOK 3C
SHEET 78 OF 216



RECORD PERM SUBMITTAL MAY 3, 2019 NOT FOR CONSTRUCTION	 1111 Broadway 9th Floor Oakland, CA 94607		CALIFORNIA HIGH-SPEED TRAIN PROJECT SAN JOSE TO MERCED SAN JOSE DIRIDON STATION APPROACH VIADUCT TO 1-880 TYPICAL SECTIONS SHEET 1 OF 3	CONTRACT NO. HSR15-34 DRAWING NO. ST-V0301 SCALE AS SHOWN SHEET NO.
---	---	--	--	---

TABLE OF VIADUCT DIMENSIONS		
BENT	D1	D2
225	15'-6"	30'-0"
227	15'-0"	22'-8"
228	14'-2"	22'-8"
229	14'-2"	23'-0"

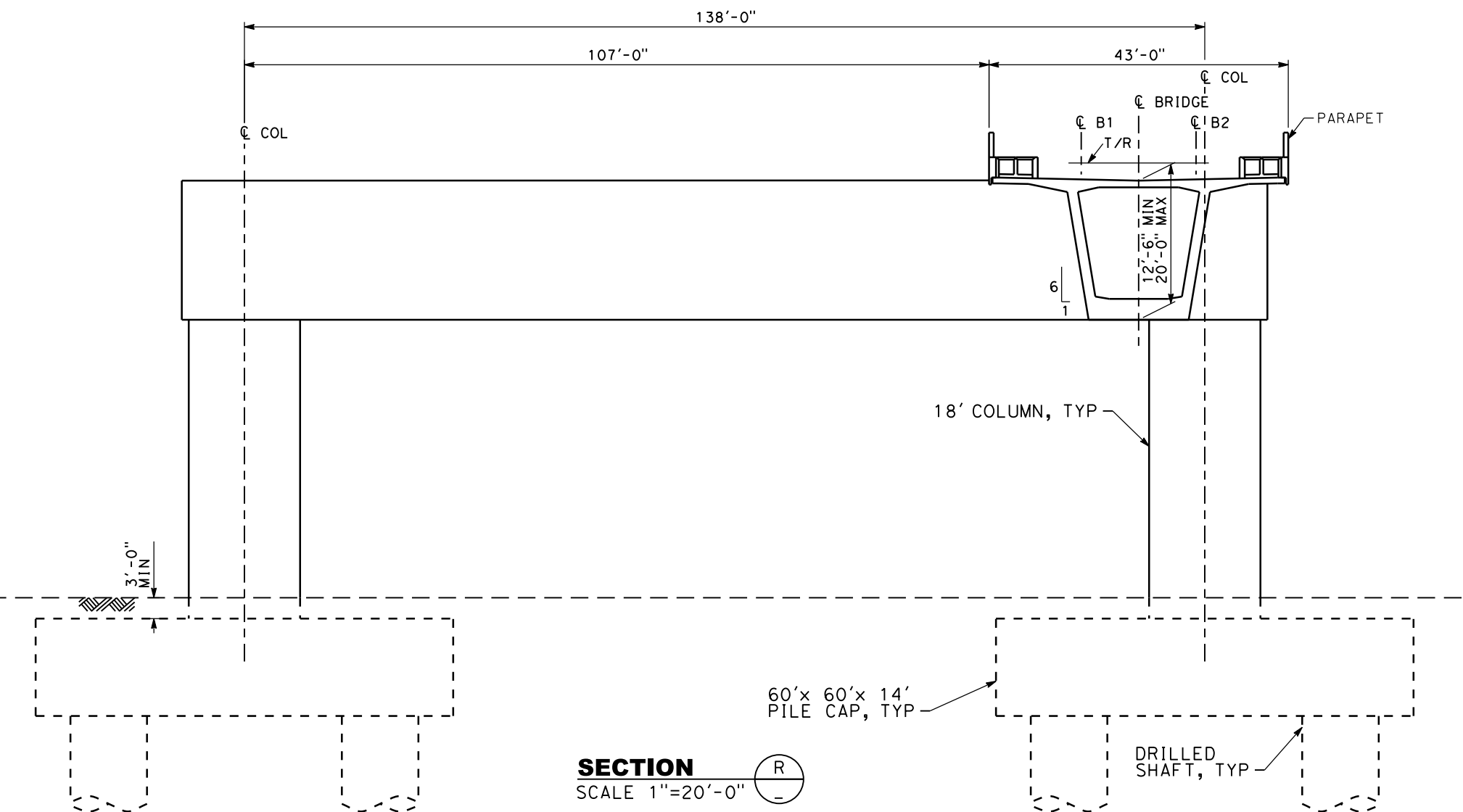
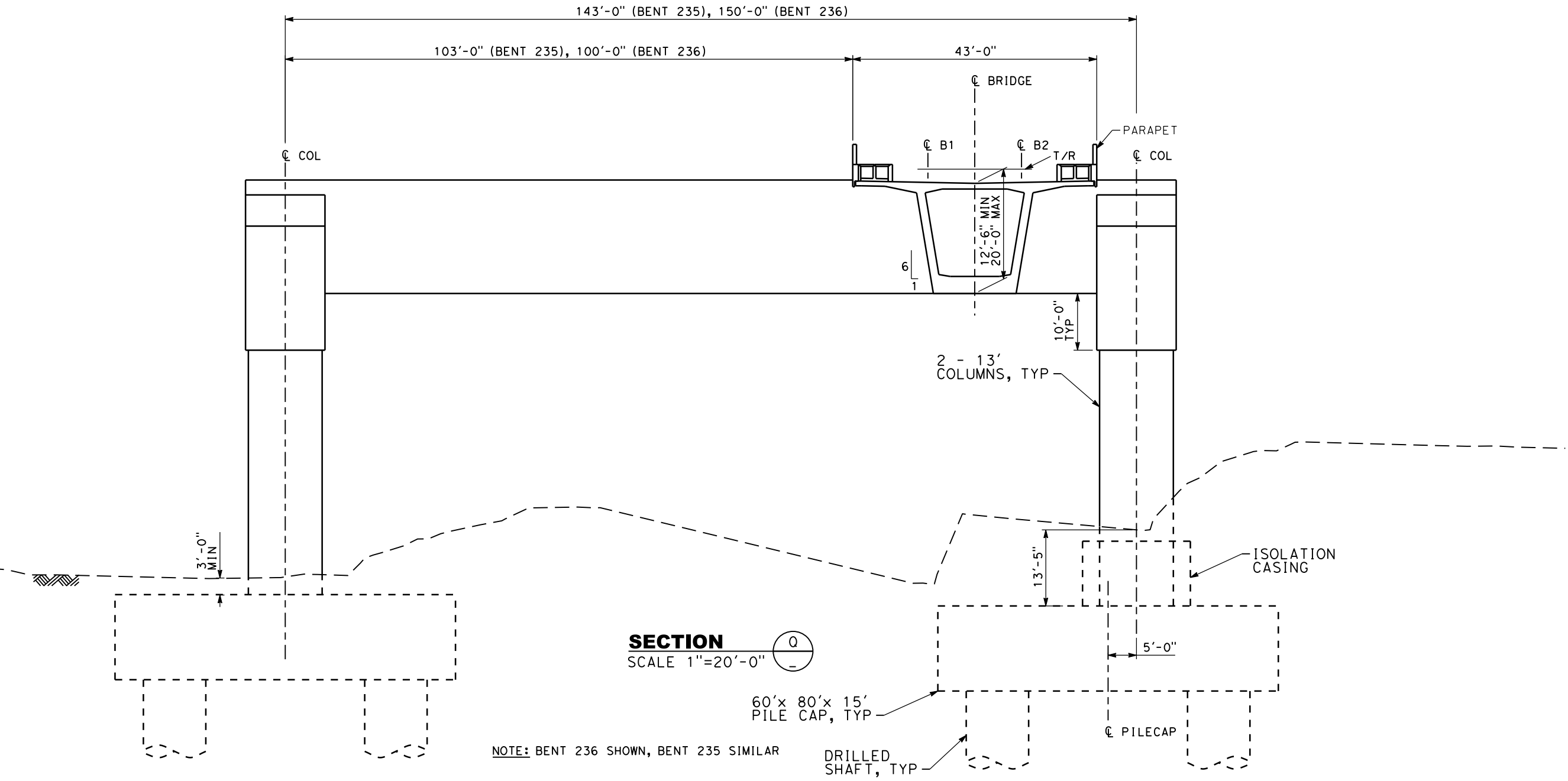
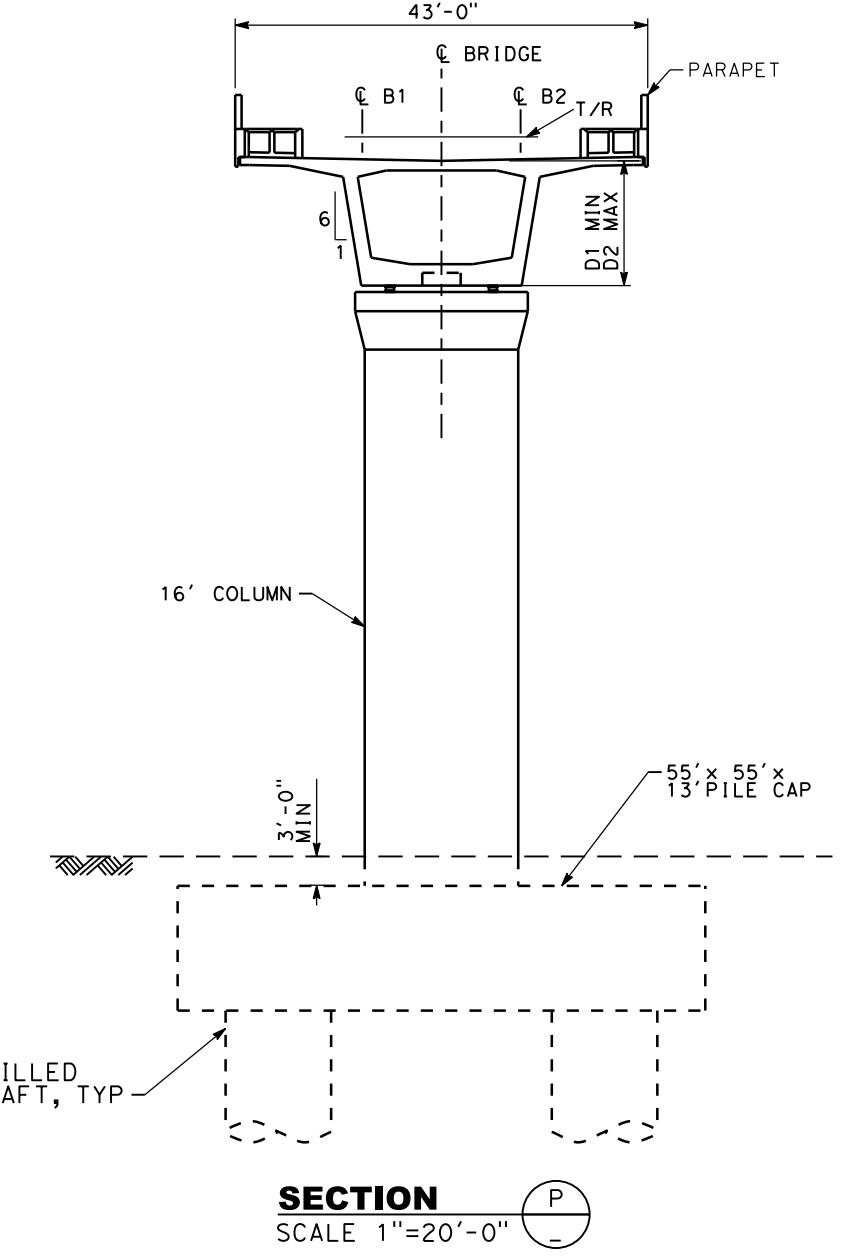
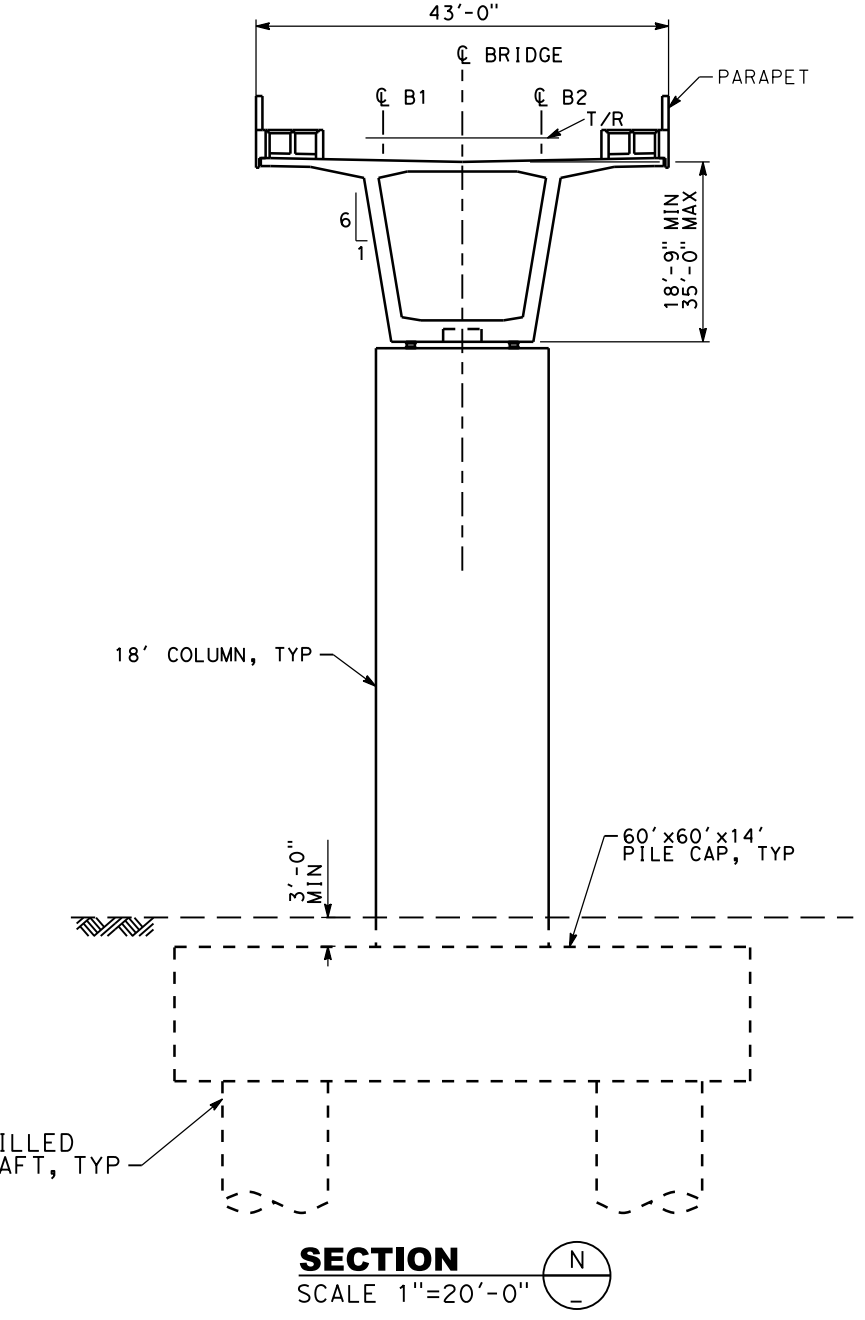
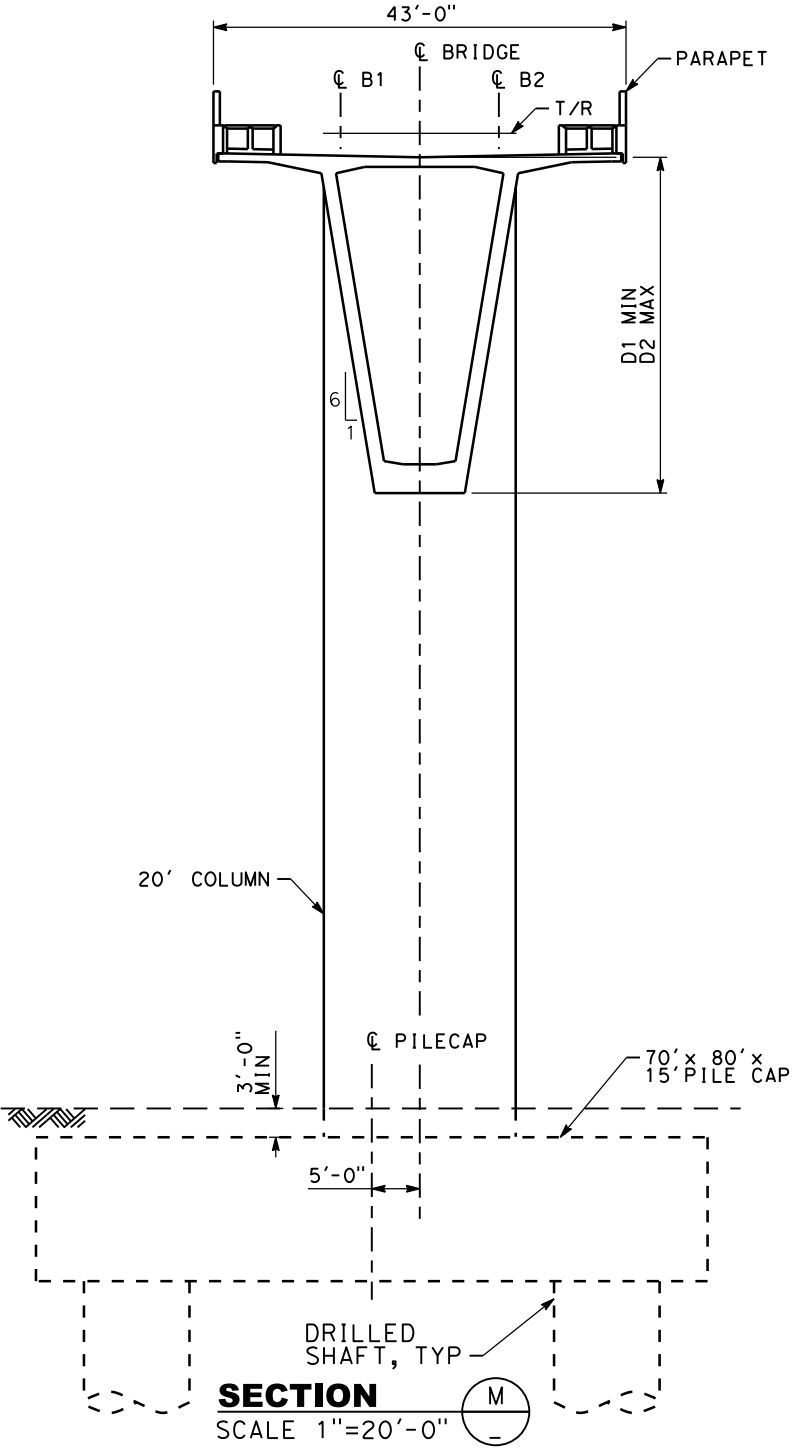
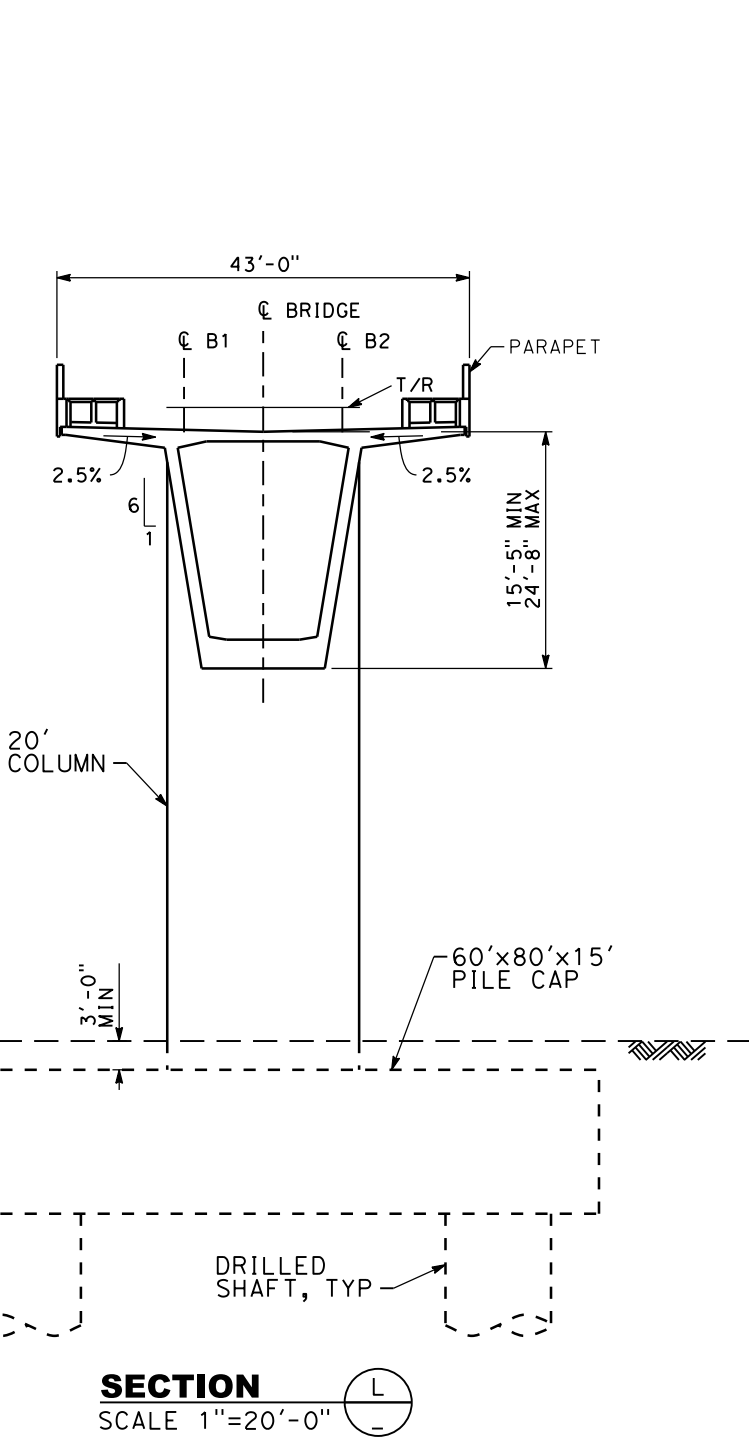


<p>RECORD PERM SUBMITTAL MAY 3, 2019 NOT FOR CONSTRUCTION</p>	<p>HNTB 1111 Broadway 9th Floor Oakland, CA 94607</p>	<p>CALIFORNIA High-Speed Rail Authority</p>	<p>CALIFORNIA HIGH-SPEED TRAIN PROJECT SAN JOSE TO MERCED SAN JOSE DIRIDON STATION APPROACH VIADUCT TO 1-880 TYPICAL SECTIONS SHEET 2 OF 3</p>	<p>CONTRACT NO. HSR15-34 DRAWING NO. ST-V0302 SCALE AS SHOWN SHEET NO.</p>
---	---	---	---	--

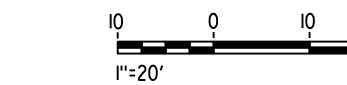
4/20/2019 3:48:15 PM c:\p03\15\1503\1503.dwg 2/20/2019 3:48:15 PM c:\p03\15\1503\1503.dwg 2/20/2019 3:48:15 PM c:\p03\15\1503\1503.dwg

TABLE OF VIADUCT DIMENSIONS		
BENT	D1	D2
219	18'-9"	30'-0"
220	18'-9"	35'-0"

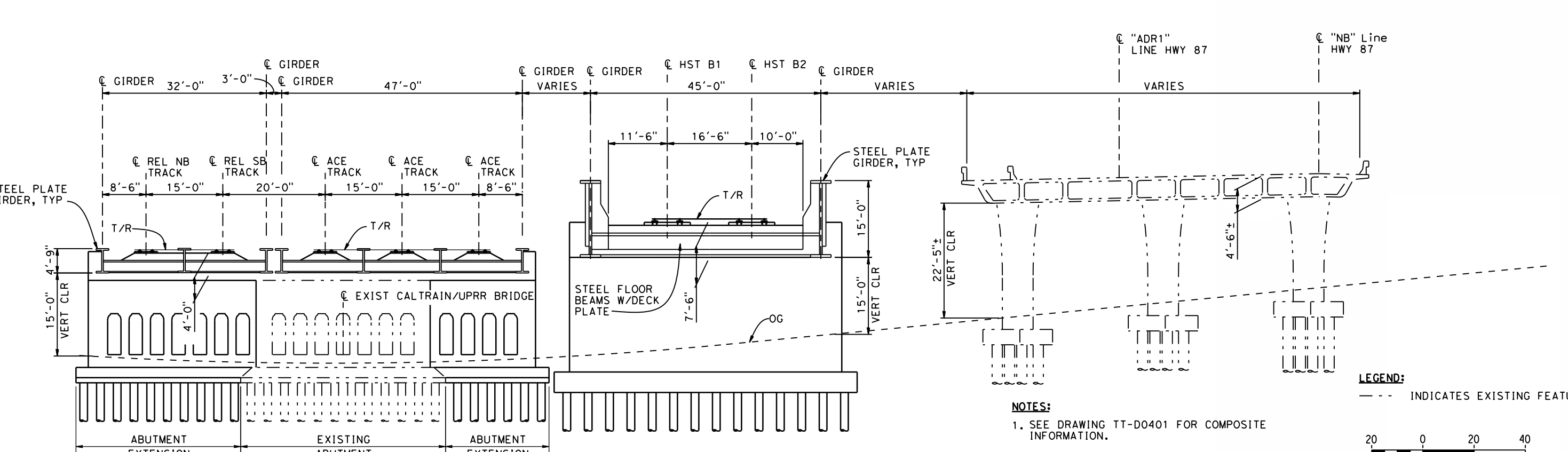
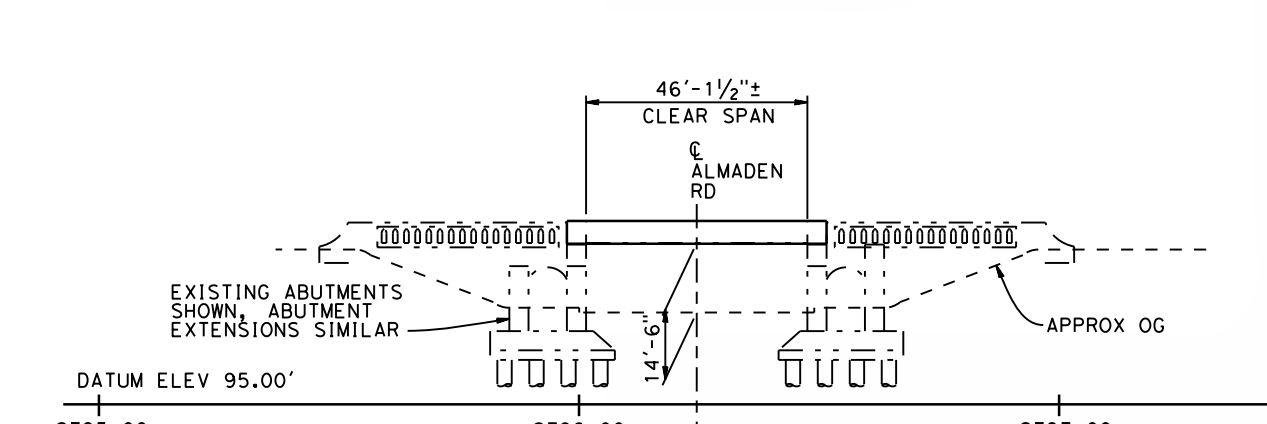
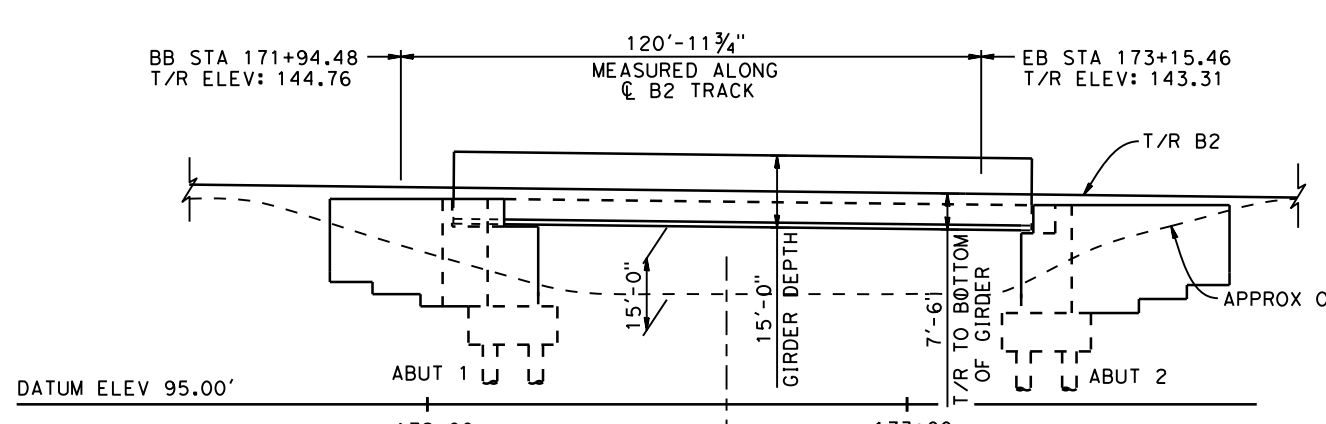
TABLE OF VIADUCT DIMENSIONS		
BENT	D1	D2
217	15'-6"	25'-0"
218	15'-6"	18'-9"
222	15'-6"	18'-9"
226	15'-0"	30'-0"
230	13'-0"	23'-0"



**SAN JOSE TO CVY EIR/S: VOLUME III
ALTERNATIVE 3
BOOK 3C
SHEET 80 OF 216**

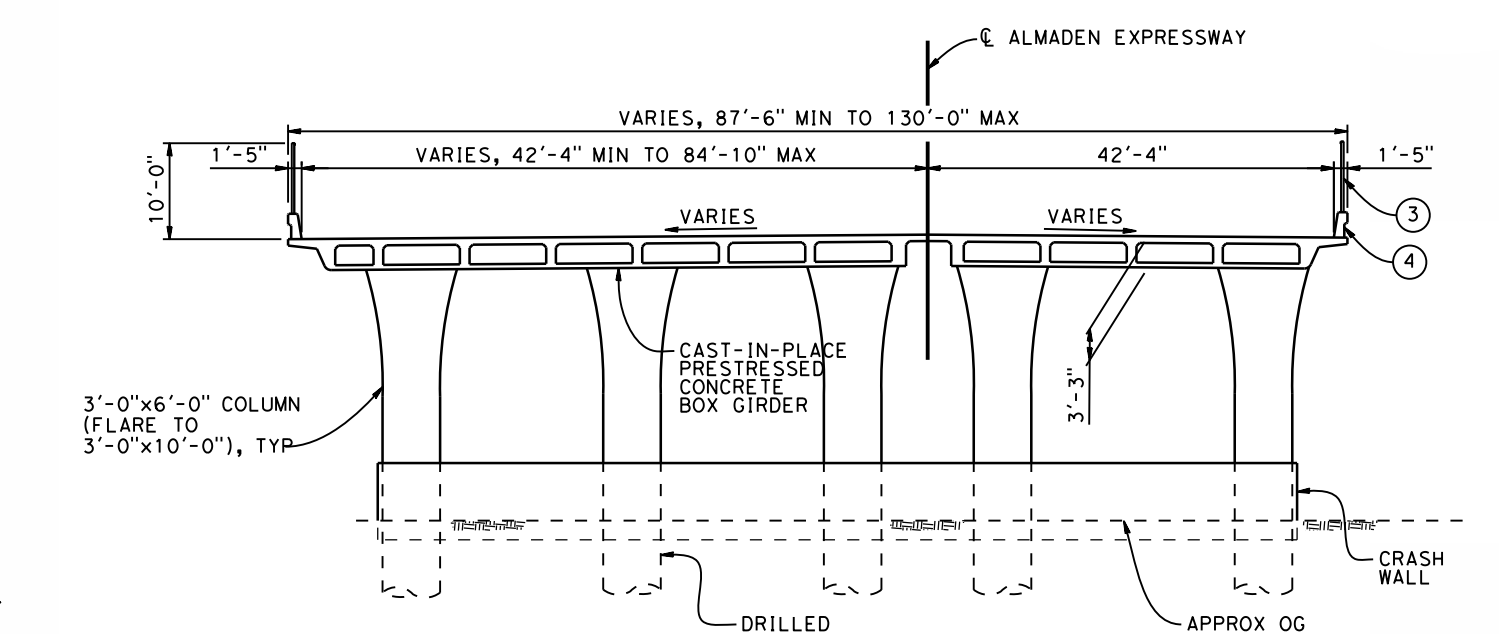
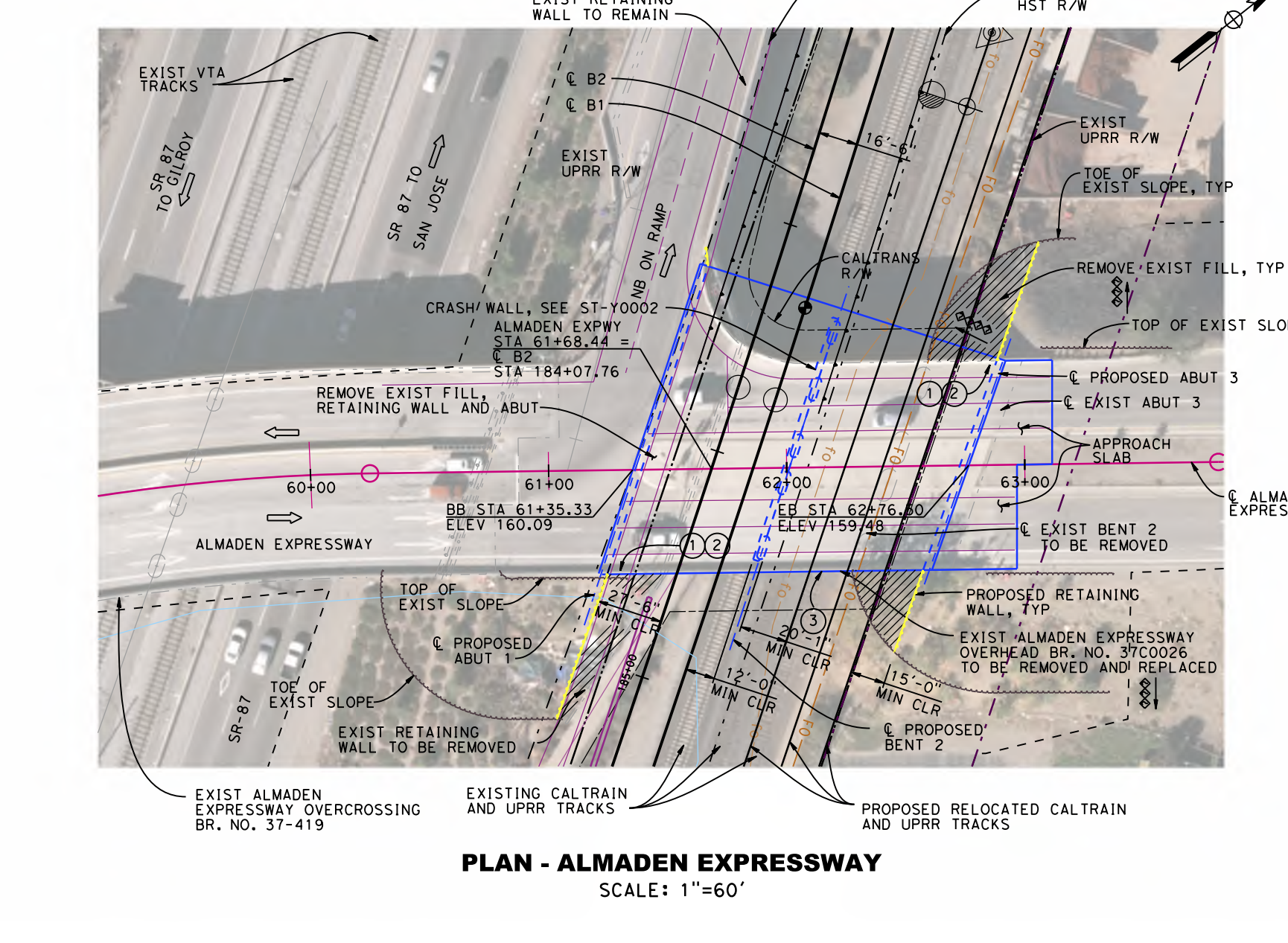
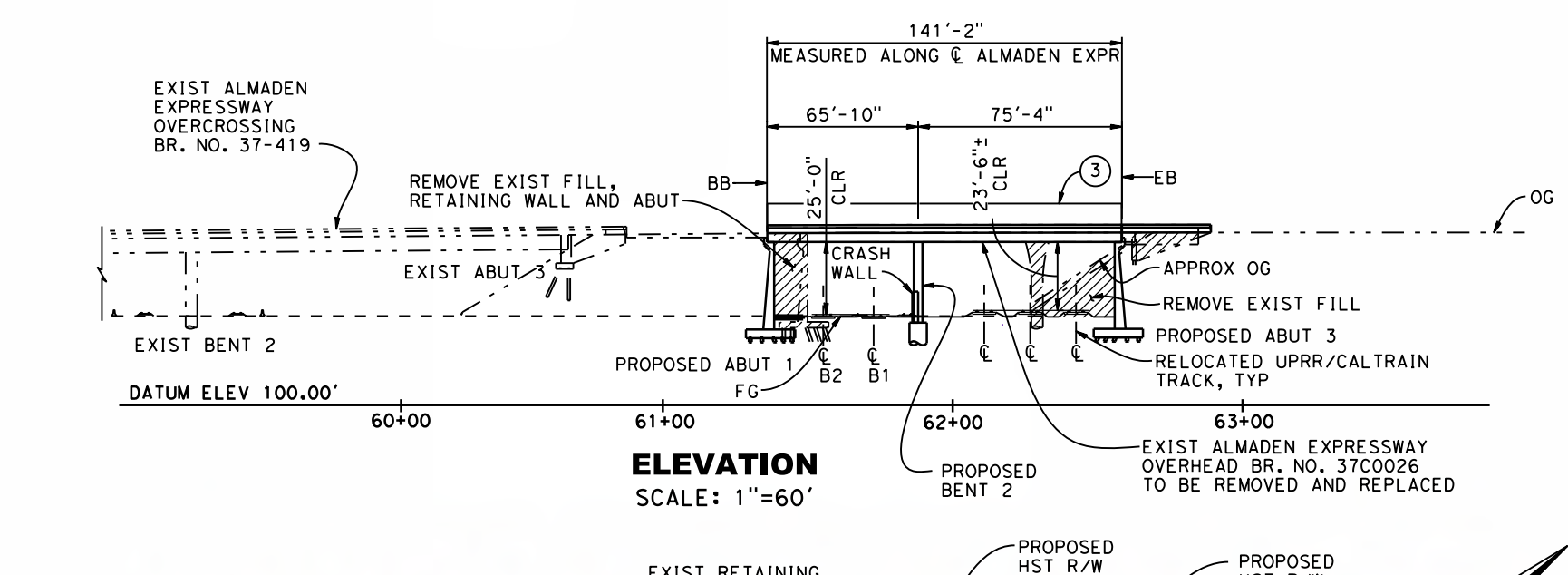


RECORD PERM SUBMITTAL MAY 3, 2019 NOT FOR CONSTRUCTION	HNTB 1111 Broadway 9th Floor Oakland, CA 94607		CALIFORNIA HIGH-SPEED TRAIN PROJECT SAN JOSE TO MERCED SAN JOSE DIRIDON STATION APPROACH VIADUCT TO 1-880 TYPICAL SECTIONS SHEET 3 OF 3	CONTRACT NO. HSR15-34 DRAWING NO. ST-V0303 SCALE AS SHOWN SHEET NO.
---	--	--	--	--



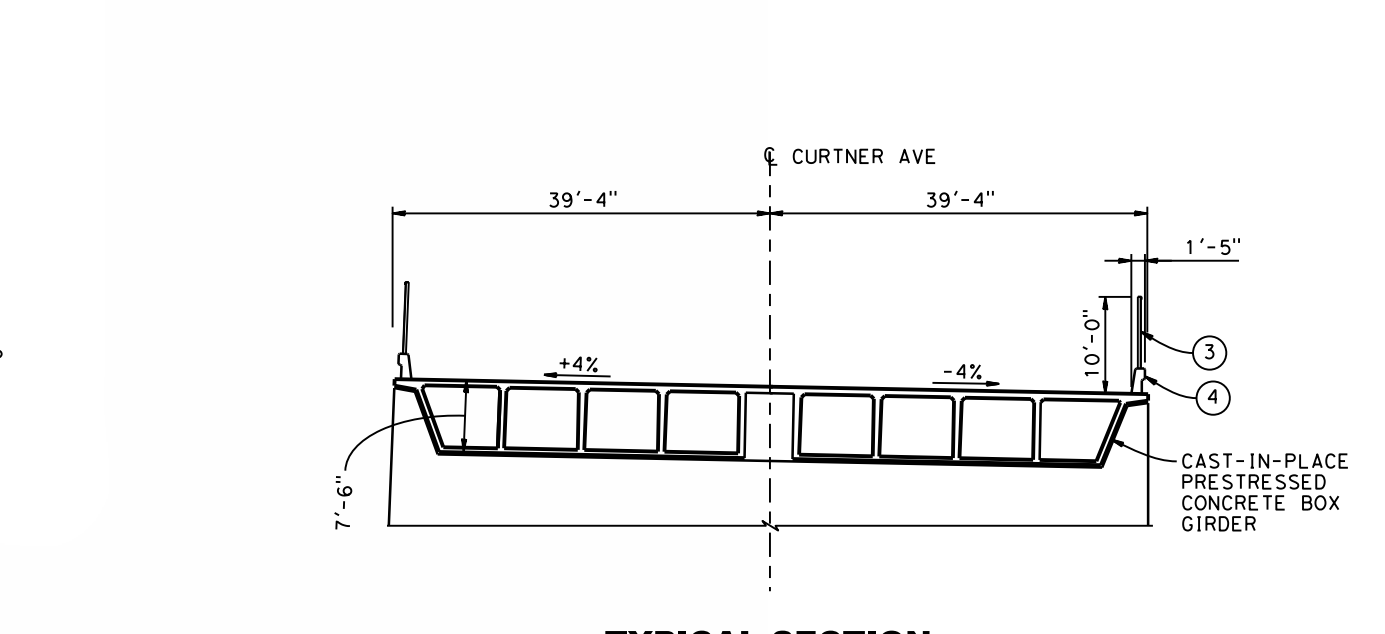
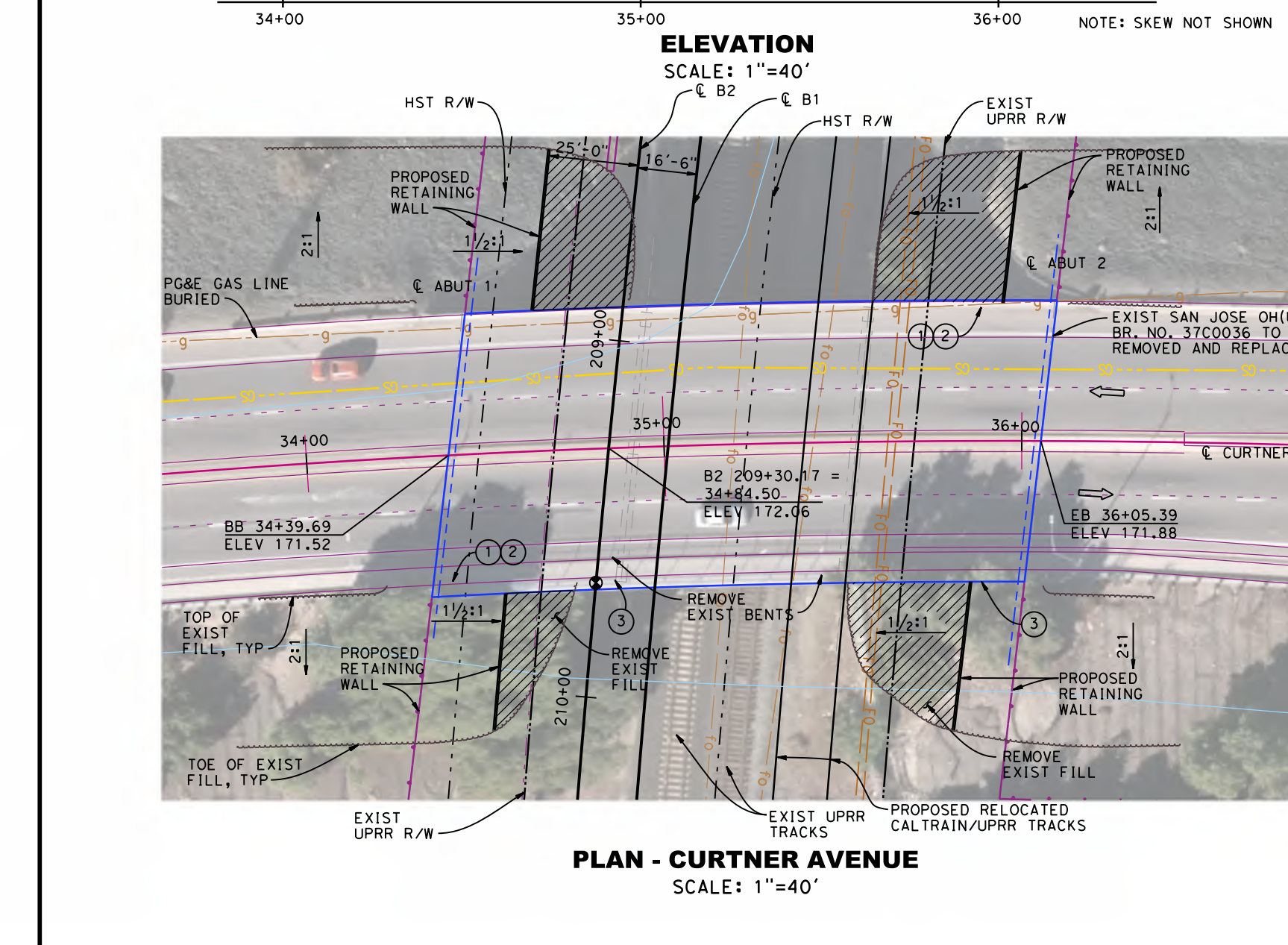
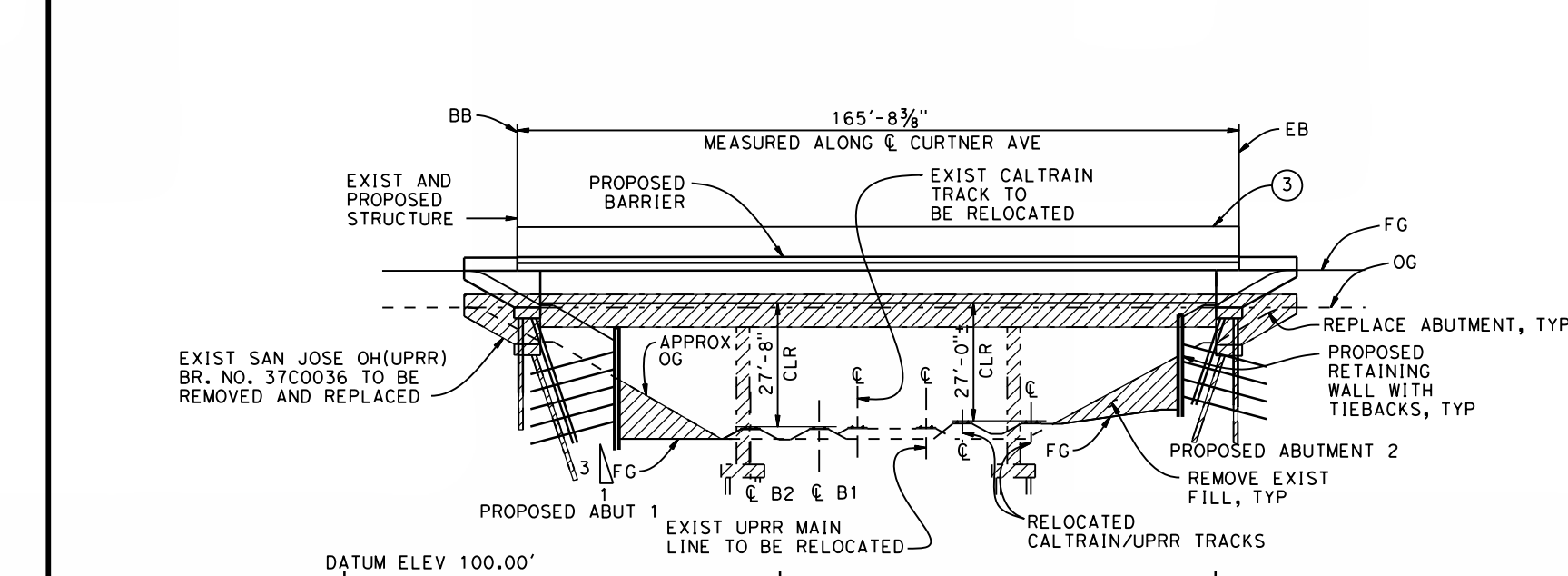
LEGEND:
--- INDICATES EXISTING FEATURES

NOTES:
1. SEE DRAWING TT-D0401 FOR COMPOSITE INFORMATION.
2. SEE DRAWING CV-T0402 FOR CIVIL AND ROADWAY INFORMATION.
3. FOR STAGING PLANS SEE CIVIL AND GRADE SEPARATION PLANS.



LEGEND:
● INDICATES POINT OF MINIMUM VERTICAL CLEARANCE
→ INDICATES DIRECTION OF TRAFFIC
--- INDICATES EXISTING FEATURES
▨ INDICATES LIMITS OF REMOVAL
① PAINT "ALMADEN EXPRESSWAY OVERHEAD"
② PAINT "BRIDGE NO. XX-XXXX"
③ CHAIN LINK RAILING TYPE 7, TYP (MOD)
④ CONCRETE BARRIER TYPE 732, TYP

NOTES:
1. SEE DRAWING TT-D0401 FOR COMPOSITE INFORMATION.
2. FOR STAGING PLANS SEE CIVIL AND GRADE SEPARATION PLANS.

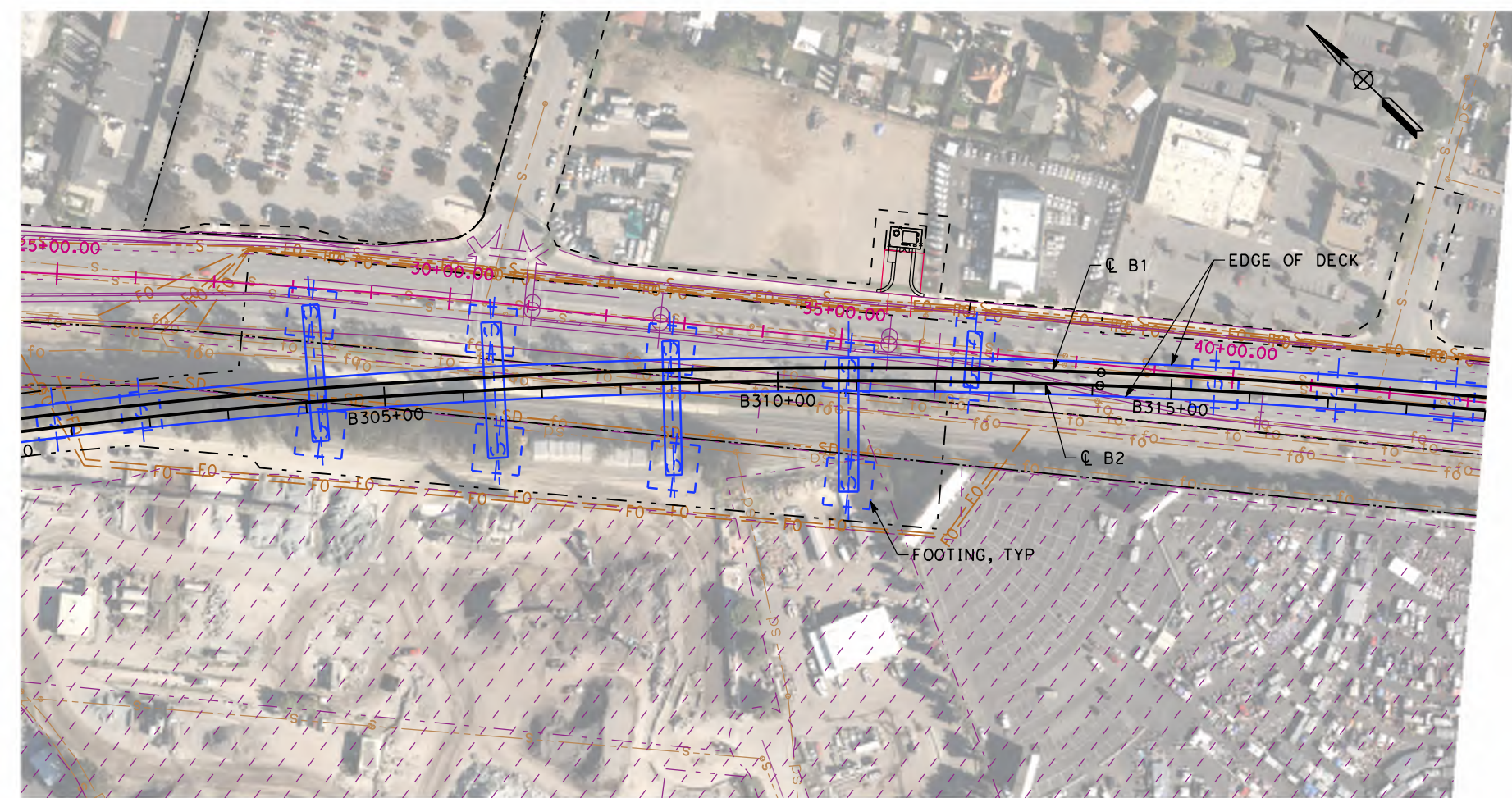


LEGEND:
● INDICATES POINT OF MINIMUM VERTICAL CLEARANCE
→ INDICATES DIRECTION OF TRAFFIC
--- INDICATES EXISTING FEATURES
▨ INDICATES LIMITS OF REMOVAL
① PAINT "CURTNER AVENUE OVERHEAD"
② PAINT "BRIDGE NO. XX-XXXX"
③ CHAIN LINK RAILING TYPE 7, TYP (MOD)
④ CONCRETE BARRIER TYPE 732, TYP

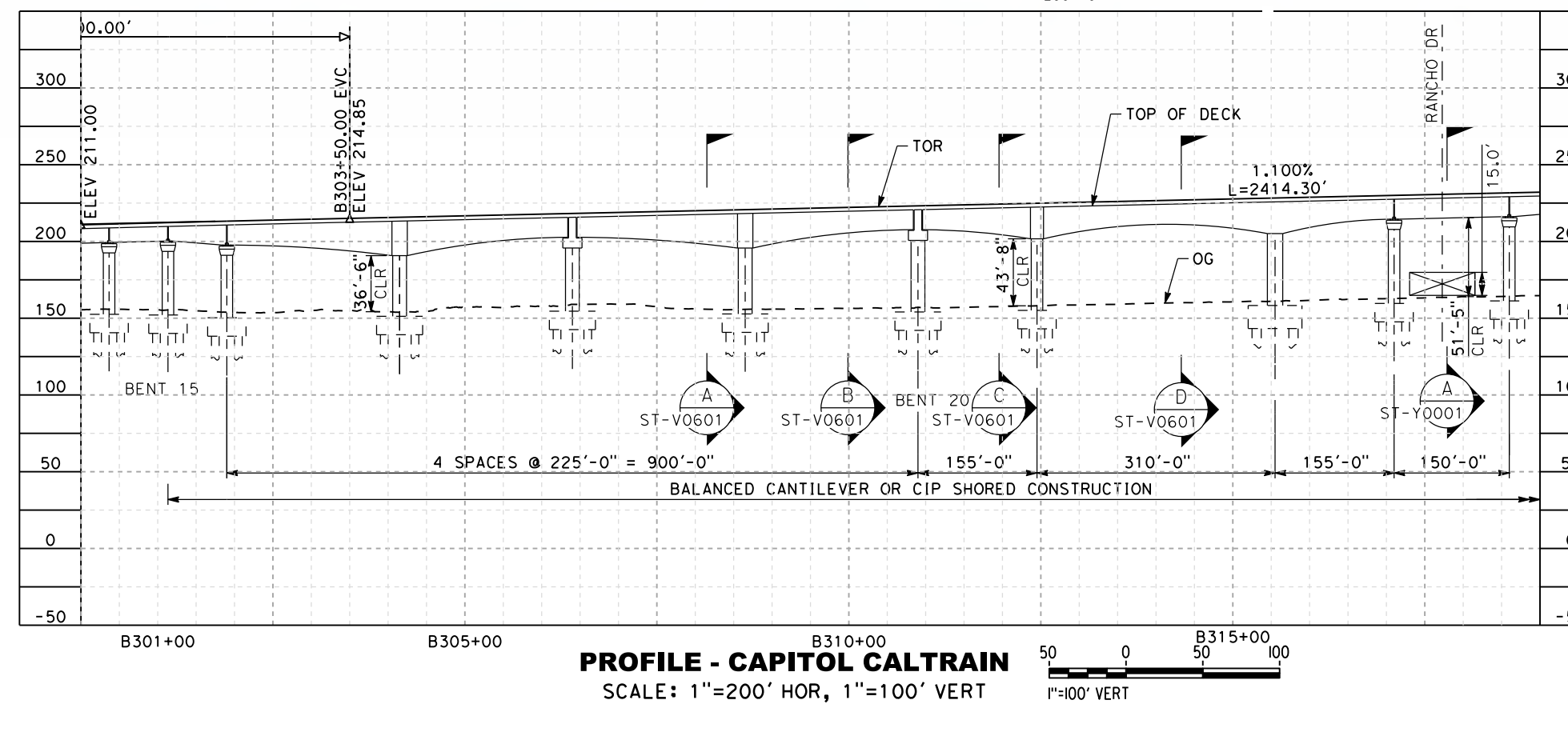
NOTES:
1. SEE DRAWING TT-D0401 FOR COMPOSITE INFORMATION.
2. SEE DRAWING CV-T0402 FOR CIVIL AND ROADWAY INFORMATION.
3. FOR STAGING PLANS SEE CIVIL AND GRADE SEPARATION PLANS.

SAN JOSE TO CVY EIR/S: VOLUME III
ALTERNATIVE 3
BOOK 3C
SHEET 82 OF 216

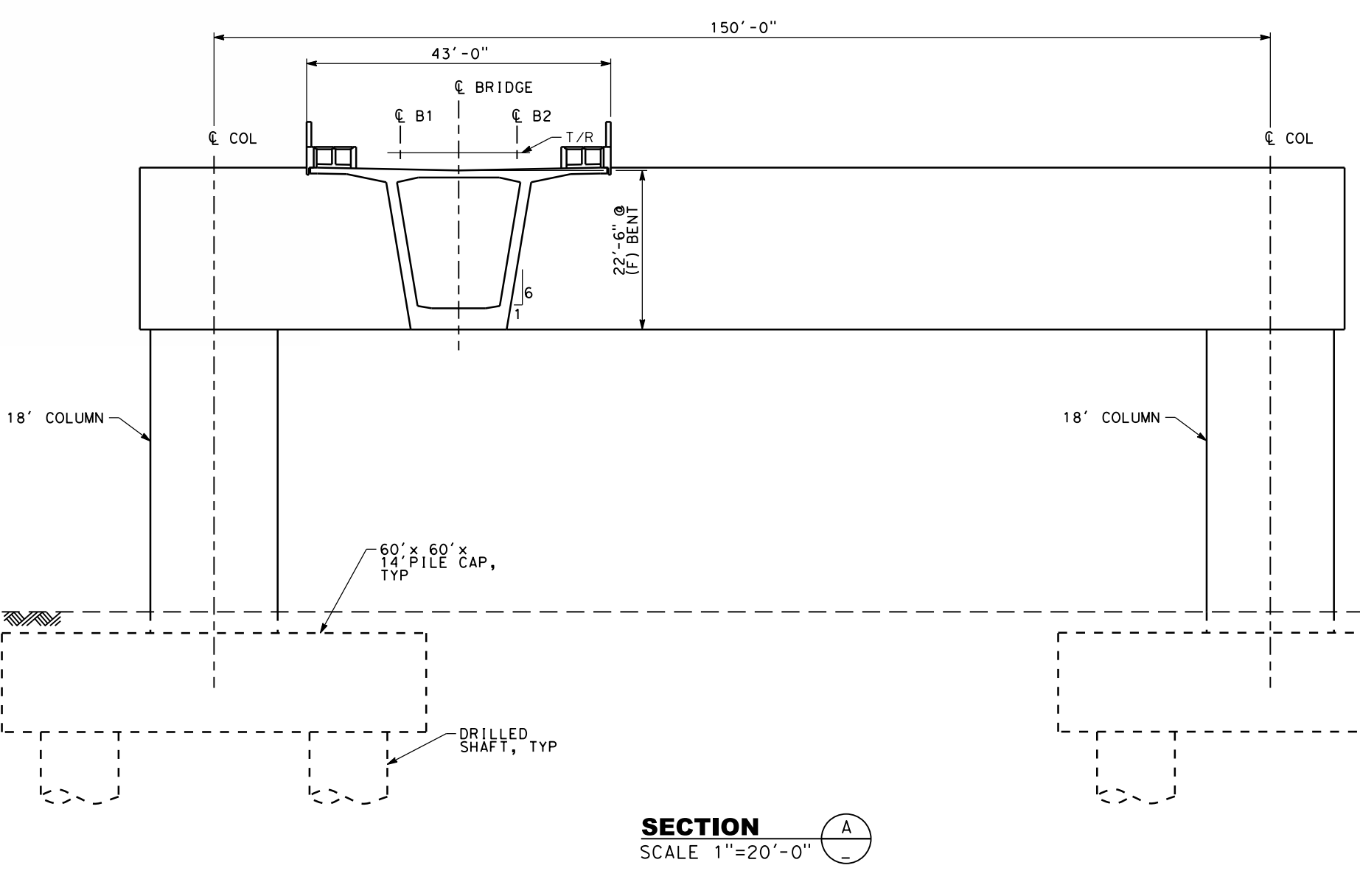
RECORD PERM SUBMITTAL MAY 3, 2019 NOT FOR CONSTRUCTION	HNTB 1111 Broadway 9th Floor Oakland, CA 94607	CALIFORNIA High-Speed Rail Authority	CALIFORNIA HIGH-SPEED TRAIN PROJECT SAN JOSE TO MERCED MONTEREY CORRIDOR VIADUCT/AT-GRADE OVERPASSES AND UNDERPASSES GENERAL PLAN	CONTRACT NO. HSR15-34 DRAWING NO. ST-T0401 SCALE AS SHOWN SHEET NO.
---	--	--	--	--



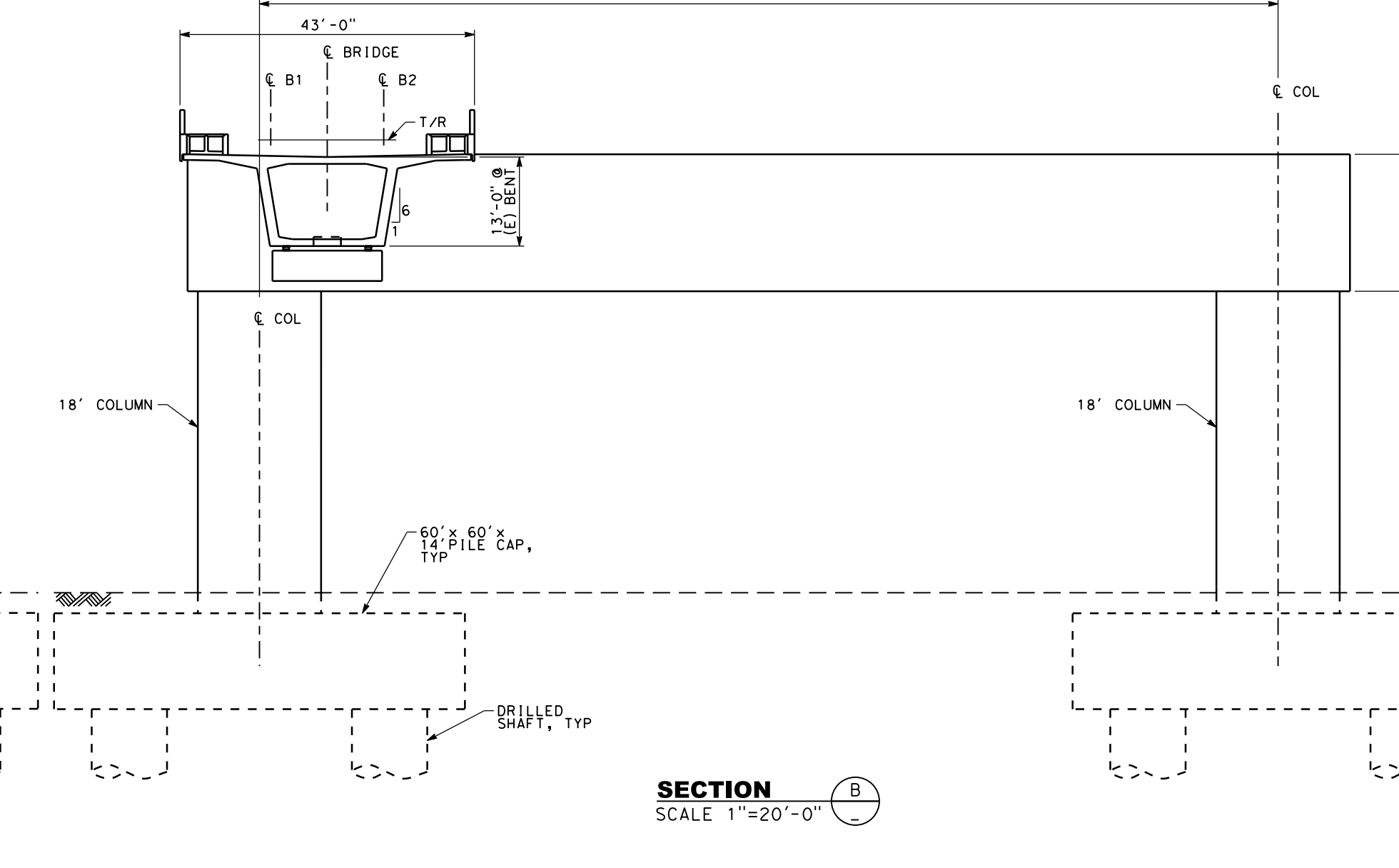
PLAN - CAPITOL CALTRAIN
SCALE: 1"=200'



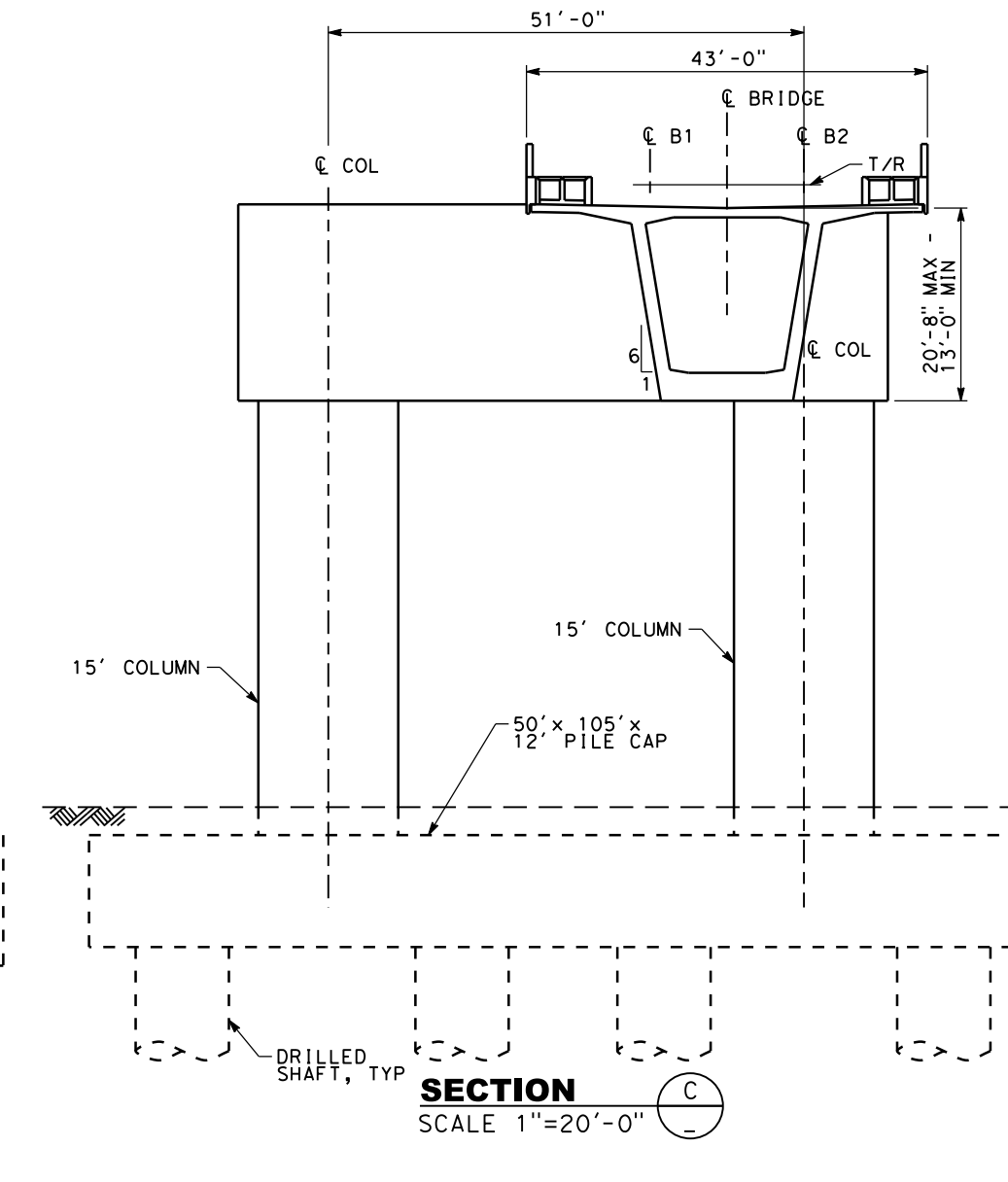
PROFILE - CAPITOL CALTRAIN
SCALE: 1"=200' HOR, 1"=100' VERT



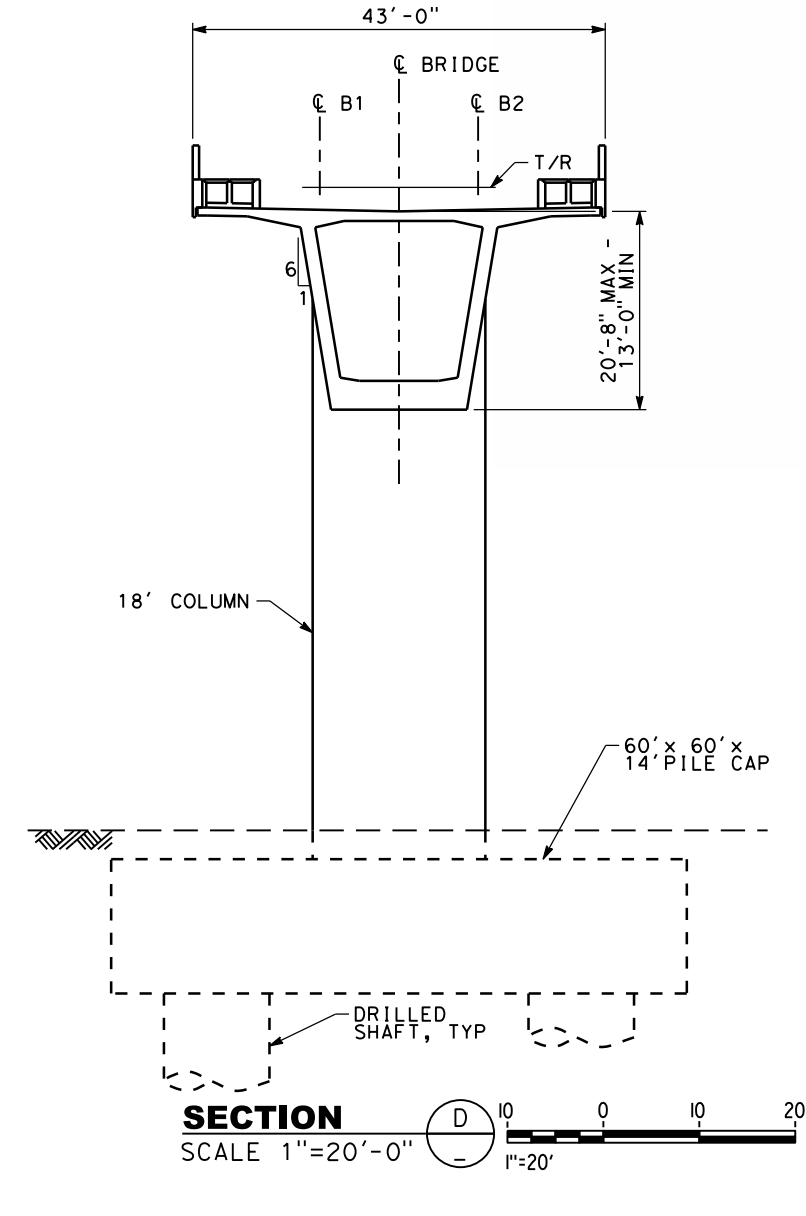
SECTION A-A
SCALE 1"=20'-0"



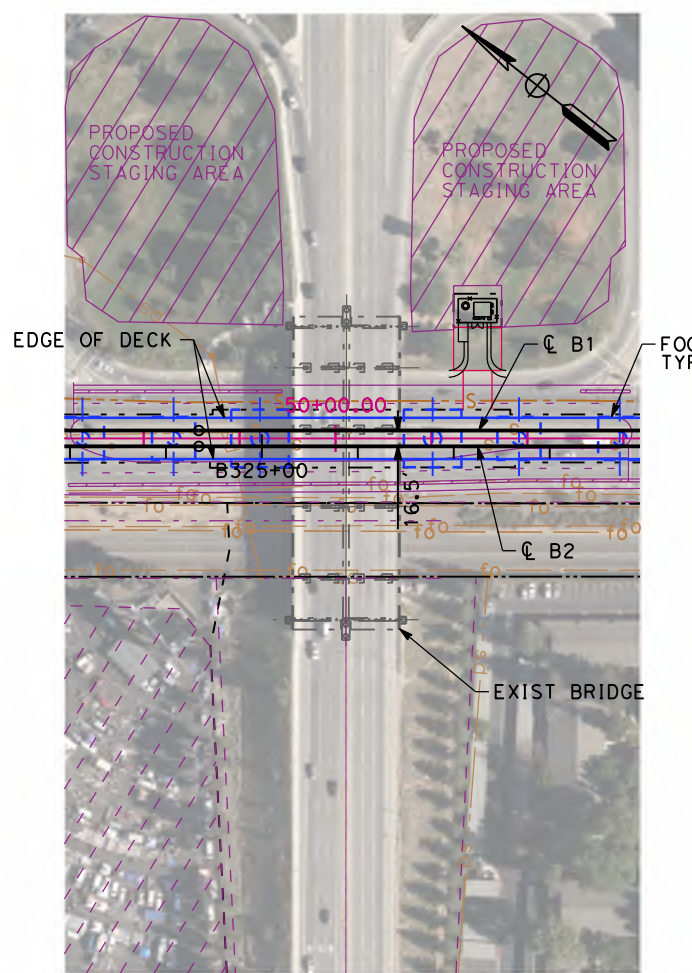
SECTION B-B
SCALE 1"=20'-0"



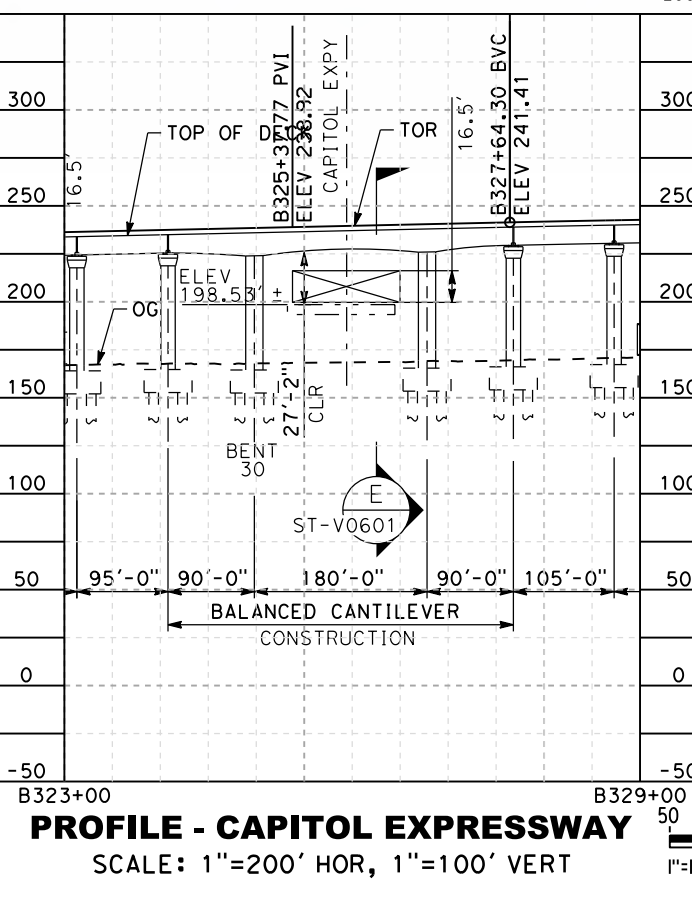
SECTION C-C
SCALE 1"=20'-0"



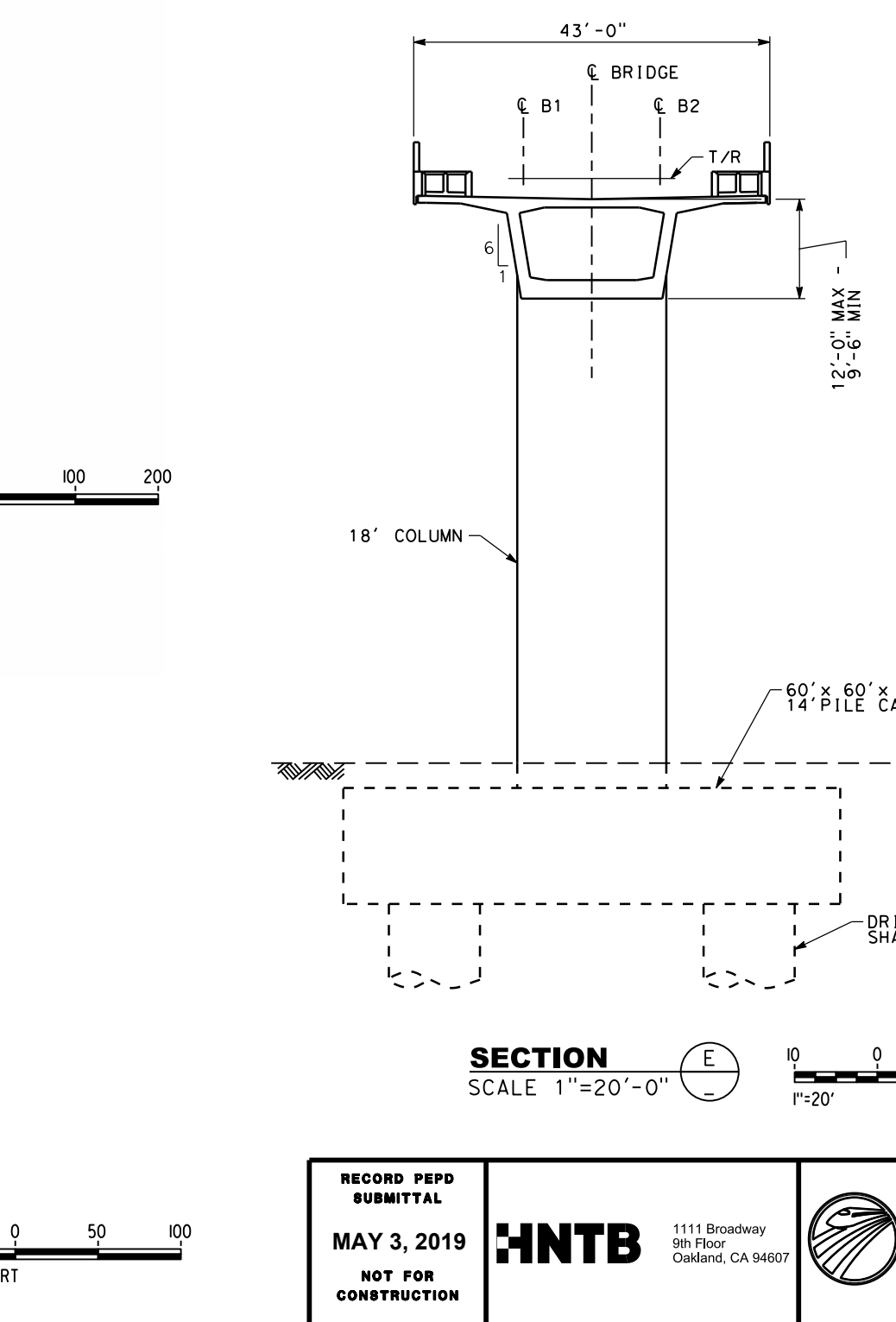
SECTION D-D
SCALE 1"=20'-0"



PLAN - CAPITOL EXPRESSWAY
SCALE: 1"=200'



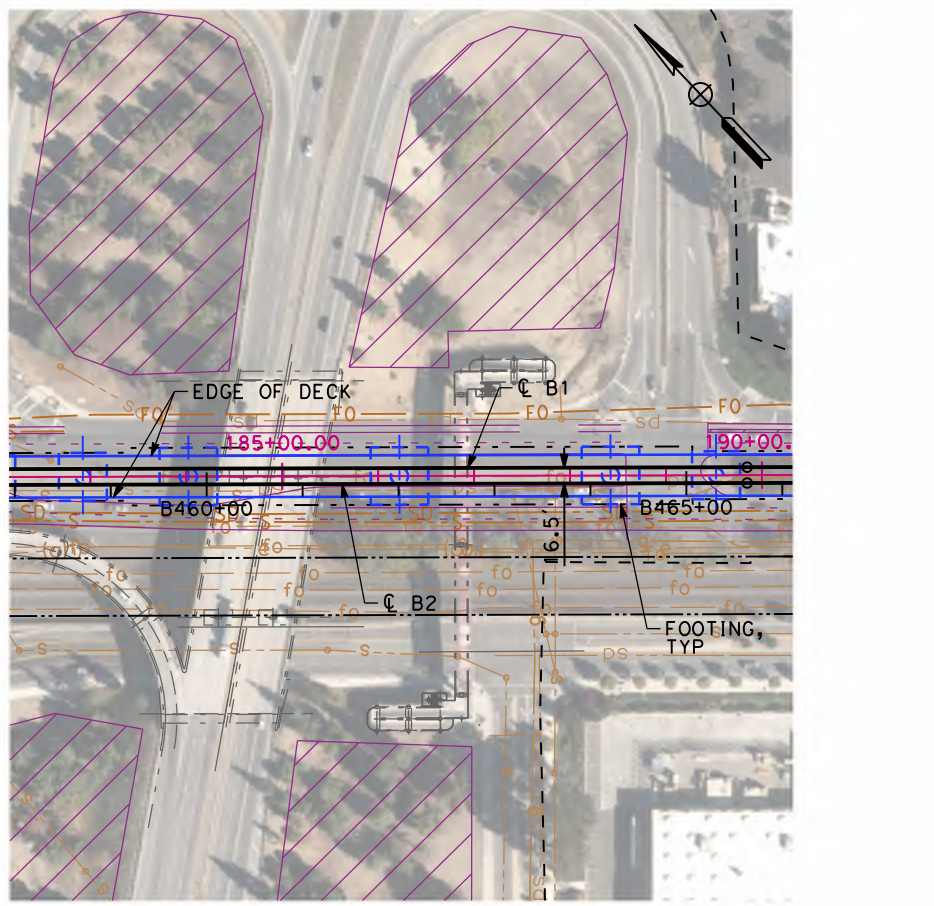
PROFILE - CAPITOL EXPRESSWAY
SCALE: 1"=200' HOR, 1"=100' VERT



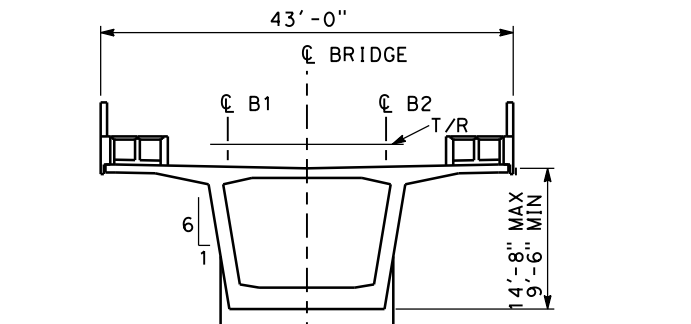
SECTION E-E
SCALE 1"=20'-0"

SAN JOSE TO CVY EIR/S: VOLUME III
ALTERNATIVE 3
BOOK 3C
SHEET 83 OF 216

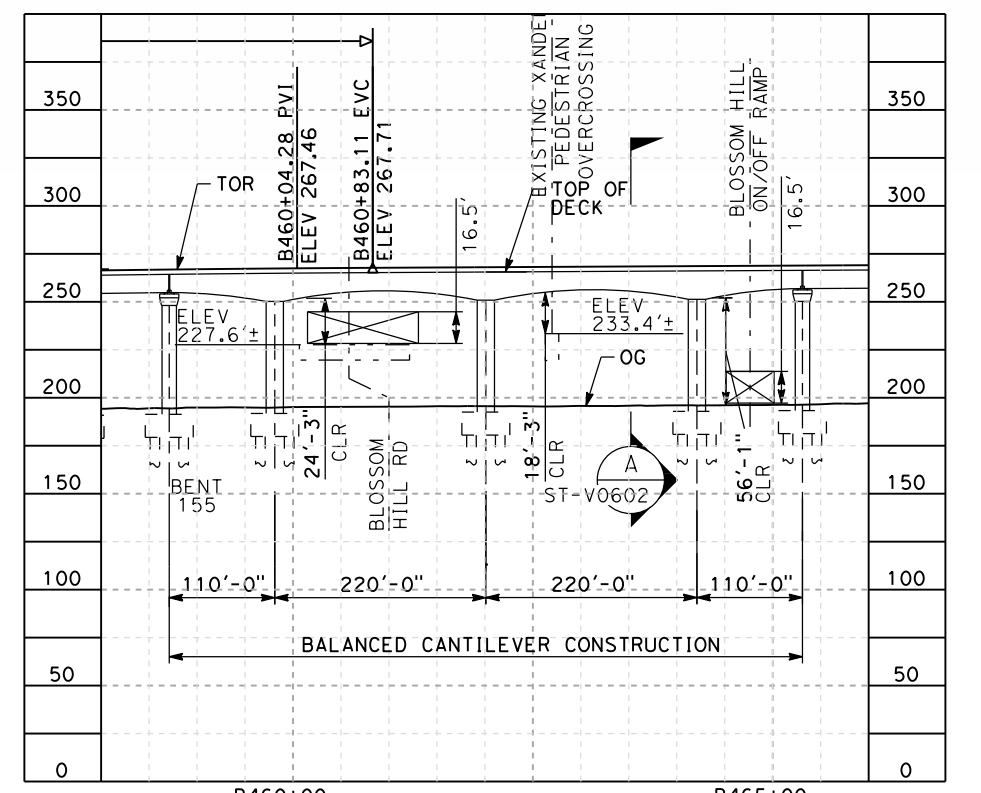
RECORD PERM SUBMITTAL MAY 3, 2019 NOT FOR CONSTRUCTION		1111 Broadway 9th Floor Oakland, CA 94607		CALIFORNIA HIGH-SPEED TRAIN PROJECT SAN JOSE TO MERCED MONTEREY CORRIDOR VIADUCT COMPLEX STRUCTURES GENERAL PLAN 1 OF 2	CONTRACT NO. HSR15-34 DRAWING NO. ST-V0601 SCALE AS SHOWN SHEET NO.
--	--	---	--	---	--



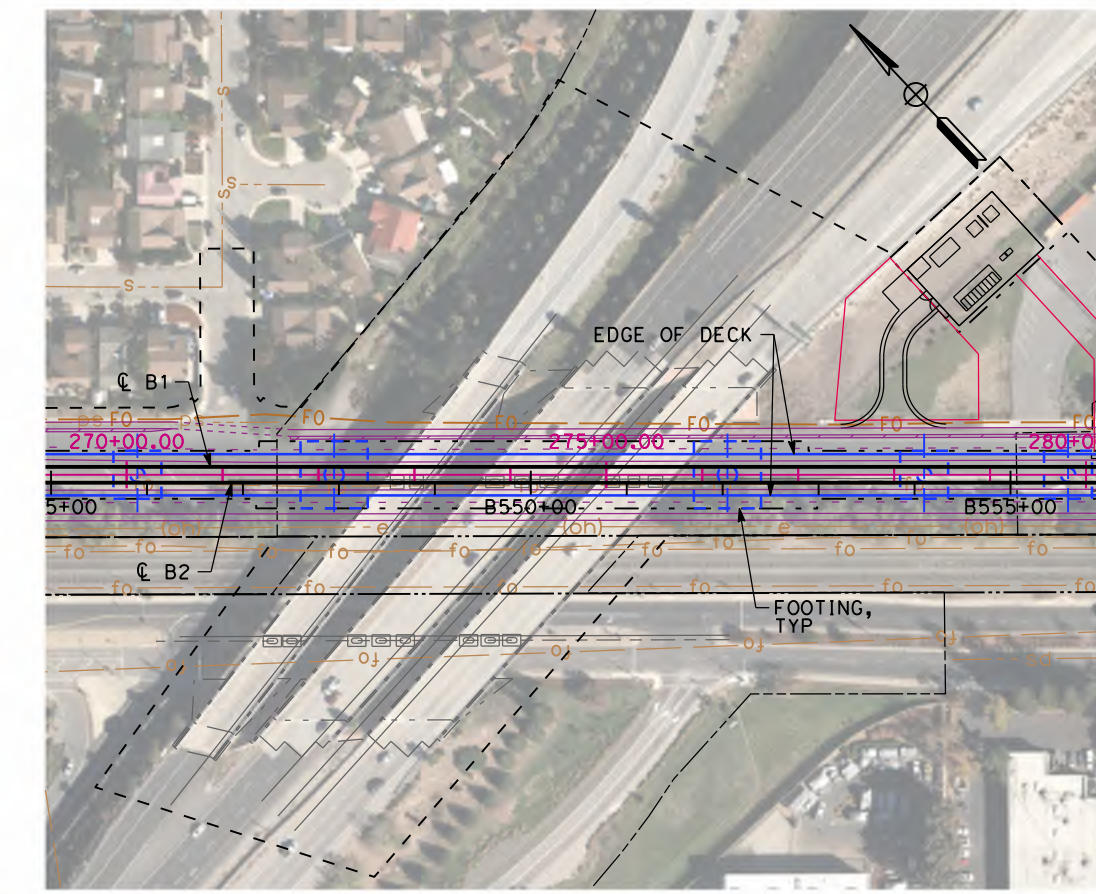
PLAN - BLOSSOM HILL ROAD
SCALE: 1"=200'



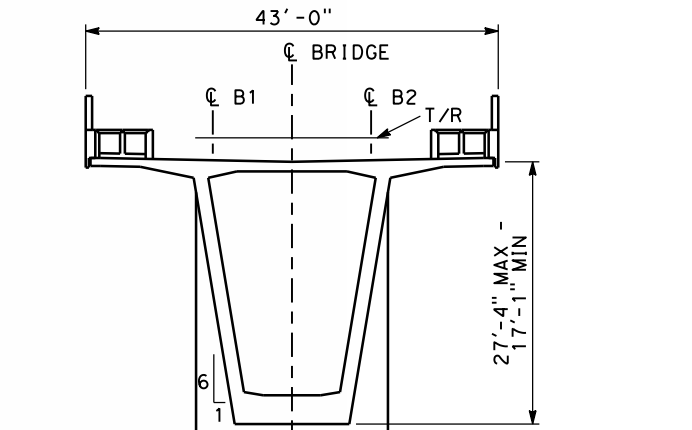
SECTION
SCALE 1"=20'-0"



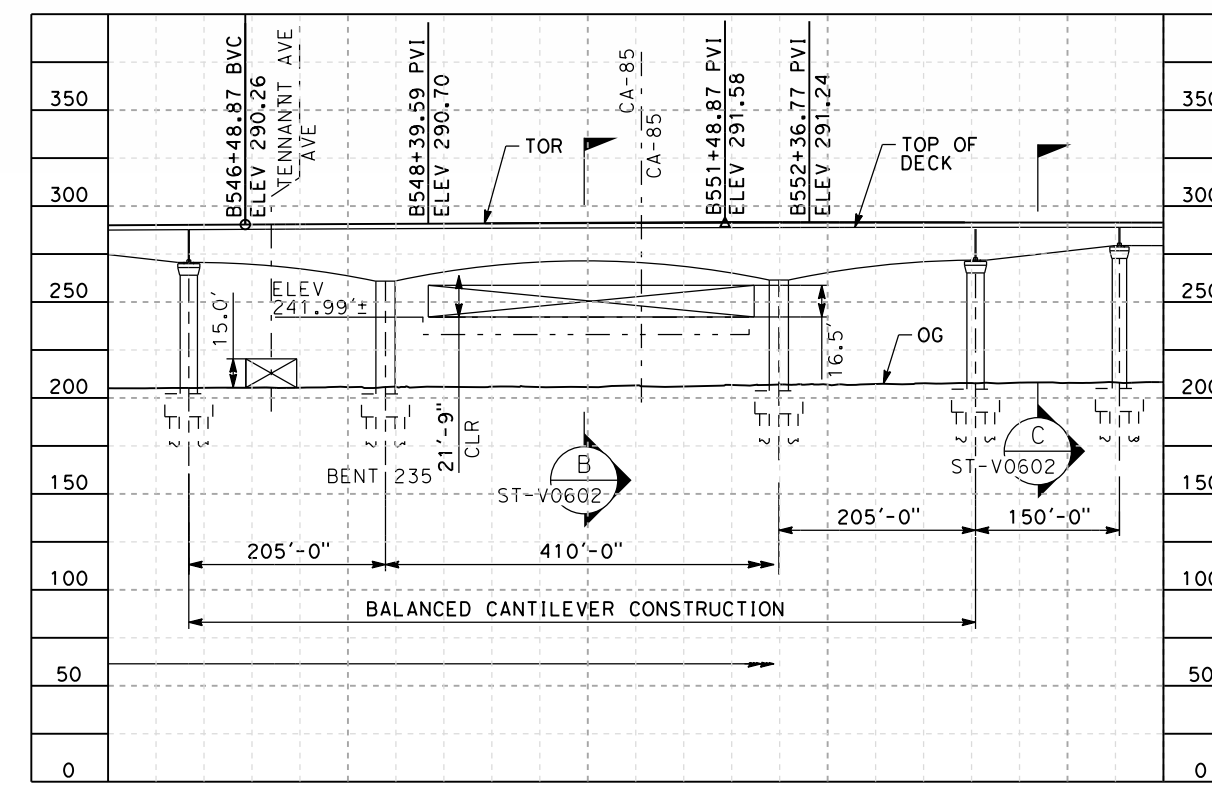
PROFILE - BLOSSOM HILL ROAD
SCALE: 1"=200' HOR, 1"=100' VERT



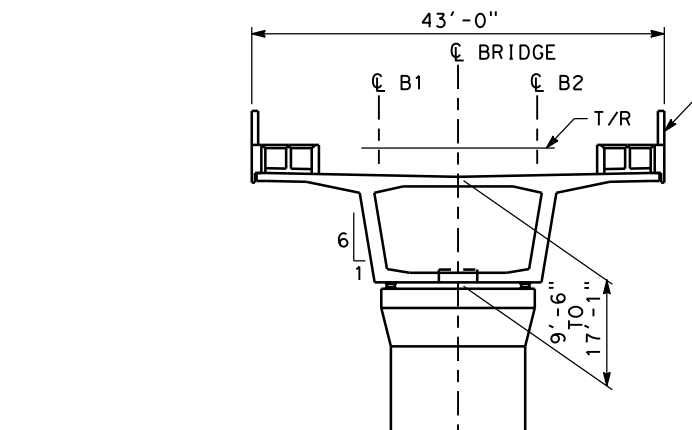
PLAN - STATE ROUTE 85
SCALE: 1"=200'



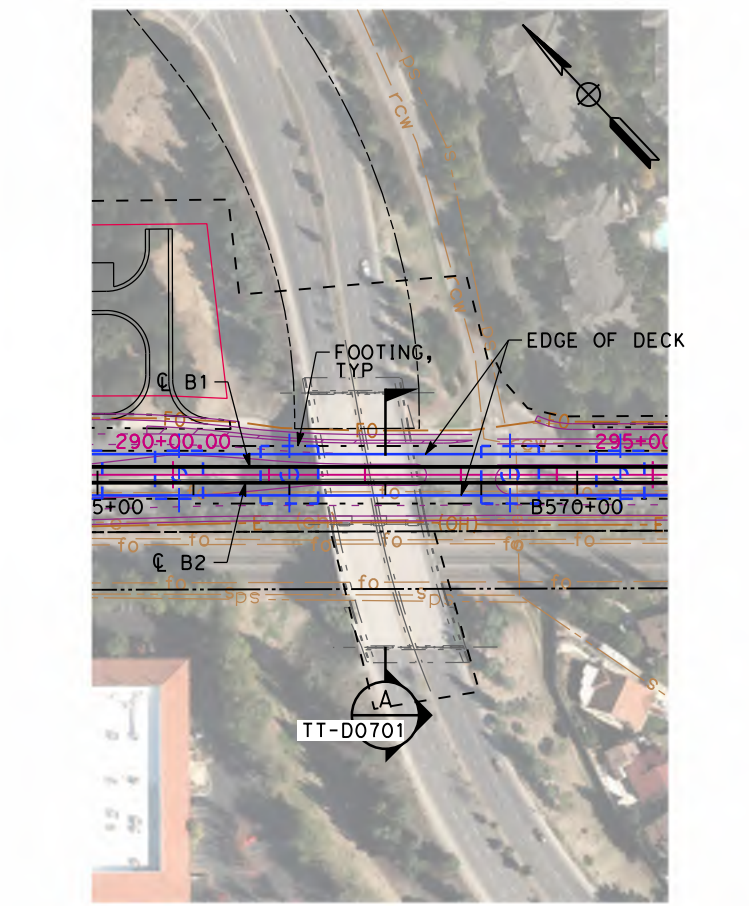
SECTION
SCALE 1"=20'-0"



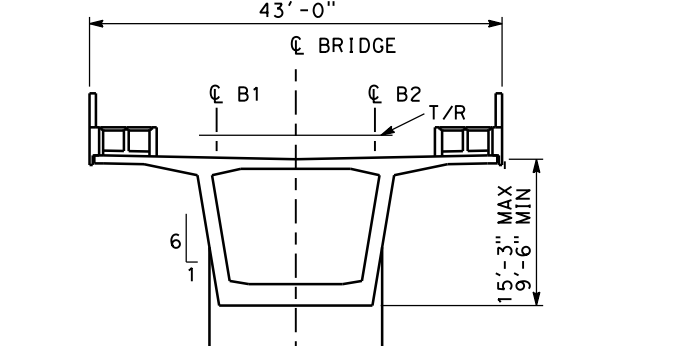
PROFILE - STATE ROUTE 85
SCALE: 1"=200' HOR, 1"=100' VERT



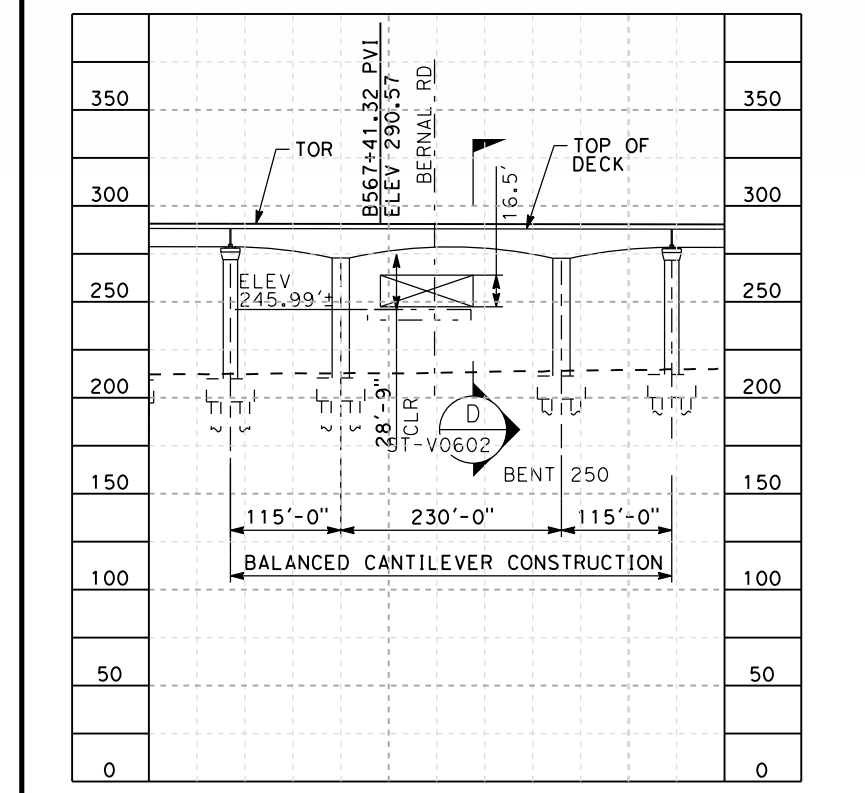
SECTION
SCALE 1"=20'-0"



PLAN - BERNAL ROAD
SCALE: 1"=200'



SECTION
SCALE 1"=20'-0"



PROFILE - BERNAL ROAD
SCALE: 1"=200' HOR, 1"=100' VERT

RECORD PERM SUBMITTAL
MAY 3, 2019
NOT FOR CONSTRUCTION

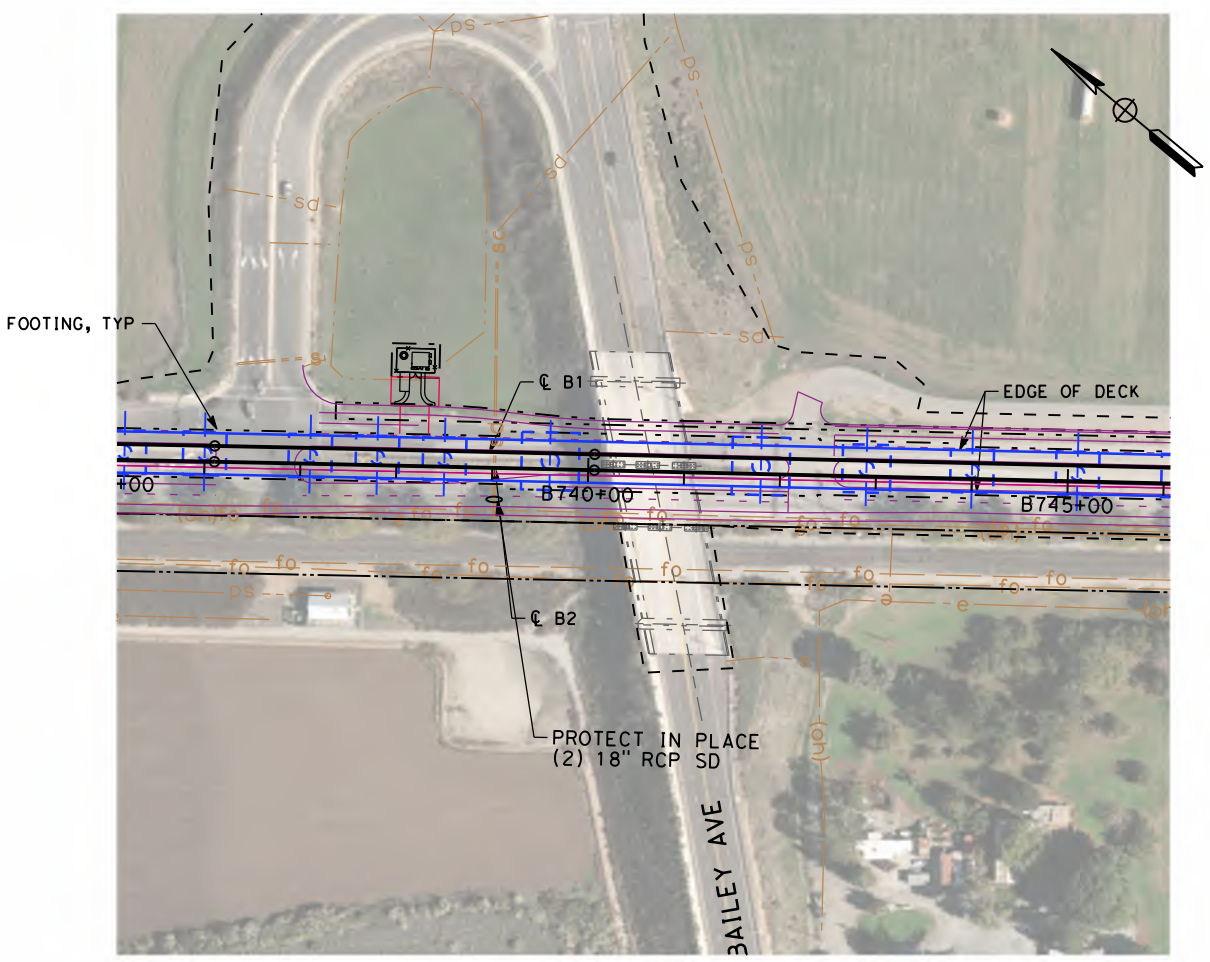
HNTB
1111 Broadway
9th Floor
Oakland, CA 94607

CALIFORNIA High-Speed Rail Authority

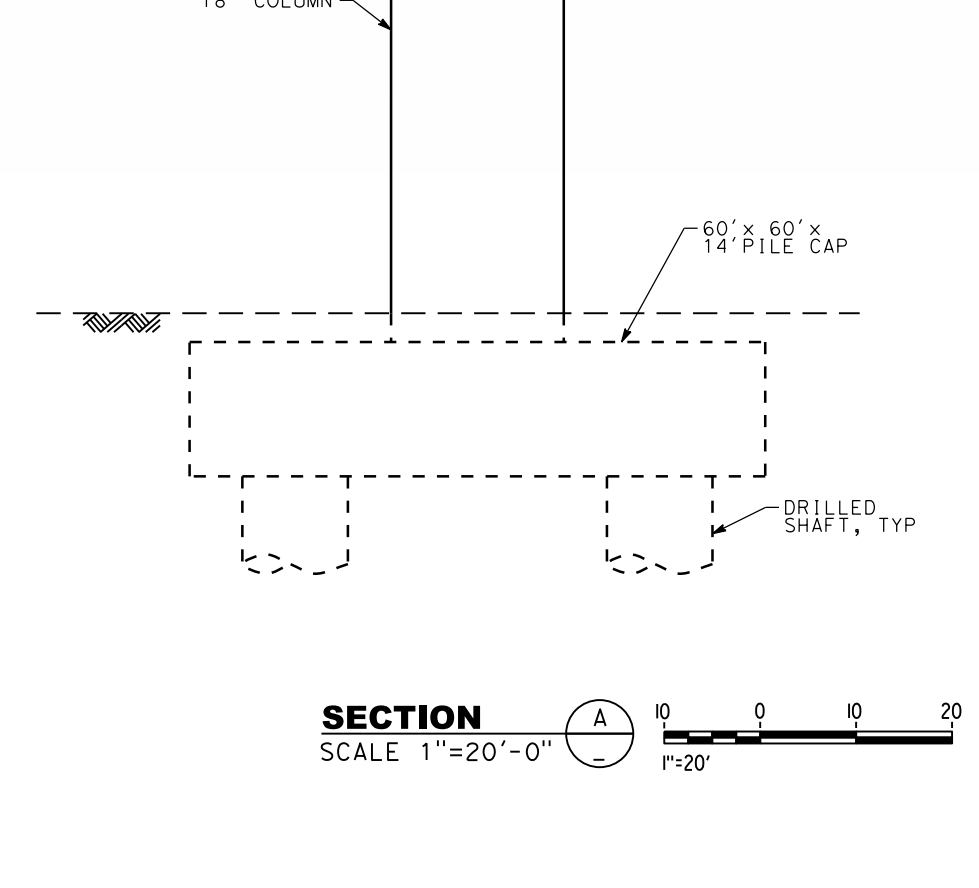
CALIFORNIA HIGH-SPEED TRAIN PROJECT
SAN JOSE TO MERCED
MONTEREY CORRIDOR VIADUCT
COMPLEX STRUCTURES GENERAL PLAN 2 OF 2

CONTRACT NO. HSR15-34
DRAWING NO. ST-V0602
SCALE AS SHOWN
SHEET NO.

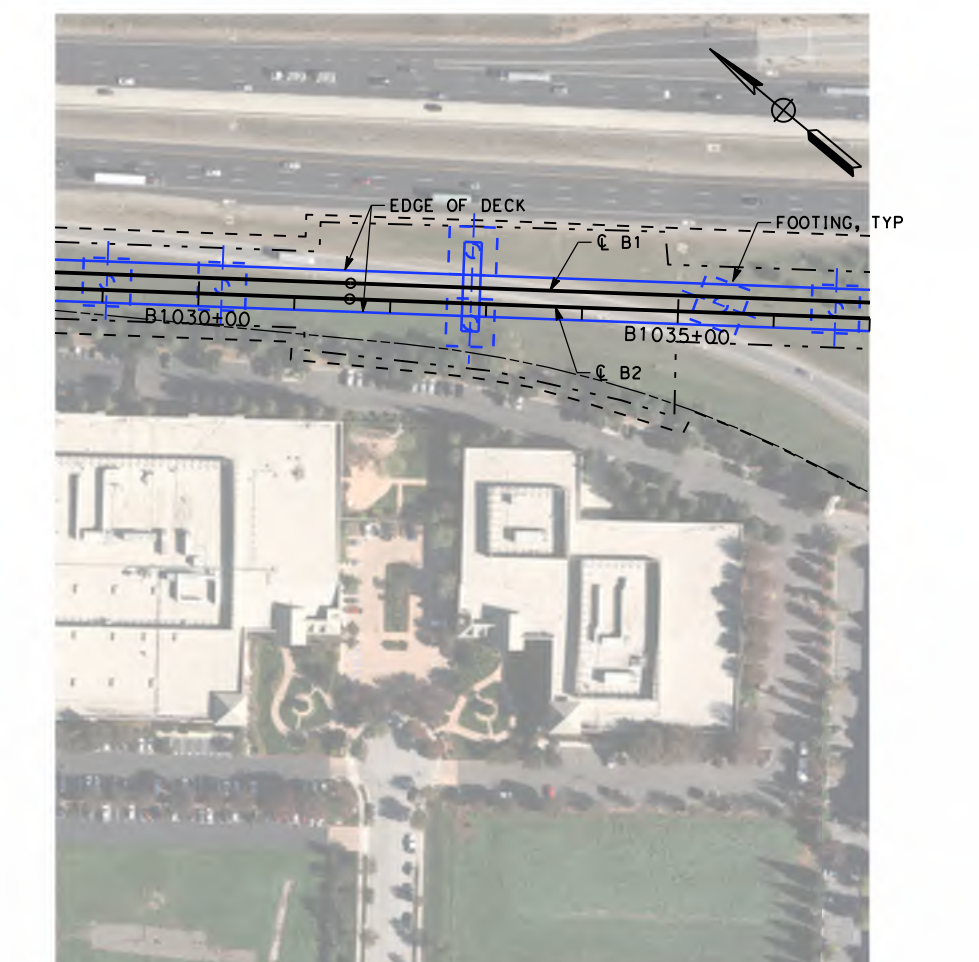
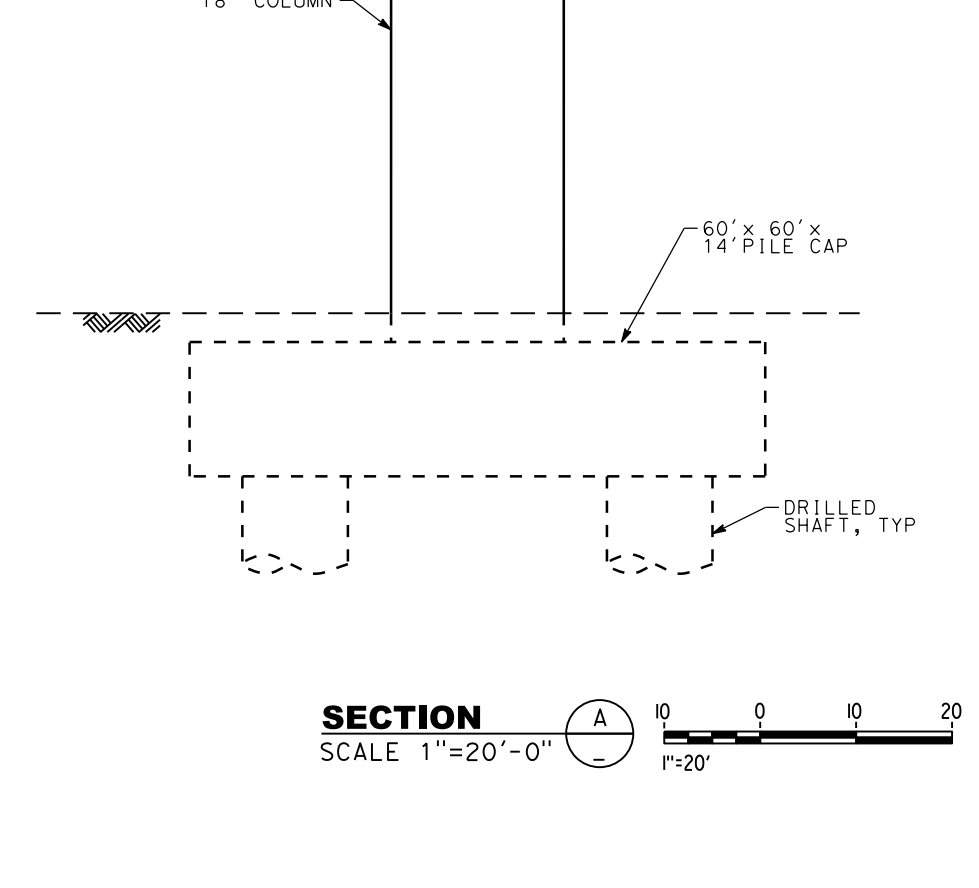
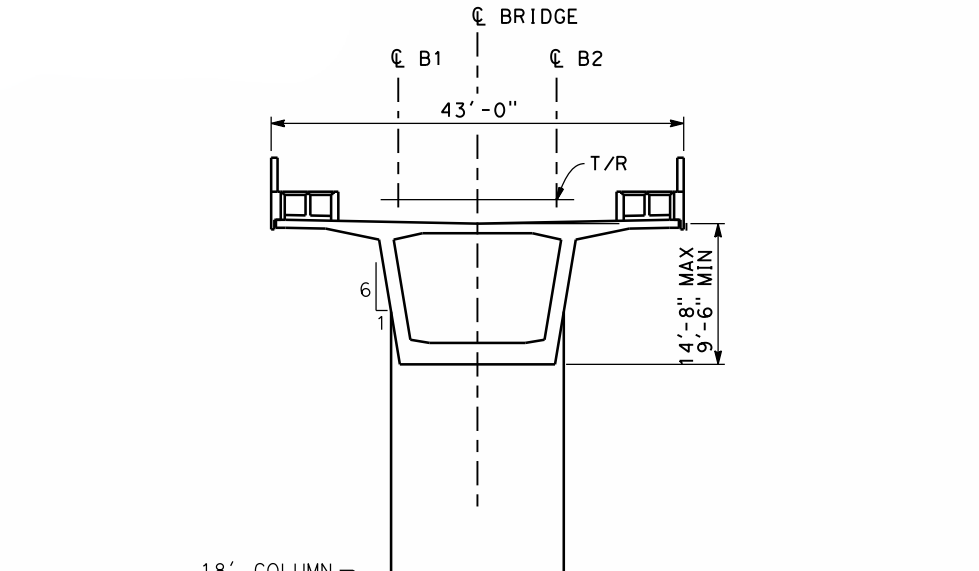
SAN JOSE TO CVY EIR/S: VOLUME III
ALTERNATIVE 3
BOOK 3C
SHEET 84 OF 216



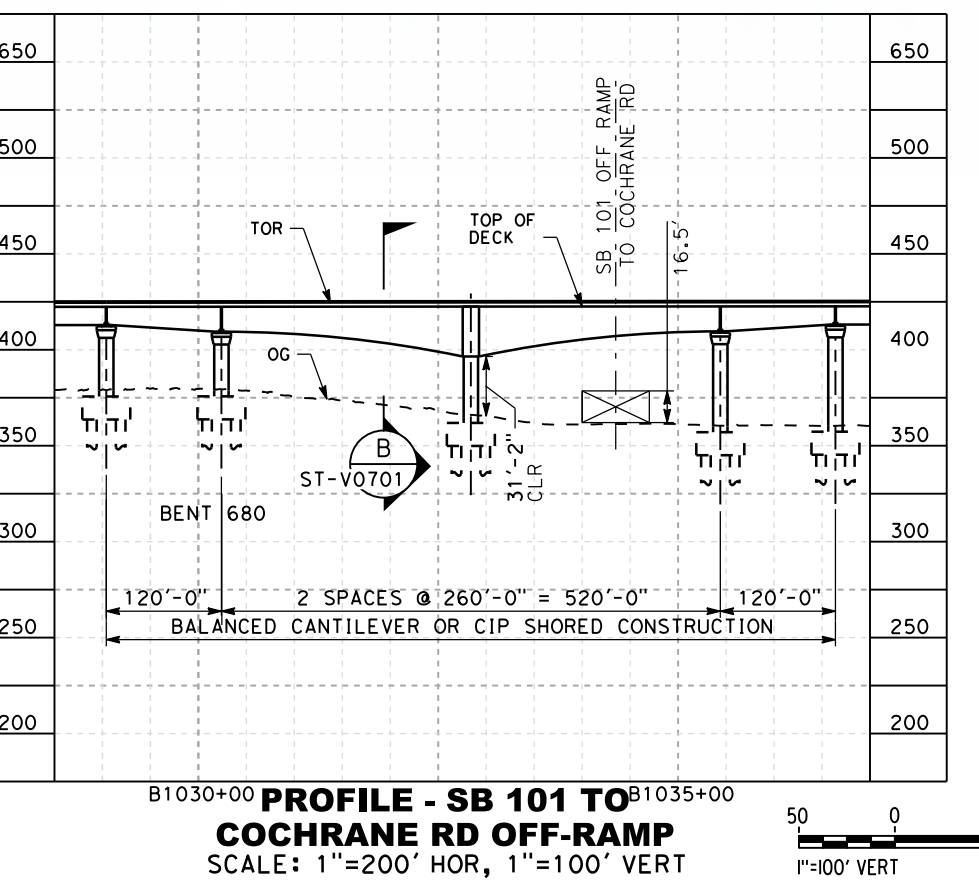
PLAN - SB 101 TO BAILEY AVENUE
SCALE: 1"=200' HOR, 1"=100' VERT



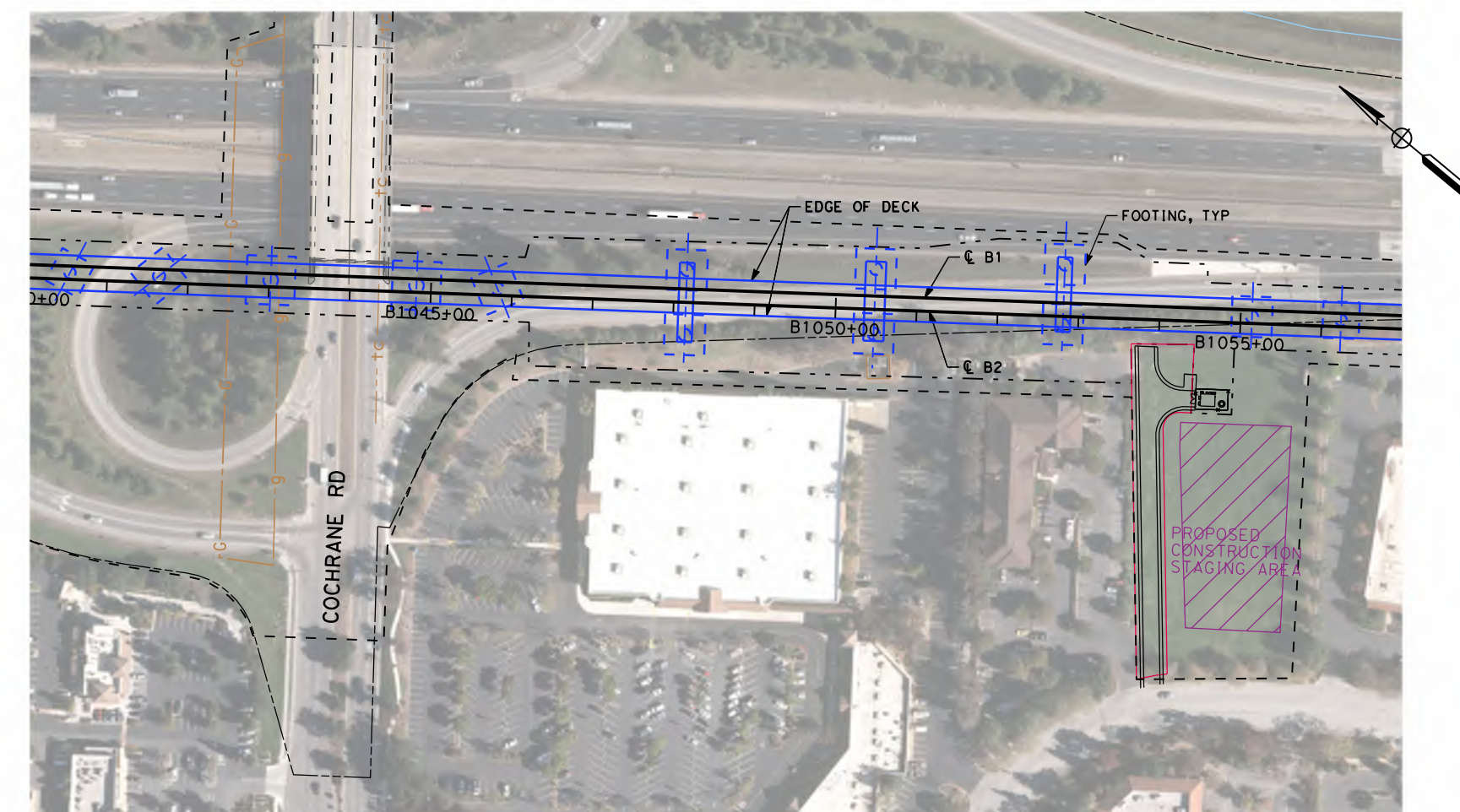
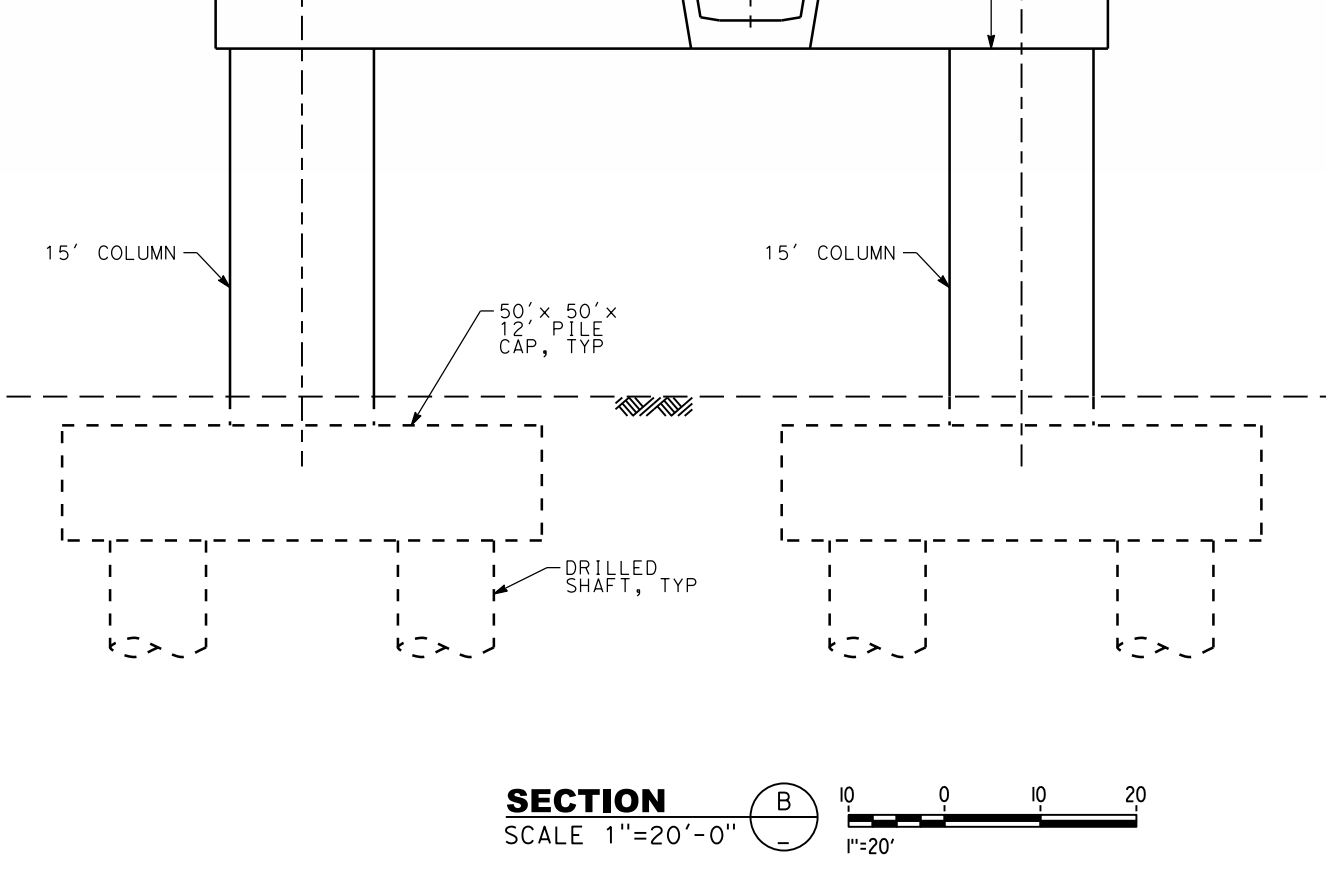
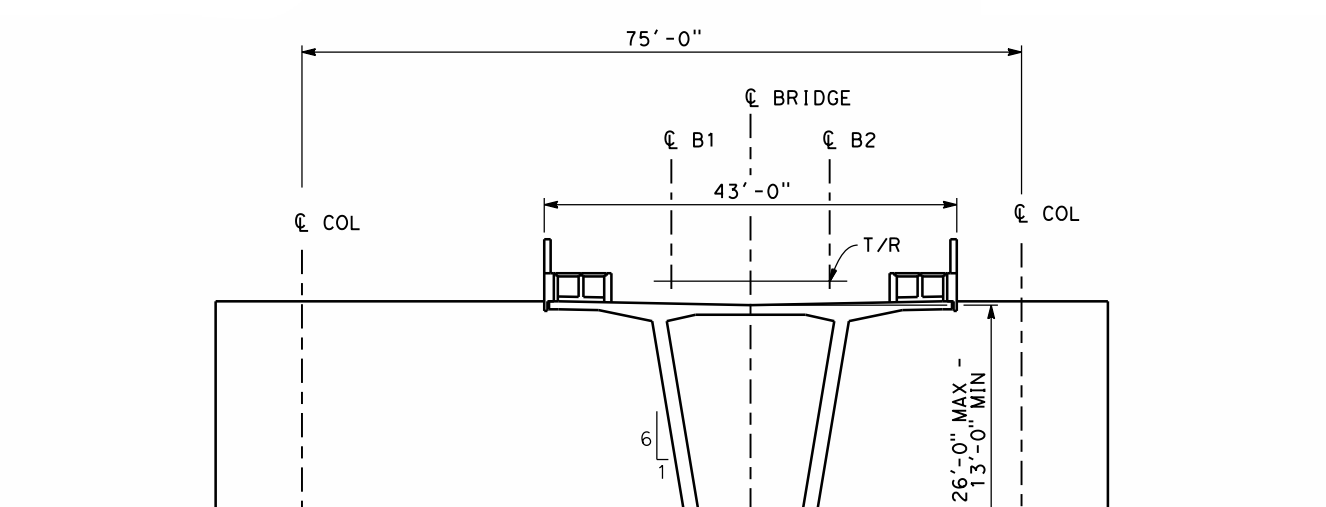
PROFILE - BAILEY AVENUE
SCALE: 1"=200' HOR, 1"=100' VERT



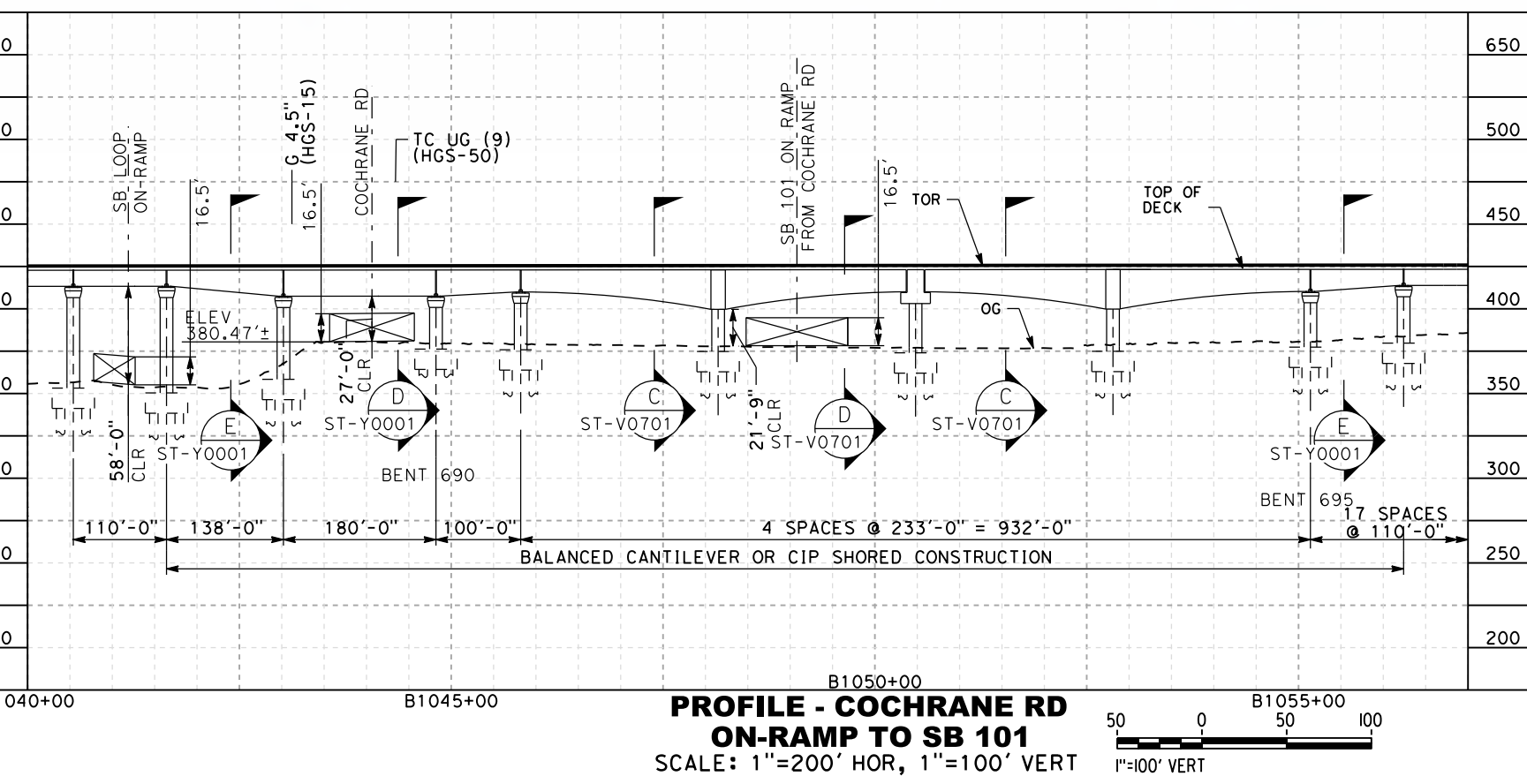
PLAN - SB 101 TO COCHRANE RD OFF-RAMP
SCALE: 1"=200' HOR, 1"=100' VERT



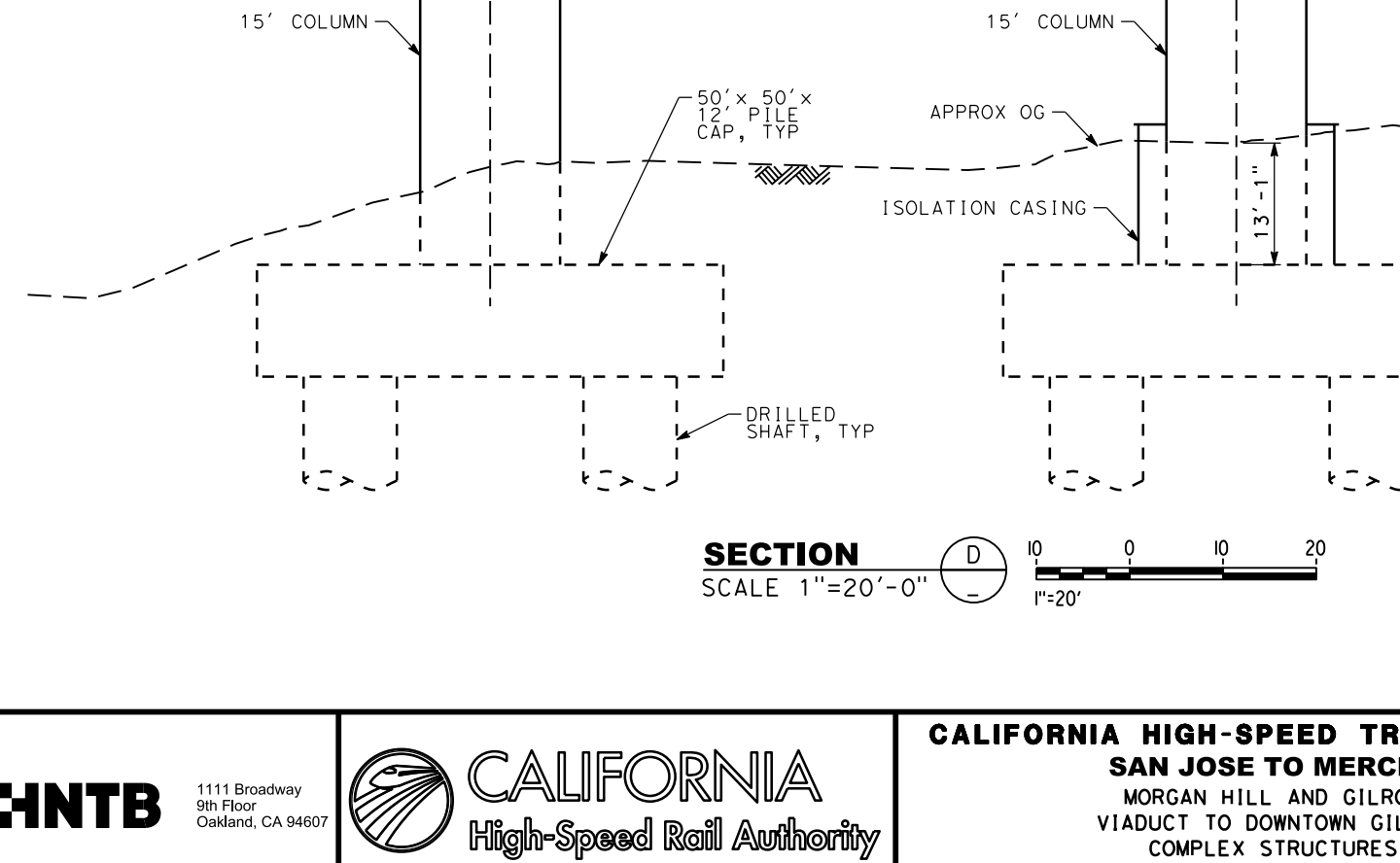
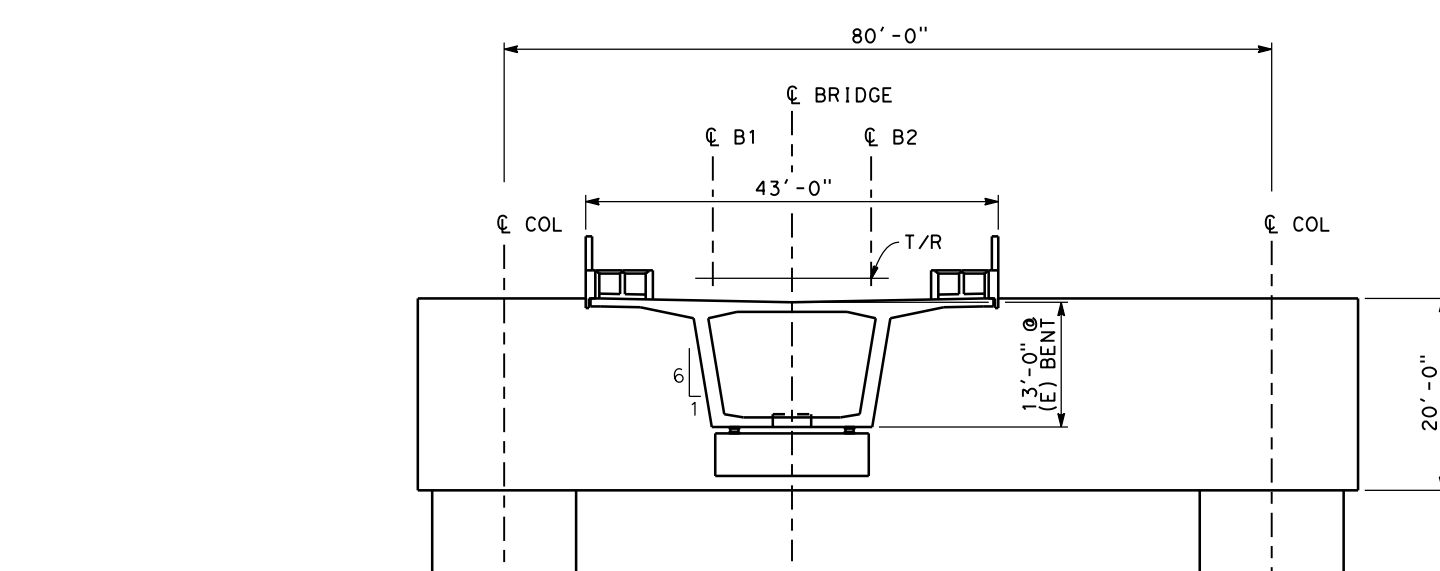
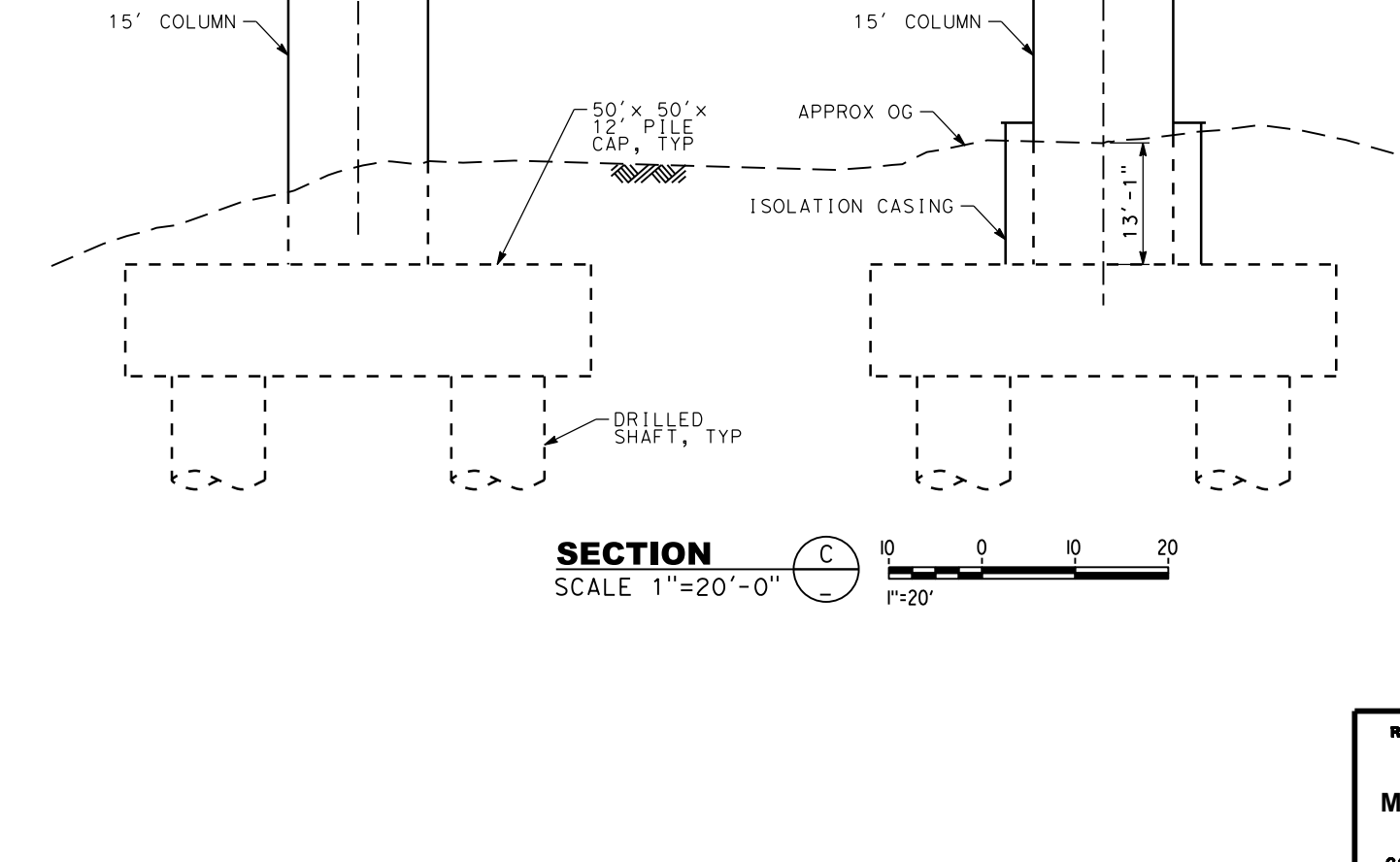
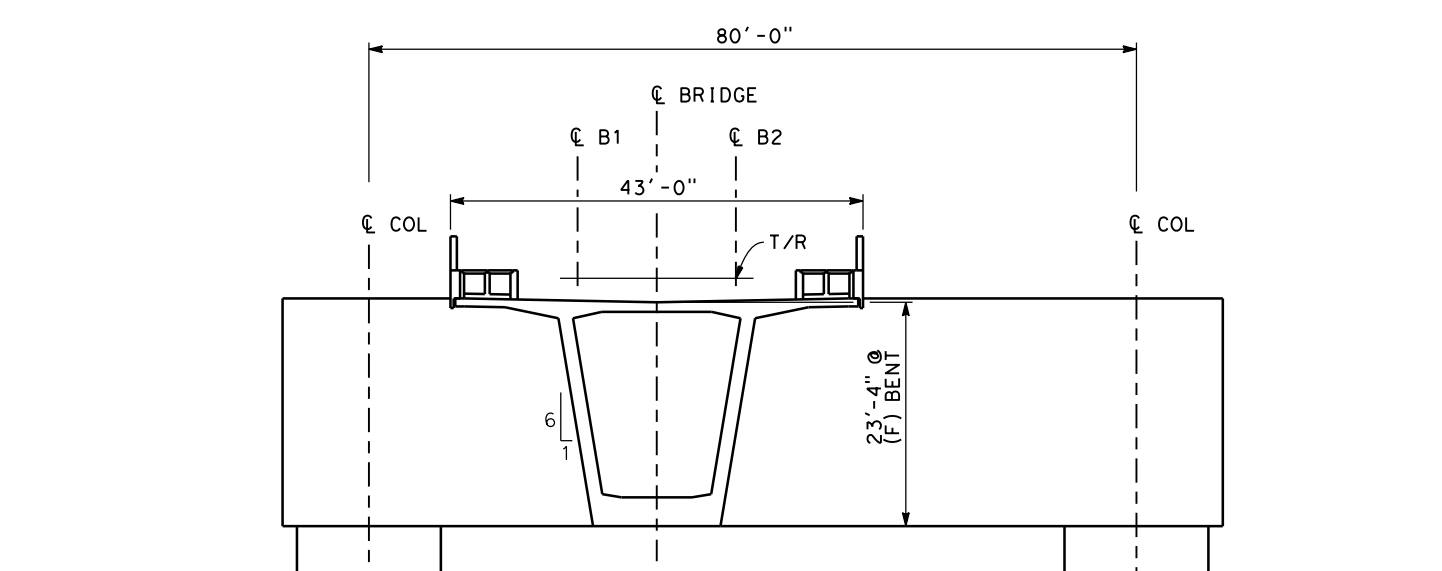
PROFILE - SB 101 TO COCHRANE RD OFF-RAMP
SCALE: 1"=200' HOR, 1"=100' VERT



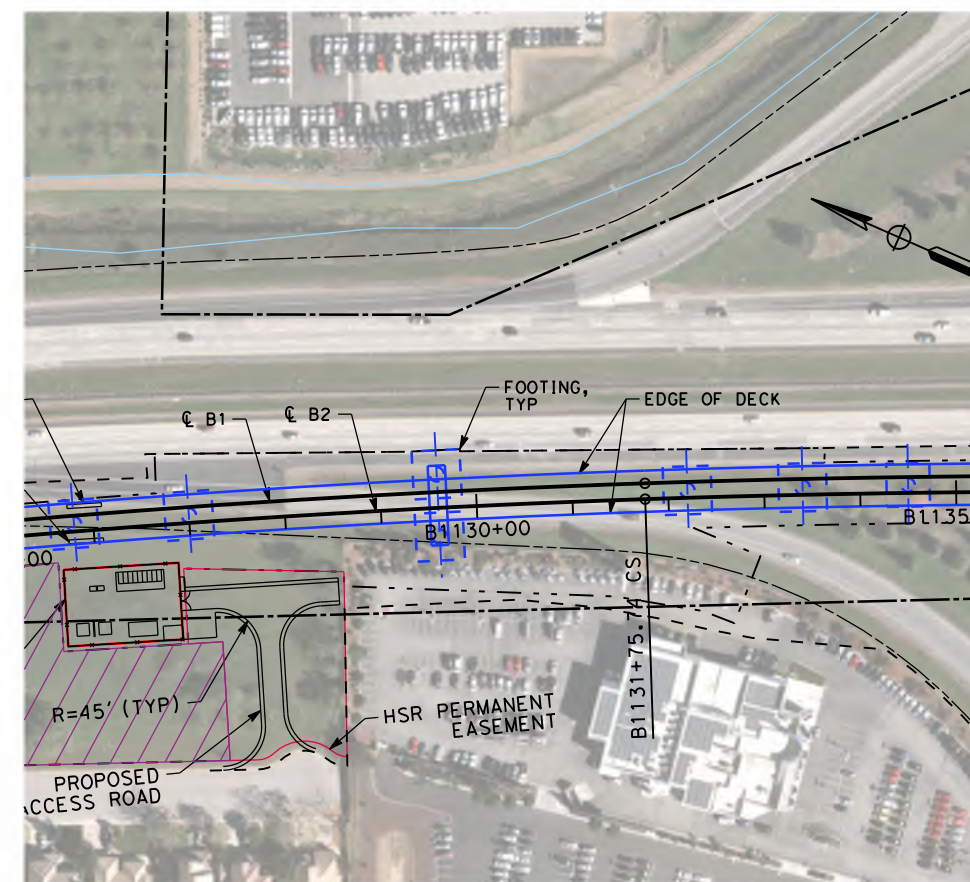
PLAN - COCHRANE RD ON-RAMP TO SB 101
SCALE: 1"=200' HOR, 1"=100' VERT



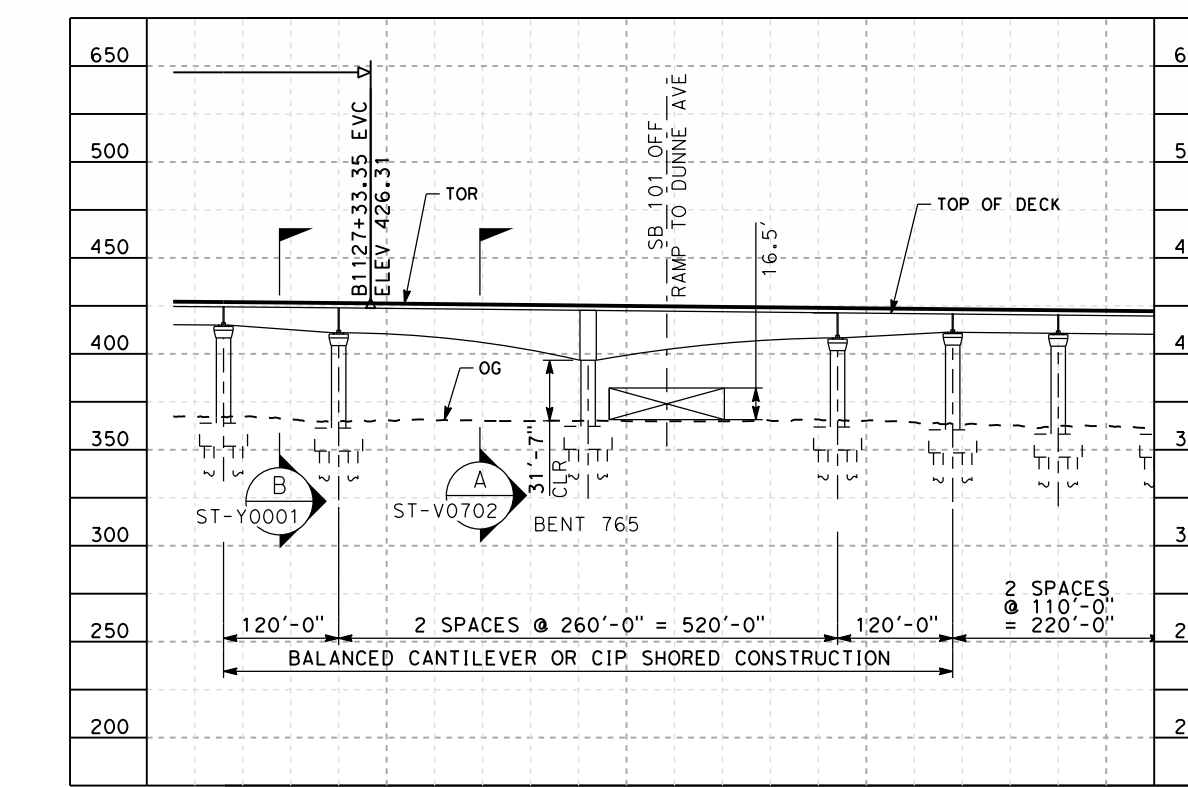
PROFILE - COCHRANE RD ON-RAMP TO SB 101
SCALE: 1"=200' HOR, 1"=100' VERT



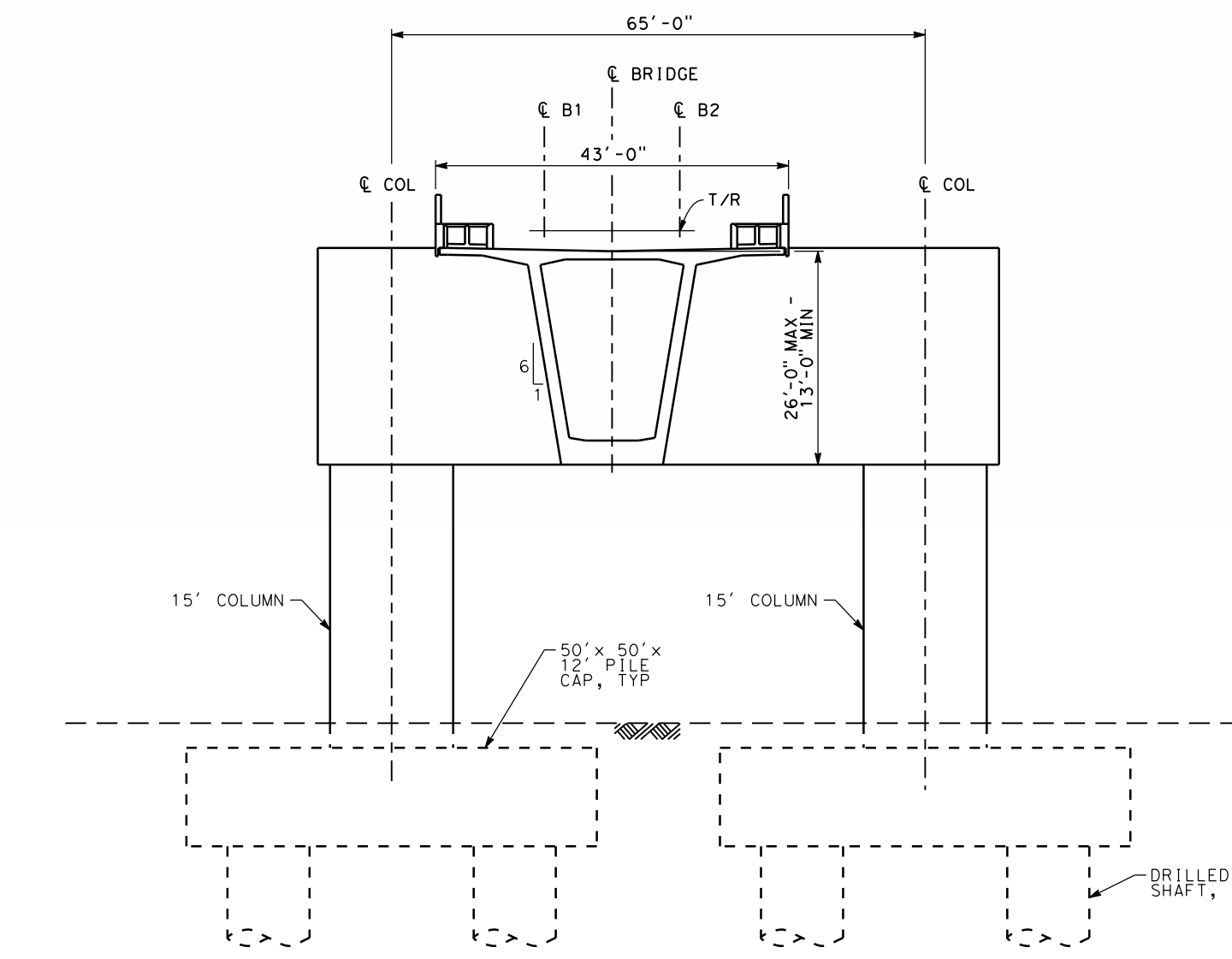
<p>RECORD PERM SUBMITTAL MAY 3, 2019 NOT FOR CONSTRUCTION</p>	<p>HNTB 1111 Broadway 9th Floor Oakland, CA 94607</p>	<p>CALIFORNIA High-Speed Rail Authority</p>	<p>CALIFORNIA HIGH-SPEED TRAIN PROJECT SAN JOSE TO MERCED MORGAN HILL AND GILROY VIADUCT TO DOWNTOWN GILROY COMPLEX STRUCTURES GENERAL PLAN 1 OF 2</p>	<p>CONTRACT NO. HSR15-34 DRAWING NO. ST-V0701 SCALE AS SHOWN SHEET NO.</p>
---	--	--	---	--



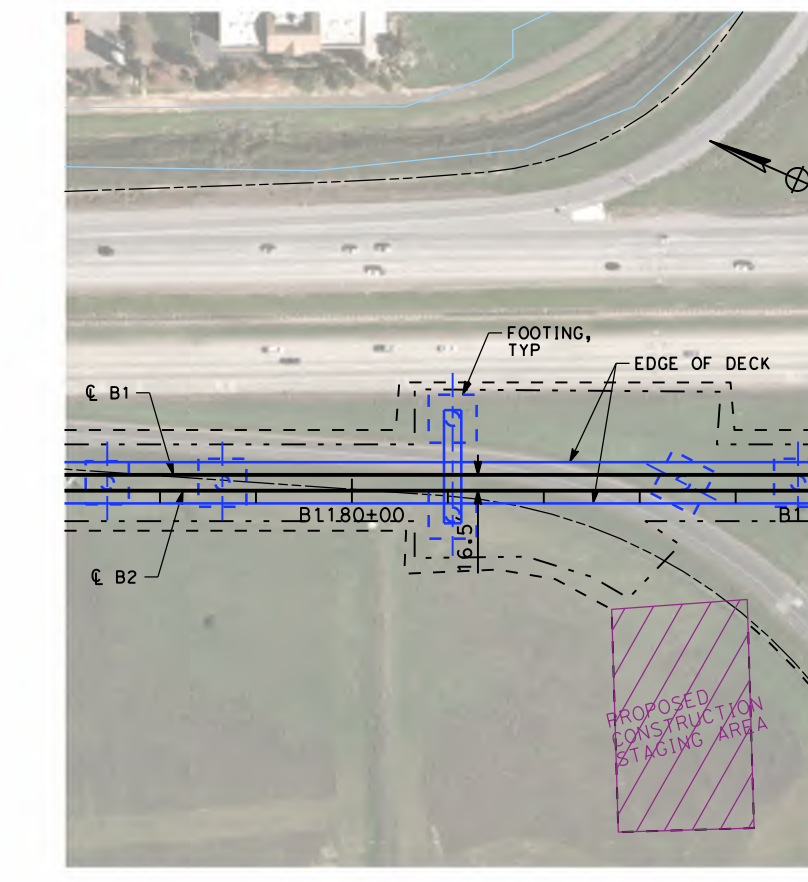
PLAN - SB 101 OFF-RAMP TO EAST DUNNE AVENUE
SCALE: 1"=200' HOR



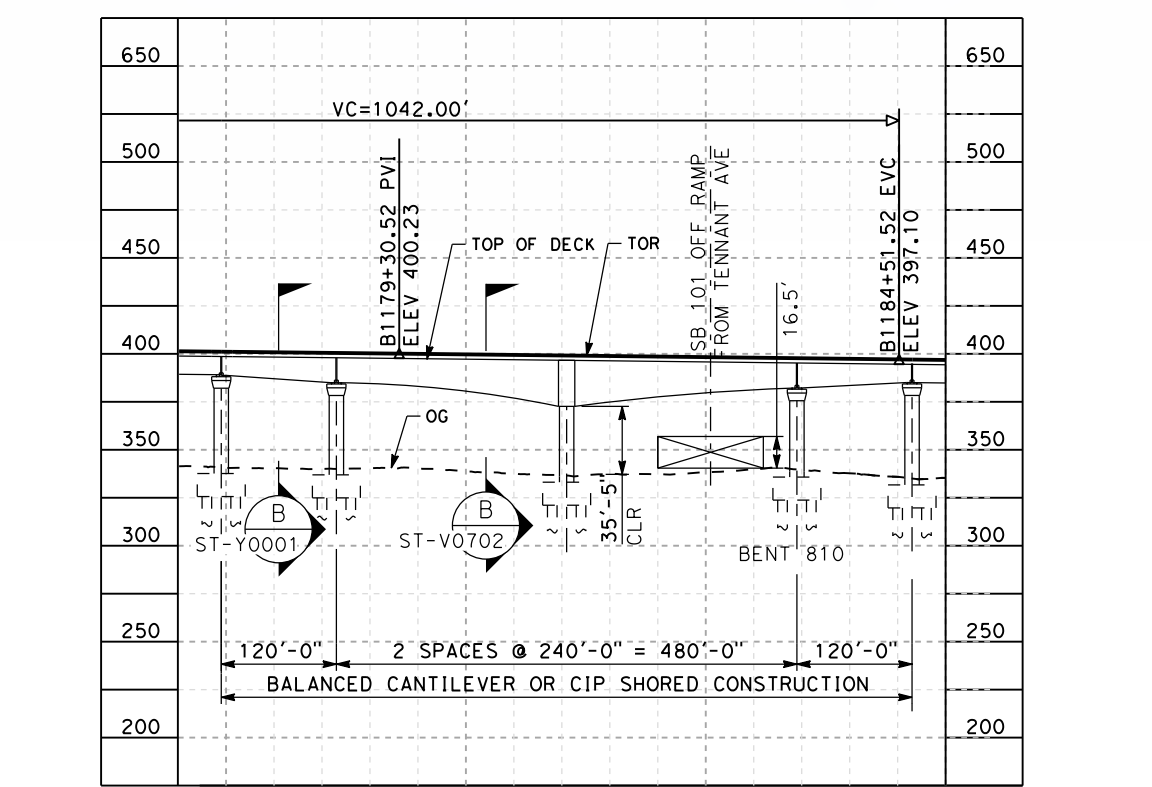
PROFILE - SB 101 OFF-RAMP TO EAST DUNNE AVENUE
SCALE: 1"=200' HOR, 1"=100' VERT



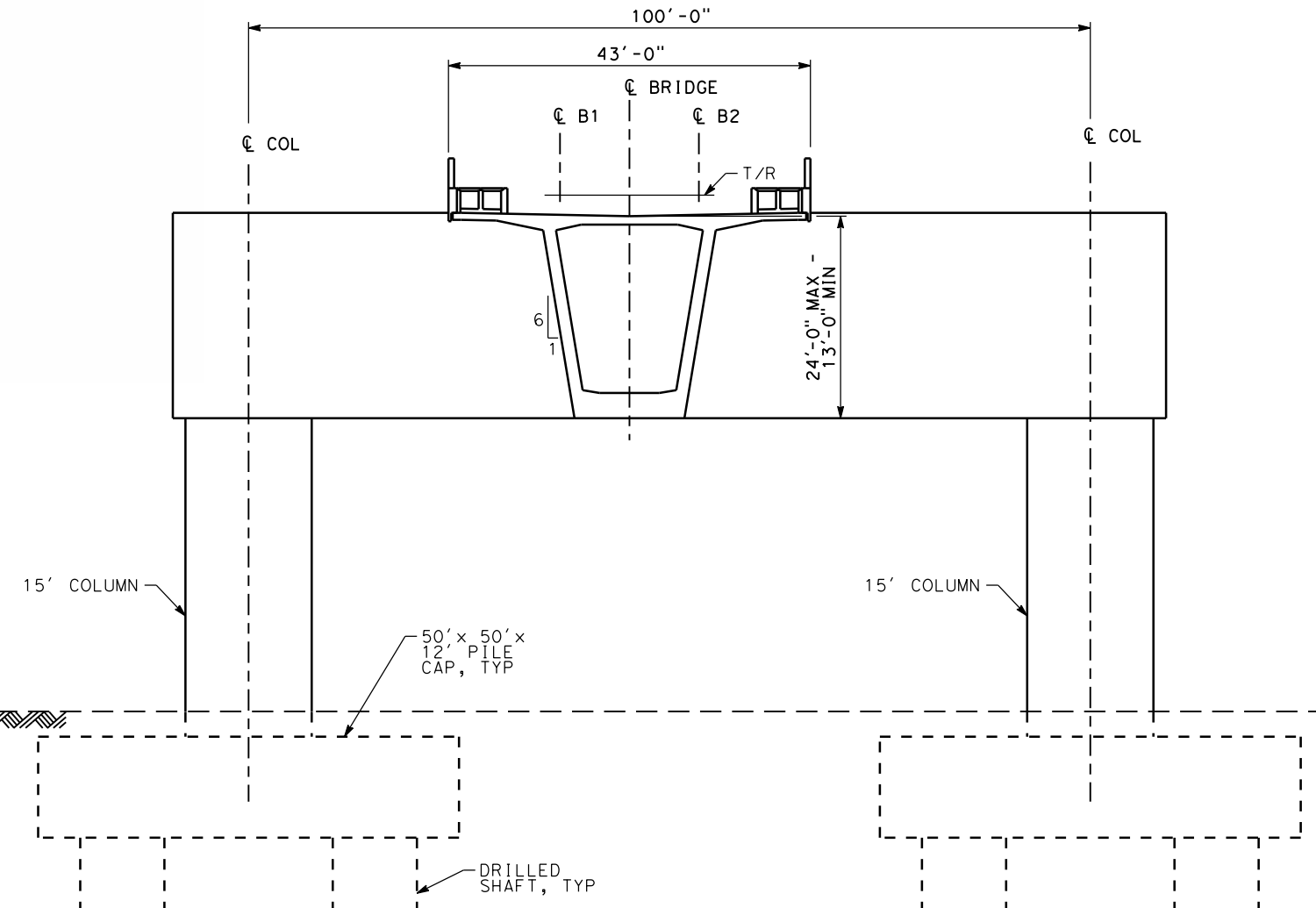
SECTION
SCALE 1"=20'-0"



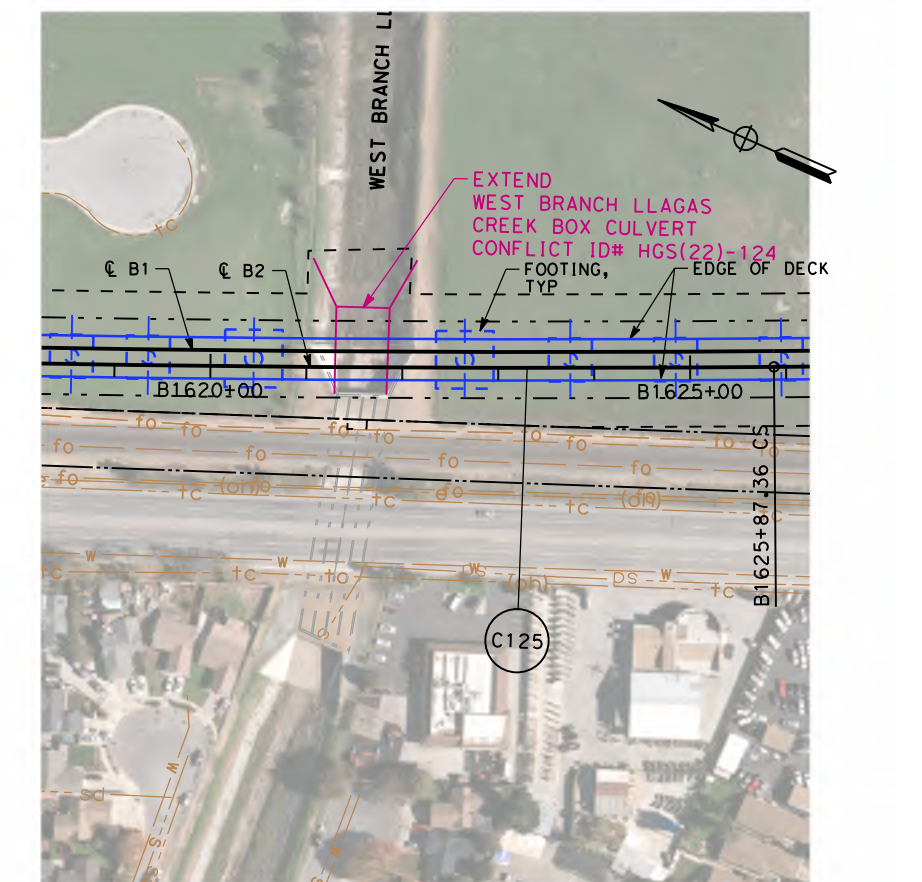
PLAN - SB 101 OFF-RAMP TO TENNANT AVENUE
SCALE: 1"=200' HOR



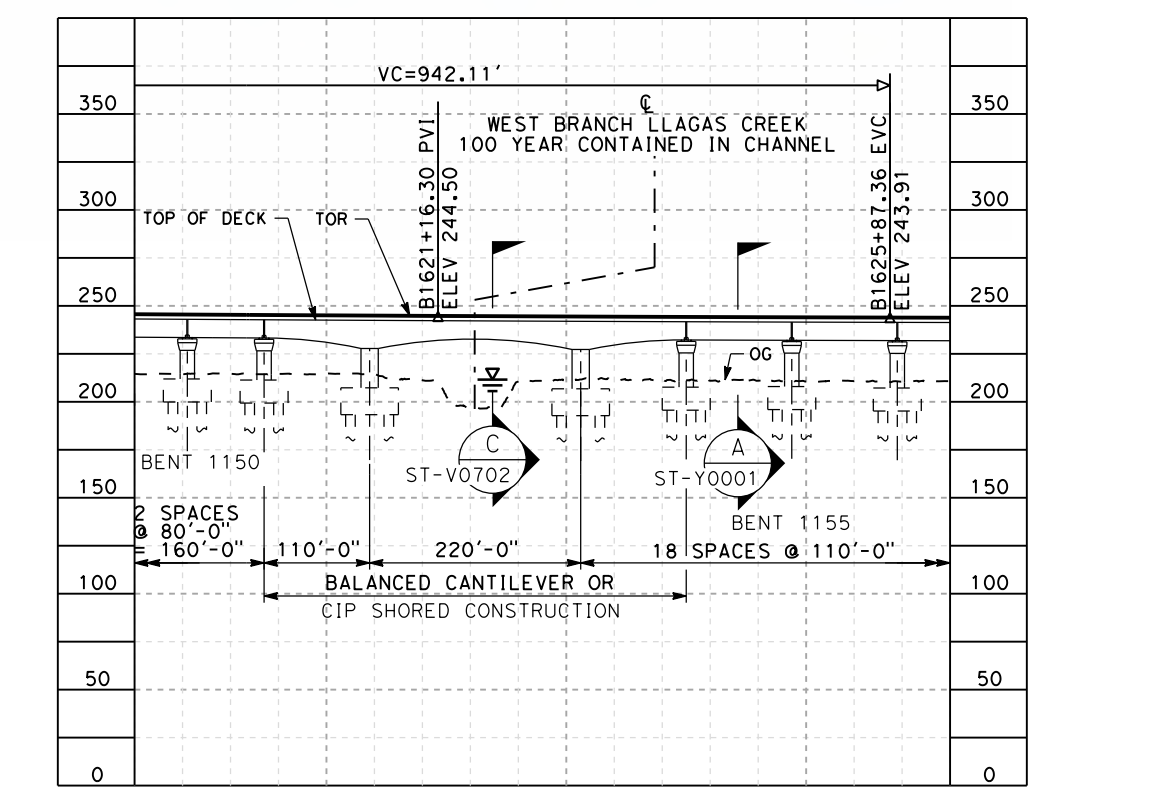
PROFILE - SB 101 OFF-RAMP TO TENNANT AVENUE
SCALE: 1"=200' HOR, 1"=100' VERT



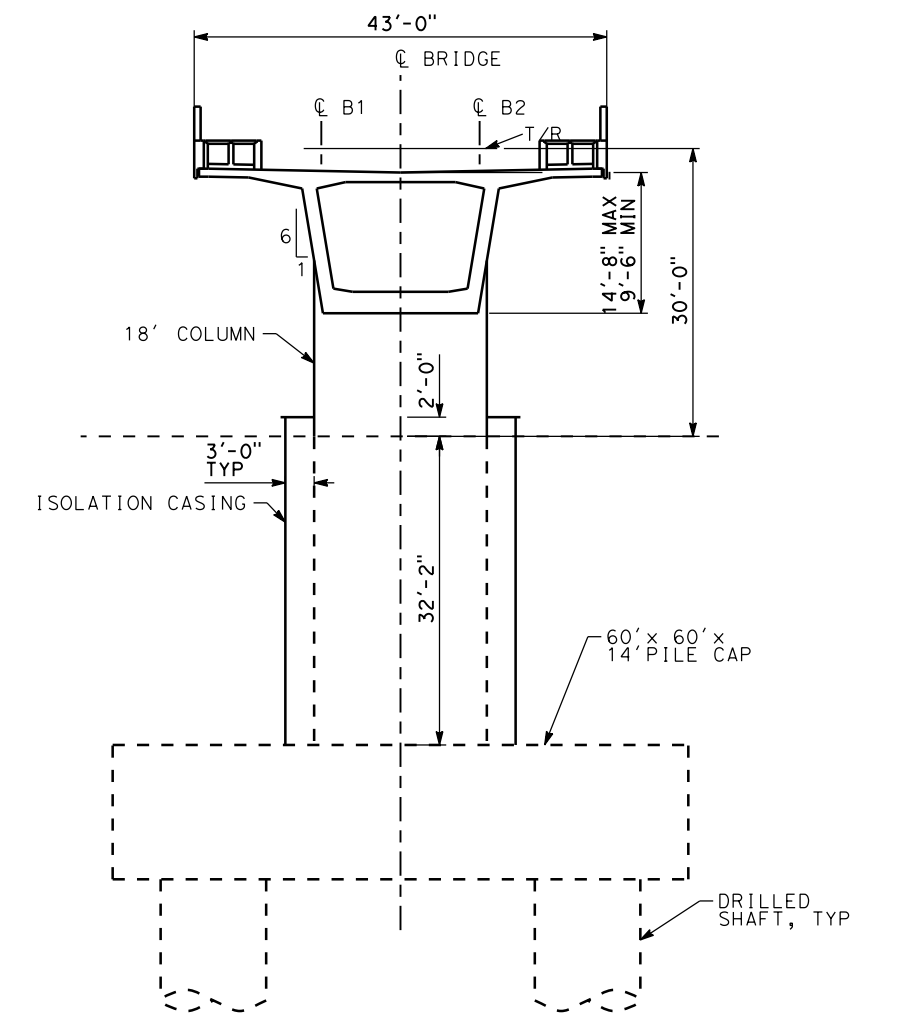
SECTION
SCALE 1"=20'-0"



PLAN - LLAGAS CREEK
SCALE: 1"=200' HOR



PROFILE - LLAGAS CREEK
SCALE: 1"=200' HOR, 1"=100' VERT



SECTION
SCALE 1"=20'-0"

RECORD PERP SUBMITTAL
MAY 3, 2019
NOT FOR CONSTRUCTION



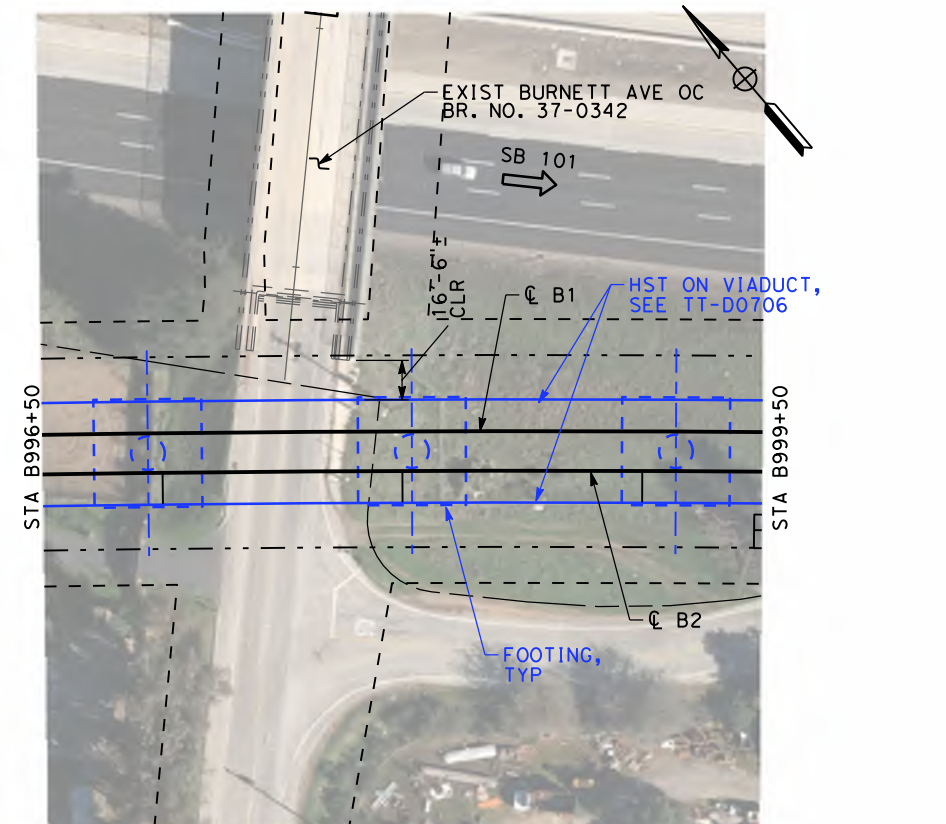
1111 Broadway
9th Floor
Oakland, CA 94607



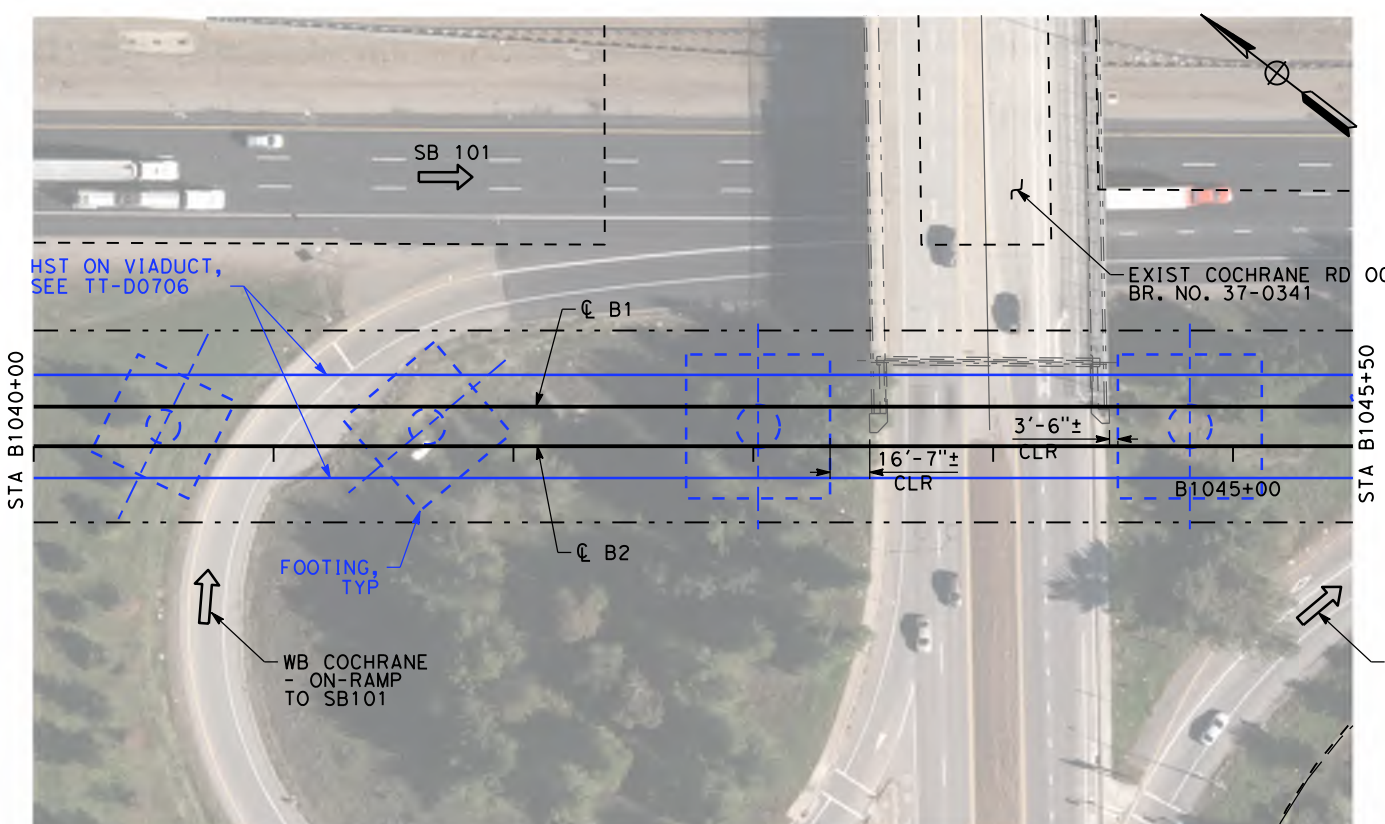
CALIFORNIA HIGH-SPEED TRAIN PROJECT
SAN JOSE TO MERCED
MORGAN HILL AND GILROY VIADUCT TO DOWNTOWN GILROY
COMPLEX STRUCTURES
GENERAL PLAN 2 OF 2

CONTRACT NO. HSR15-34
DRAWING NO. ST-V0702
SCALE: AS SHOWN
SHEET NO.

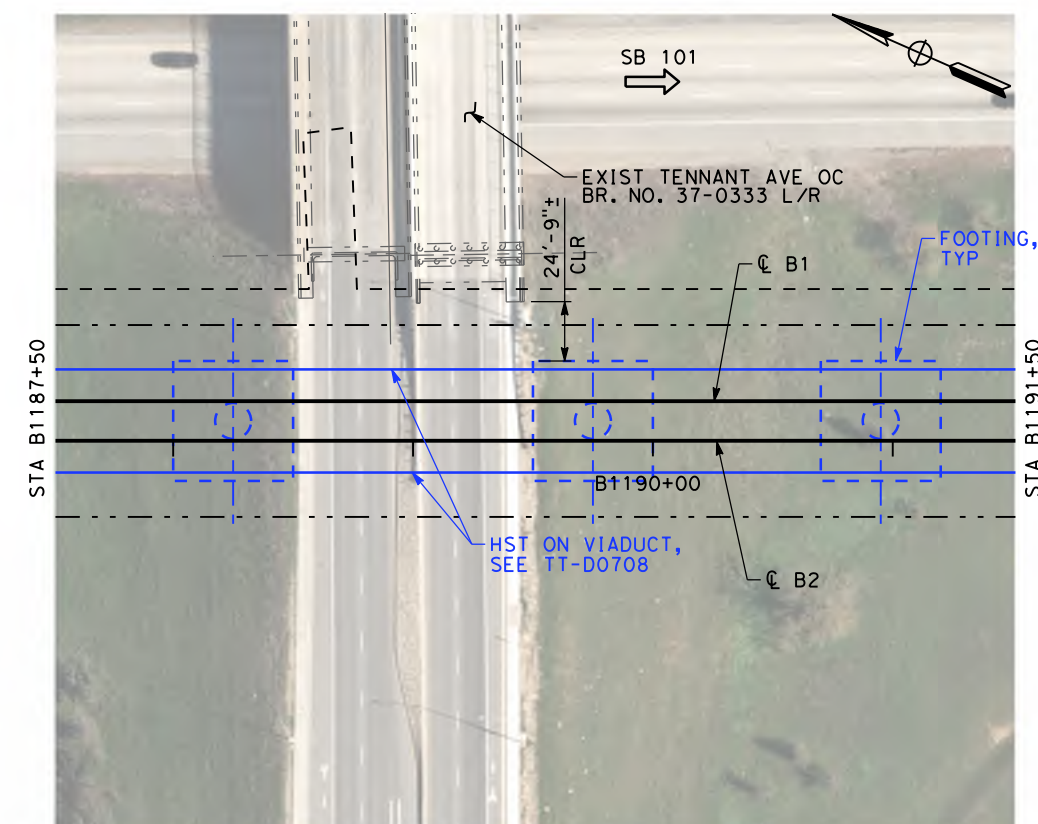
**SAN JOSE TO CVY EIR/S: VOLUME III
ALTERNATIVE 3
BOOK 3C
SHEET 86 OF 216**



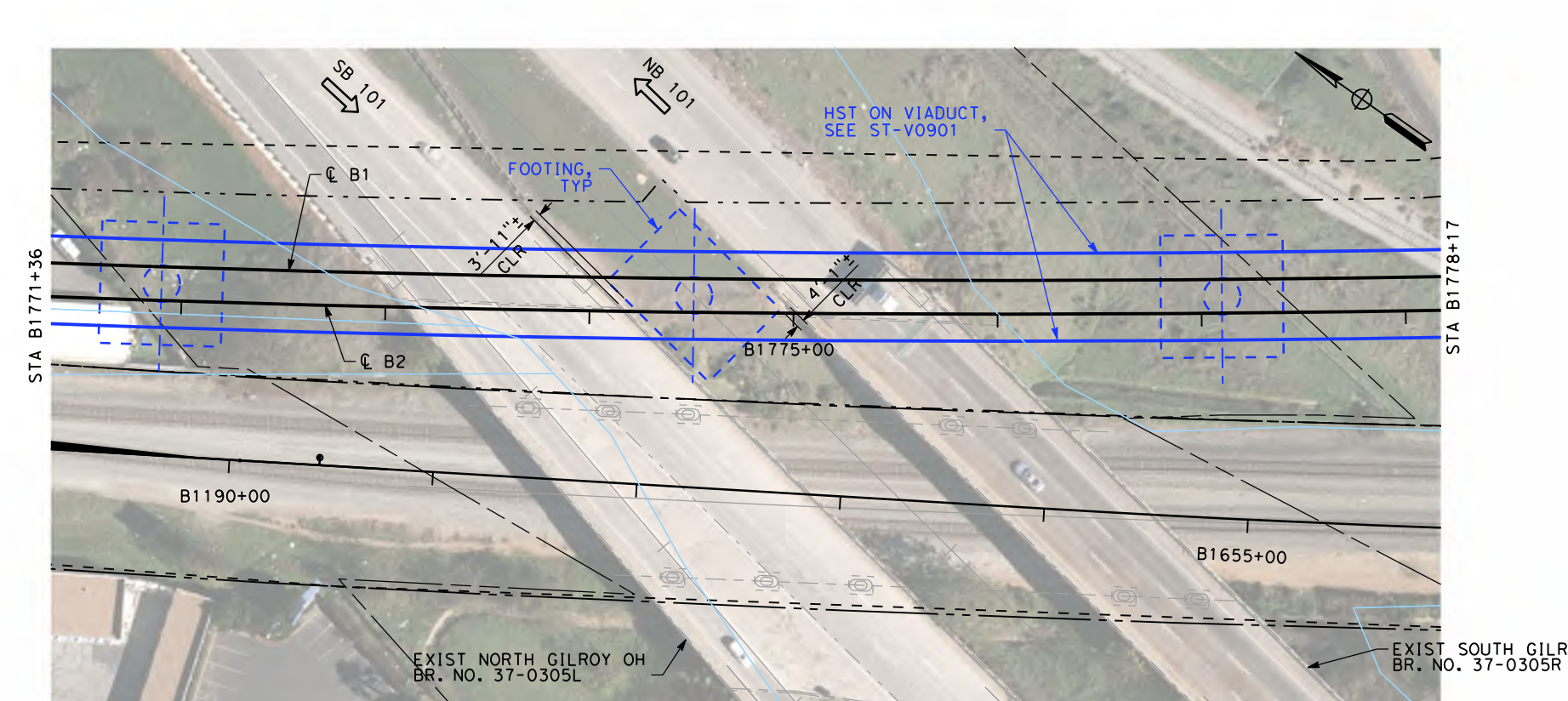
PLAN - BURNETT AVENUE OC
SCALE: 1"=80'



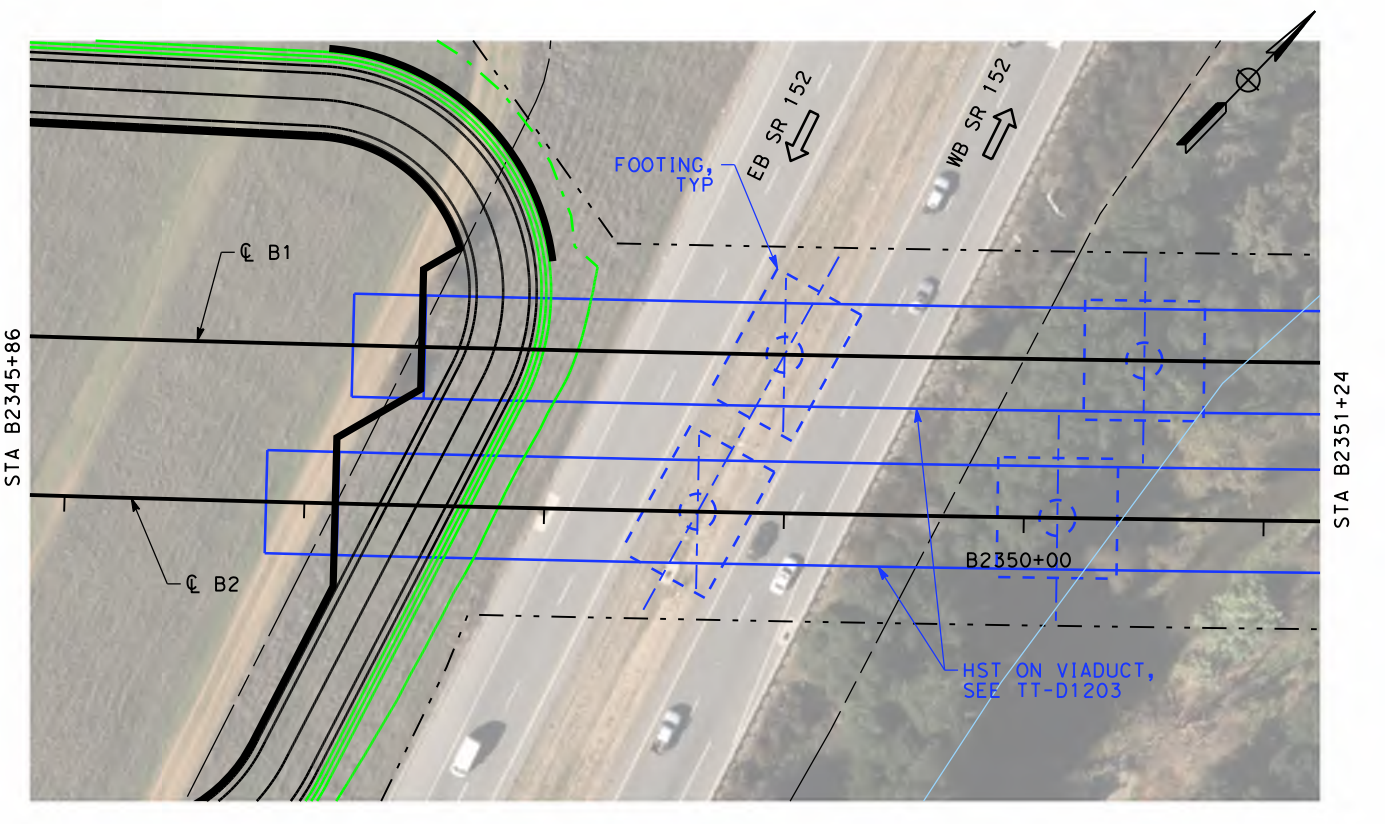
PLAN - COCHRANE ROAD OC
SCALE: 1"=80'



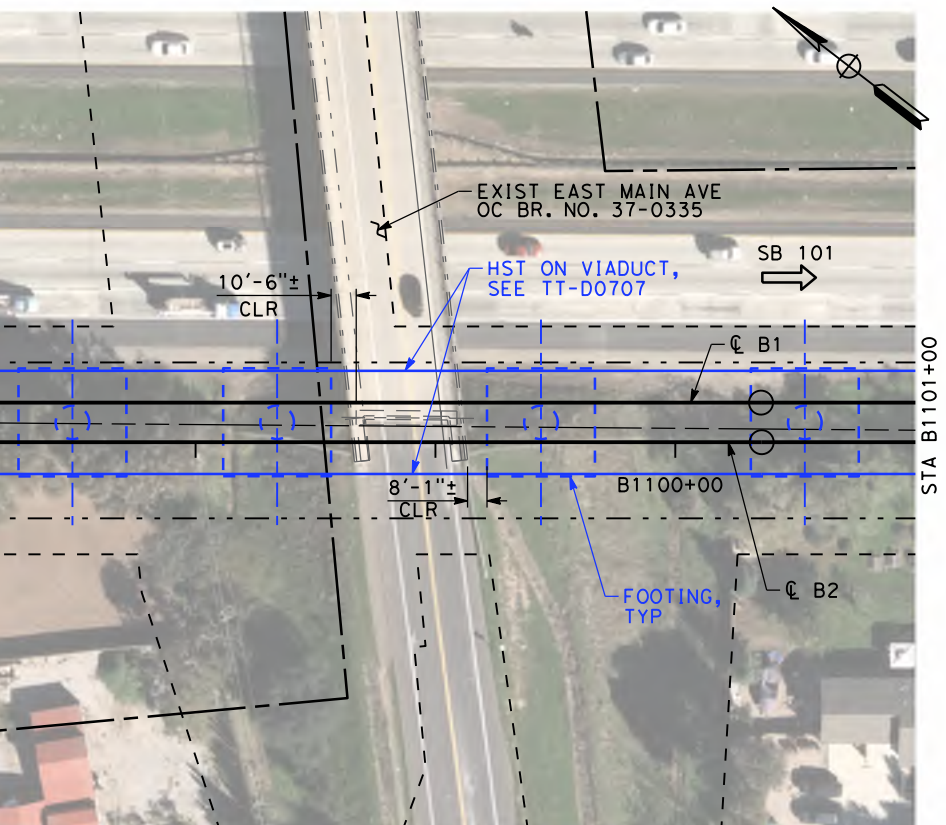
PLAN - TENNANT AVENUE OC
SCALE: 1"=80'



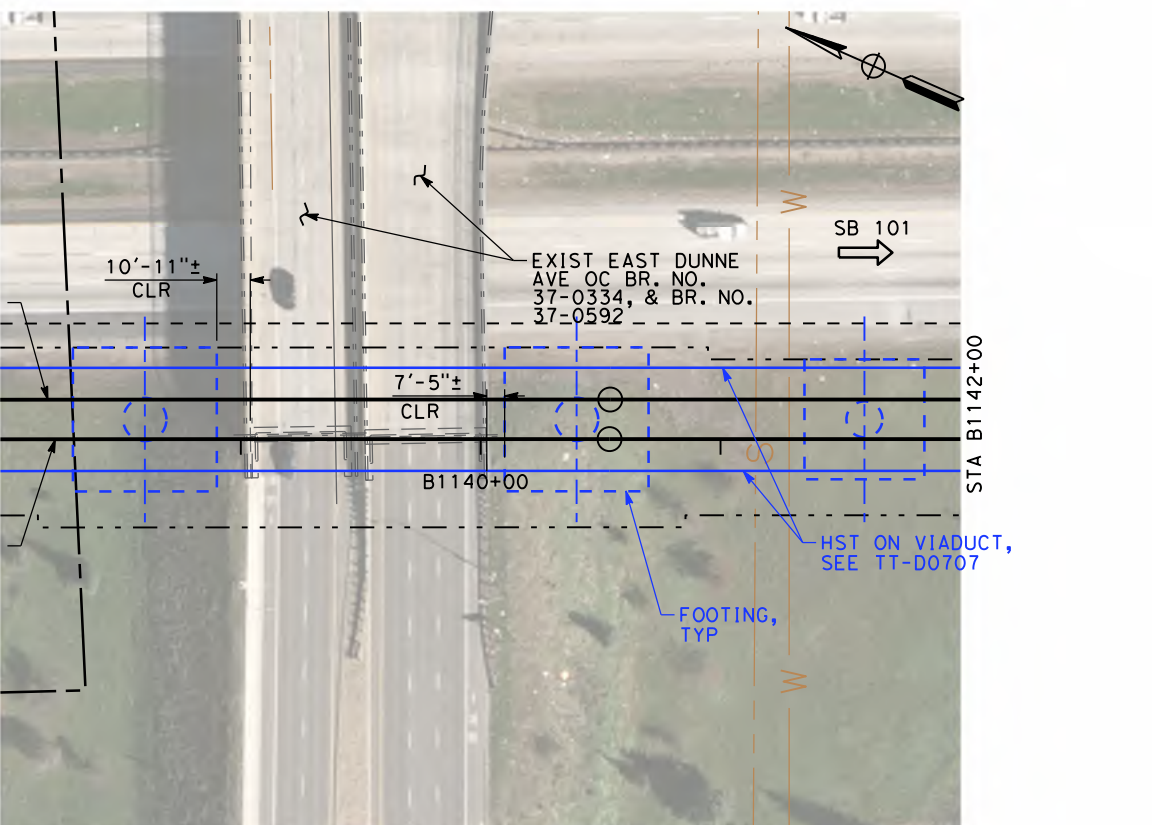
PLAN - US 101
SCALE: 1"=80'



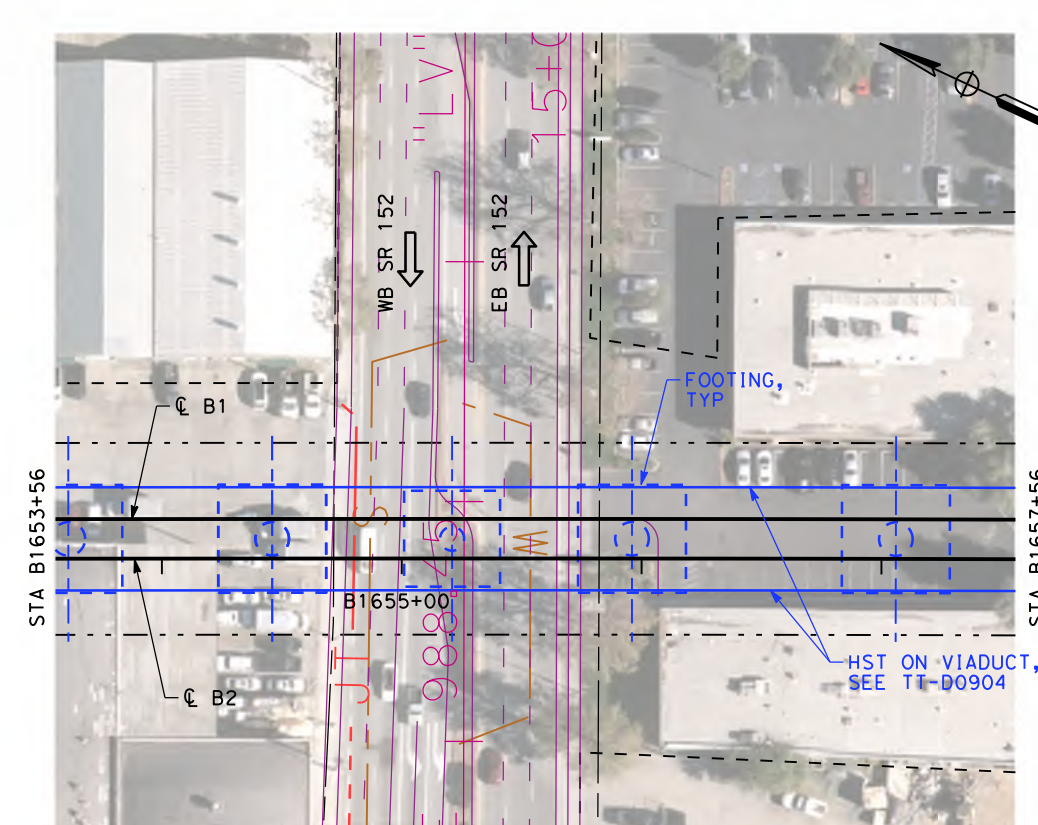
PLAN - PACHECO PASS ROAD (SR-152)/CASA DE FRUTA
SCALE: 1"=80'



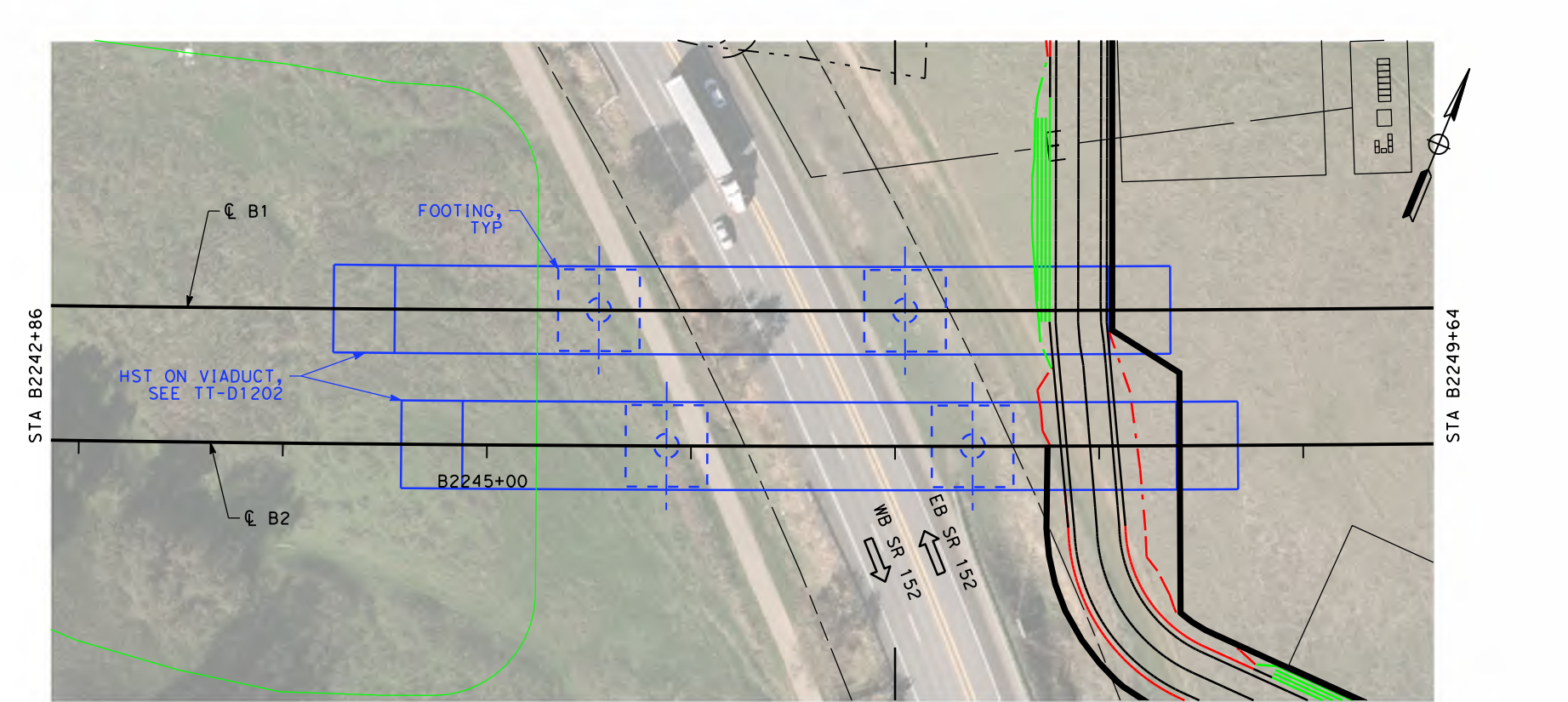
PLAN - EAST MAIN AVENUE OC
SCALE: 1"=80'



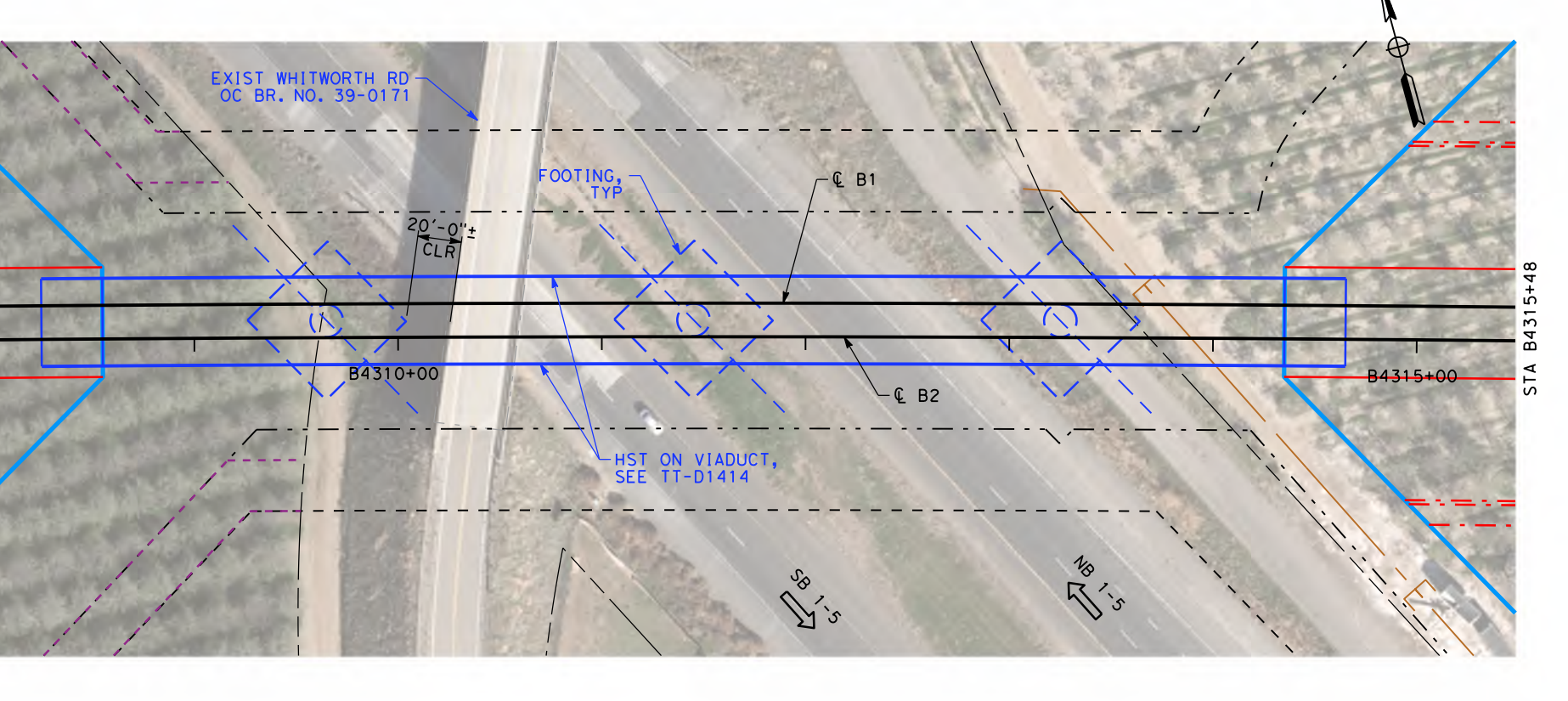
PLAN - EAST DUNNE AVENUE OC
SCALE: 1"=80'



PLAN - LEAVESLEY ROAD (SR 152)
SCALE: 1"=80'



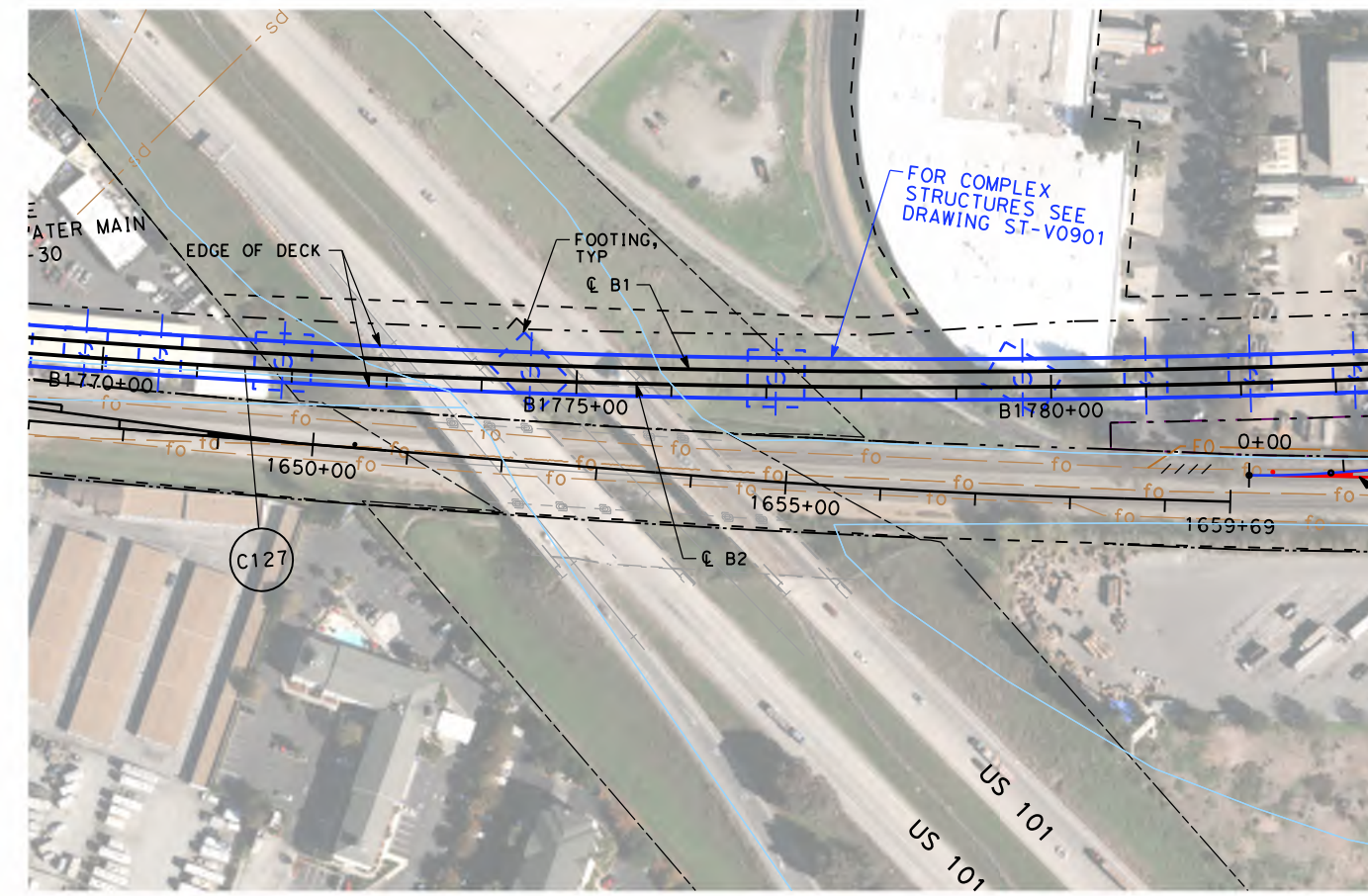
PLAN - PACHECO PASS ROAD (SR 152)/SAN FELIPE
SCALE: 1"=80'



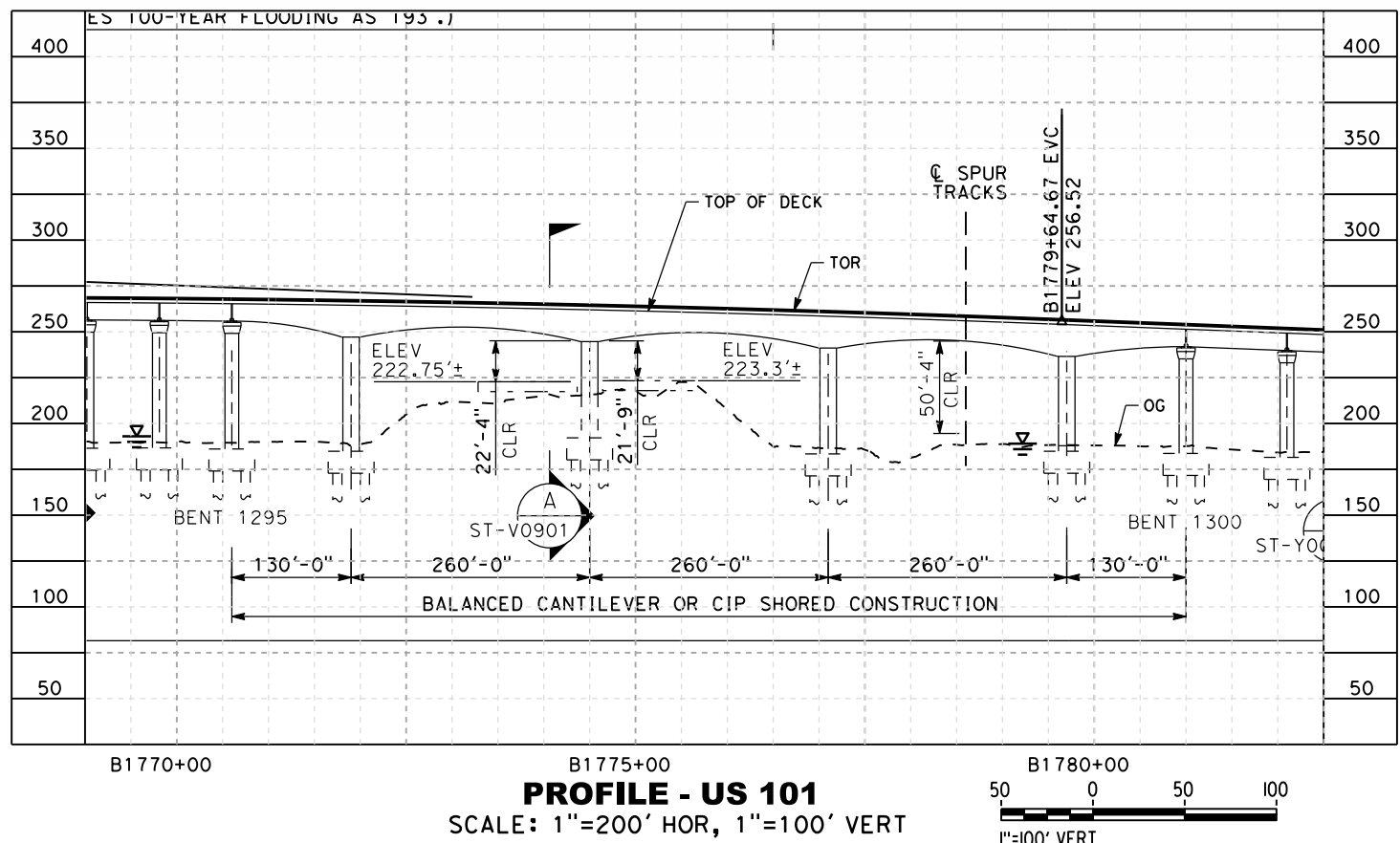
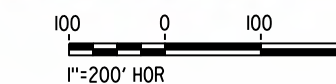
PLAN - I-5
SCALE: 1"=80'

SAN JOSE TO CVY EIR/S: VOLUME III
ALTERNATIVE 3
BOOK 3C
SHEET 87 OF 216

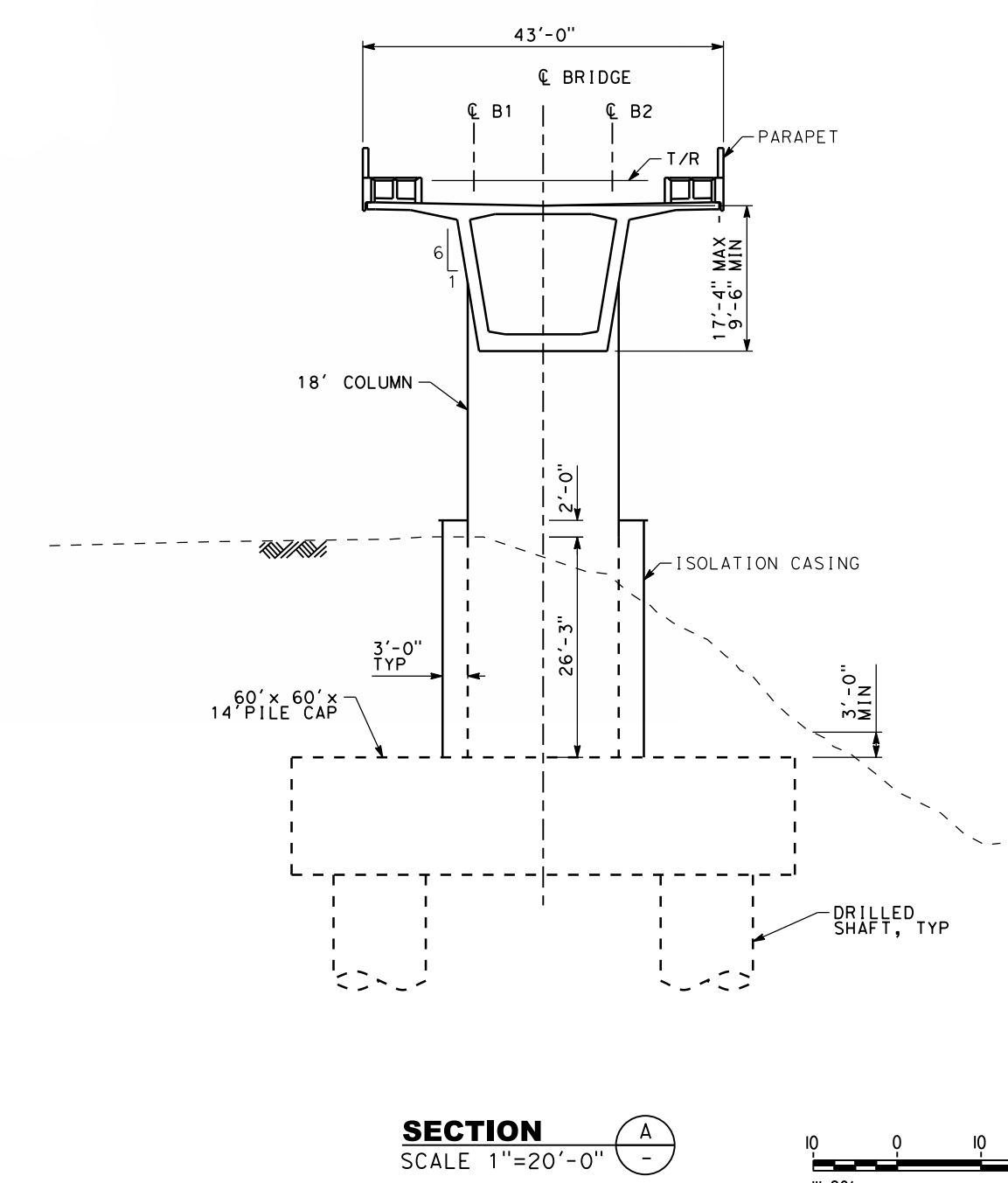
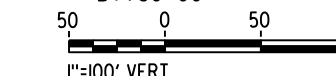
RECORD PERM SUBMITTAL MAY 3, 2019 NOT FOR CONSTRUCTION	HNTB 1111 Broadway 9th Floor Oakland, CA 94607	CALIFORNIA High-Speed Rail Authority	CALIFORNIA HIGH-SPEED TRAIN PROJECT SAN JOSE TO MERCED MORGAN HILL AND GILROY VIADUCT TO DOWNTOWN GILROY CALTRANS STRUCTURES GENERAL PLAN	CONTRACT NO. HSR15-34 DRAWING NO. ST-T0701 SCALE AS SHOWN SHEET NO.
---	--	--	--	---



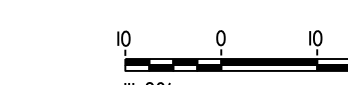
PLAN - US 101
SCALE: 1"=200'



PROFILE - US 101
SCALE: 1"=200' HOR, 1"=100' VERT

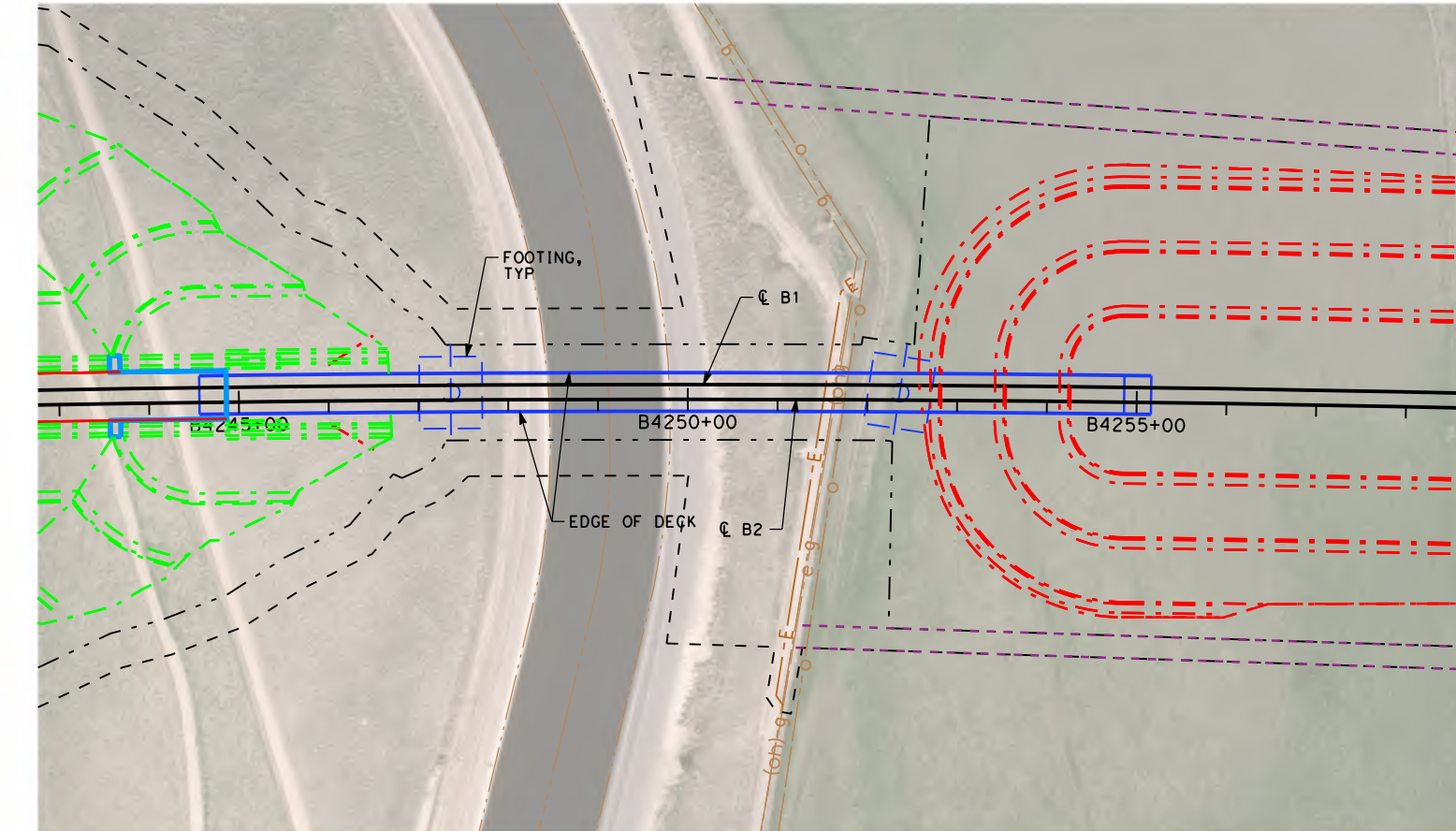


SECTION
SCALE 1"=20'-0"

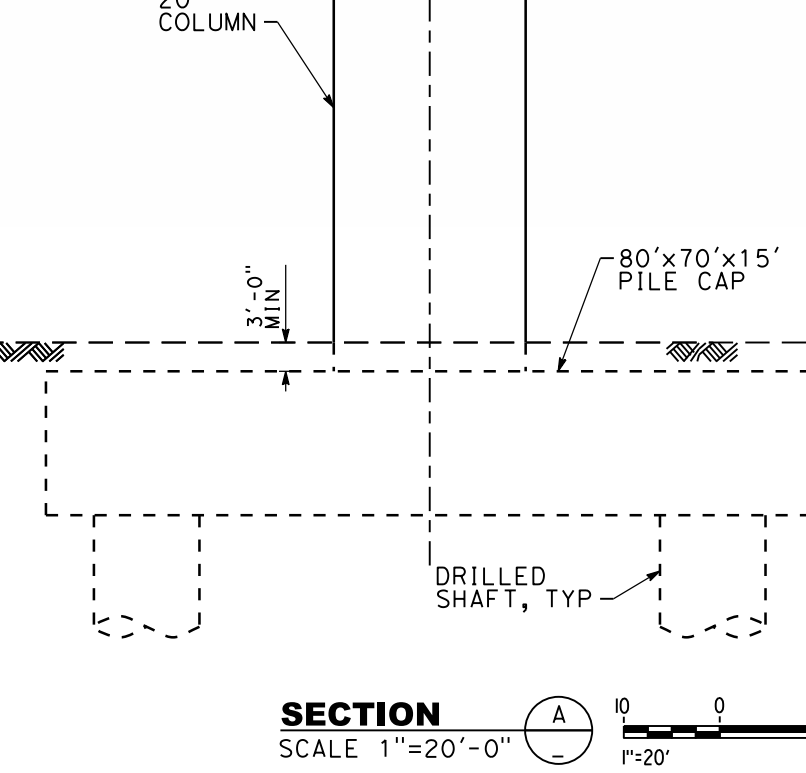


SAN JOSE TO CVY EIR/S: VOLUME III
ALTERNATIVE 3
BOOK 3C
SHEET 88 OF 216

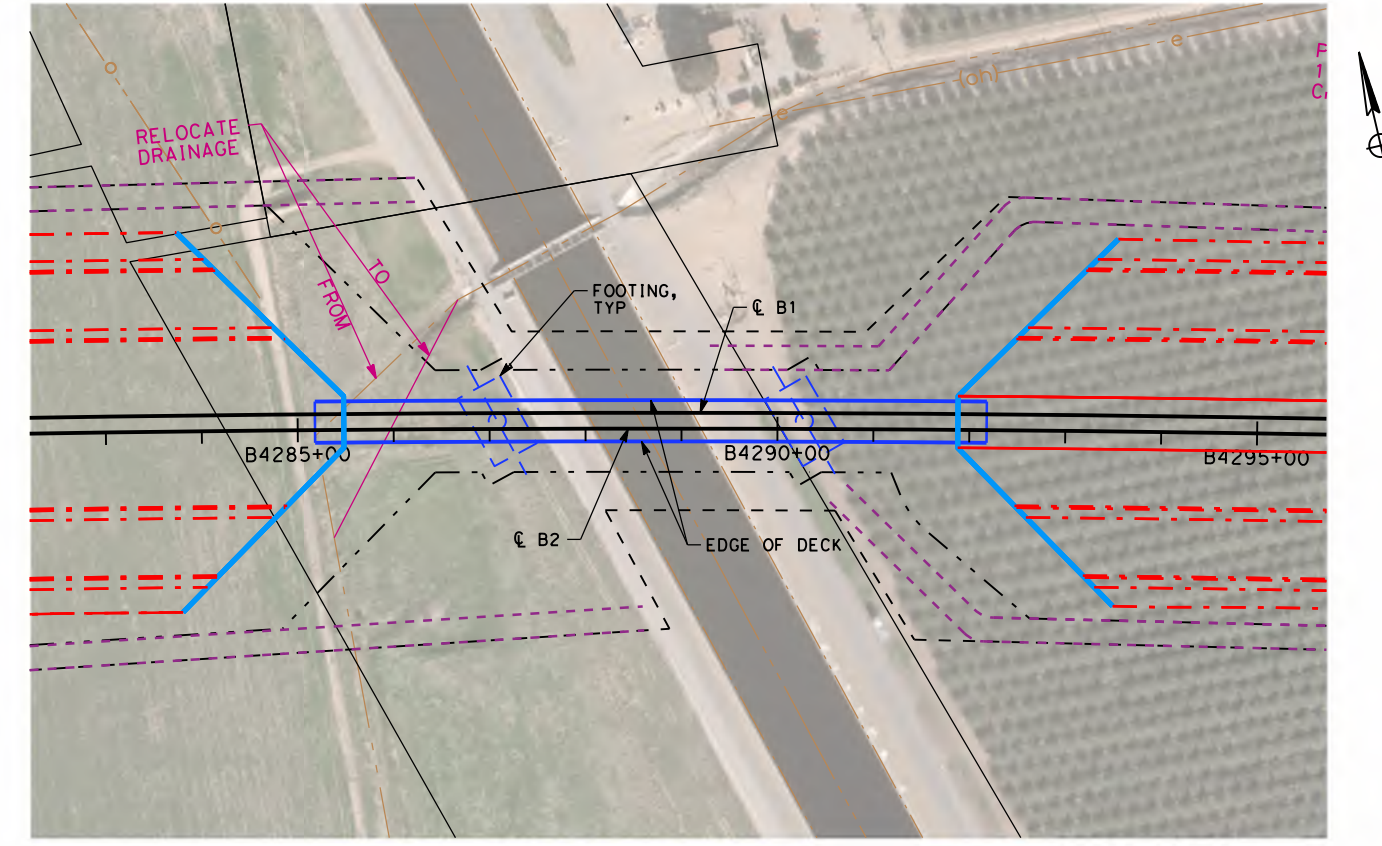
RECORD PERM SUBMITTAL MAY 3, 2019 NOT FOR CONSTRUCTION	HNTB 1111 Broadway 9th Floor Oakland, CA 94607		CALIFORNIA HIGH-SPEED TRAIN PROJECT SAN JOSE TO MERCED MORGAN HILL AND GILROY VIADUCT TO DOWNTOWN GILROY COMPLEX STRUCTURES GENERAL PLAN	CONTRACT NO. HSR15-35 DRAWING NO. ST-V0901 SCALE AS SHOWN SHEET NO.
---	--	--	--	---



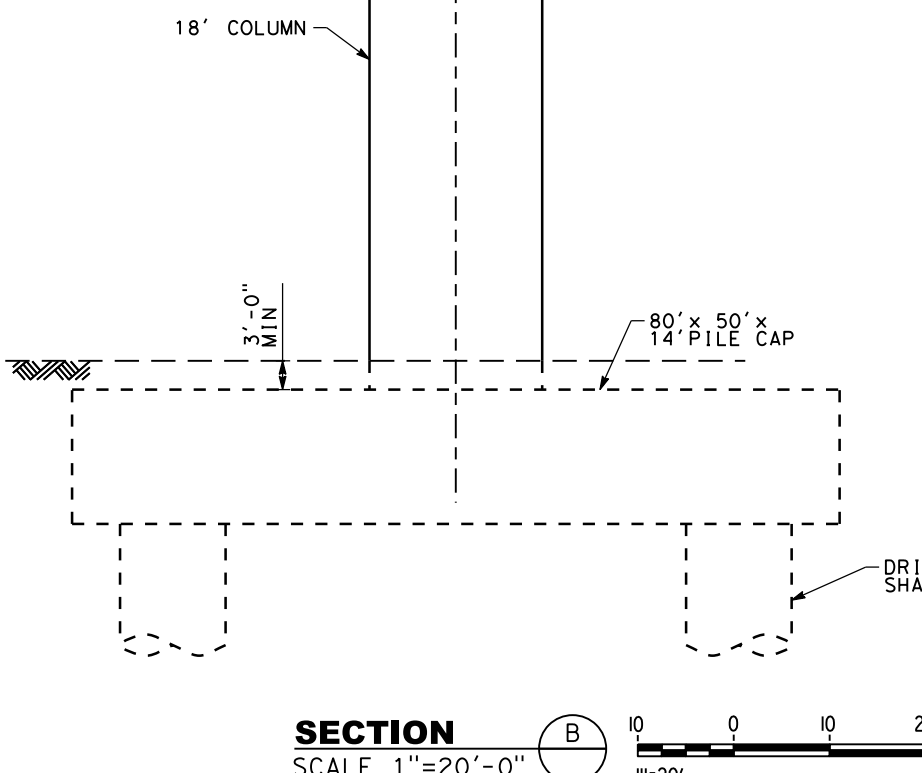
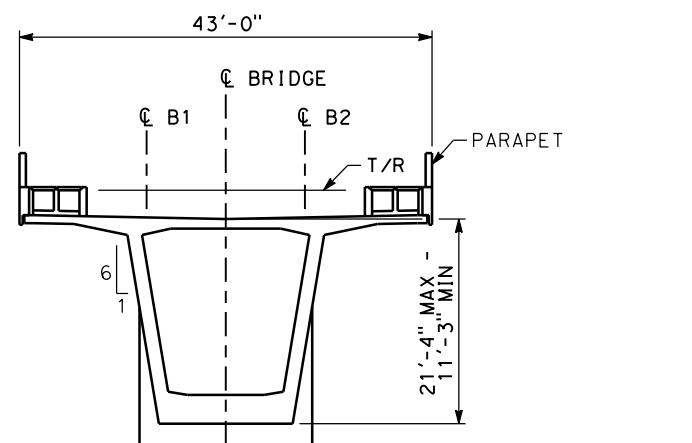
PLAN - CALIFORNIA AQUEDUCT
SCALE: 1"=200'



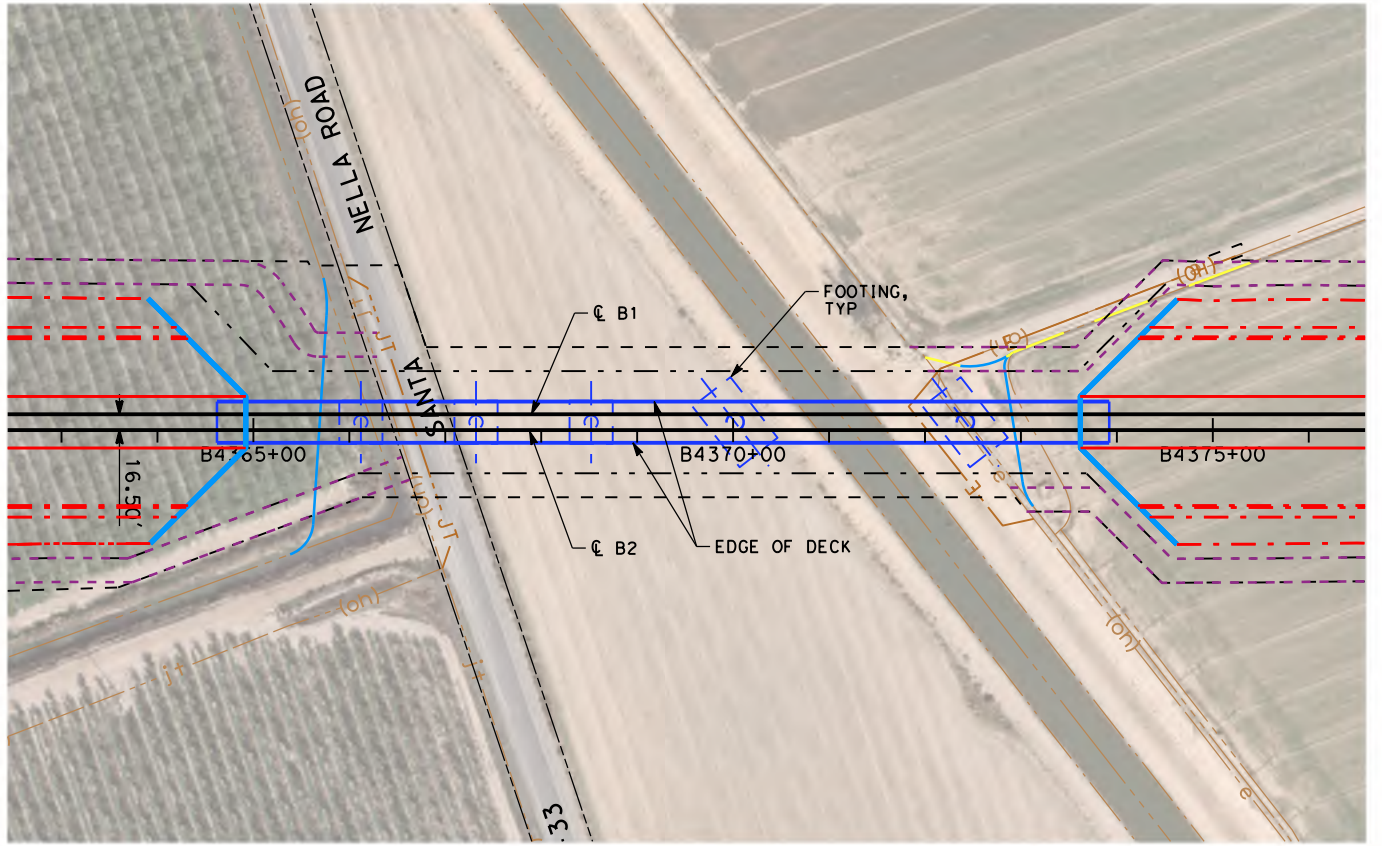
PROFILE - CALIFORNIA AQUEDUCT
SCALE: 1"=200' HOR, 1"=100' VERT



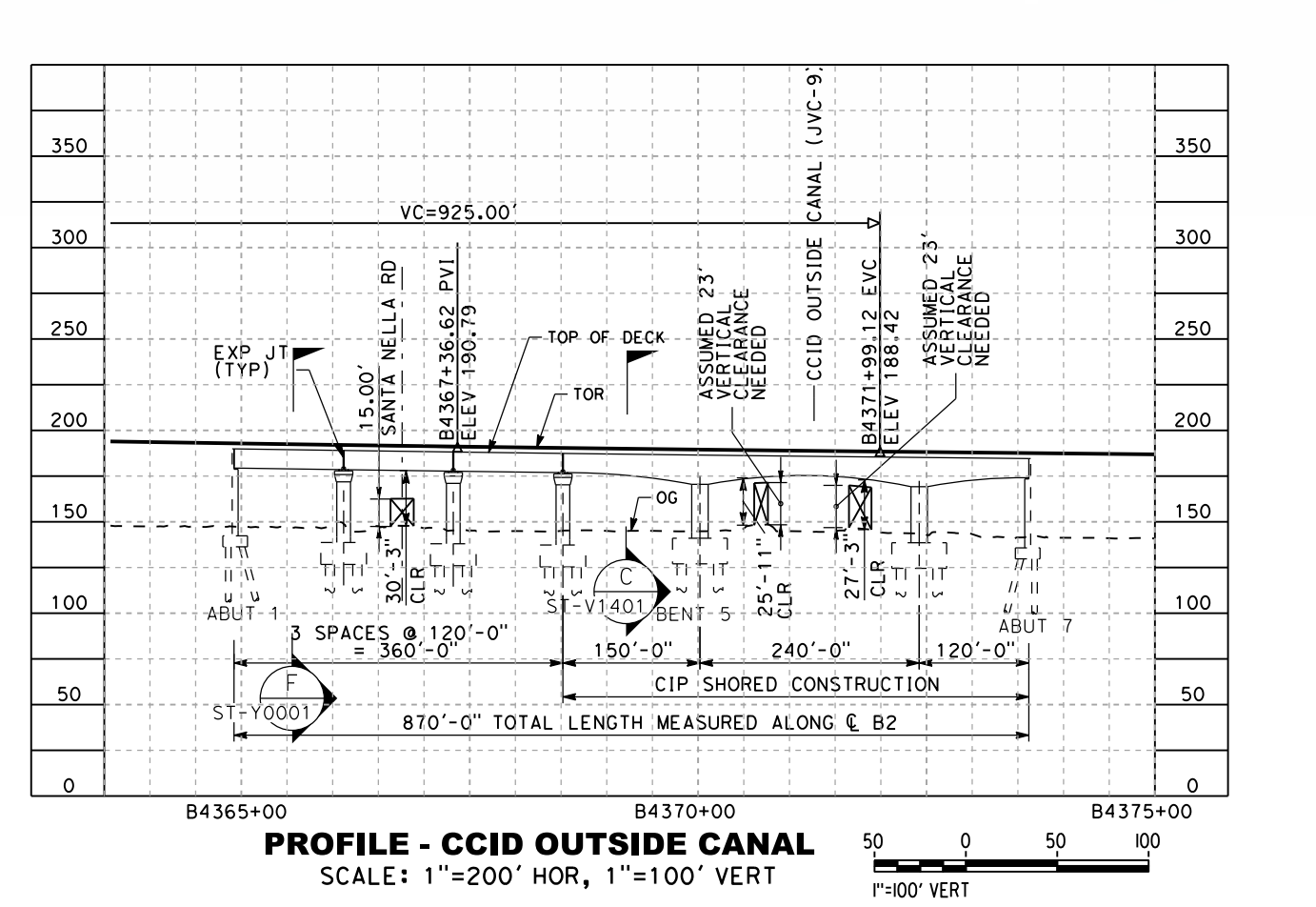
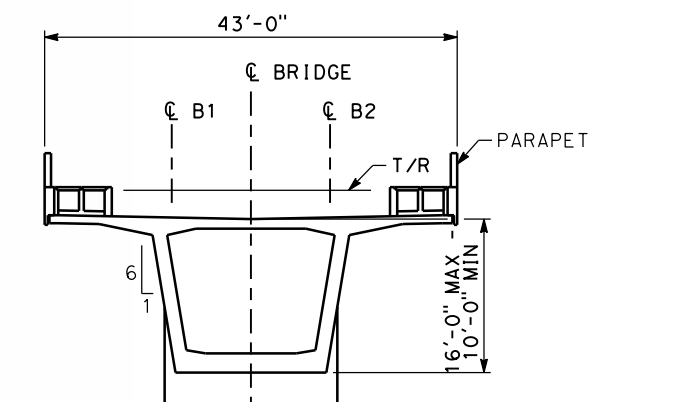
PLAN - DELTA MENDOTA
SCALE: 1"=200'



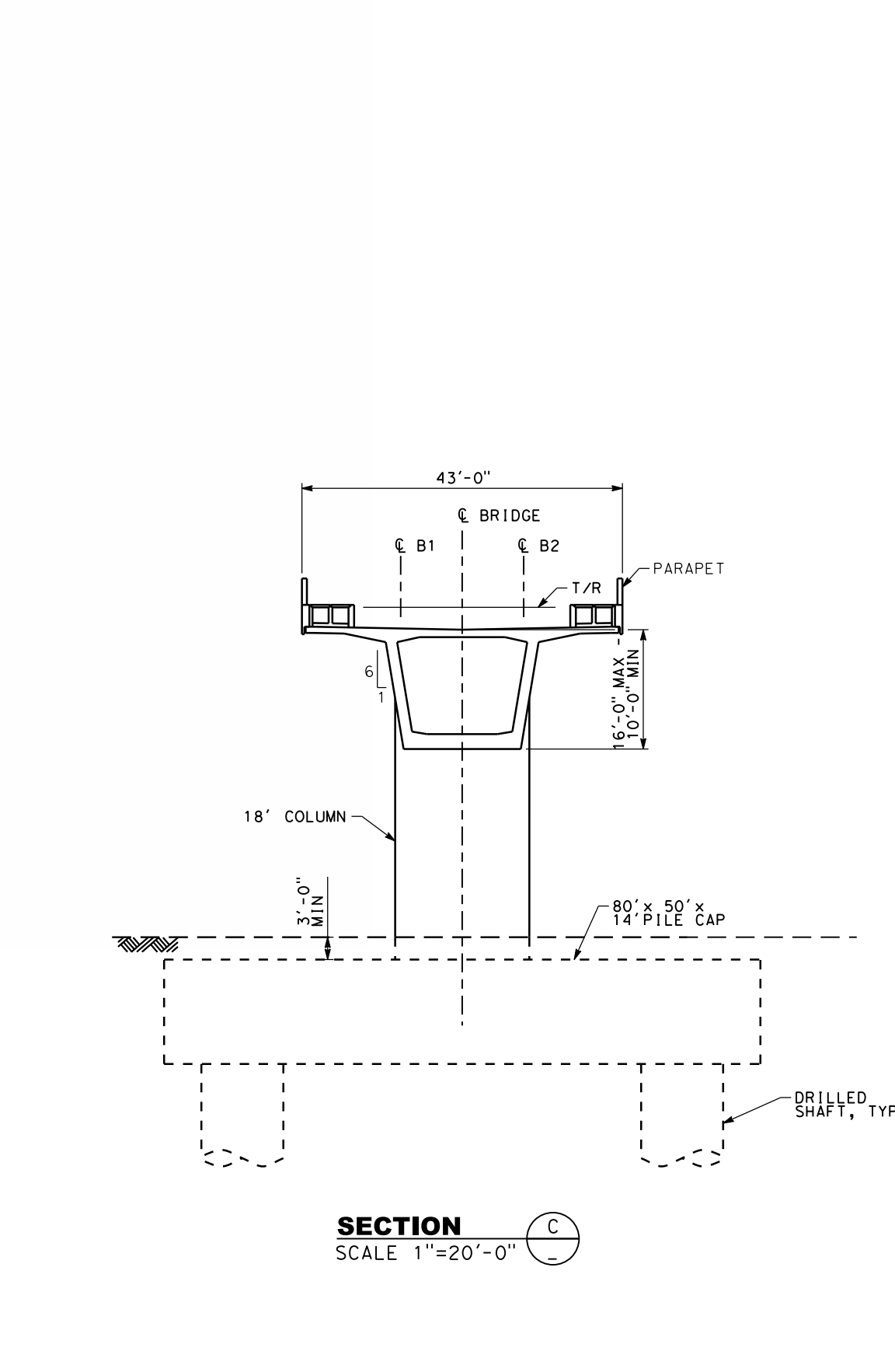
PROFILE - DELTA MENDOTA
SCALE: 1"=200' HOR, 1"=100' VERT



PLAN - CCID OUTSIDE CANAL
SCALE: 1"=200'



PROFILE - CCID OUTSIDE CANAL
SCALE: 1"=200' HOR, 1"=100' VERT

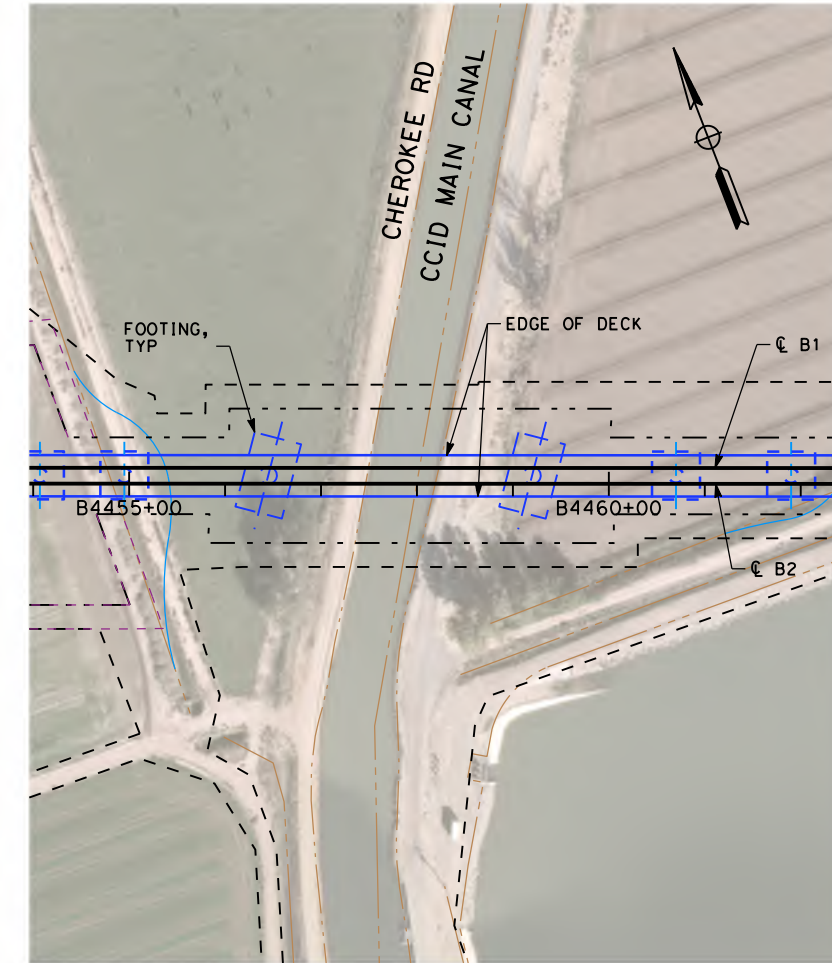


SECTION
SCALE 1"=20'-0"

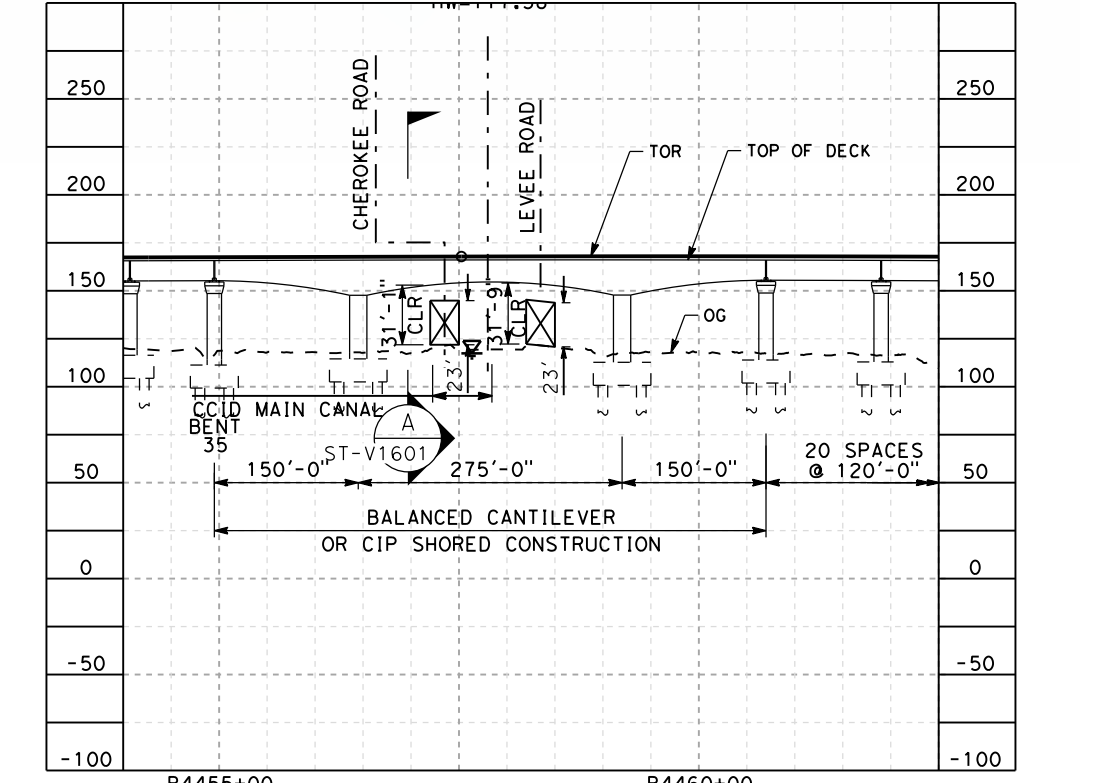
NOTE:
1. REFER TO GENERAL NOTES SHEETS GE-B0001 AND GE-B0002 FOR NOTES.

SAN JOSE TO CVY EIR/S: VOLUME III
ALTERNATIVE 3
BOOK 3C
SHEET 90 OF 216

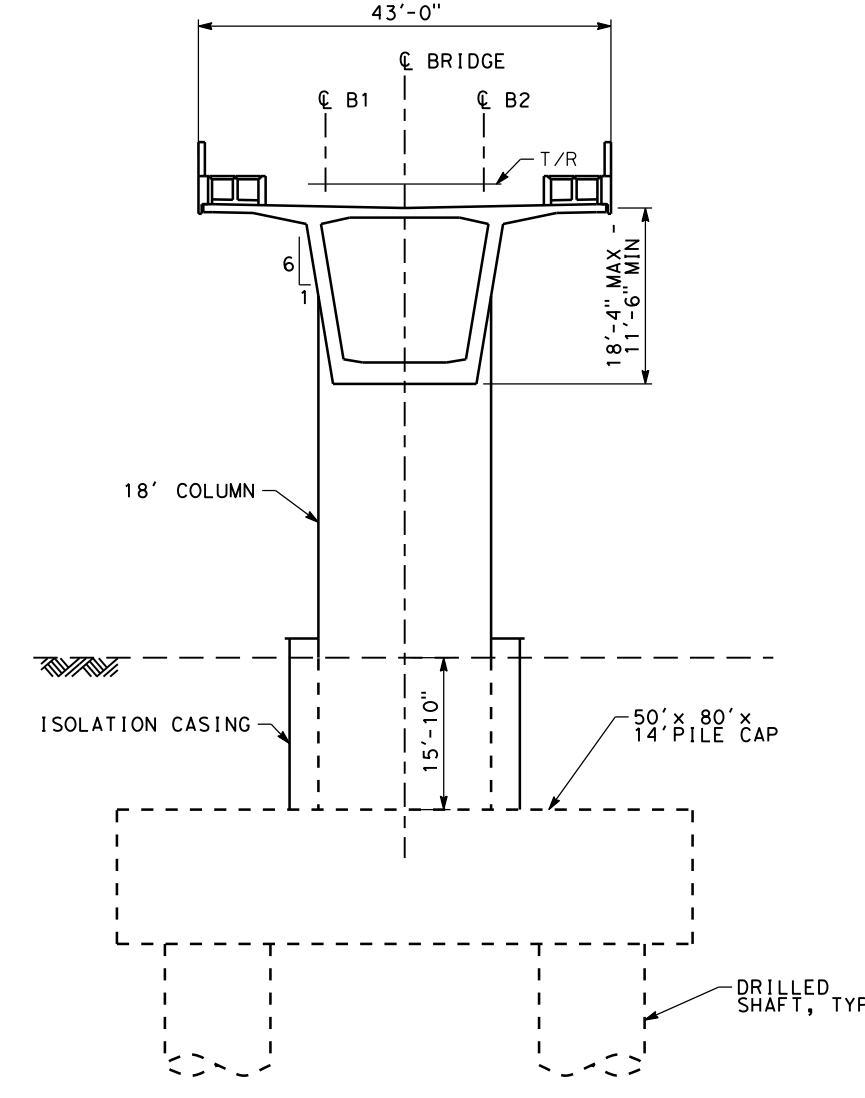
RECORD PERM SUBMITTAL MAY 3, 2019 NOT FOR CONSTRUCTION		1111 Broadway 9th Floor Oakland, CA 94607		CALIFORNIA HIGH-SPEED TRAIN PROJECT SAN JOSE TO MERCED PACHECO PASS TUNNEL COMPLEX STRUCTURES GENERAL PLAN	CONTRACT NO. HSR15-34 DRAWING NO. ST-V1401 SCALE: AS SHOWN SHEET NO.
--	--	---	--	---	---



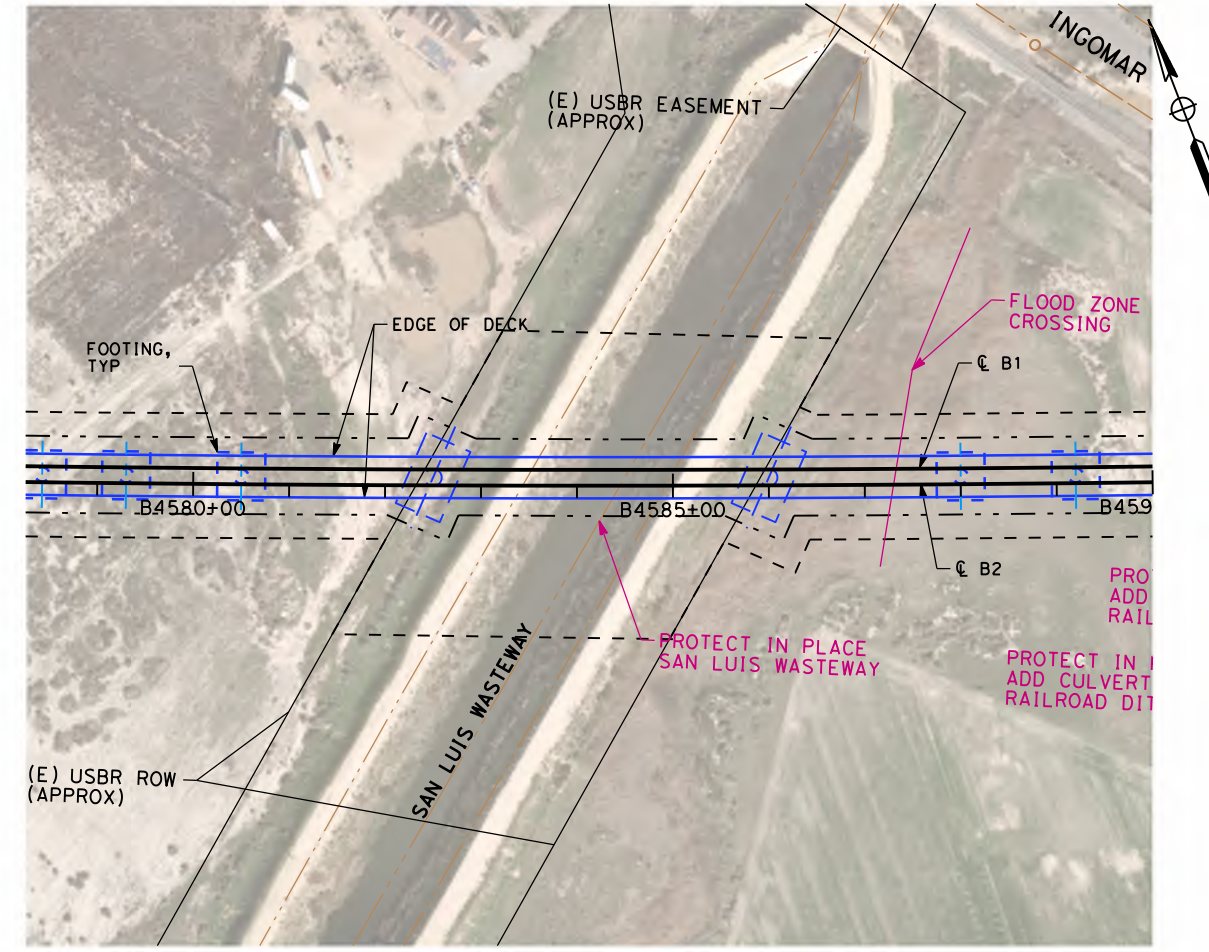
PLAN - CHEROKEE (LEVEE) RD
SCALE: 1"=200'



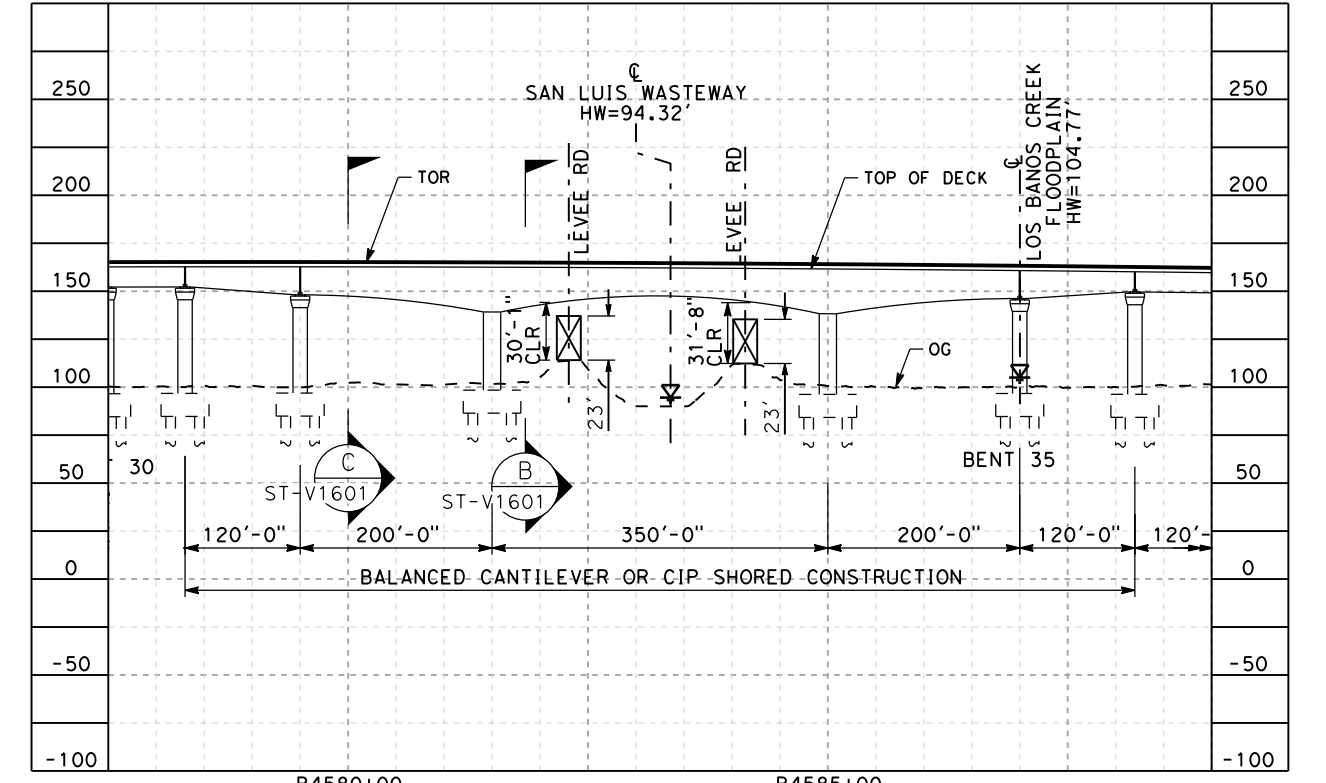
PROFILE - CHEROKEE (LEVEE) RD
SCALE: 1"=200' HOR, 1"=100' VERT



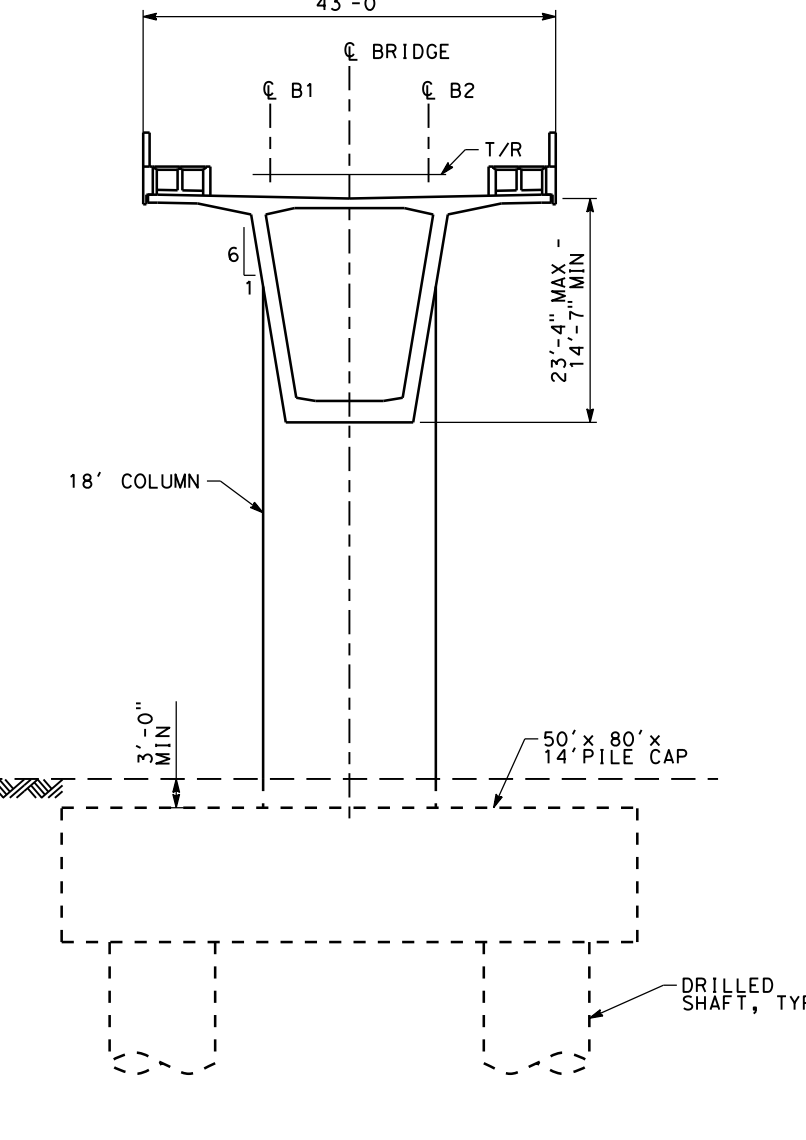
SECTION A-A
SCALE 1"=20'-0"



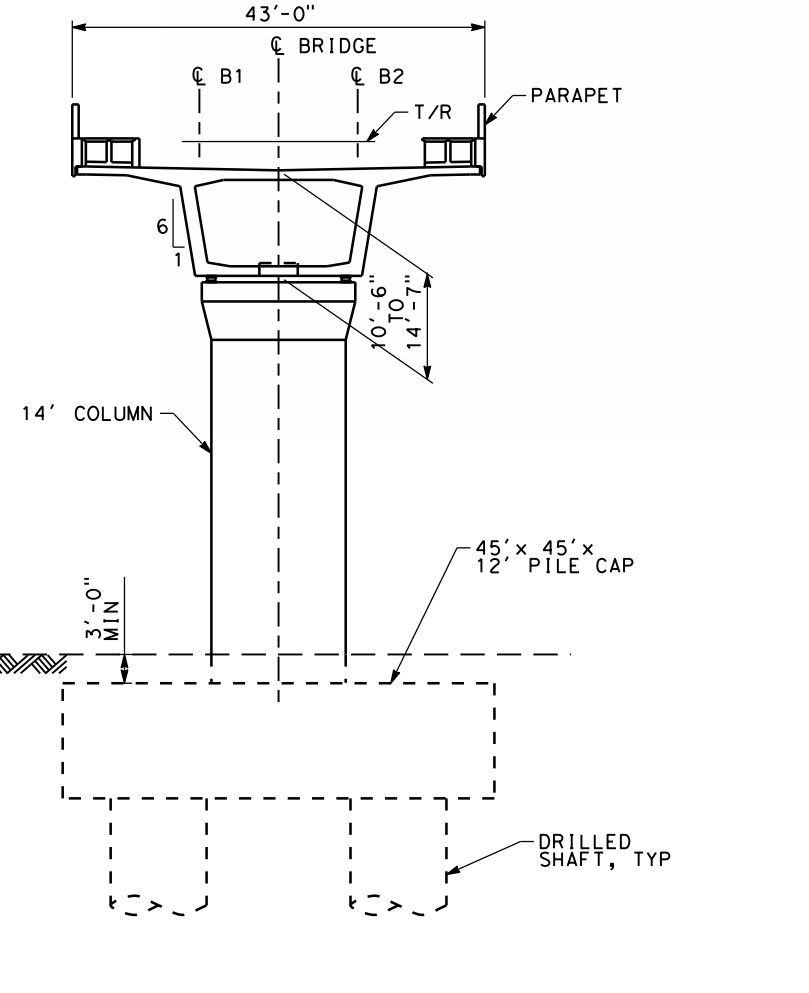
PLAN - SAN LUIS WASTEWAY
SCALE: 1"=200'



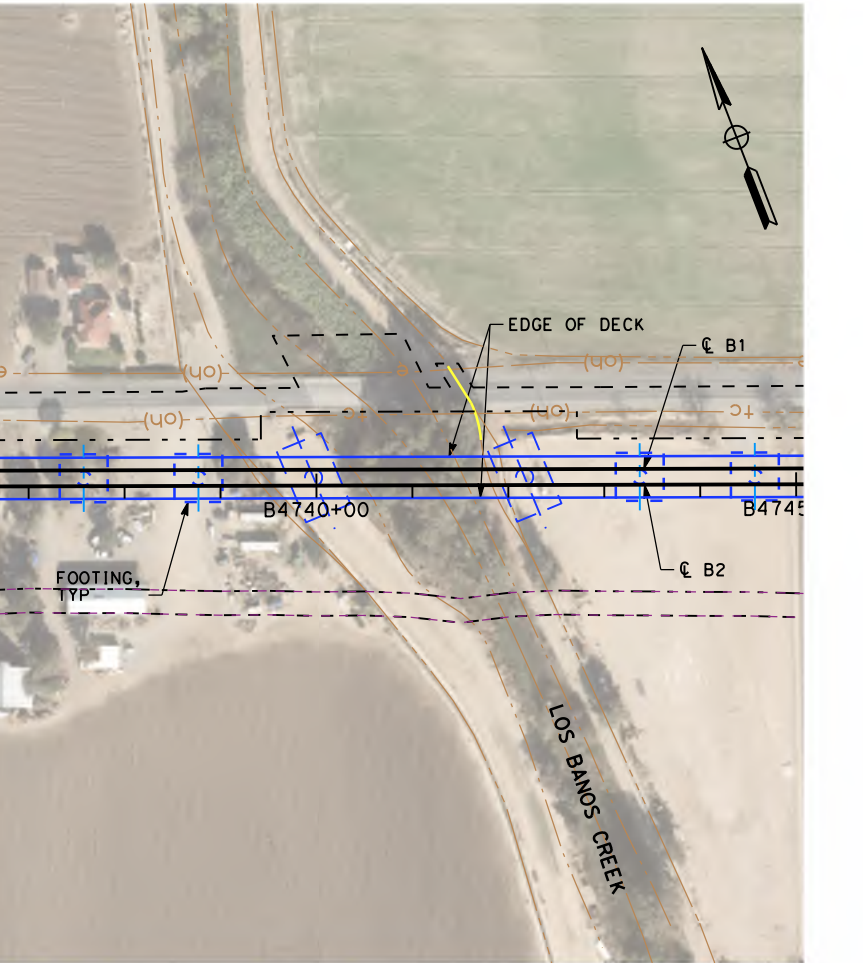
PROFILE - SAN LUIS WASTEWAY
SCALE: 1"=200' HOR, 1"=100' VERT



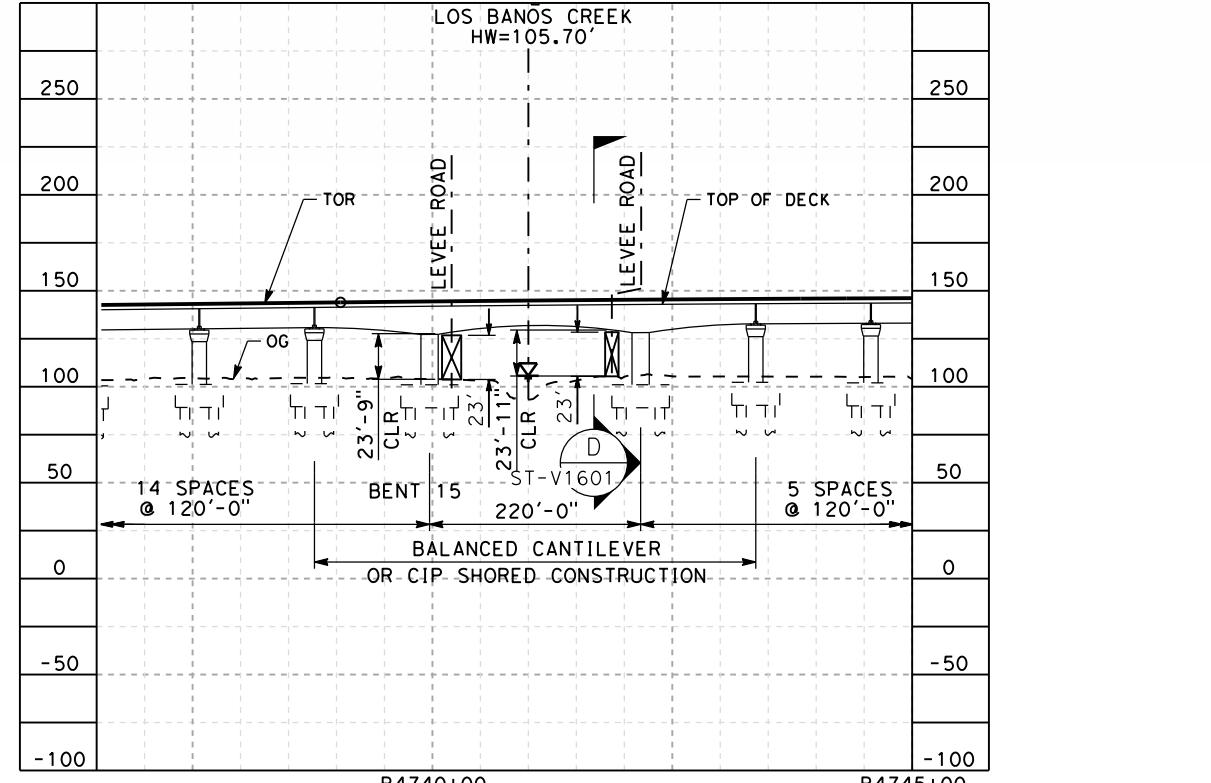
SECTION B-B
SCALE 1"=20'-0"



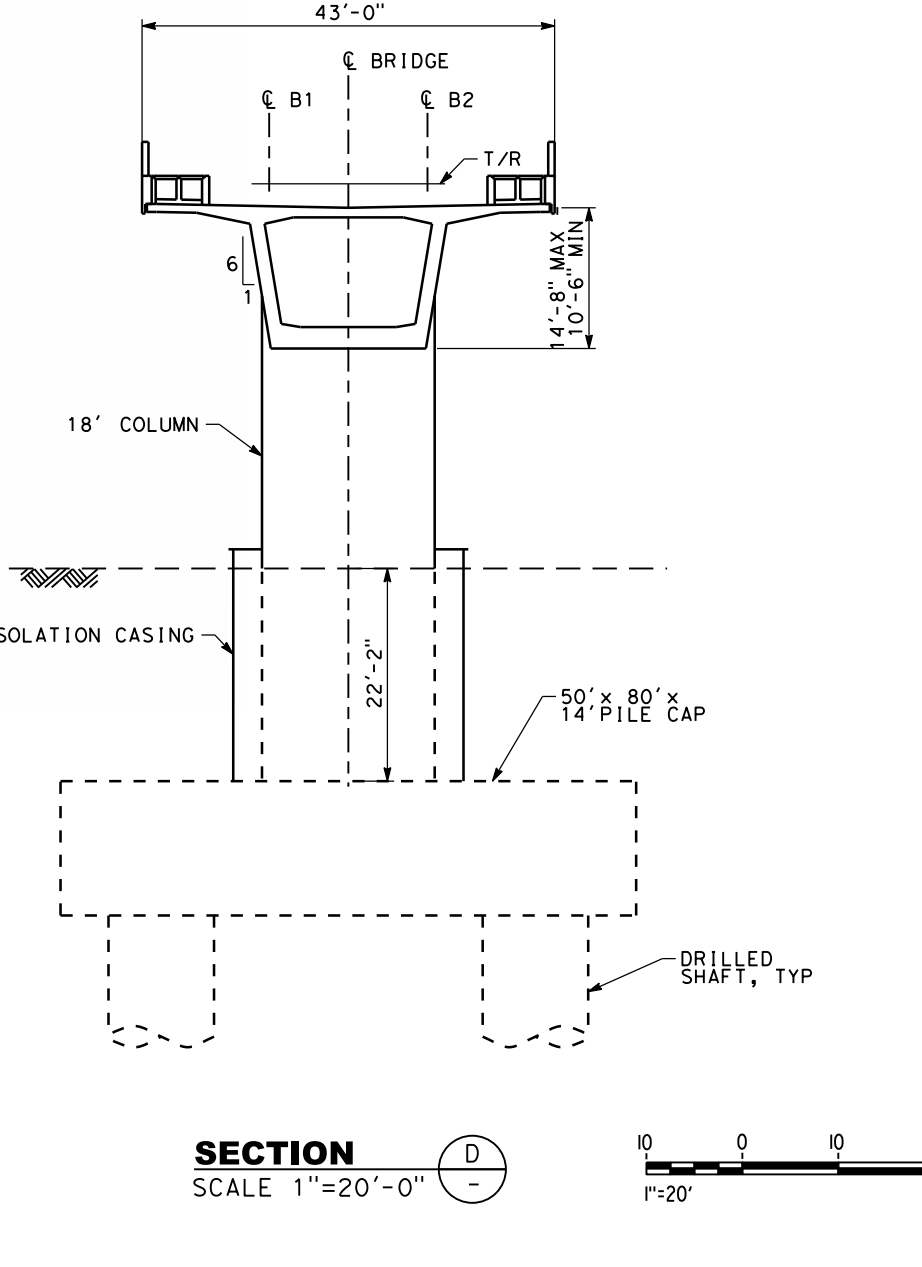
SECTION C-C
SCALE 1"=20'-0"



PLAN - LOS BANOS CREEK
SCALE: 1"=200'



PROFILE - LOS BANOS CREEK
SCALE: 1"=200' HOR, 1"=100' VERT

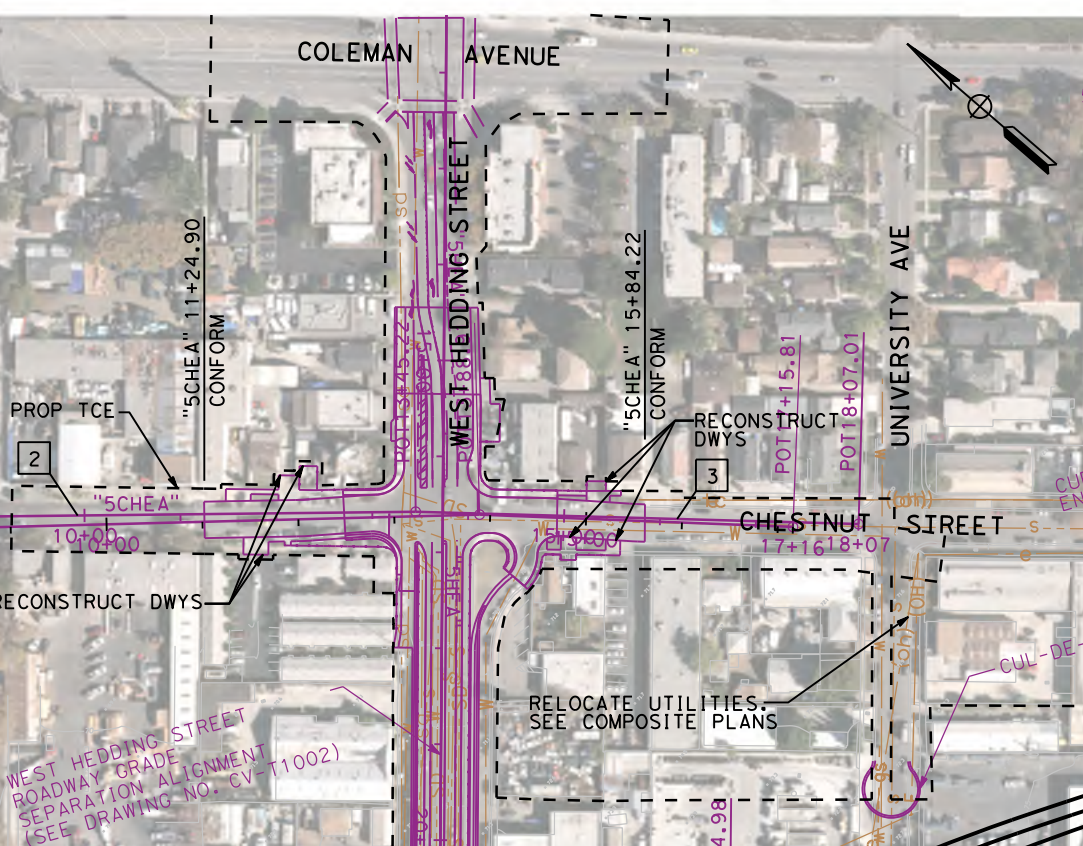


SECTION D-D
SCALE 1"=20'-0"

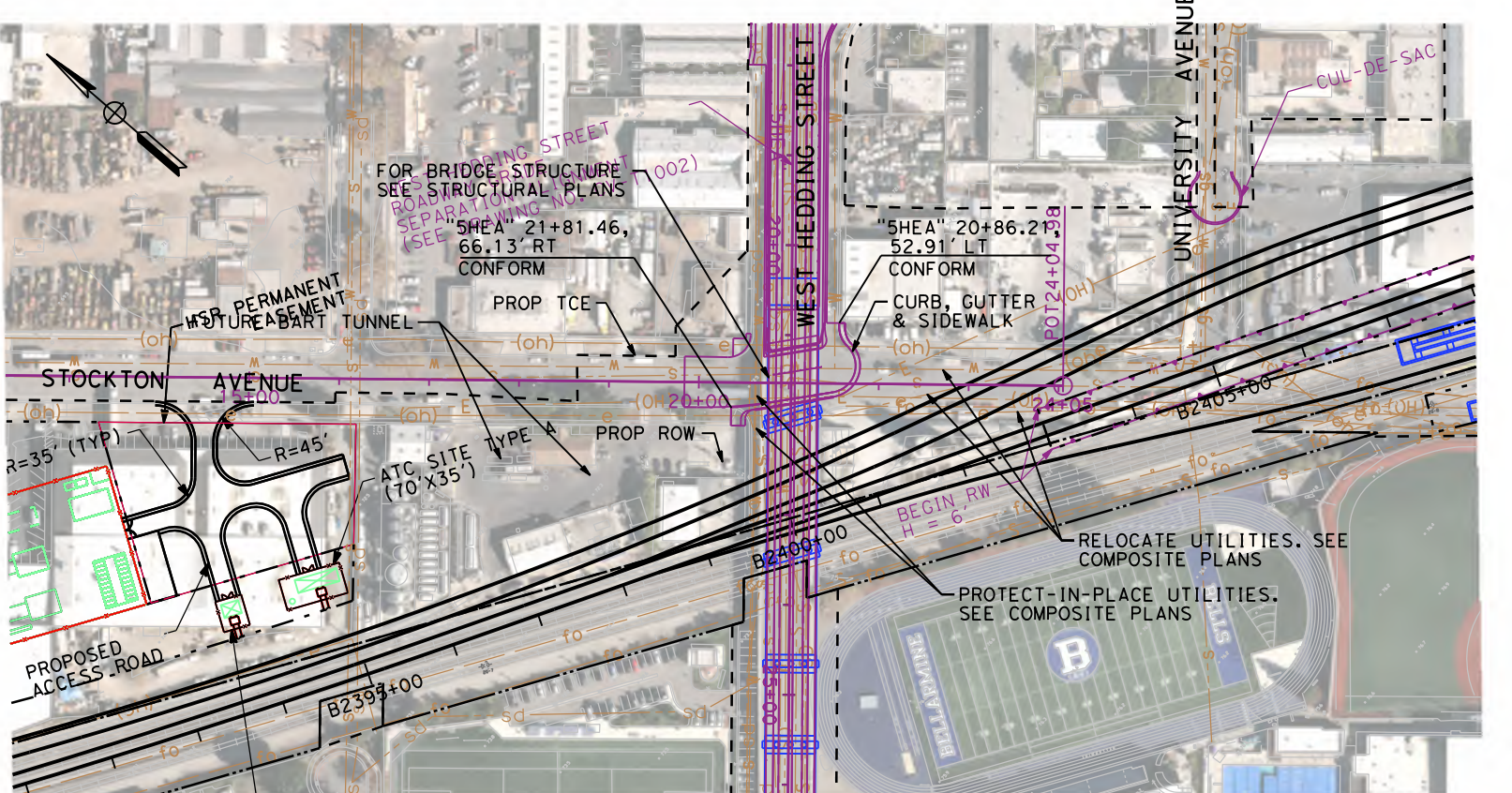
NOTE:
REFER TO GENERAL NOTES SHEETS GE-B0001 AND GE-B0002 FOR NOTES.

SAN JOSE TO CVY EIR/S: VOLUME III
ALTERNATIVE 3
BOOK 3C
SHEET 91 OF 216

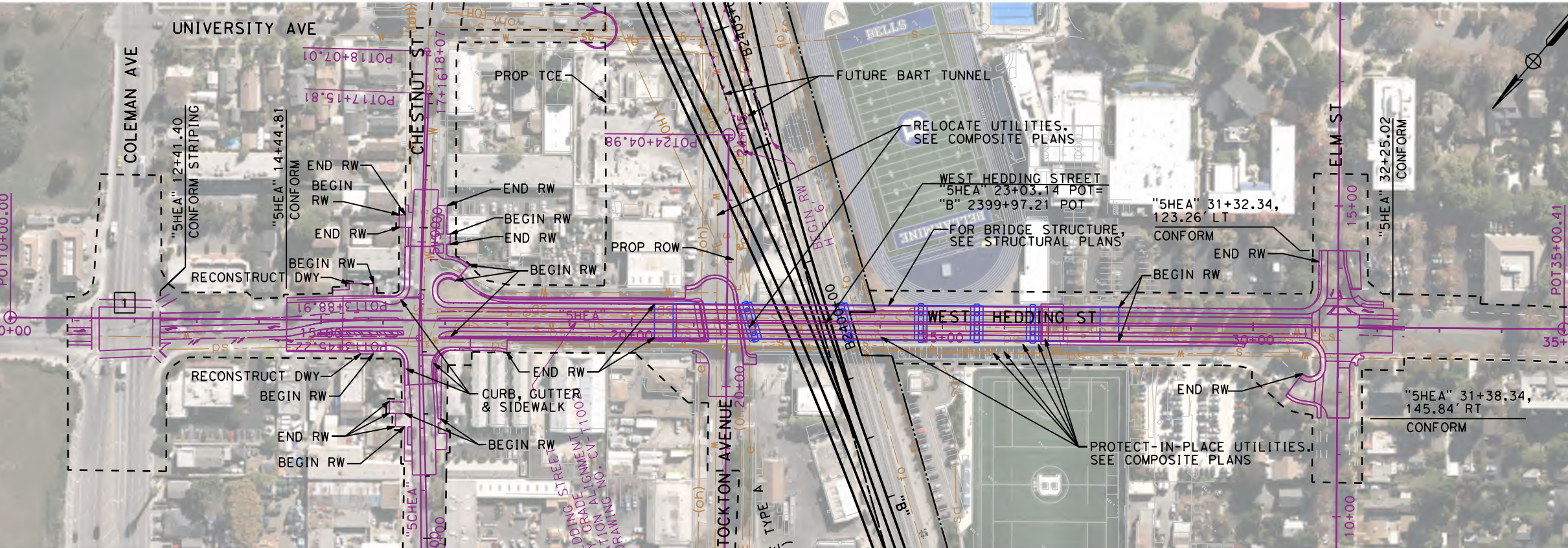
RECORD PERM SUBMITTAL MAY 3, 2019 NOT FOR CONSTRUCTION		1111 Broadway 9th Floor Oakland, CA 94607		CALIFORNIA HIGH-SPEED TRAIN PROJECT SAN JOSE TO MERCED SAN JOAQUIN VALLEY HENRY MILLER ROAD COMPLEX STRUCTURES GENERAL PLAN	CONTRACT NO. HSR15-34 DRAWING NO. ST-V1601 SCALE AS SHOWN SHEET NO.
--	--	---	--	--	--



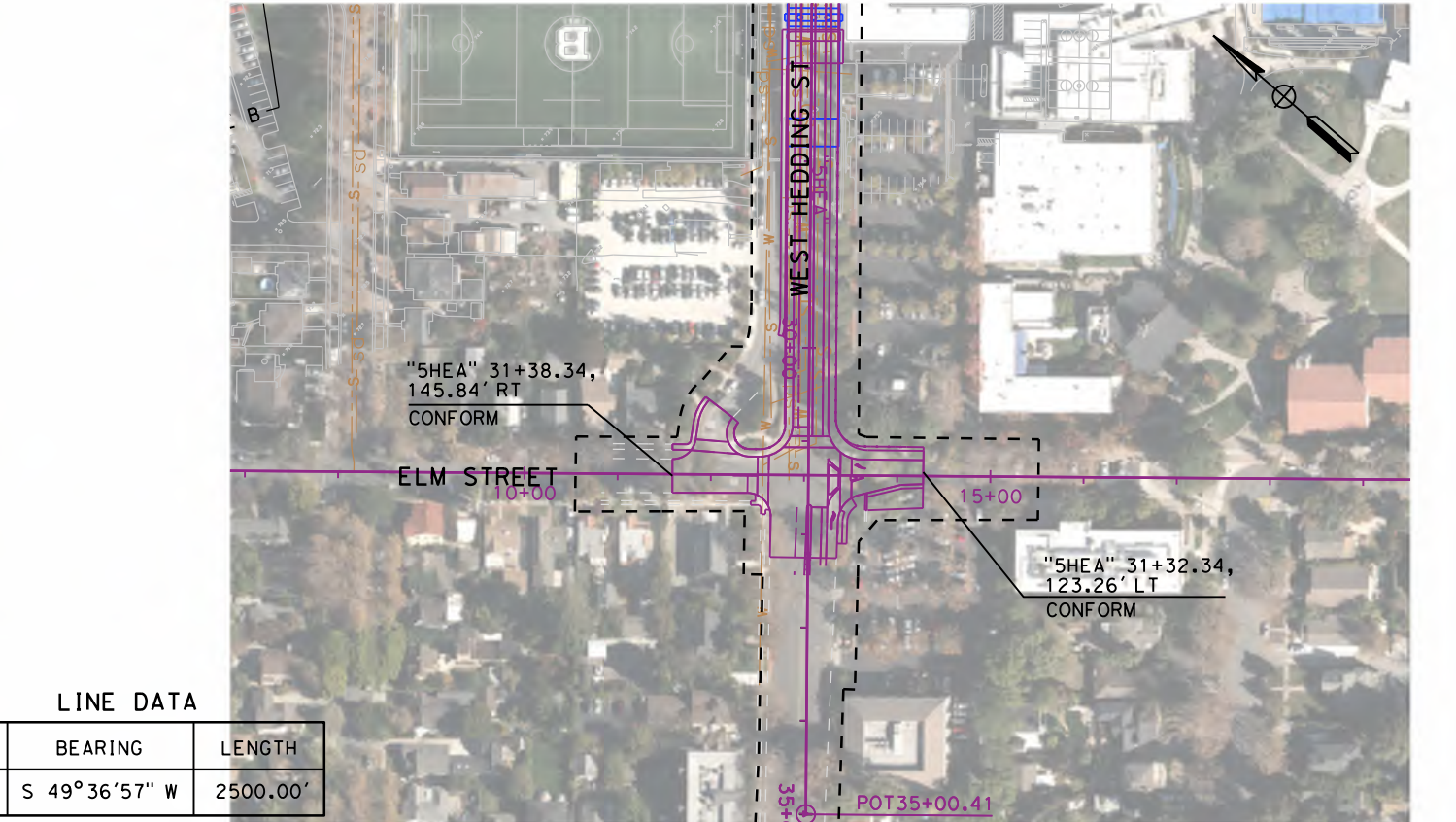
PLAN
CHESTNUT AVENUE
SCALE: 1"=200'



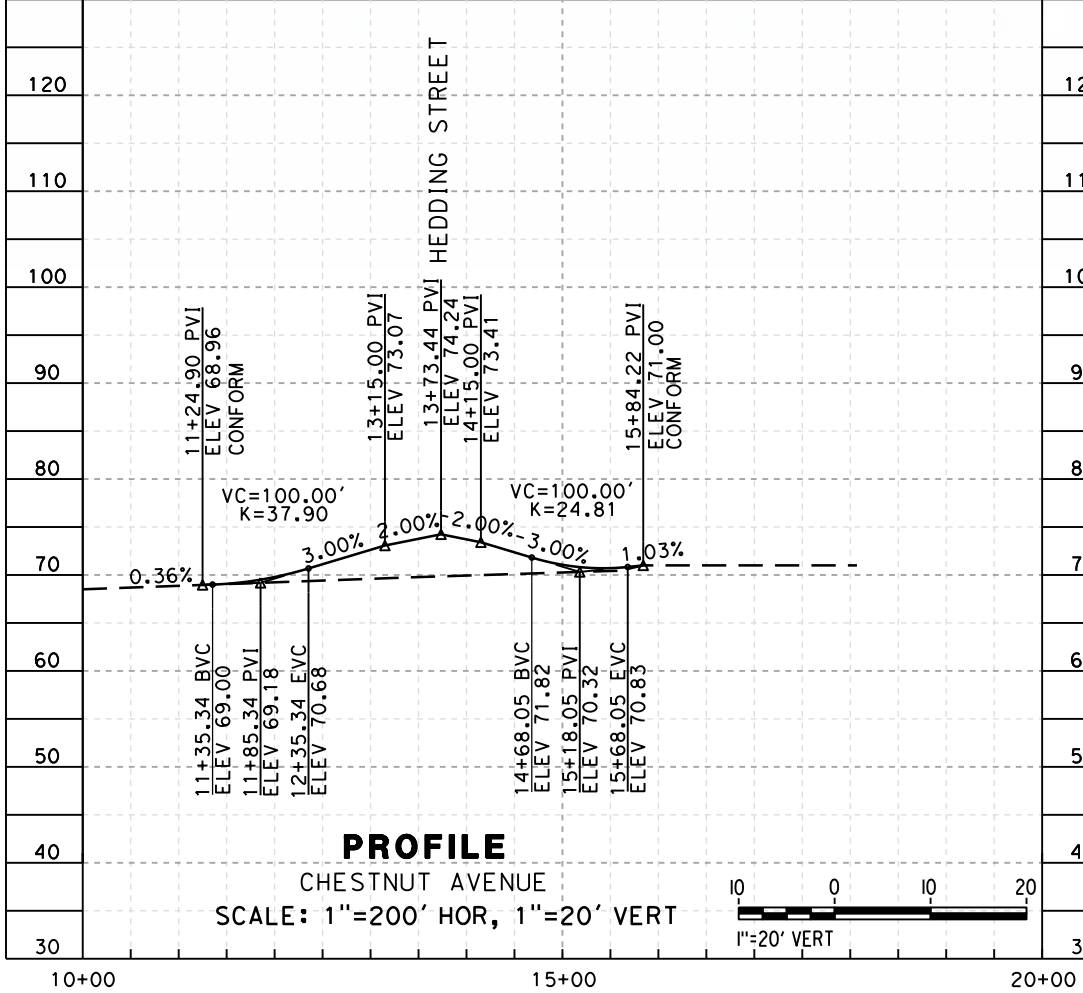
PLAN
STOCKTON AVENUE
SCALE: 1"=200'



PLAN
ELM STREET
SCALE: 1"=200'



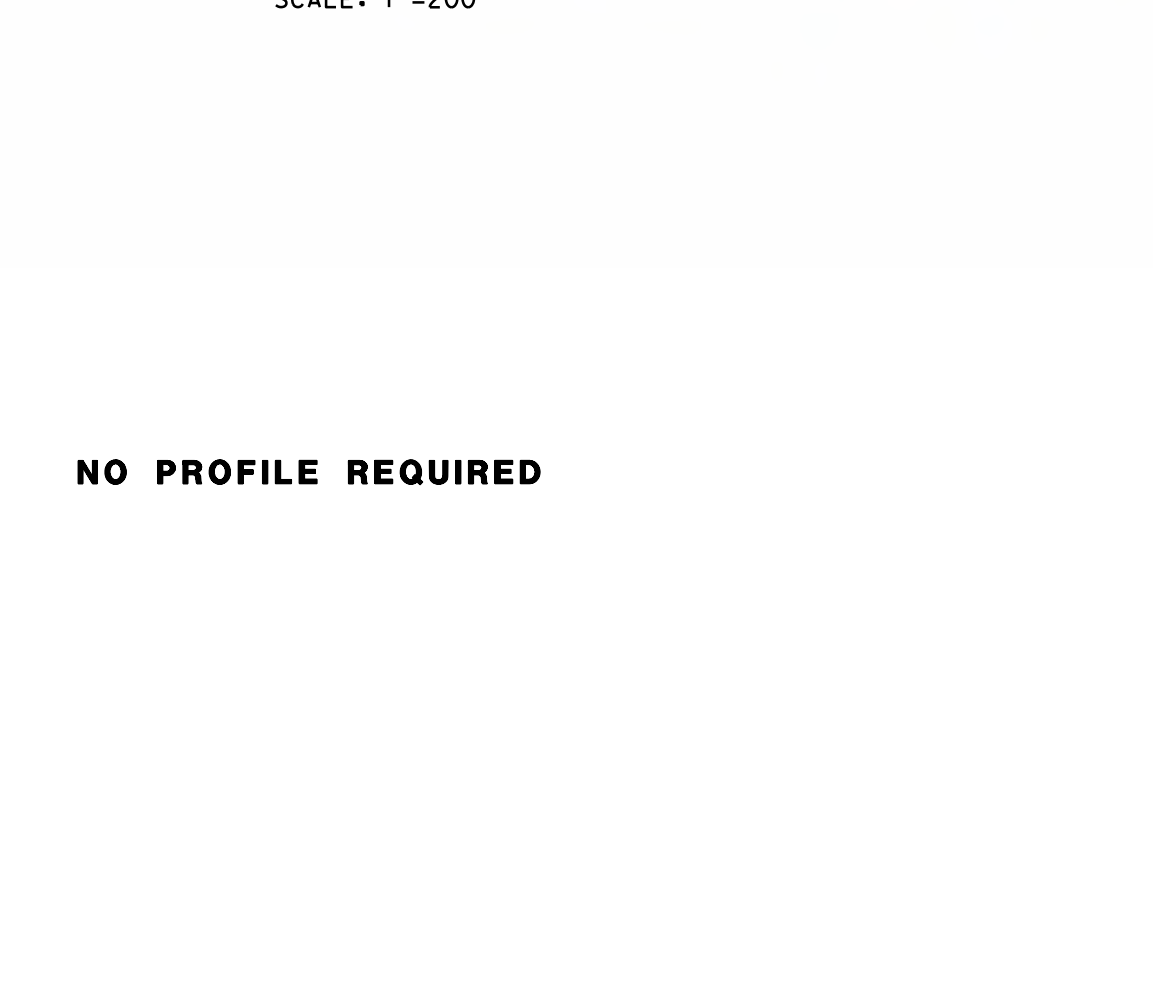
PLAN
UNIVERSITY AVENUE
SCALE: 1"=200'



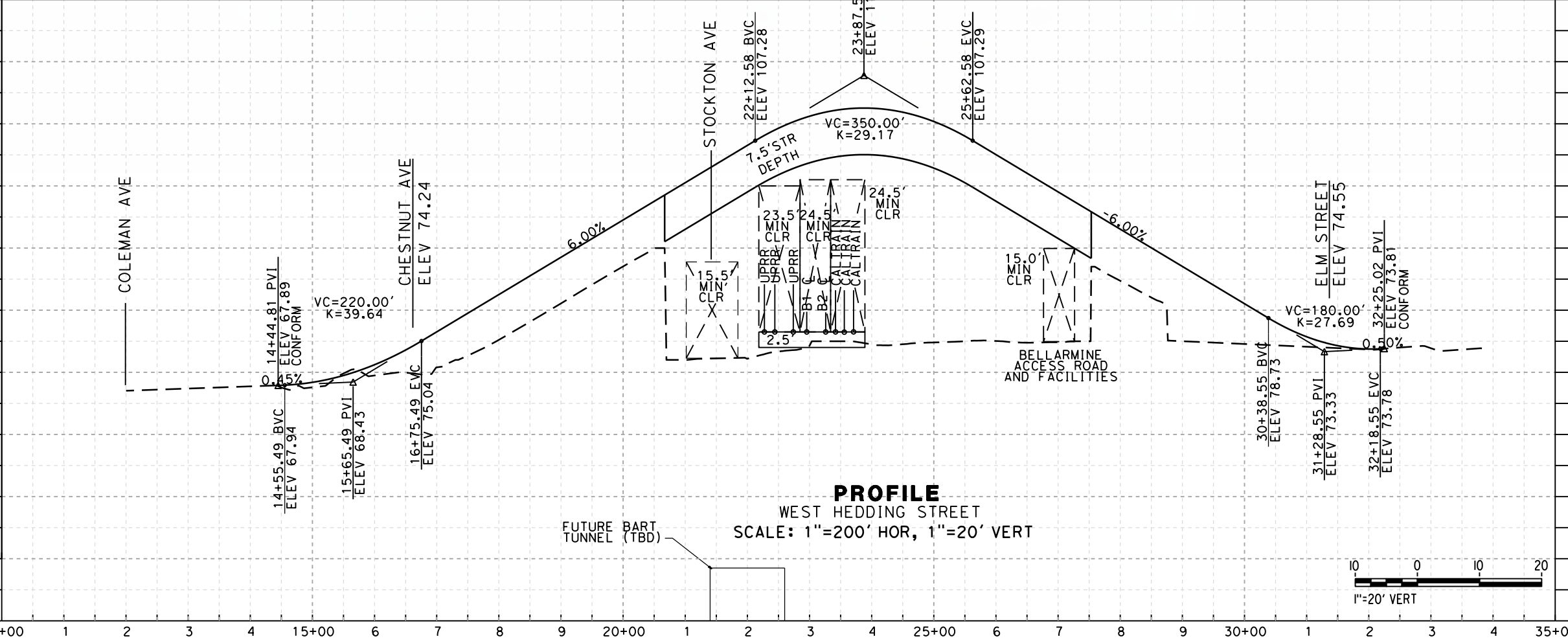
PROFILE
CHESTNUT AVENUE
SCALE: 1"=200' HOR, 1"=20' VERT

LINE DATA

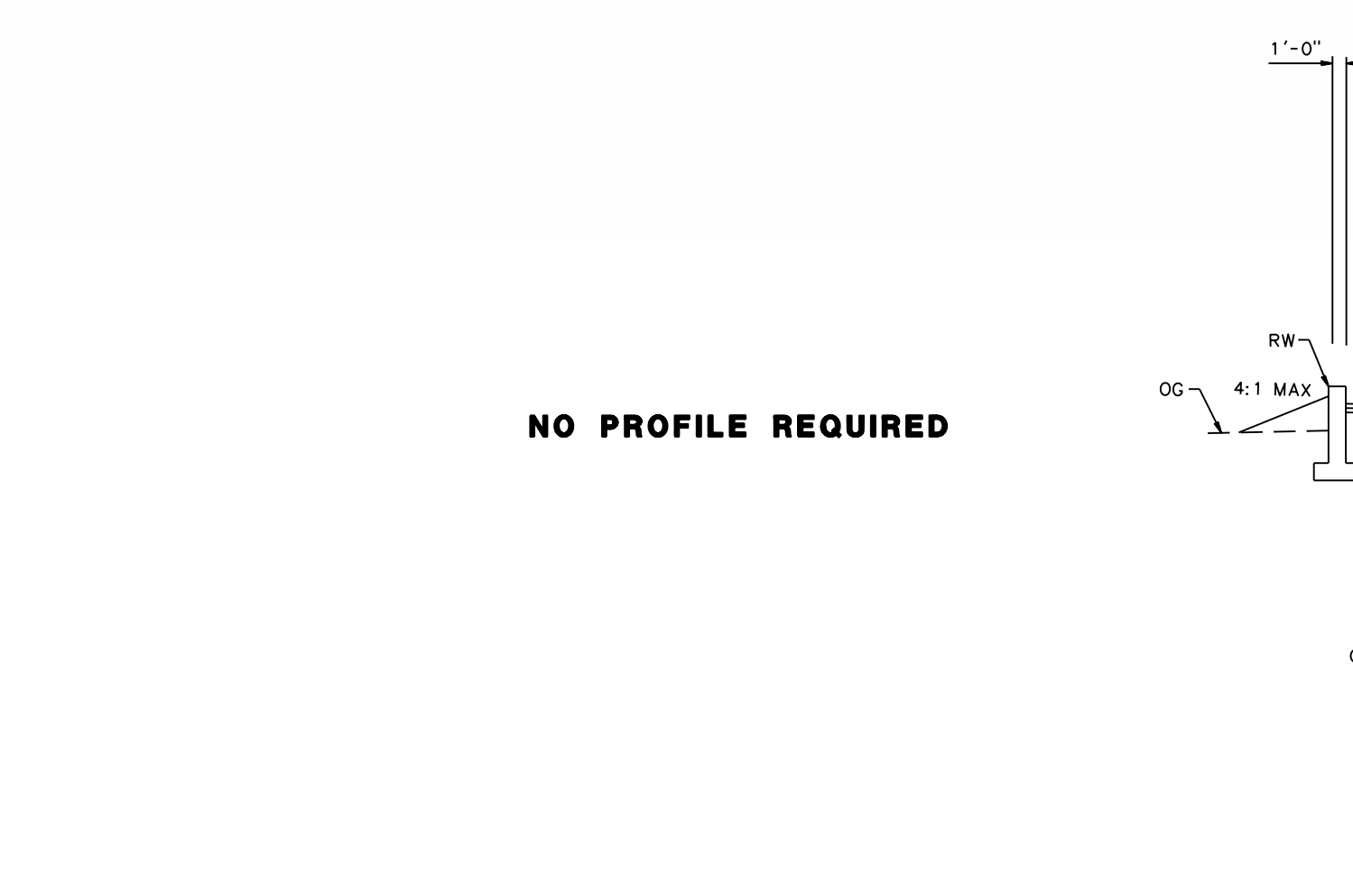
NO.	BEARING	LENGTH
2	S 41°26'58" E	595.22'
3	S 39°13'42" E	461.79'



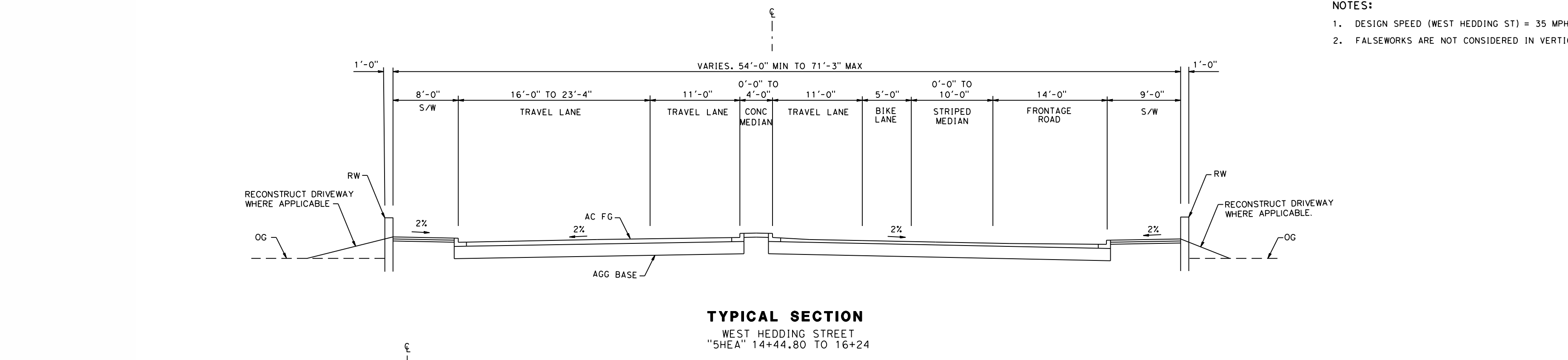
NO PROFILE REQUIRED



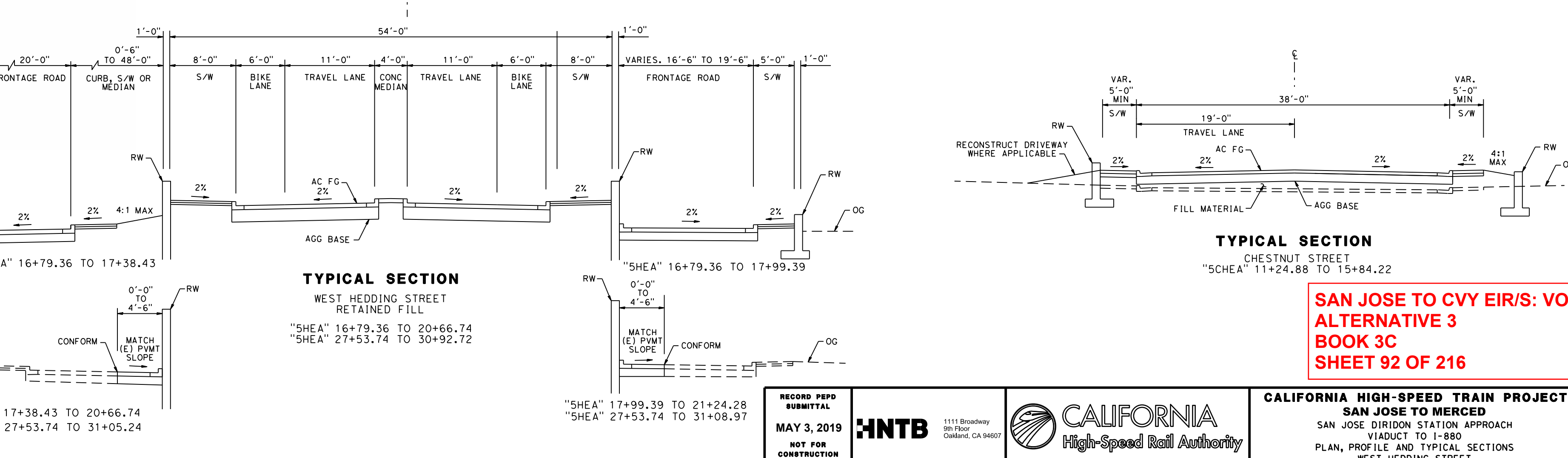
PROFILE
WEST HEDDING STREET
SCALE: 1"=200' HOR, 1"=20' VERT



NO PROFILE REQUIRED



TYPICAL SECTION
WEST HEDDING STREET
"SHEA" 14+44.80 TO 16+24

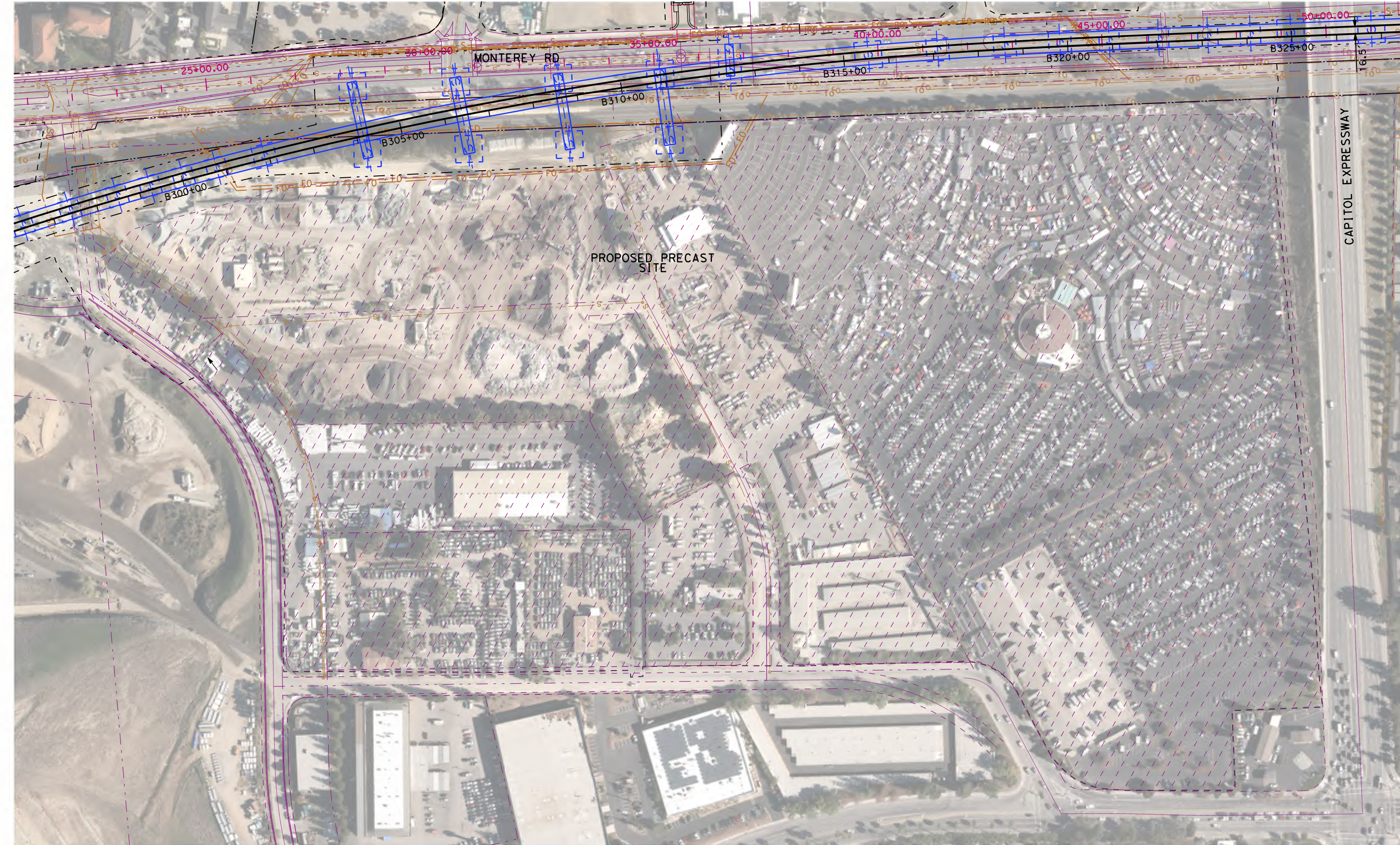


TYPICAL SECTION
CHESTNUT STREET
"SHEA" 11+24.88 TO 15+84.22

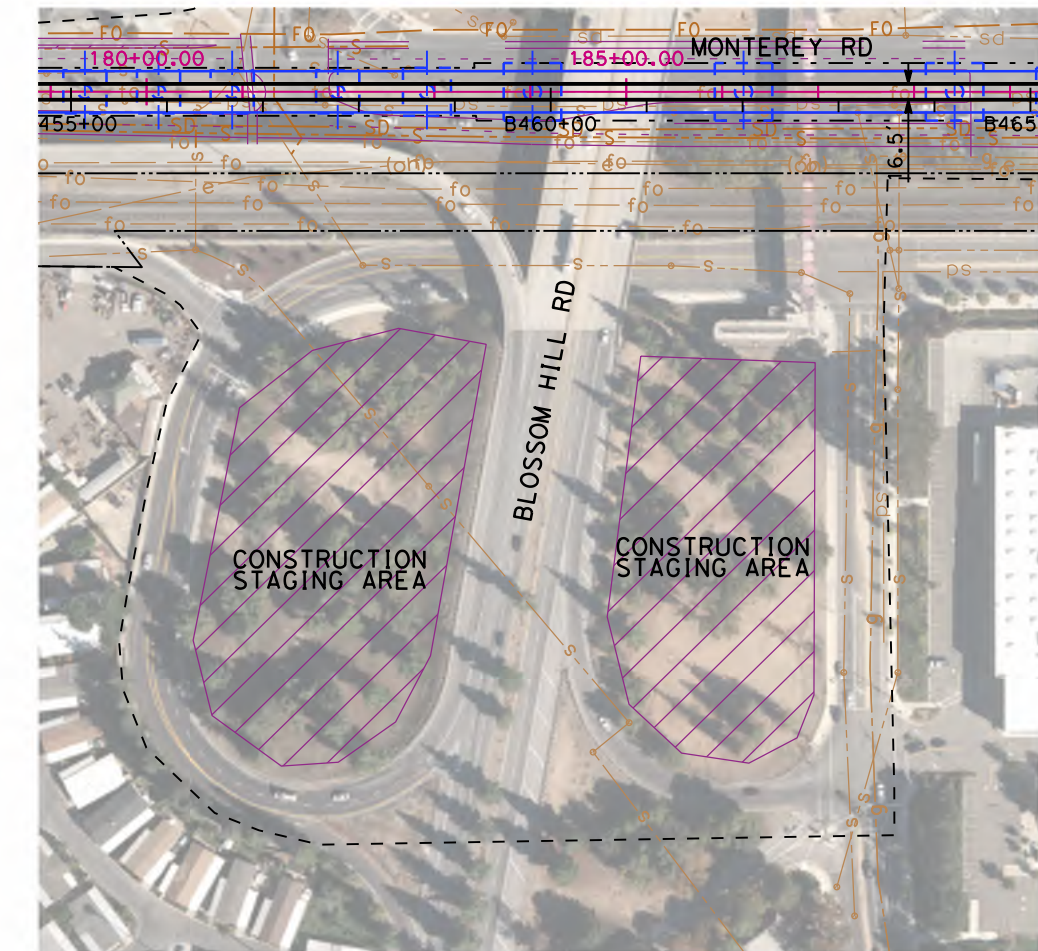
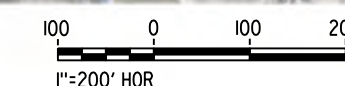
- NOTES:
- DESIGN SPEED (WEST HEDDING ST) = 35 MPH
 - FALSEWORKS ARE NOT CONSIDERED IN VERTICAL CLEARANCES.

SAN JOSE TO CVY EIR/IS: VOLUME III
ALTERNATIVE 3
BOOK 3C
SHEET 92 OF 216

<p>RECORD PERM SUBMITTAL MAY 3, 2019 NOT FOR CONSTRUCTION</p>	<p>HNTB</p>	<p>1111 Broadway 9th Floor Oakland, CA 94607</p>	<p>CALIFORNIA High-Speed Rail Authority</p>	<p>CALIFORNIA HIGH-SPEED TRAIN PROJECT SAN JOSE TO MERCED SAN JOSE DIRIDON STATION APPROACH VIADUCT TO I-880 PLAN, PROFILE AND TYPICAL SECTIONS WEST HEDDING STREET</p>	<p>CONTRACT NO. HSR15-34</p> <p>DRAWING NO. CV-T0151</p> <p>SCALE AS SHOWN</p> <p>SHEET NO.</p>
---	--------------------	--	--	---	---



**PROPOSED CONSTRUCTION STAGING AREA
AT STA B297+59 TO STA B325+08**
SCALE: 1"=200'



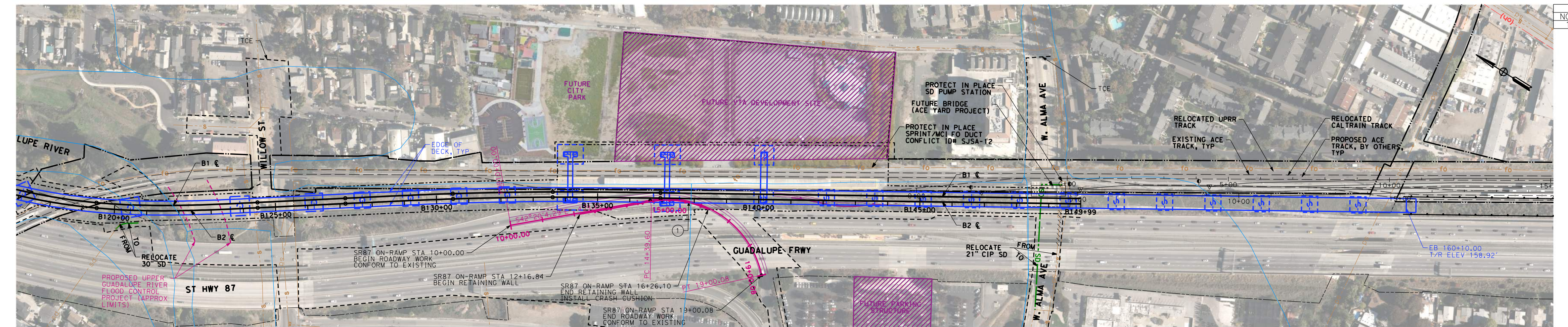
**PROPOSED CONSTRUCTION STAGING AREAS
STA B456+27 TO STA B433+00,
STA B460+59 TO STA B462+76**
SCALE: 1"=200'



NOTES:
1. REFER TO GENERAL NOTES SHEETS GE-B0001 AND GE-B0002 FOR NOTES.

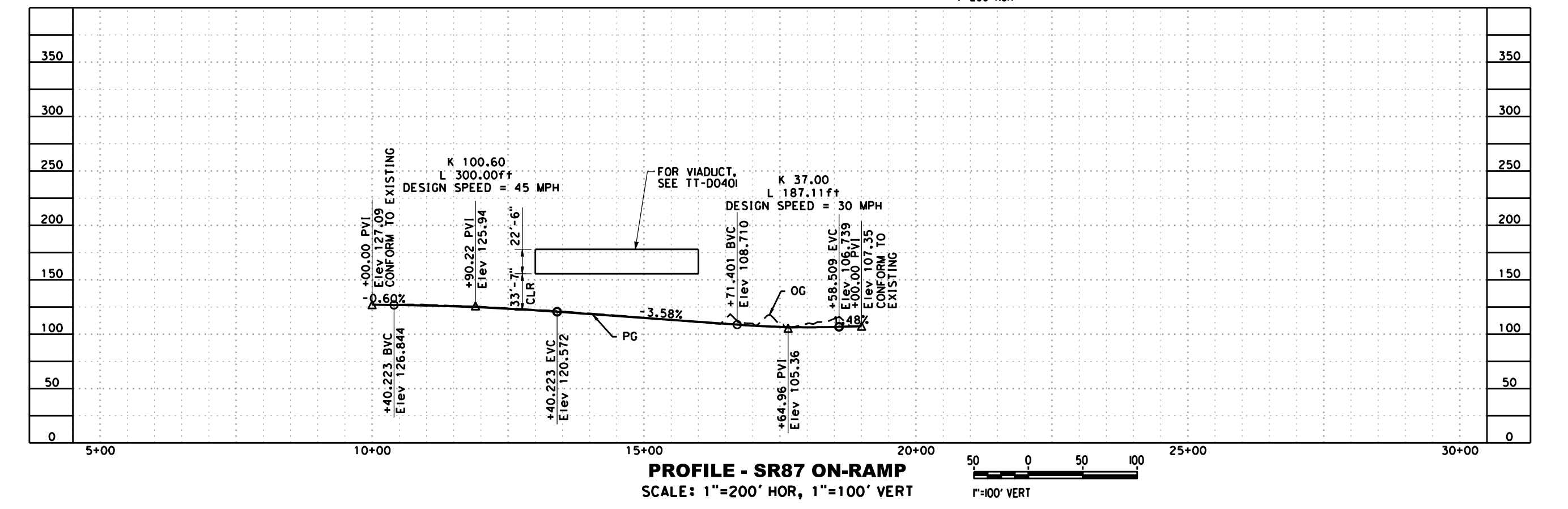
**SAN JOSE TO CVY EIR/S: VOLUME III
ALTERNATIVE 3
BOOK 3C
SHEET 94 OF 216**

RECORD PERM SUBMITTAL MAY 3, 2019 NOT FOR CONSTRUCTION	HNTB 1111 Broadway 9th Floor Oakland, CA 94607		CALIFORNIA HIGH-SPEED TRAIN PROJECT SAN JOSE TO MERCED MONTEREY CORRIDOR VIADUCT CIVIL DETAILS	CONTRACT NO. HSR15-33 DRAWING NO. CV-S0601 SCALE AS SHOWN SHEET NO.
--	--	--	---	---

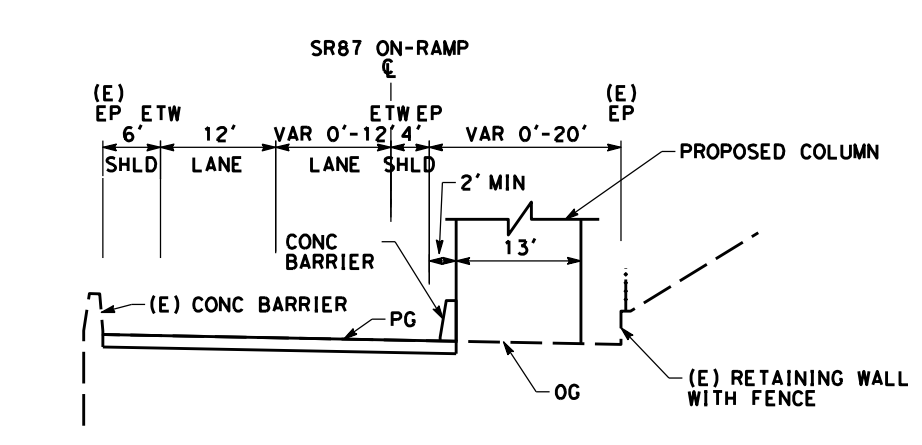


CURVE DATA SR87 ON-RAMP				
NO.	R	Δ	L	T
1	300	87°56'43.36"	460.481	289.430

PLAN - SR87 ON-RAMP
SCALE: 1"=100'
1"=200' HOR



PROFILE - SR87 ON-RAMP
SCALE: 1"=200' HOR, 1"=100' VERT
1"=100' VERT

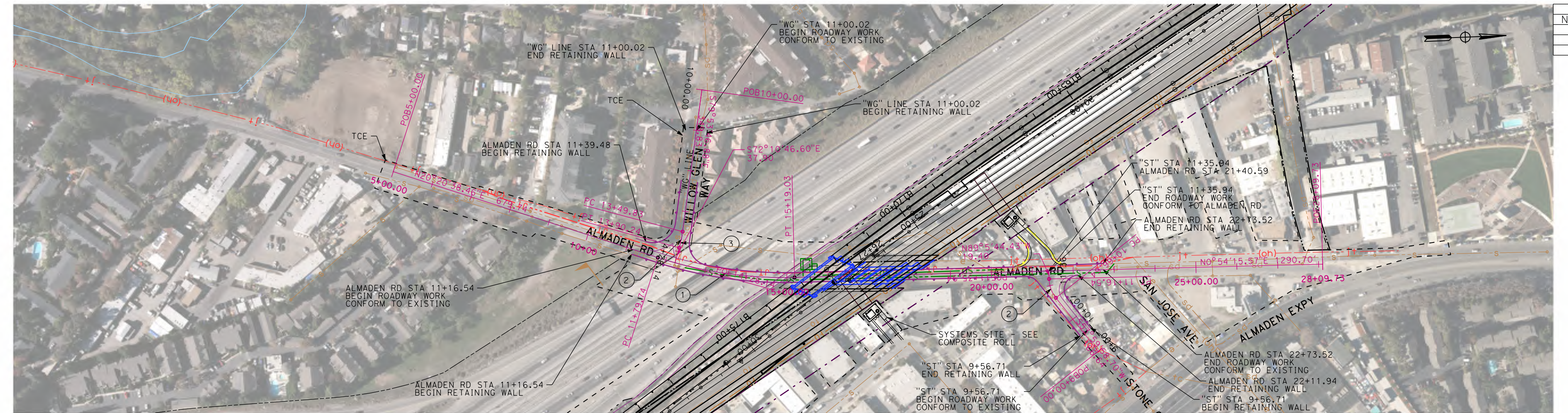


TYPICAL SECTION
SCALE: 1"=20'
SR87 ON-RAMP STA 10+00 TO SR87 ON-RAMP STA 19+00.08

NOTE:
1. REFER TO GENERAL NOTES SHEETS GE-B0001 AND GE-B0002 FOR NOTES.

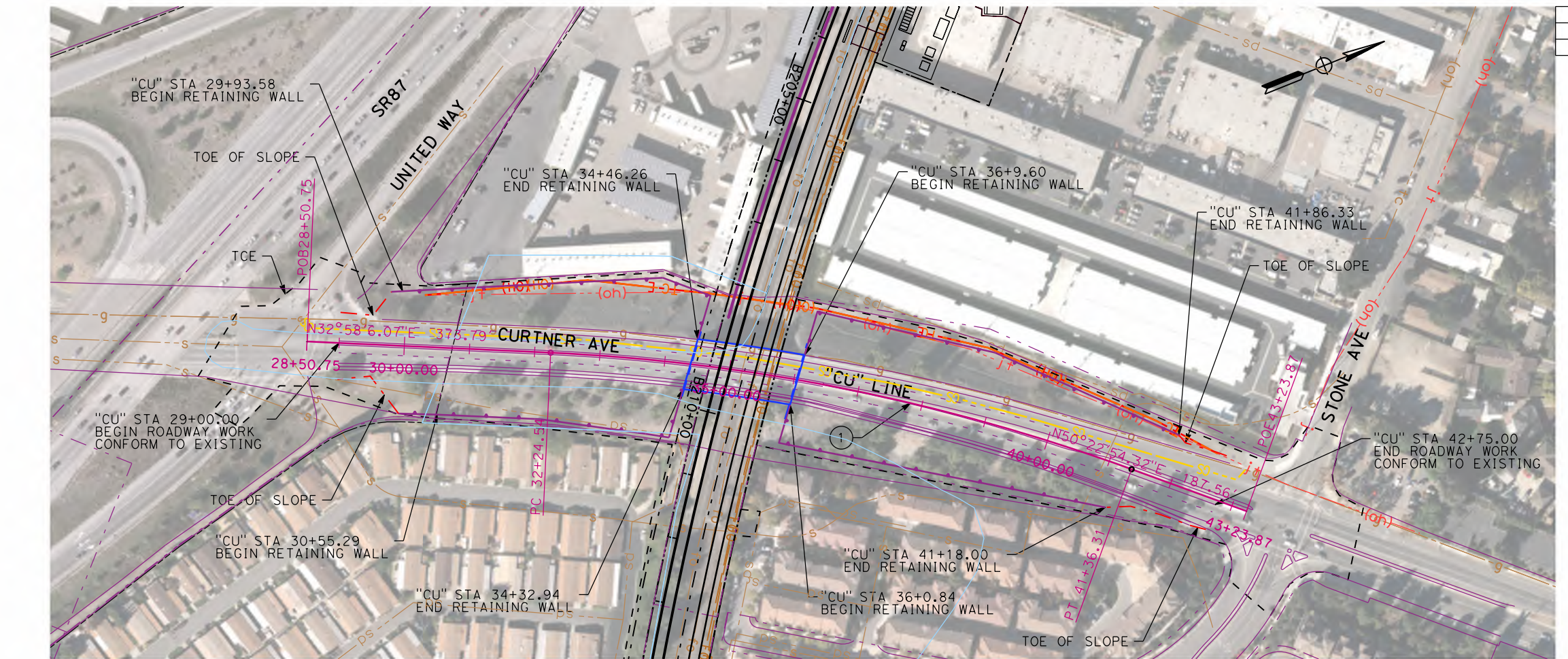
SAN JOSE TO CVY EIR/S: VOLUME III
ALTERNATIVE 3
BOOK 3C
SHEET 95 OF 216

RECORD PREP SUBMITTAL MAY 3, 2019 NOT FOR CONSTRUCTION		1111 Broadway 9th Floor Oakland, CA 94607		CALIFORNIA HIGH-SPEED TRAIN PROJECT SAN JOSE TO MERCED MONTEREY CORRIDOR VIADUCT/AT-GRADE GRADE SEPARATION LAYOUT, PROFILE, & CROSS SECTIONS SR87 ON-RAMP	CONTRACT NO. HSR15-34 DRAWING NO. CV-T0401 SCALE AS SHOWN SHEET NO.
--	--	---	--	--	---



PLAN - ALMADEN RD
SCALE: 1"=100'

CURVE DATA ALMADEN RD, "ST", AND "WG" LINE					
NO.	R	Δ	L	T	P
1	1000	19°26'22.88"	339.287	171.290	
2	77.47	36°54'16.87"	49.90	25.849	
3	300	7°43'0.28"	40.405	20.233	



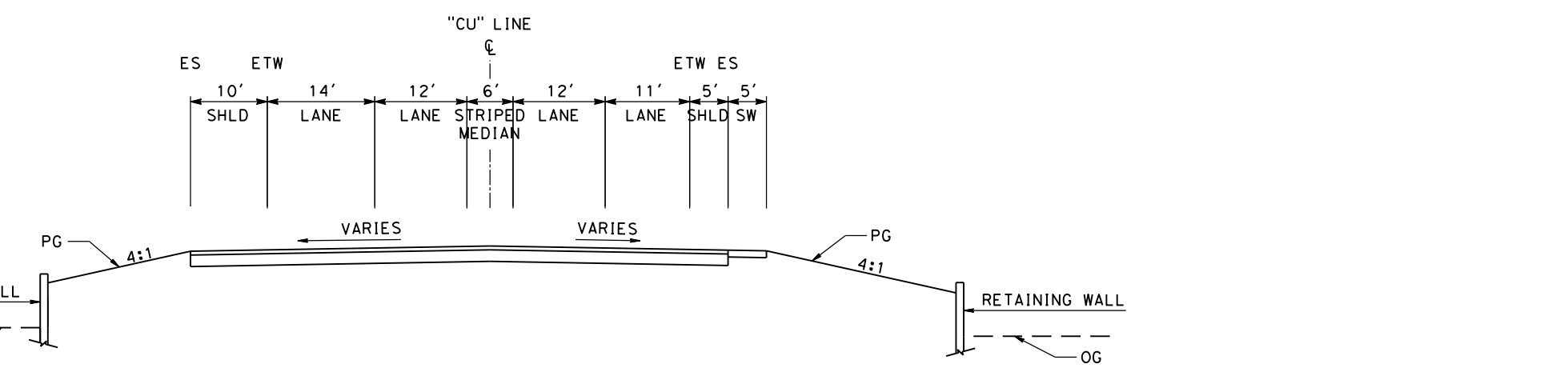
PLAN - CURTNER AVE
SCALE: 1"=100'

CURVE DATA "CU" LINE				
NO.	R	Δ	L	P
1	3000	17°24'48.25"	911.764	459.424

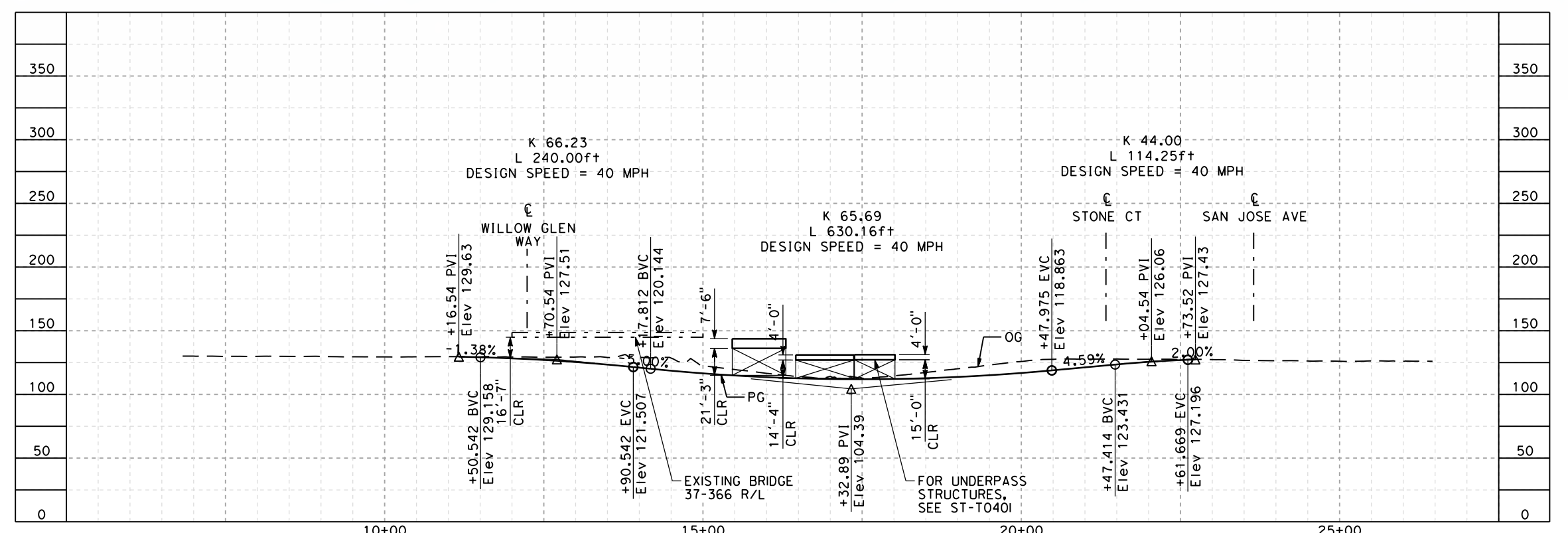
NOTE:
1. REFER TO GENERAL NOTES SHEETS GE-B0001 AND GE-B0002 FOR NOTES.



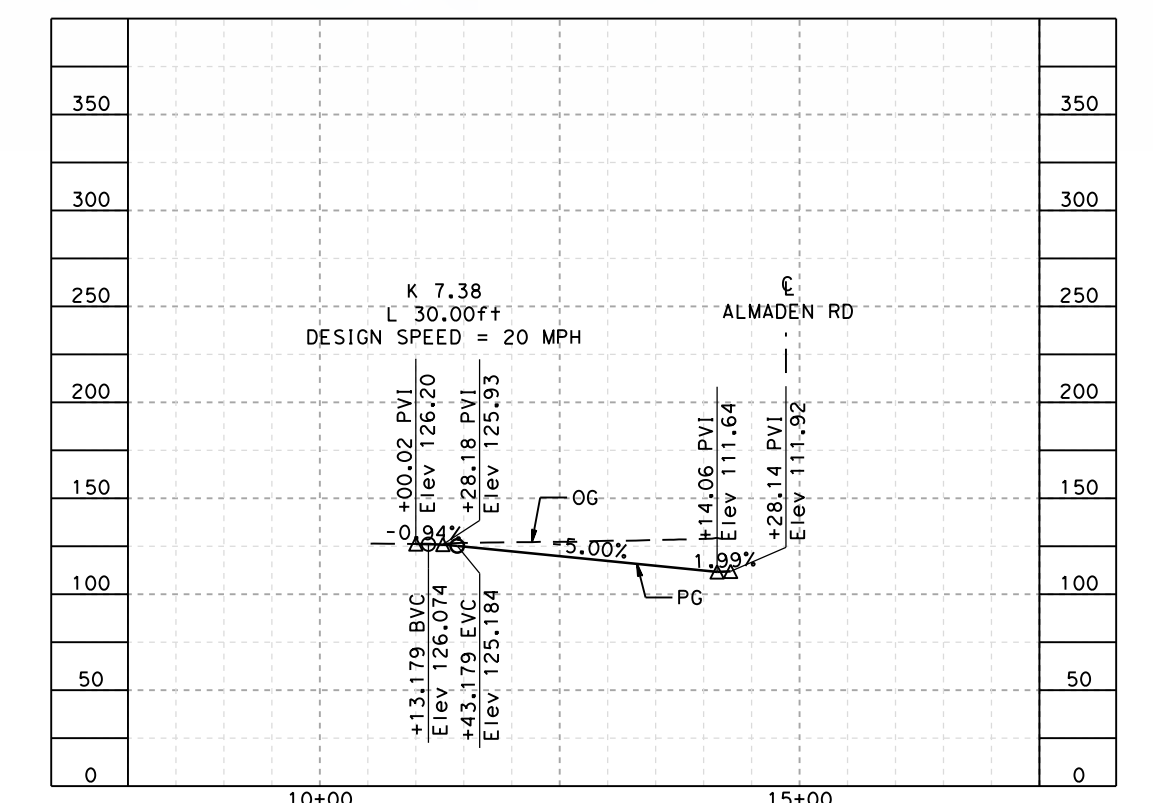
ALMADEN RD TYPICAL SECTION
SCALE: 1"=20'
ALMADEN RD STA 7+67.67 TO ALMADEN RD STA 22+47.36



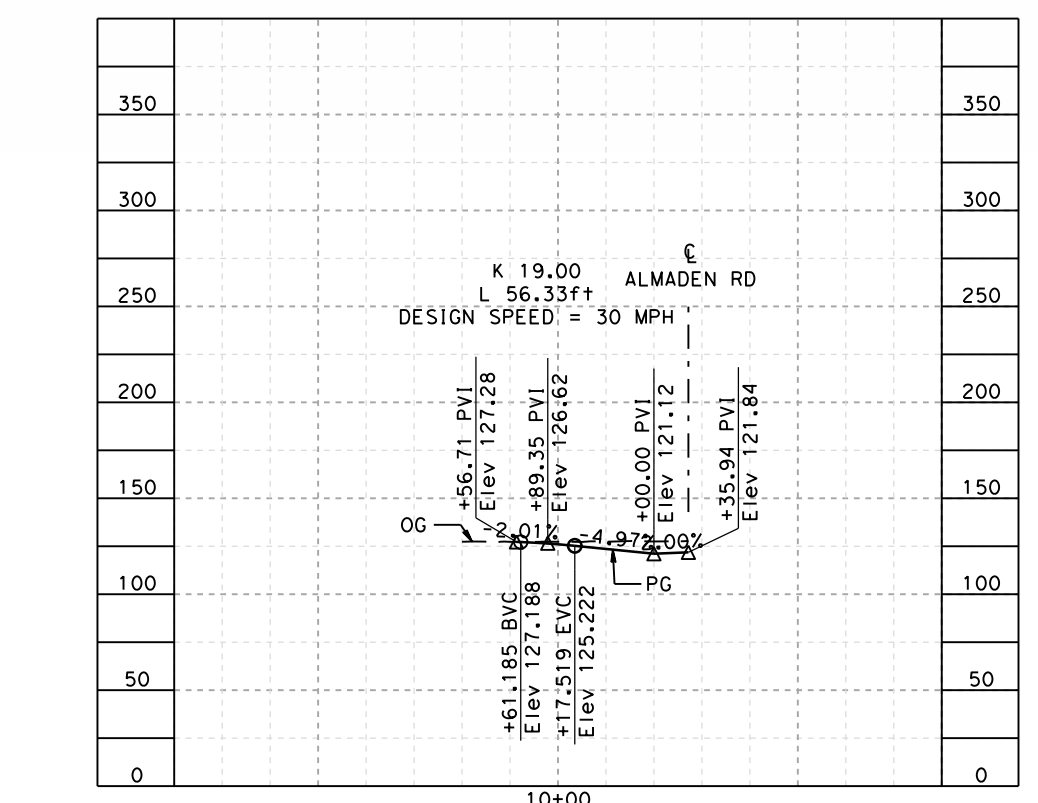
CURTNER AVE TYPICAL SECTION
SCALE: 1"=20'
CURTNER AVE STA 29+00.00 TO CURTNER AVE STA 42+75.00



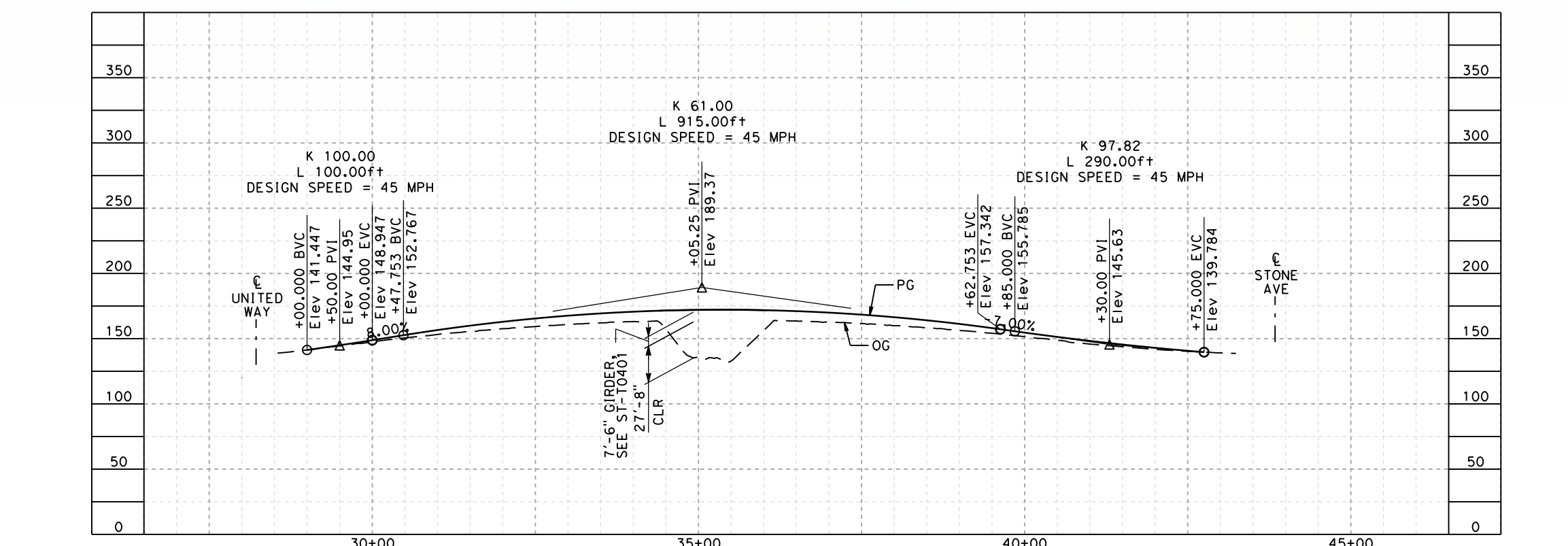
PROFILE - ALMADEN RD
SCALE: 1"=200' HOR, 1"=100' VERT



PROFILE - "WG"
SCALE: 1"=200' HOR, 1"=100' VERT



PROFILE - "ST"
SCALE: 1"=200' HOR, 1"=100' VERT

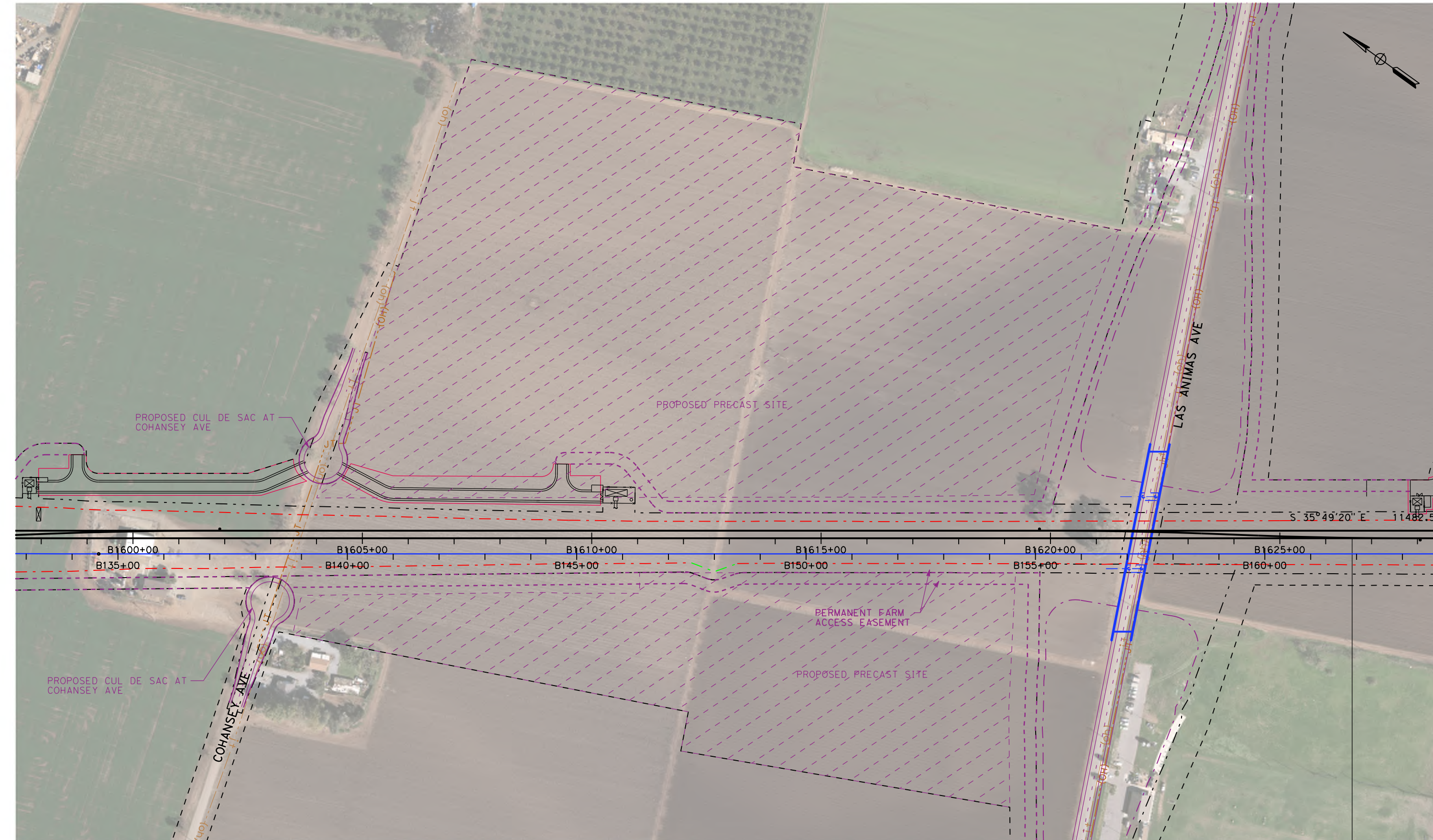


PROFILE - CURTNER AVE
SCALE: 1"=200' HOR, 1"=100' VERT

SAN JOSE TO CVY EIR/S: VOLUME III
ALTERNATIVE 3
BOOK 3C
SHEET 96 OF 216

RECORD PERM SUBMITTAL MAY 3, 2019 NOT FOR CONSTRUCTION	HNTB 1111 Broadway 9th Floor Oakland, CA 94607	CALIFORNIA High-Speed Rail Authority	CALIFORNIA HIGH-SPEED TRAIN PROJECT SAN JOSE TO MERCED MONTEREY CORRIDOR VIADUCT/AT-GRADE GRADE SEPARATION LAYOUT, PROFILE, & CROSS SECTIONS ALMADEN ROAD AND CURTNER AVENUE	CONTRACT NO.: HSR15-34 DRAWING NO.: CV-T0402 SCALE: AS SHOWN SHEET NO.:
---	--	--	---	--

4/29/2019 4:27:14 PM C:\Users\jrburke\OneDrive\Documents\San Jose to CVY EIR/S: Volume III\Book 3C\T0402.dgn

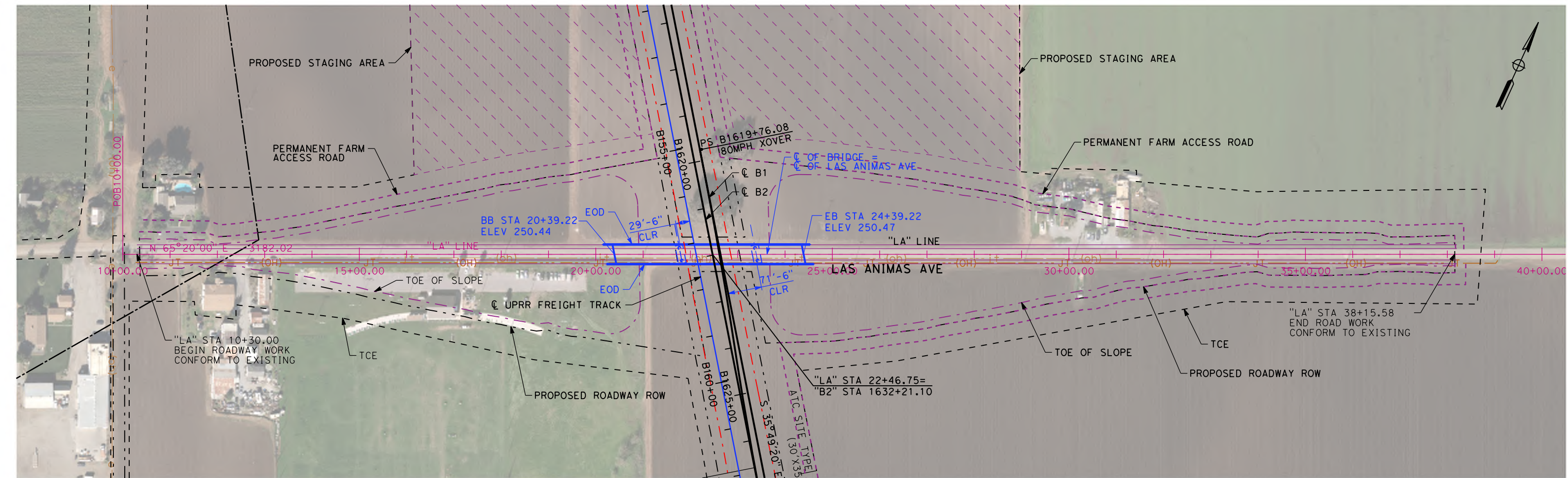


PLAN - PROPOSED PRECAST SITES AT COHANSEY AVE
 SCALE: 1"=200'

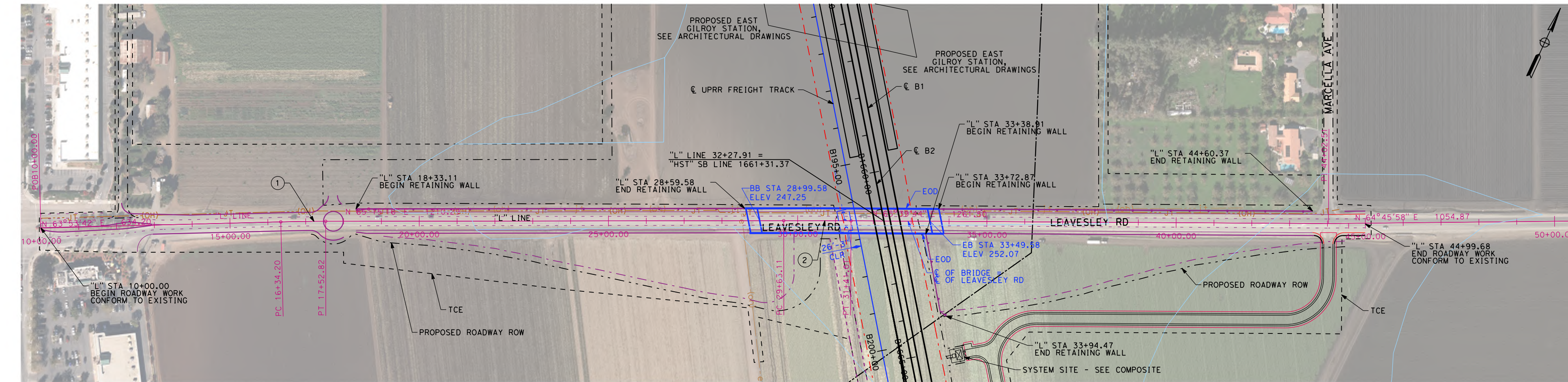
NOTE:
 1. REFER TO GENERAL NOTES SHEETS GE-B0001 AND GE-B0002 FOR NOTES.

SAN JOSE TO CVY EIR/S: VOLUME III
ALTERNATIVE 3
BOOK 3C
SHEET 97 OF 216

RECORD PEPP SUBMITTAL MAY 3, 2019 NOT FOR CONSTRUCTION	HNTB 1111 Broadway 9th Floor Oakland, CA 94607		CALIFORNIA HIGH-SPEED TRAIN PROJECT SAN JOSE TO MERCED MORGAN HILL AND GILROY VIADUCT TO EAST GILROY CIVIL DETAILS	CONTRACT NO. HSR15-33 DRAWING NO. CV-S1101 SCALE AS SHOWN SHEET NO.
---	--	--	--	---

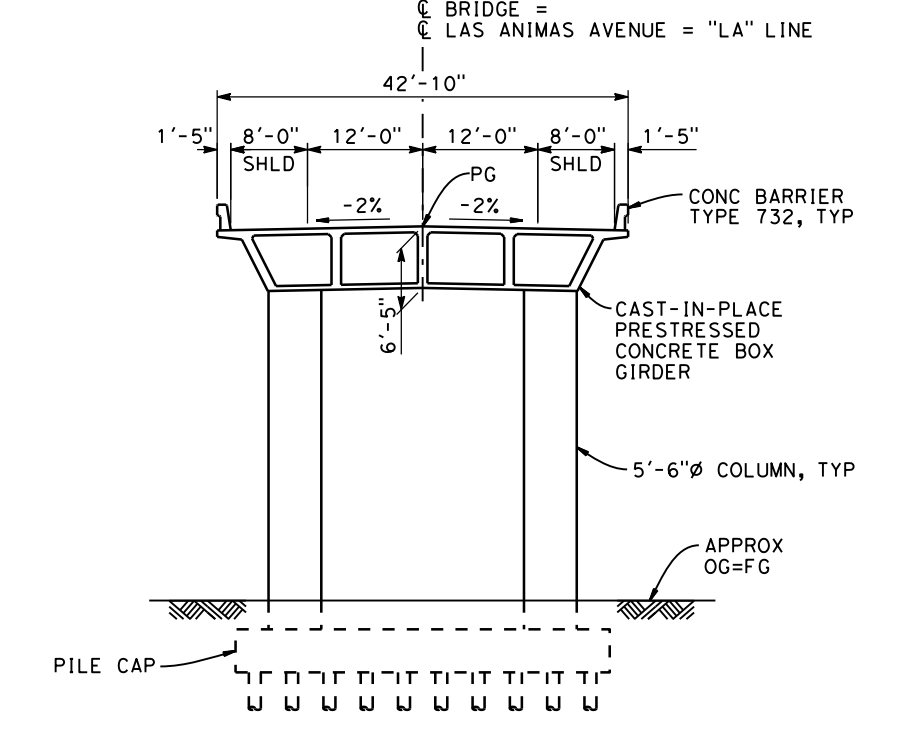


PLAN - LAS ANIMAS AVE "LA"
SCALE: 1"=200'

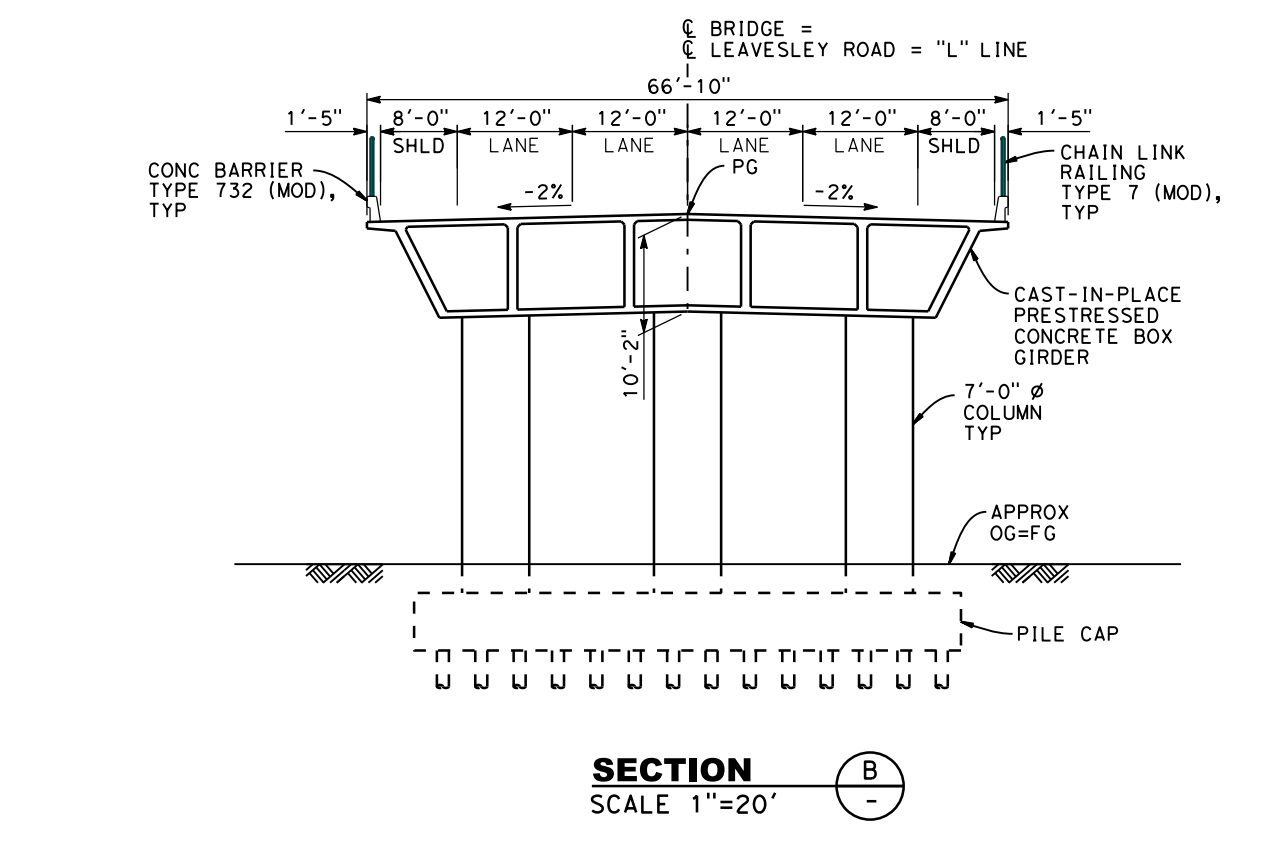


PLAN - LEAVESLEY RD "L"
SCALE: 1"=200'

NO.	R	Δ	L	E
1	5000	1°21'33.68"	118.626	59.316
2	25000	0°24'27.80"	177.902	88.951

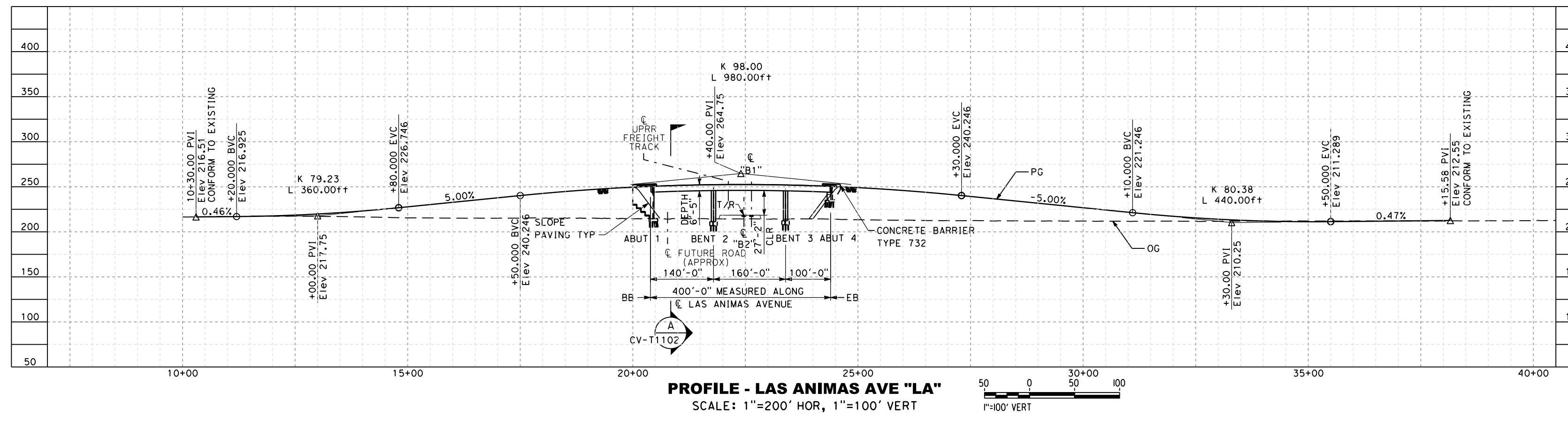


SECTION A
SCALE 1"=20'

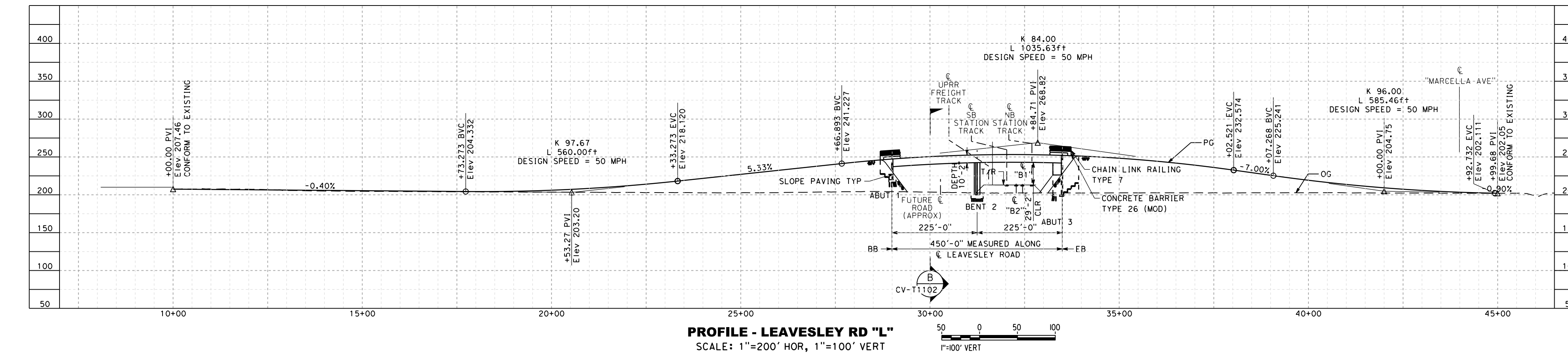


SECTION B
SCALE 1"=20'

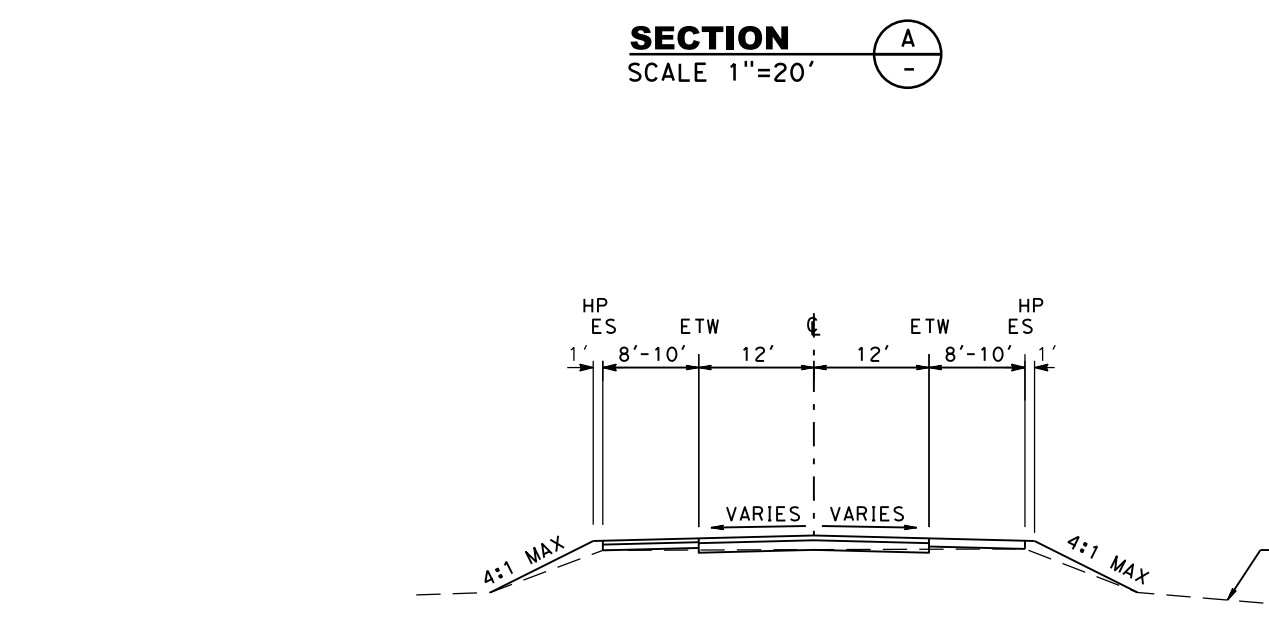
NOTE:
1. REFER TO GENERAL NOTES SHEETS GE-B001 AND GE-B002 FOR NOTES.



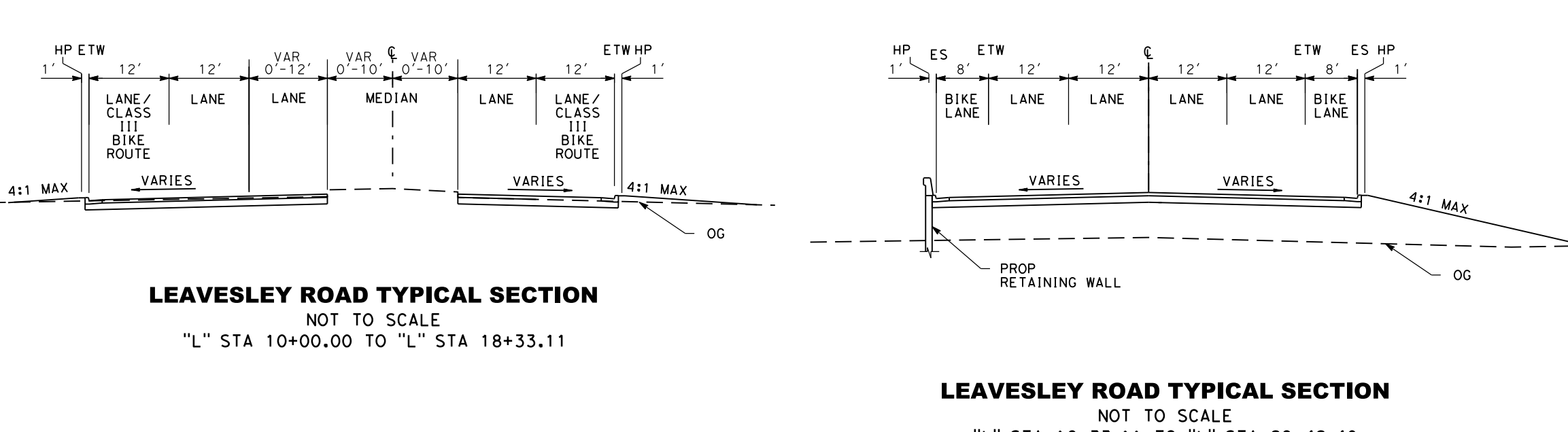
PROFILE - LAS ANIMAS AVE "LA"
SCALE: 1"=200' HOR, 1"=100' VERT



PROFILE - LEAVESLEY RD "L"
SCALE: 1"=200' HOR, 1"=100' VERT



LAS ANIMAS AVE TYPICAL SECTION
NOT TO SCALE
'LA' STA 10+30.00 TO 'LA' STA 19+89.22
'LA' STA 24+29.22 TO 'LA' STA 38+20.00

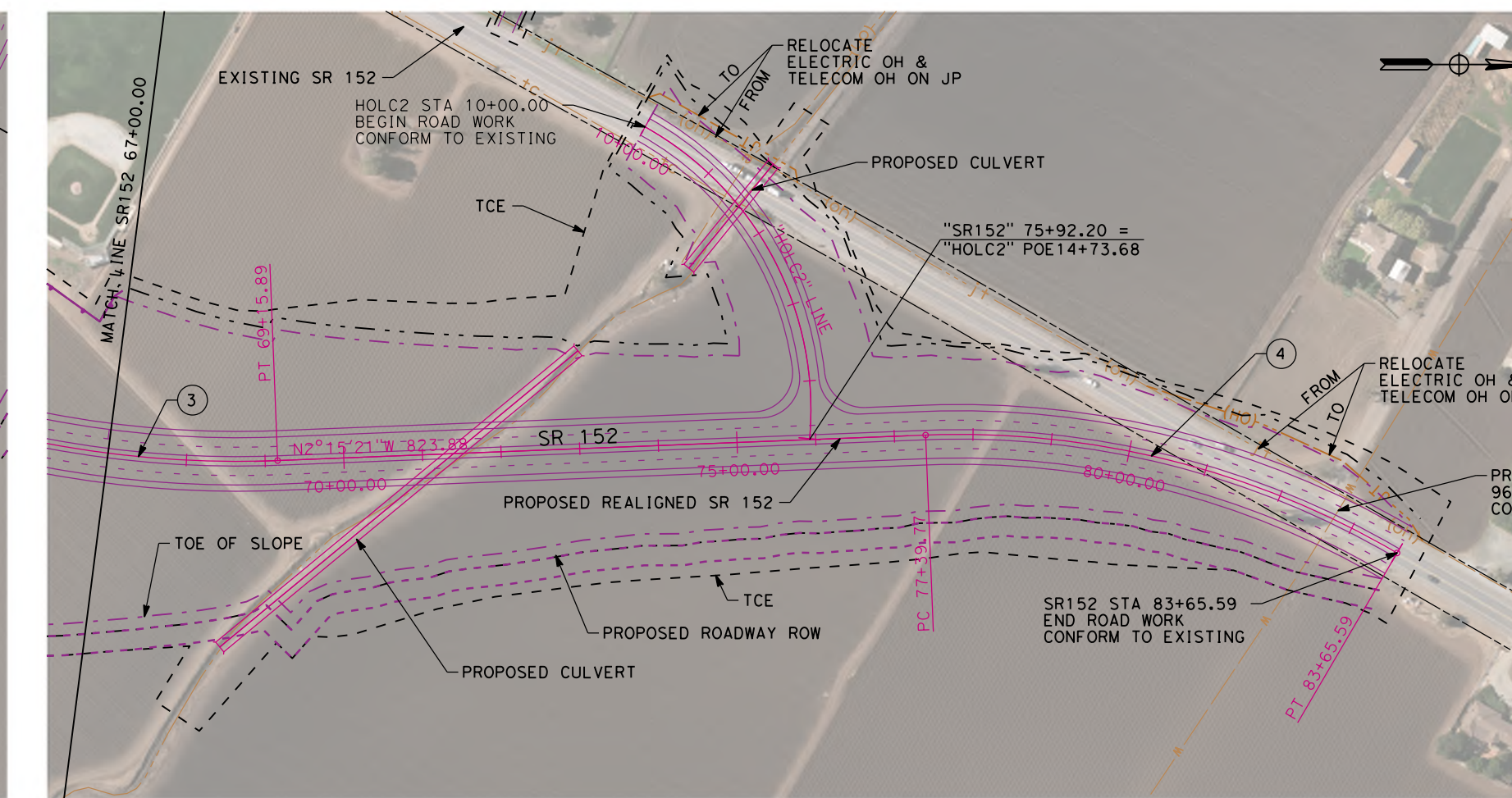
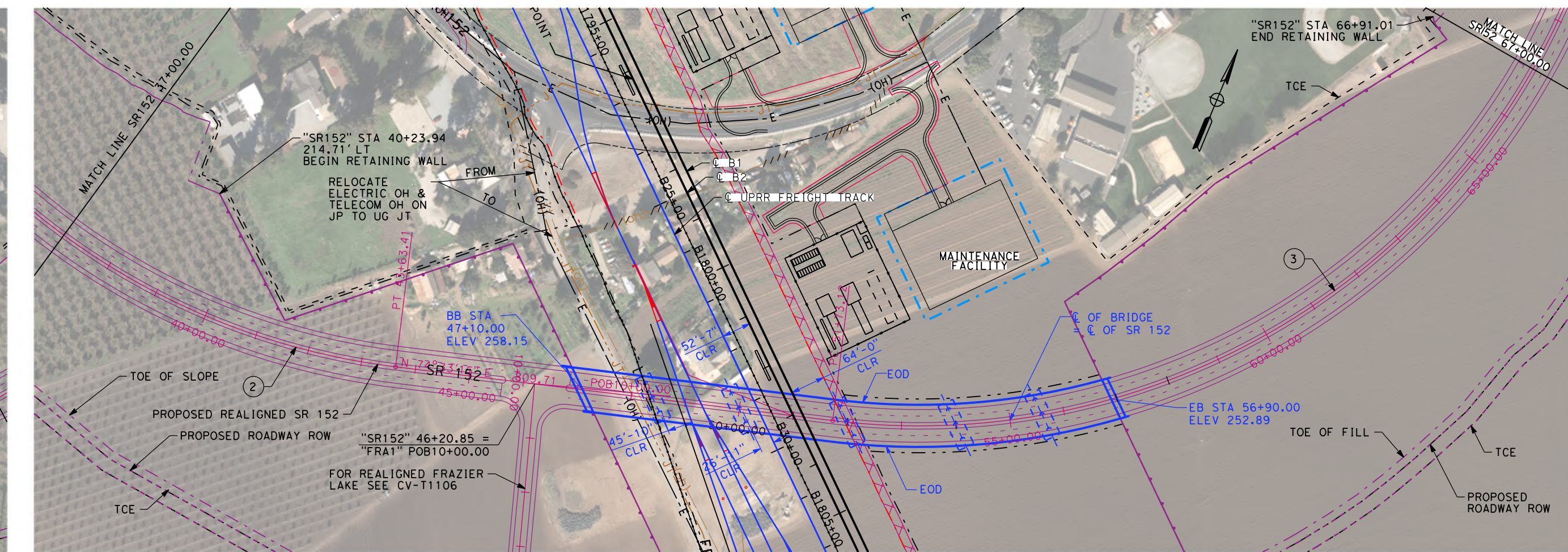
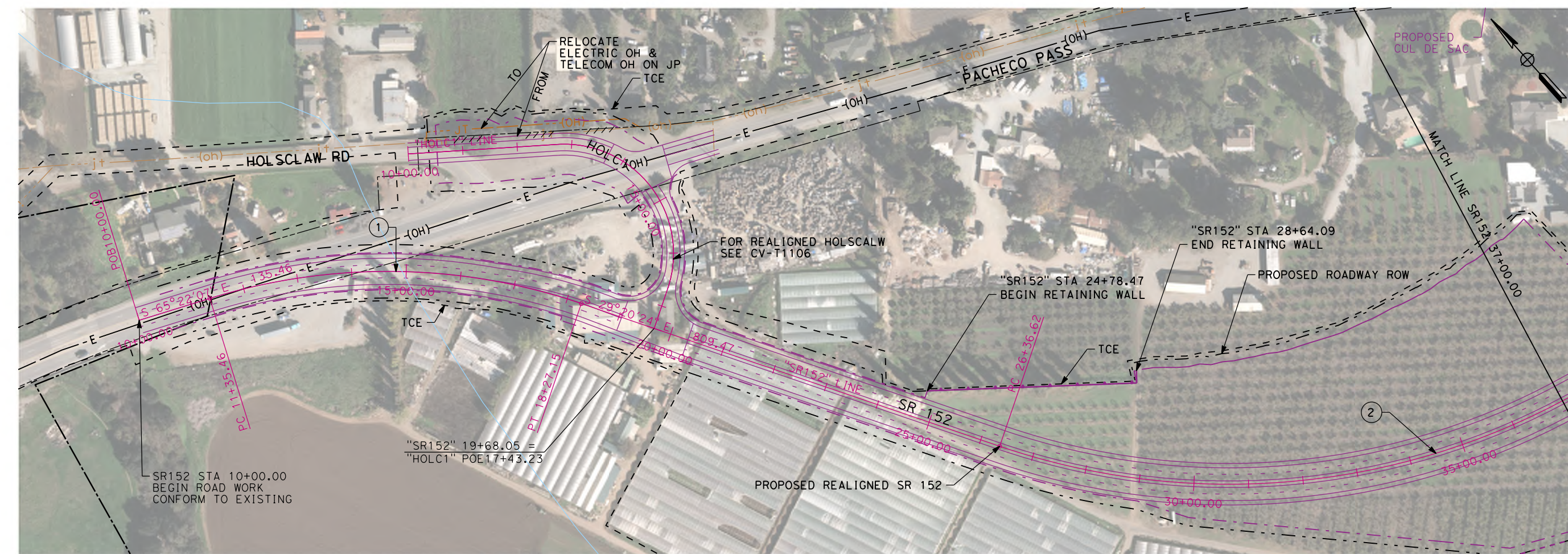


LEAVESLEY ROAD TYPICAL SECTION
NOT TO SCALE
'L' STA 10+00.00 TO 'L' STA 18+33.11

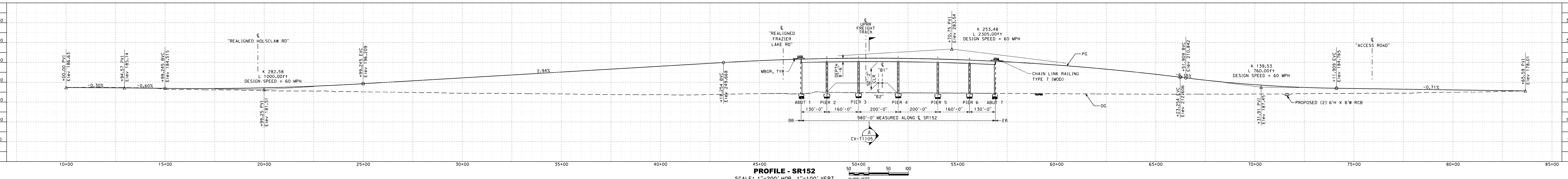
**SAN JOSE TO CVY EIR/S: VOLUME III
ALTERNATIVE 3
BOOK 3C
SHEET 98 OF 216**

4/28/2019 3:15:22 PM C:\Users\jrb1\OneDrive\Documents\46037_Corridor\Drawings\CV-11102.dwg

RECORD PERM SUBMITTAL MAY 3, 2019 NOT FOR CONSTRUCTION	HNTB 1111 Broadway 9th Floor Oakland, CA 94607	CALIFORNIA High-Speed Rail Authority	CALIFORNIA HIGH-SPEED TRAIN PROJECT SAN JOSE TO MERCED MORGAN HILL AND GILROY VIADUCT TO EAST GILROY GRADE SEPARATION LAYOUT, PROFILE, & CROSS SECTIONS LAS ANIMAS AVE AND LEAVESLEY RD	CONTRACT NO. HSR15-34 DRAWING NO. CV-11102 SCALE AS SHOWN SHEET NO.
---	--	--	--	--

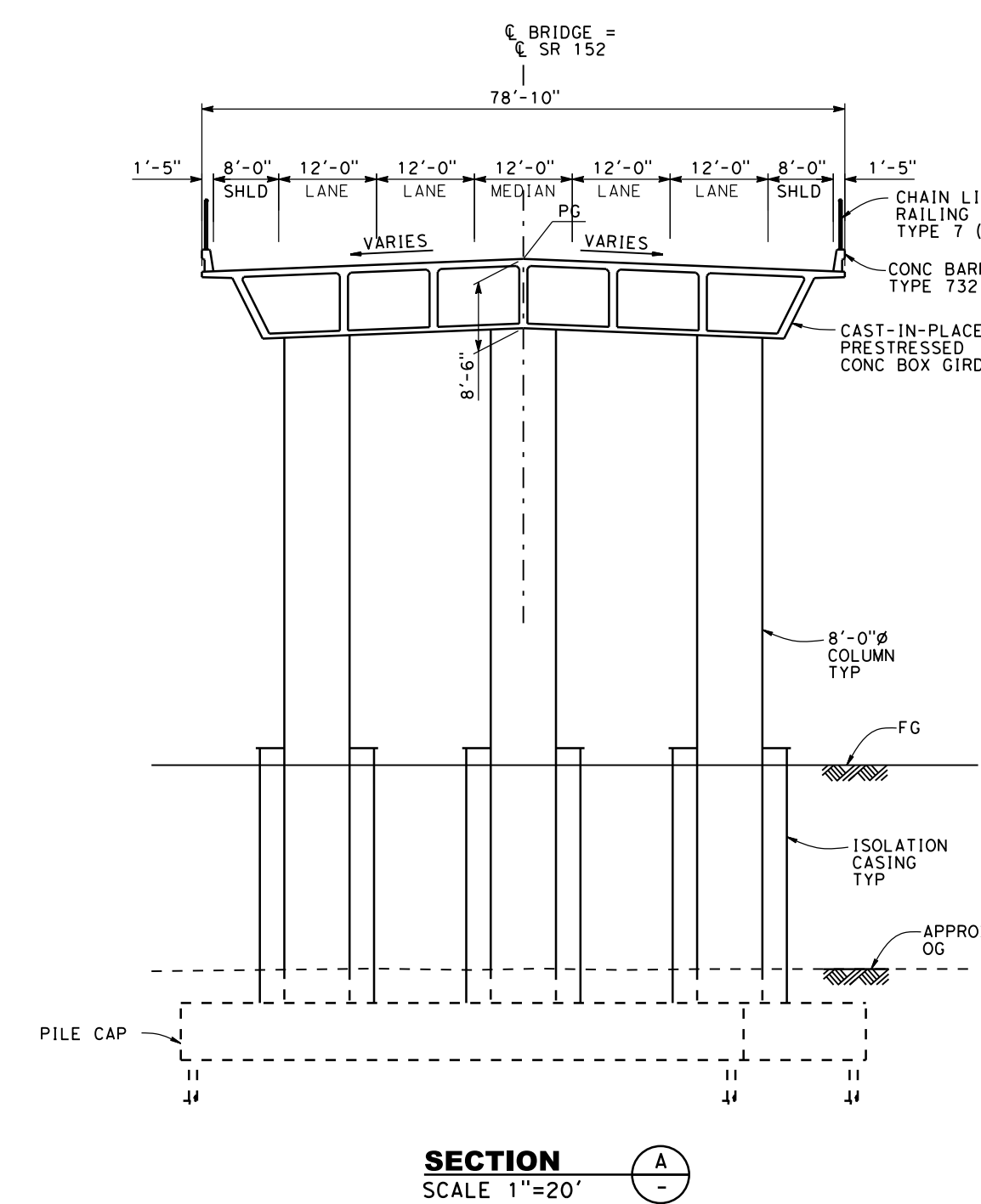


PLAN - SR152
SCALE: 1"=200'

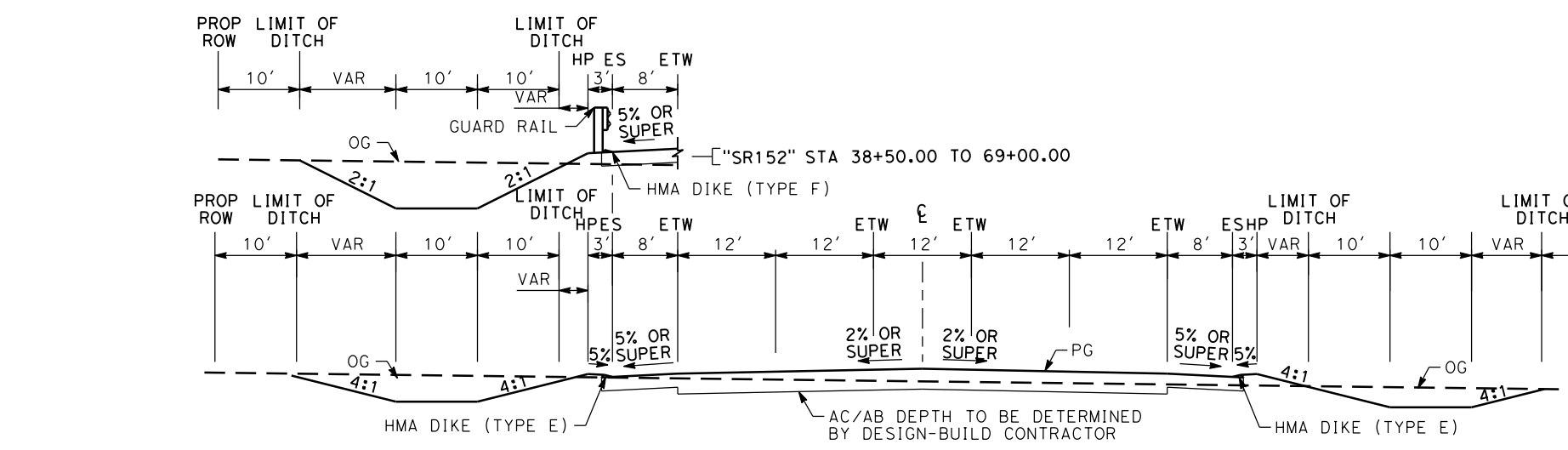


PROFILE - SR152
SCALE: 1"=200' HOR, 1"=100' VERT

NO.	R	A	PC	PT
1	1100	36°01'42.89"	691.699	357.715
2	1300	76°06'20.66"	1726.784	1017.605
3	1300	76°48'36.69"	1742.768	1030.556
4	1100	32°35'48.81"	625.815	321.63



SECTION A-A
SCALE 1"=20'



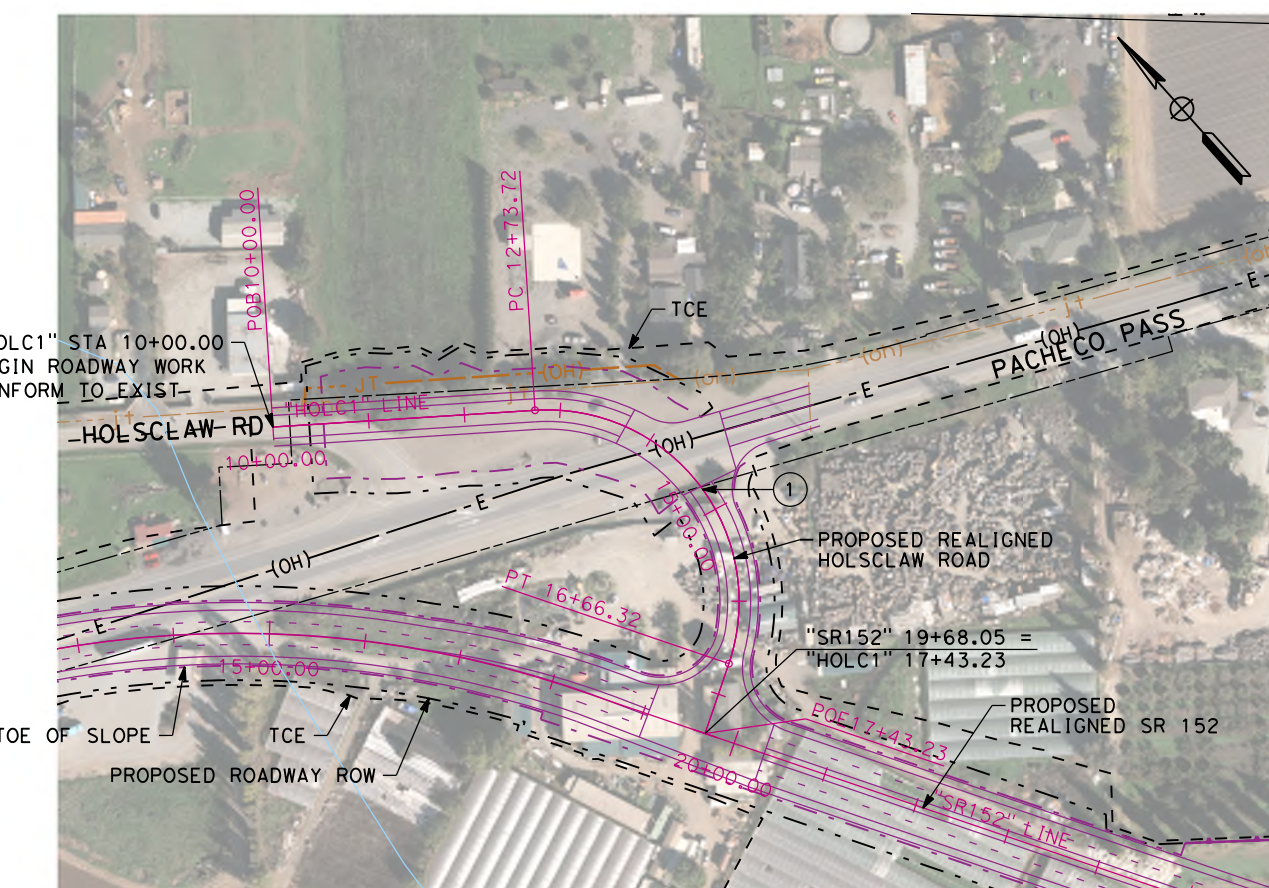
SR-152 TYPICAL SECTION
SCALE: 1"=20'
'SR152' STA 10+00.00 TO 'SR152' STA 82+56.40

SAN JOSE TO CVY EIR/S: VOLUME III
ALTERNATIVE 3
BOOK 3C
SHEET 99 OF 216

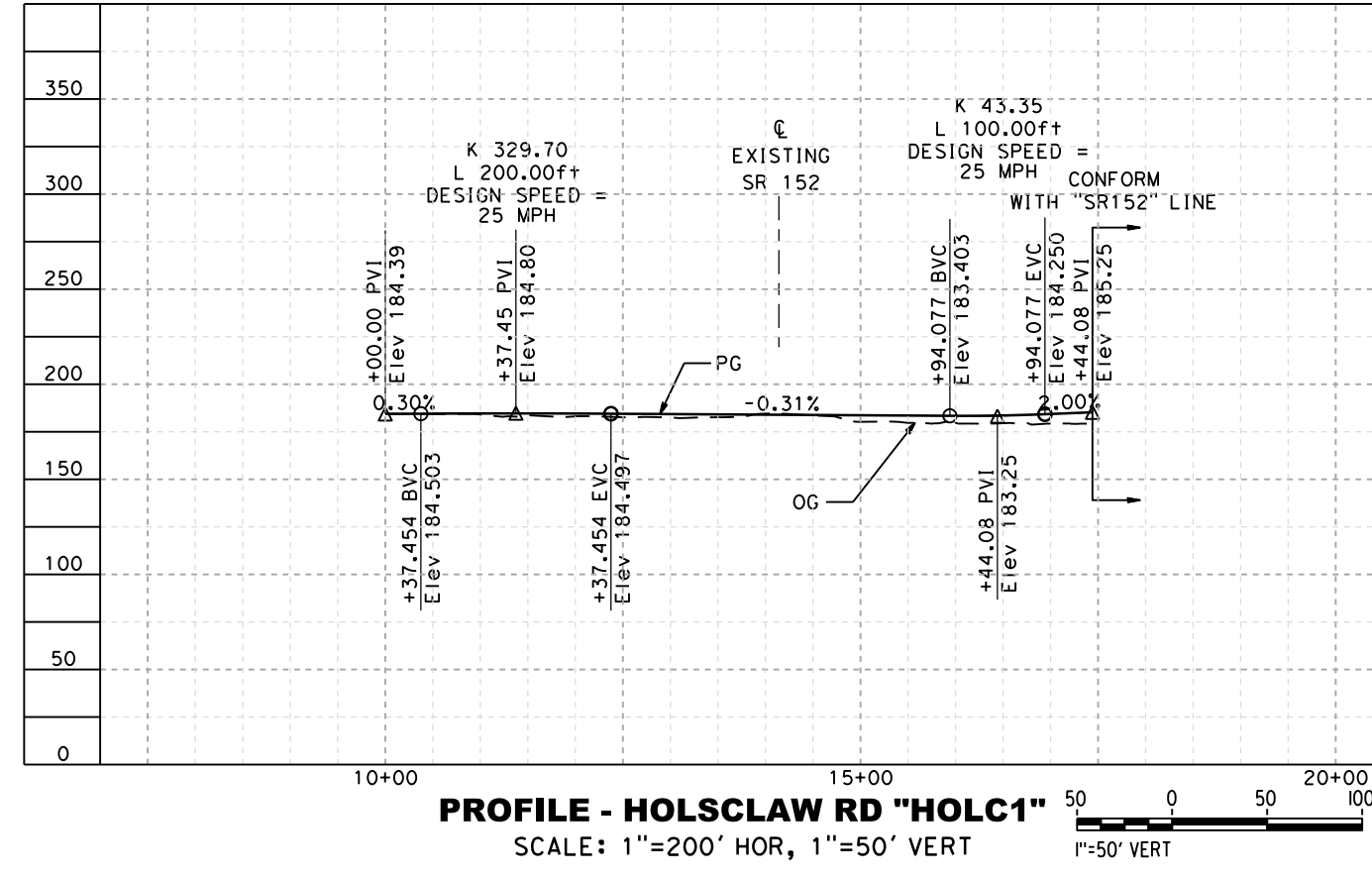
NOTE:
1. REFER TO GENERAL NOTES SHEETS GE-B0001 AND GE-B0002 FOR NOTES.

RECORD PERM SUBMITTAL MAY 3, 2019 NOT FOR CONSTRUCTION		1111 Broadway 9th Floor Oakland, CA 94607		CALIFORNIA HIGH-SPEED TRAIN PROJECT SAN JOSE TO MERCED MORGAN HILL AND GILROY VIADUCT TO EAST GILROY GRADE SEPARATION LAYOUT, PROFILE, & CROSS SECTIONS SR 152	CONTRACT NO. HSR15-34 DRAWING NO. CV-T1105 SCALE AS SHOWN SHEET NO.
--	--	---	--	--	--

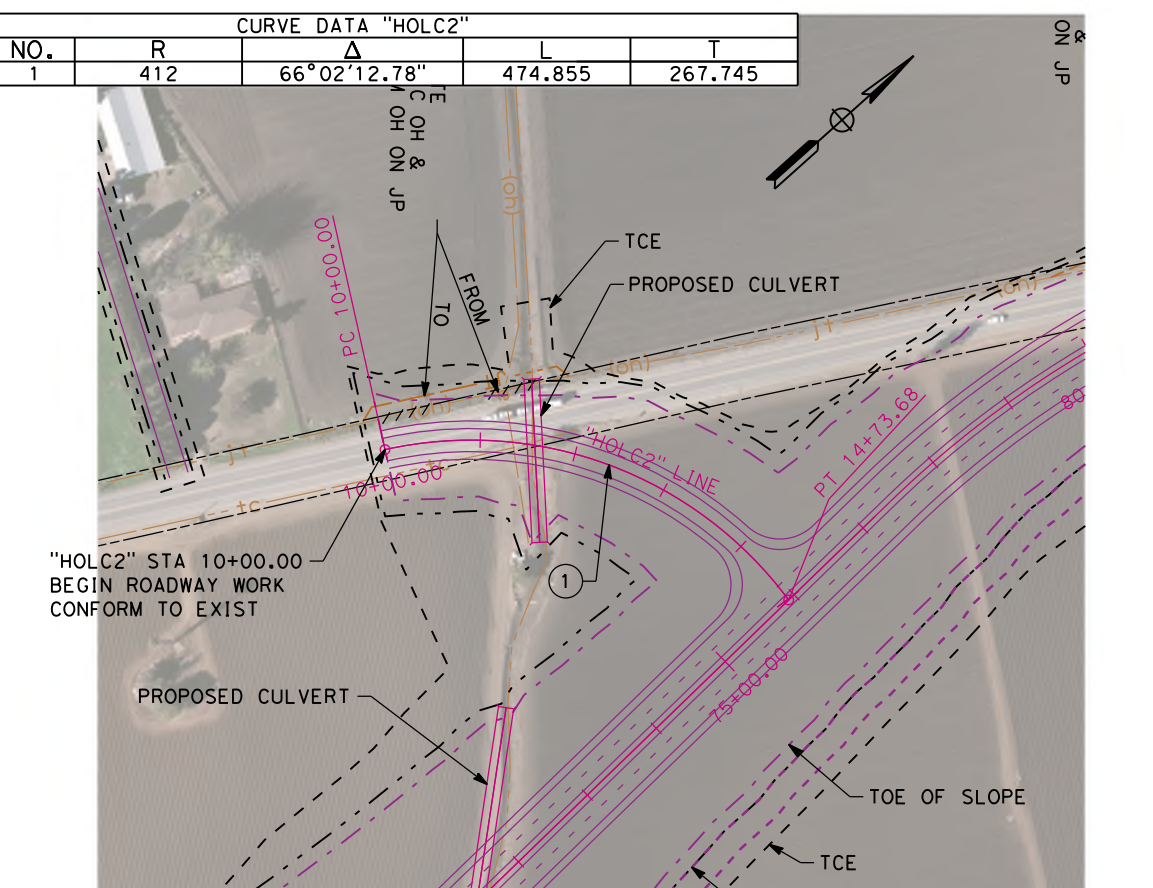
2/28/2019 3:17:04 PM C:\p0001\Drawings\Construction\40033\Construction\1022\Sub\SR-152-3\1106.dgn
 c:\p0001\Drawings\Construction\40033\Construction\1022\Sub\SR-152-3\1106.dgn
 cad:peff_bwp116163



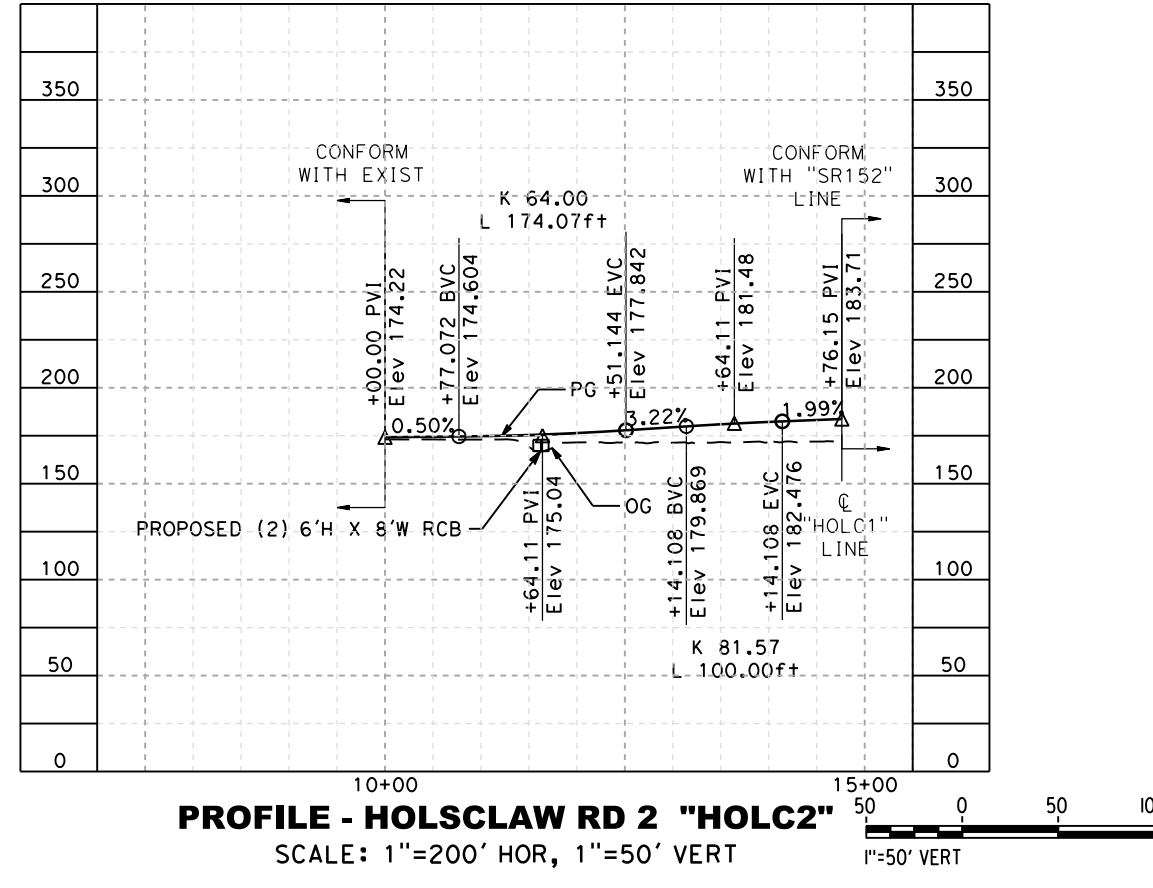
PLAN - HOLSCLAW RD "HOLC1"
SCALE: 1"=200'



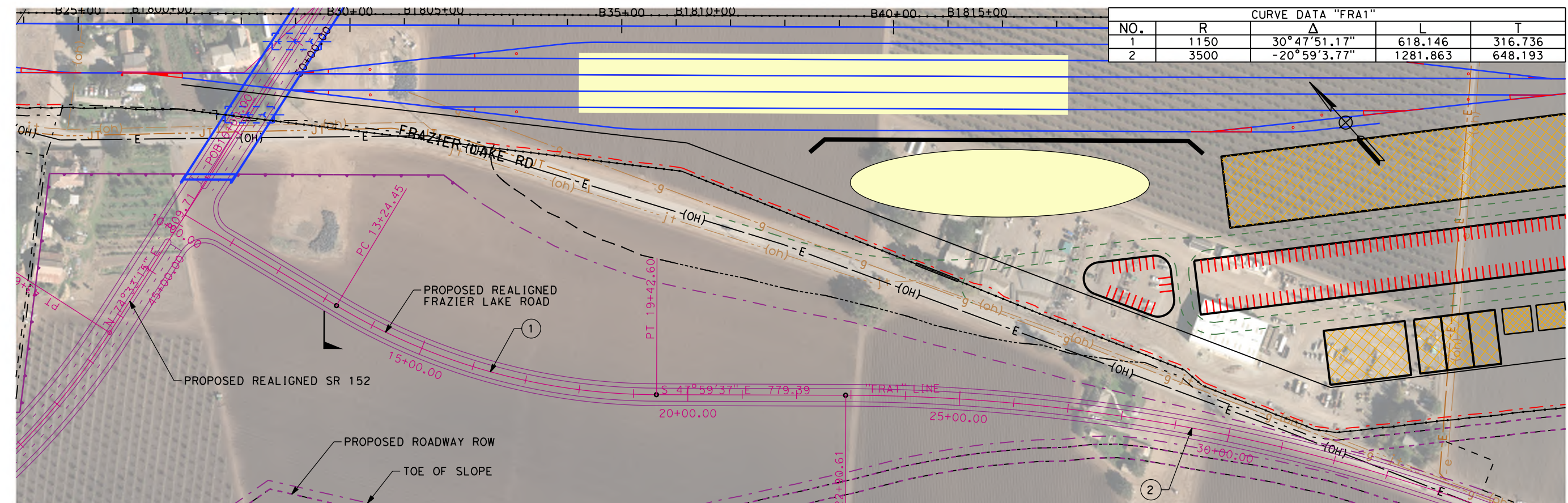
PROFILE - HOLSCLAW RD "HOLC1"
SCALE: 1"=200' HOR, 1"=50' VERT



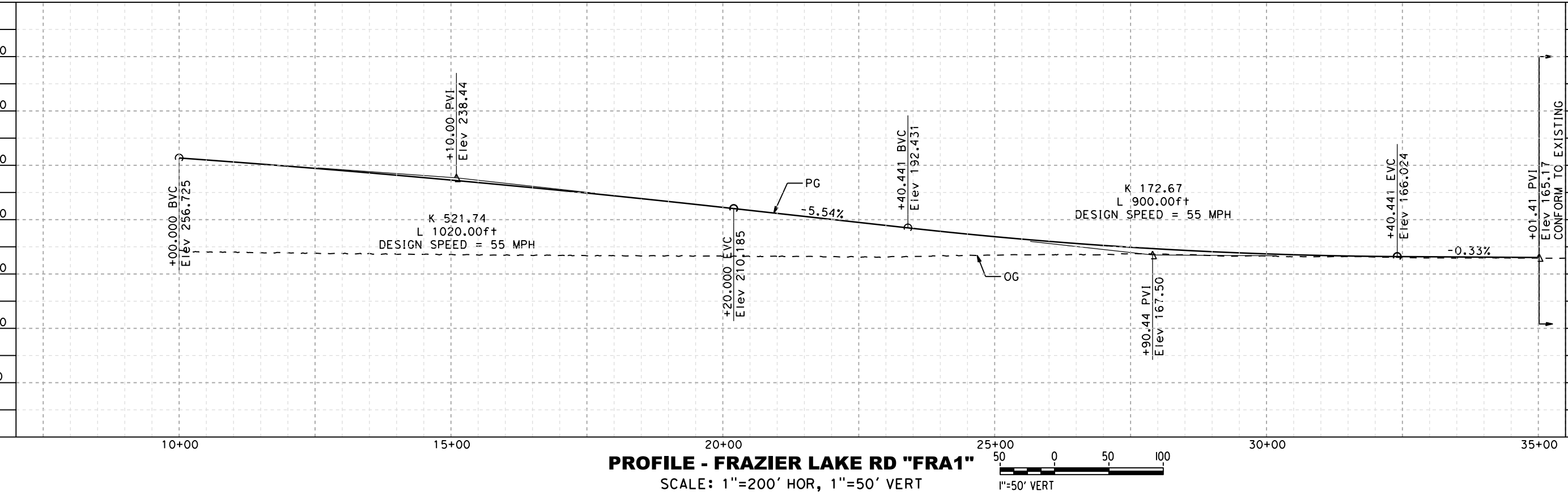
PLAN - HOLSCLAW RD 2 "HOLC2"
SCALE: 1"=200'



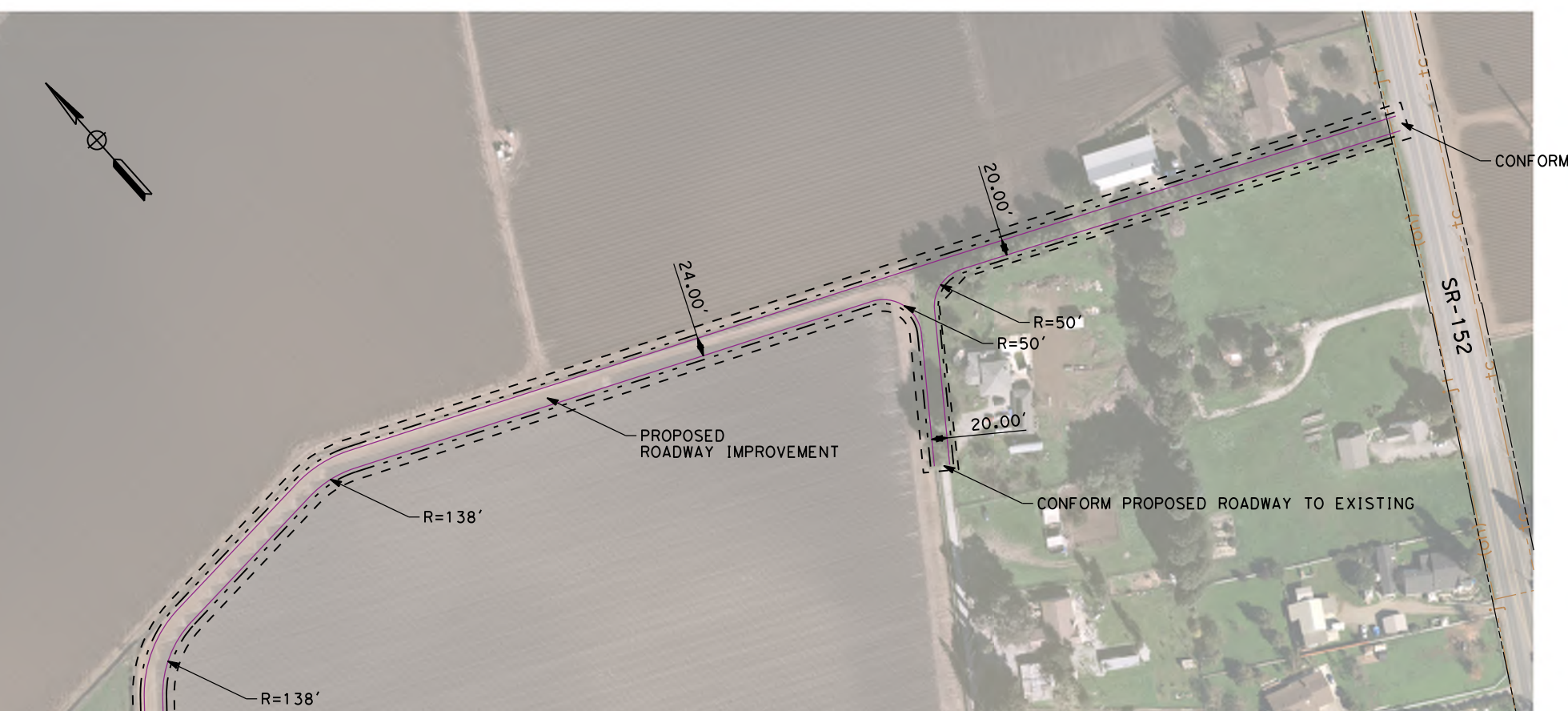
PROFILE - HOLSCLAW RD 2 "HOLC2"
SCALE: 1"=200' HOR, 1"=50' VERT



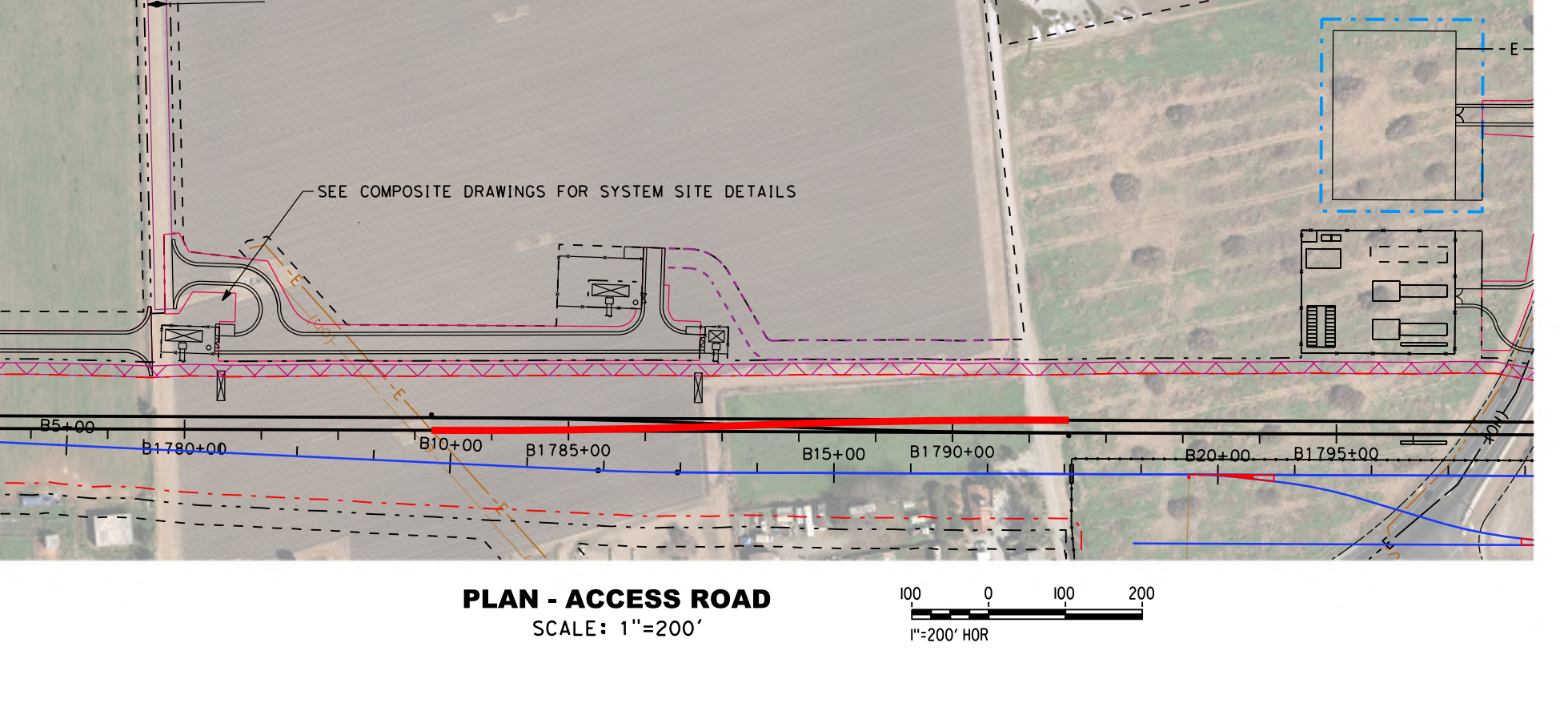
PLAN - FRAZIER LAKE RD "FRA1"
SCALE: 1"=200'



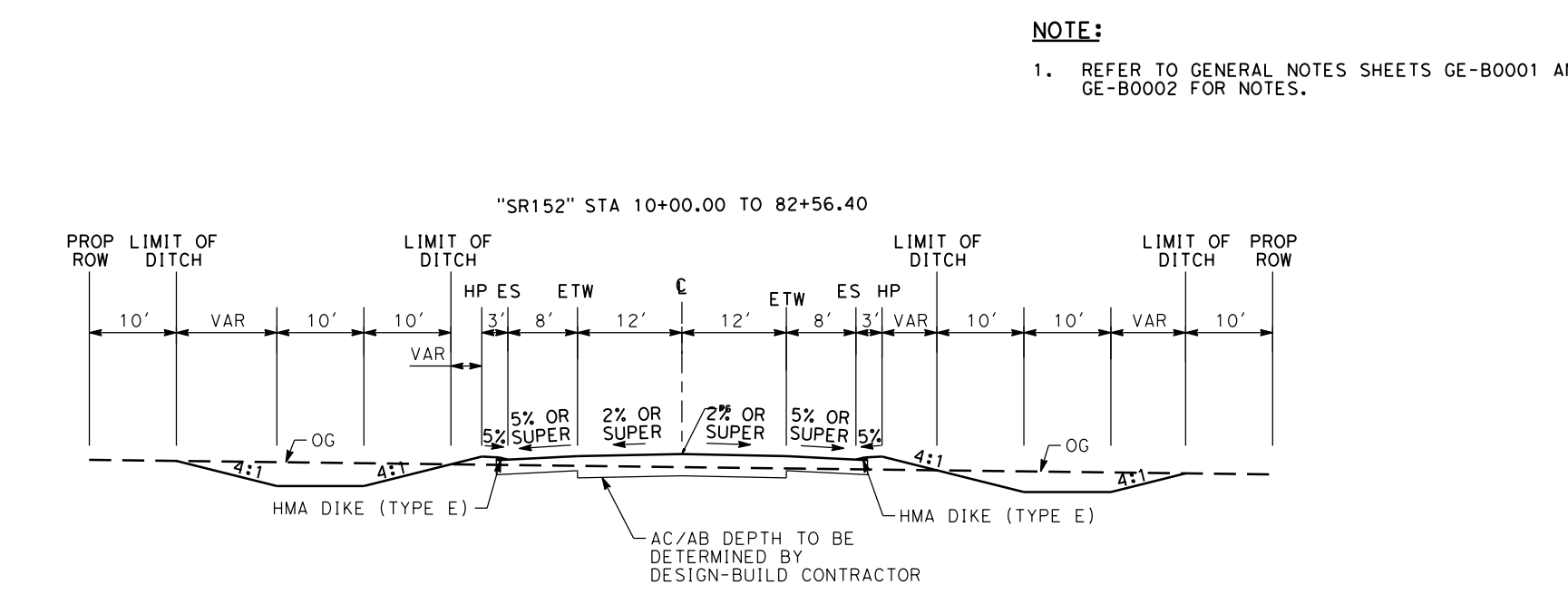
PROFILE - FRAZIER LAKE RD "FRA1"
SCALE: 1"=200' HOR, 1"=50' VERT



PLAN - ACCESS ROAD
SCALE: 1"=200'



PROFILE - ACCESS ROAD
SCALE: 1"=200' HOR, 1"=50' VERT



TYPICAL SECTION
SCALE: 1"=20'

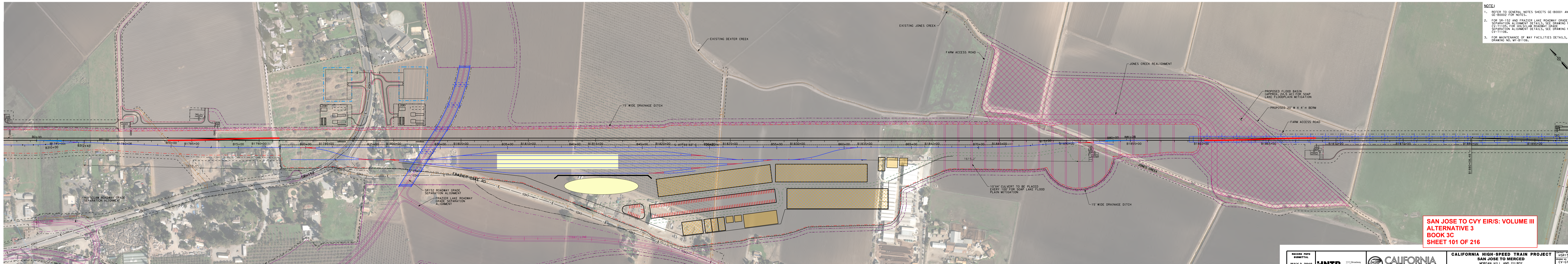


TYPICAL SECTION
SCALE: 1"=20'

SAN JOSE TO CVY EIR/S: VOLUME III
ALTERNATIVE 3
BOOK 3C
SHEET 100 OF 216

RECORD PERM SUBMITTAL MAY 3, 2019 NOT FOR CONSTRUCTION		1111 Broadway 9th Floor Oakland, CA 94607		CALIFORNIA HIGH-SPEED TRAIN PROJECT SAN JOSE TO MERCED MORGAN HILL AND GILROY VIADUCT TO EAST GILROY GRADE SEPARATION LAYOUT, PROFILE, & CROSS SECTIONS HOLC1 -2, SR 152-2, SR 152-3 AND FRAZIER LAKE ROAD	CONTRACT NO. HSR15-34 DRAWING NO. CV-11106 SCALE AS SHOWN SHEET NO.
--	--	---	--	---	---

4/29/2019 3:18:11 PM C:\Users\jrb\OneDrive\Documents\San Jose to Merced\CV-G1101\Drawings\CV-G1101-101.dwg



- NOTE:**
1. REFER TO GENERAL NOTES SHEETS GE-B0001 AND GE-B0002 FOR NOTES.
 2. FOR SR-152 AND FRAZIER LAKE ROADWAY GRADE SEPARATION ALIGNMENT DETAILS, SEE DRAWING NO. CV-T1105; FOR HOLSCLAW ROADWAY GRADE SEPARATION ALIGNMENT DETAILS, SEE DRAWING NO. CV-T1106.
 3. FOR MAINTENANCE OF WAY FACILITIES DETAILS, SEE DRAWING NO. MY-B1106.

**SAN JOSE TO CVY EIR/S: VOLUME III
ALTERNATIVE 3
BOOK 3C
SHEET 101 OF 216**

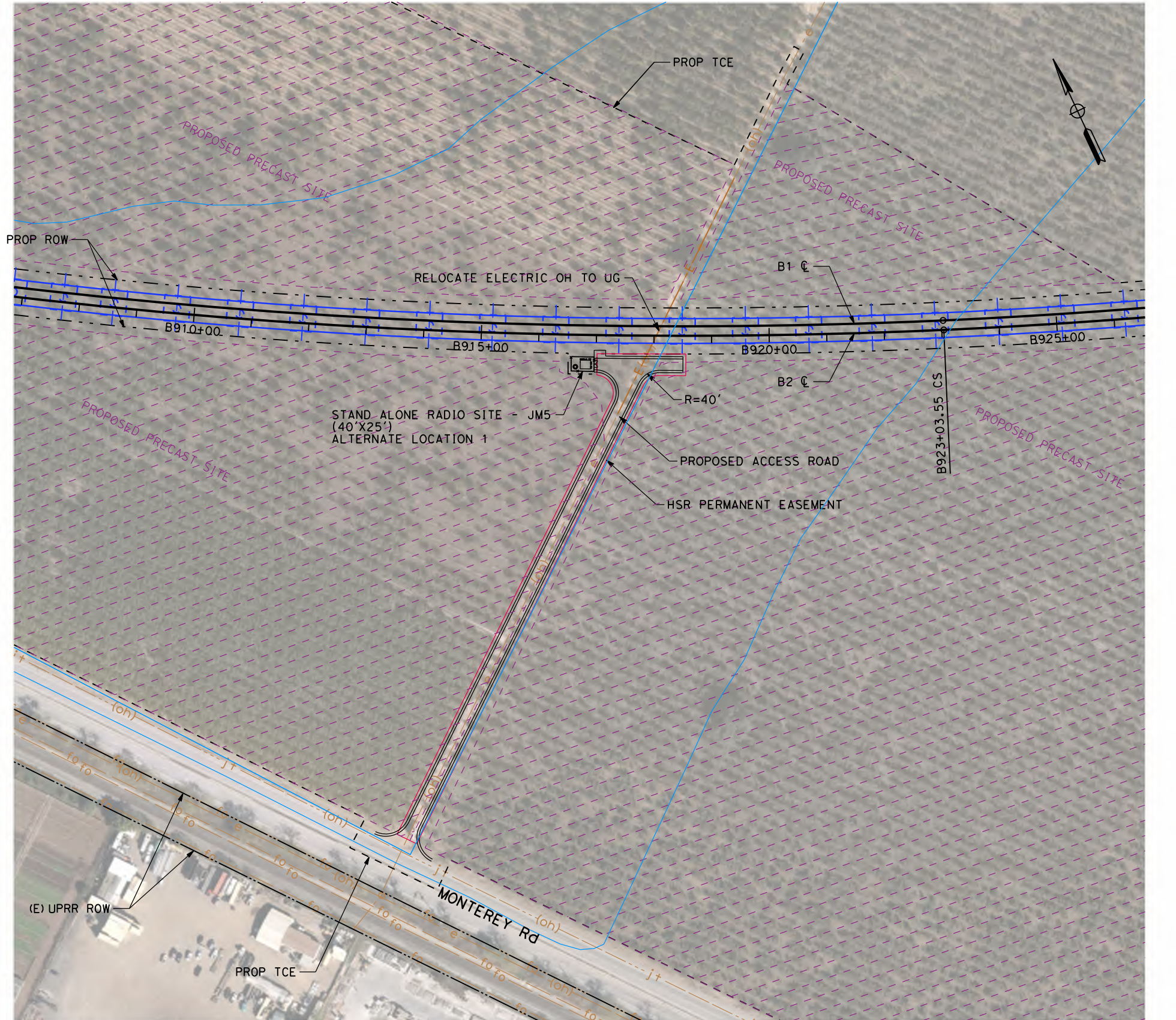
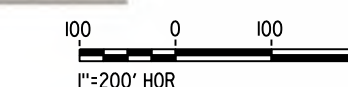
PLAN
SCALE: 1"=200'
1"=200' HOR

RECORD PERM SUBMITTAL MAY 3, 2019 NOT FOR CONSTRUCTION		1111 Broadway 9th Floor Oakland, CA 94607		CALIFORNIA HIGH-SPEED TRAIN PROJECT SAN JOSE TO MERCED MORGAN HILL AND GILROY VIADUCT TO EAST GILROY SOAP LAKE FLOOD PLAIN DETAIL	CONTRACT NO. HSR15-34 DRAWING NO. CV-G1101 SCALE AS SHOWN SHEET NO.
---	--	---	--	--	---

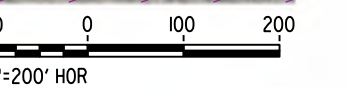
NOTE:
 1. REFER TO GENERAL NOTES SHEETS GE-B0001 AND GE-B0002 FOR NOTES.



**PROPOSED STAGE CONSTRUCTION STAGING AREA
 AT STA B707+59 TO STA B720+05**
 SCALE: 1"=200'



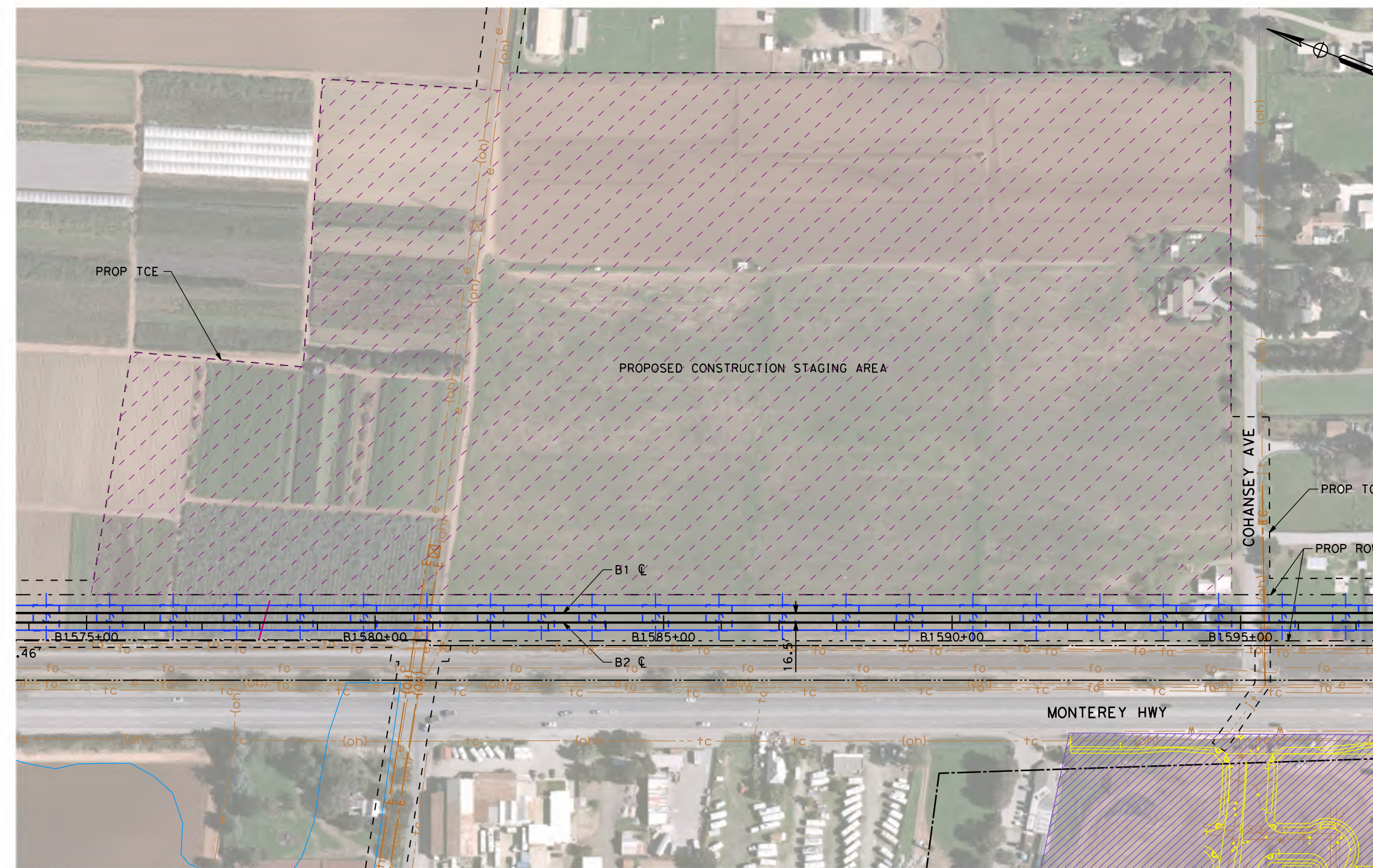
ACCESS ROAD TO MONTEREY ROAD
 SCALE: 1"=200'



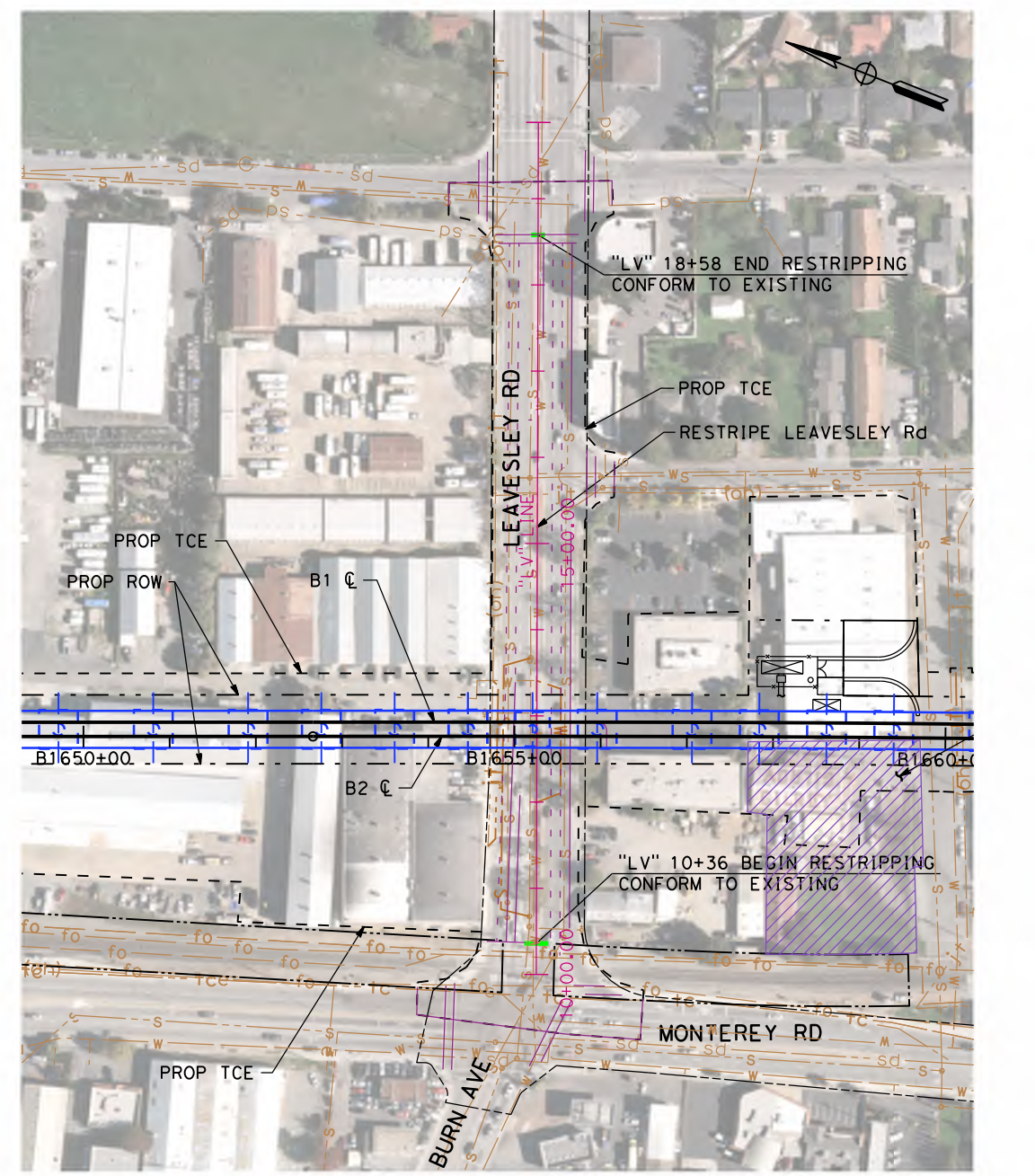
RECORD PERM SUBMITTAL MAY 3, 2019 NOT FOR CONSTRUCTION	HNTB 1111 Broadway 9th Floor Oakland, CA 94607		CALIFORNIA HIGH-SPEED TRAIN PROJECT SAN JOSE TO MERCED MORGAN HILL AND GILROY VIADUCT TO DOWNTOWN GILROY CIVIL DETAILS	CONTRACT NO.: HSR15-34 DRAWING NO.: CV-S0701 SCALE: AS SHOWN SHEET NO.:
--	--	--	---	--

**SAN JOSE TO CVY EIR/S: VOLUME III
 ALTERNATIVE 3
 BOOK 3C
 SHEET 102 OF 216**

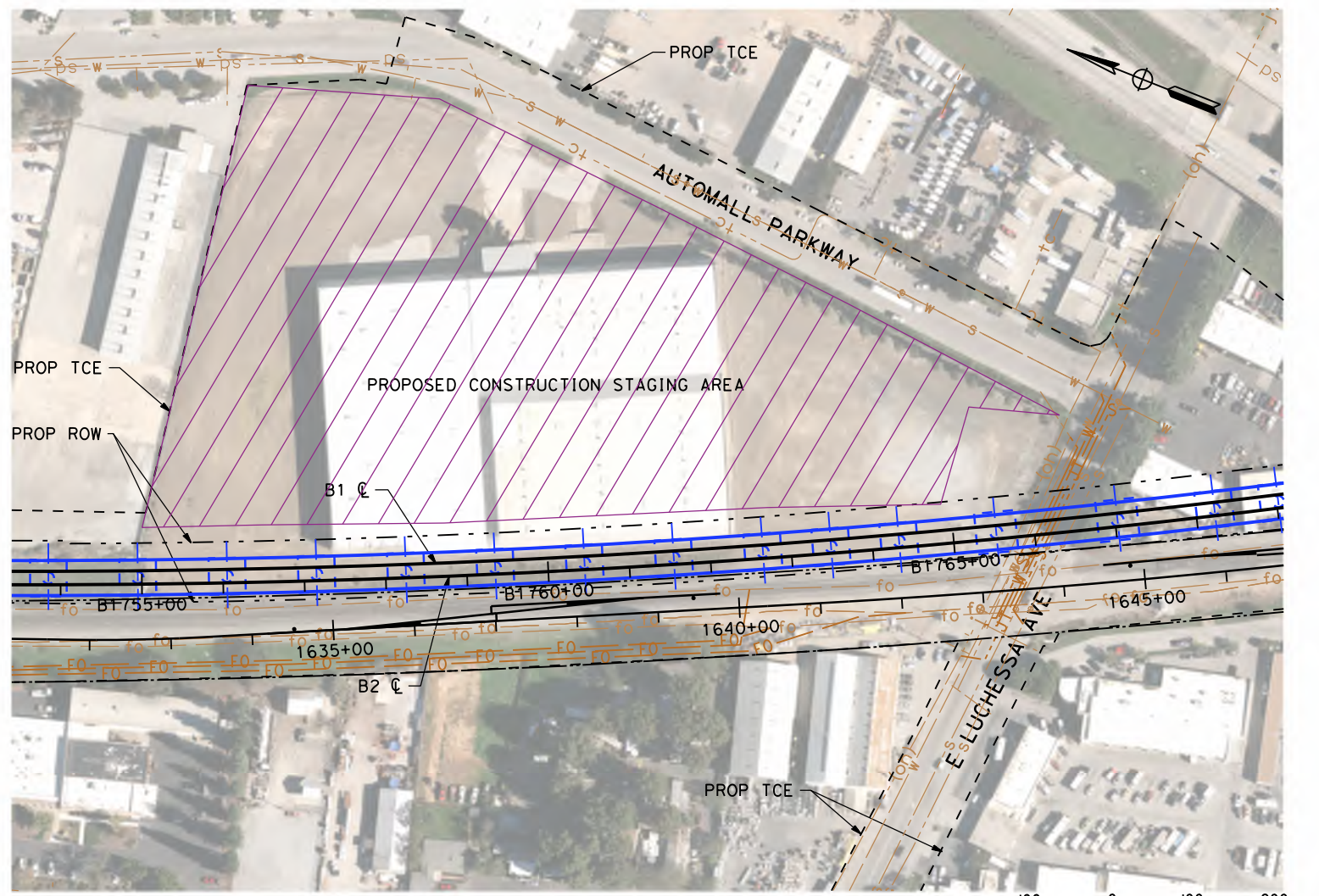
USER: DATE: TIME: #FILE: #LINES: #PAGES:



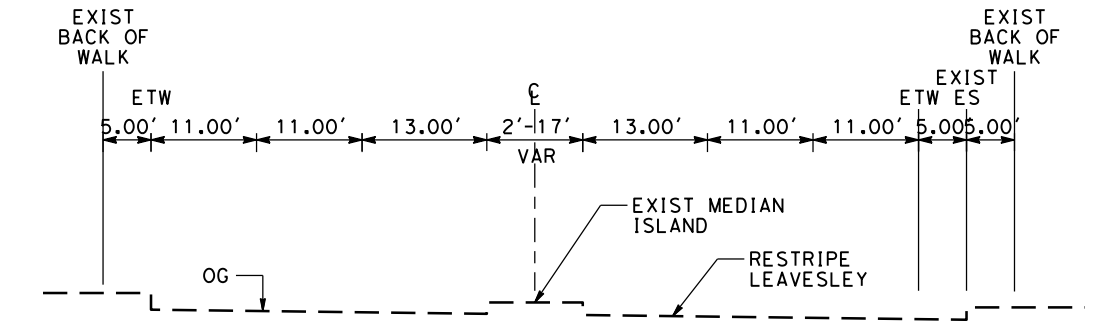
**STAGE CONSTRUCTION AREA
AT STA B1575+12 TO STA B1594+85**
SCALE: 1"=200'



PLAN LEAVESLEY ROAD
SCALE: 1"=200'



**STAGE CONSTRUCTION AREA
AT STA B1755+00 TO STA B1765+45**
SCALE: 1"=200'



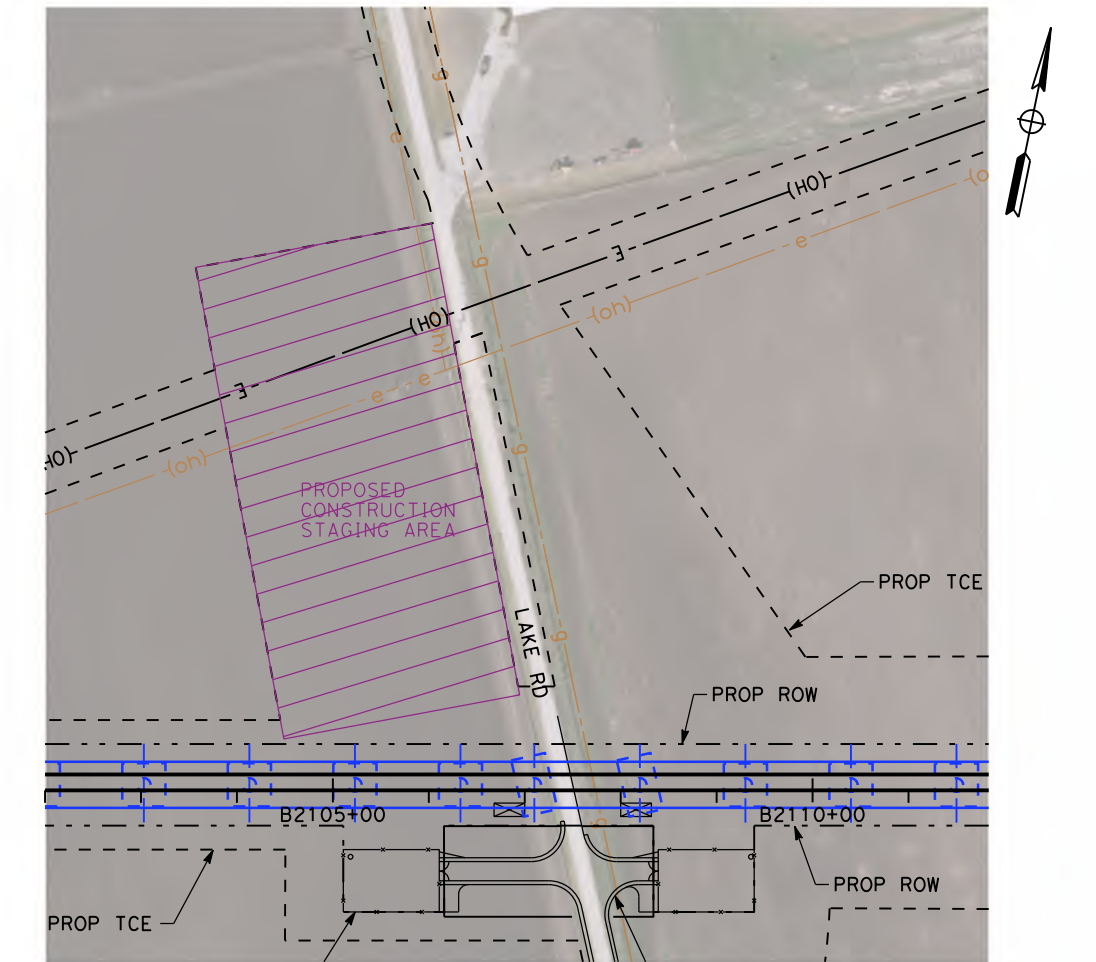
LEAVESLEY RD TYPICAL SECTION
SCALE: 1"=20'
"LV" STA 10+00.00 TO "LV" STA 19+19.79

NOTE:
1. REFER TO GENERAL NOTES SHEETS GE-B0001 AND GE-B0002 FOR NOTES.

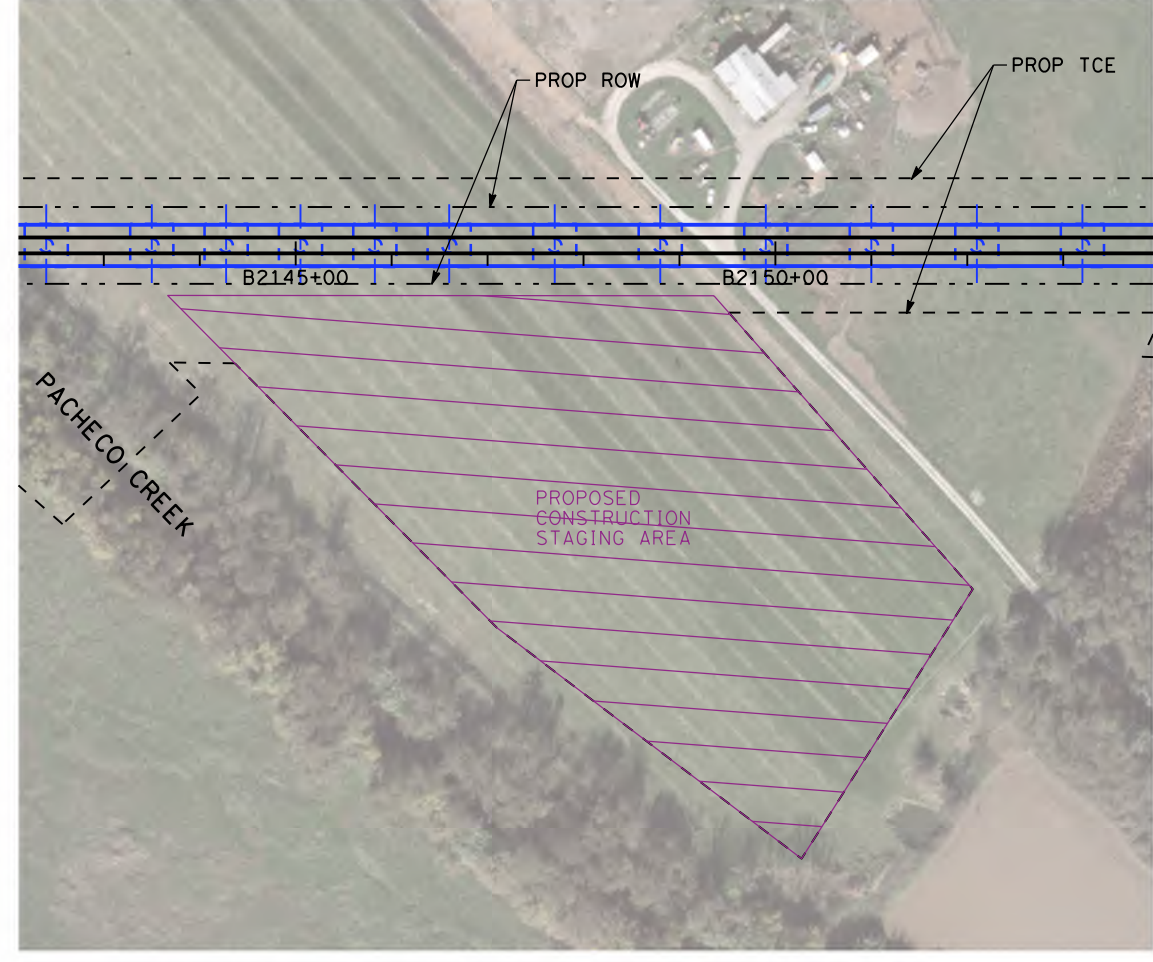
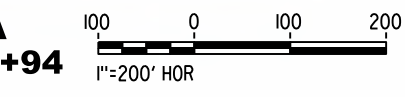
**SAN JOSE TO CVY EIR/S: VOLUME III
ALTERNATIVE 3
BOOK 3C
SHEET 103 OF 216**

RECORD PERM SUBMITTAL MAY 3, 2019 NOT FOR CONSTRUCTION		1111 Broadway 9th Floor Oakland, CA 94607		CALIFORNIA HIGH-SPEED TRAIN PROJECT SAN JOSE TO MERCED MORGAN HILL AND GILROY VIADUCT TO DOWNTOWN GILROY CIVIL DETAILS	CONTRACT NO. HSR15-35 DRAWING NO. CV-50901 SCALE AS SHOWN SHEET NO.
--	--	---	--	--	---

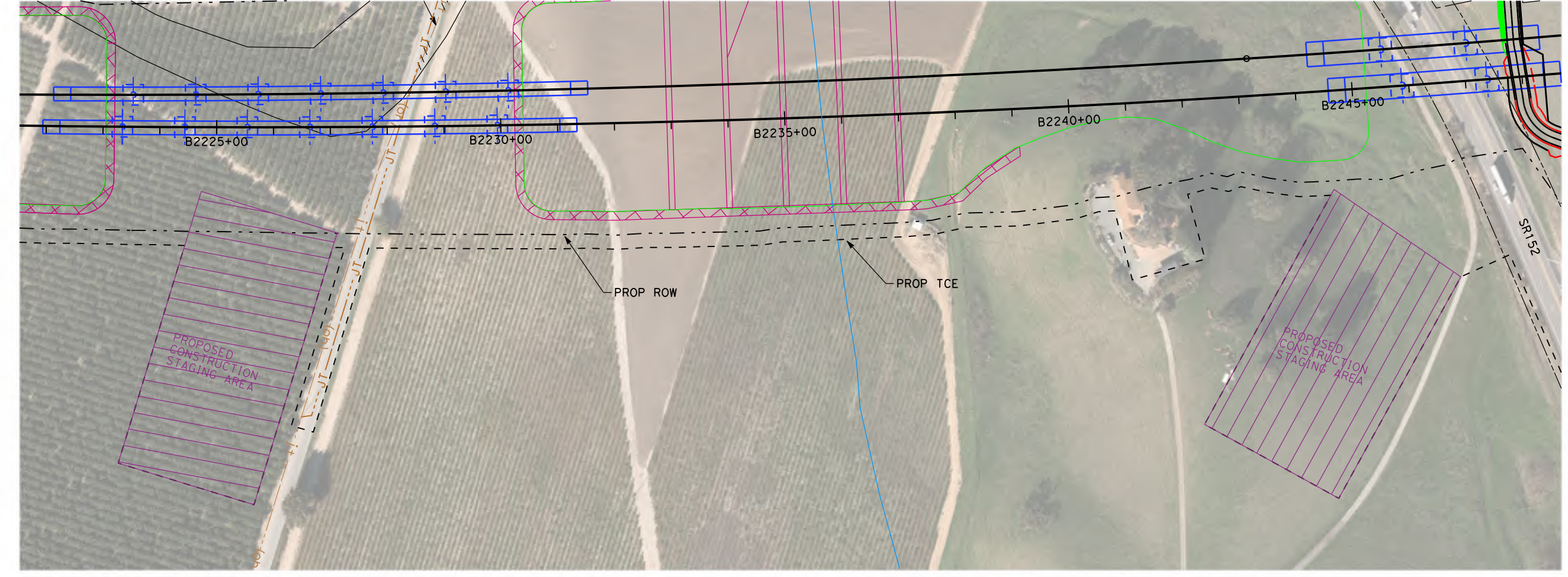
NOTES:
1. REFER TO GENERAL NOTES SHEETS GE-B0001 AND GE-B0002 FOR NOTES.



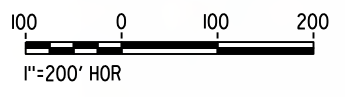
**STAGE CONSTRUCTION AREA
AT STA B2103+57 TO STA B2106+94**
SCALE: 1"=200'



**STAGE CONSTRUCTION AREA
AT STA B2143+67 TO STA B2152+06**
SCALE: 1"=200'



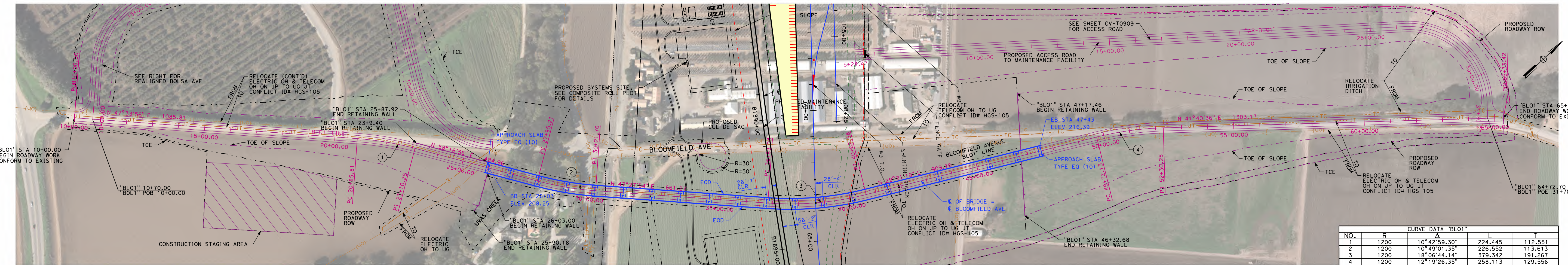
**STAGE CONSTRUCTION AREA
AT STA B2223+31 TO STA B2227+15
AT STA B2242+06 TO STA B2246+66**
SCALE: 1"=200'



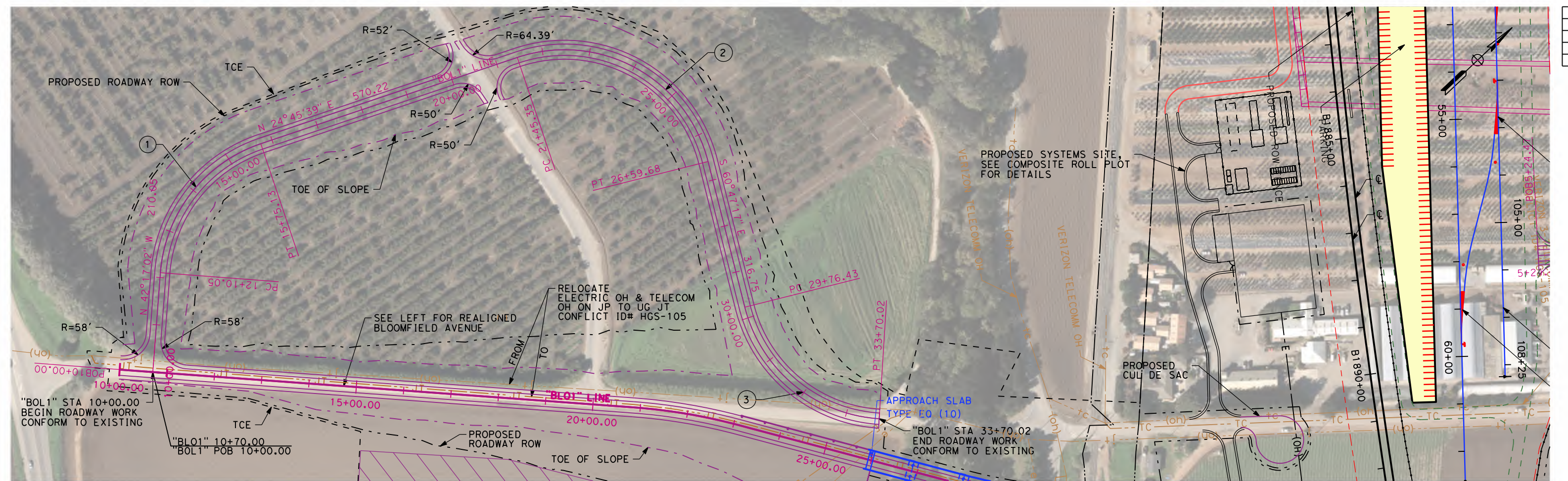
**SAN JOSE TO CVY EIR/S: VOLUME III
ALTERNATIVE 3
BOOK 3C
SHEET 104 OF 216**

RECORD PERM SUBMITTAL MAY 3, 2019 NOT FOR CONSTRUCTION		1111 Broadway 9th Floor Oakland, CA 94607		CALIFORNIA HIGH-SPEED TRAIN PROJECT SAN JOSE TO MERCED MORGAN HILL AND GILROY VIADUCT TO DOWNTOWN GILROY CIVIL DETAILS	CONTRACT NO. HSR15-36 DRAWING NO. CV-S1201 SCALE AS SHOWN SHEET NO.
--	--	---	--	--	---

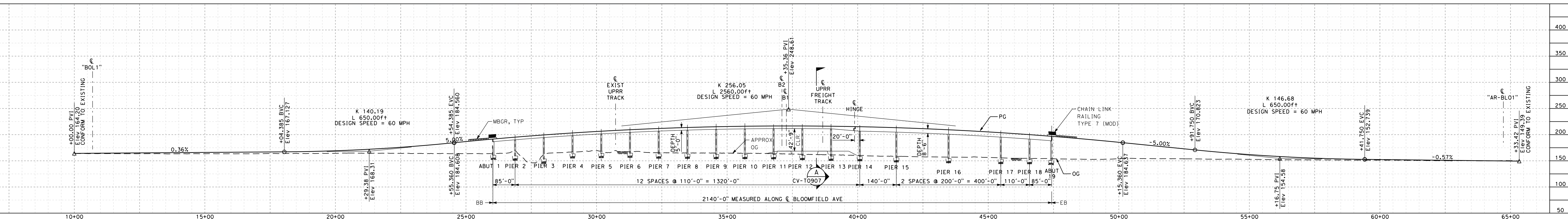
USER DATE TIME #LINE #LINE# #LINE#



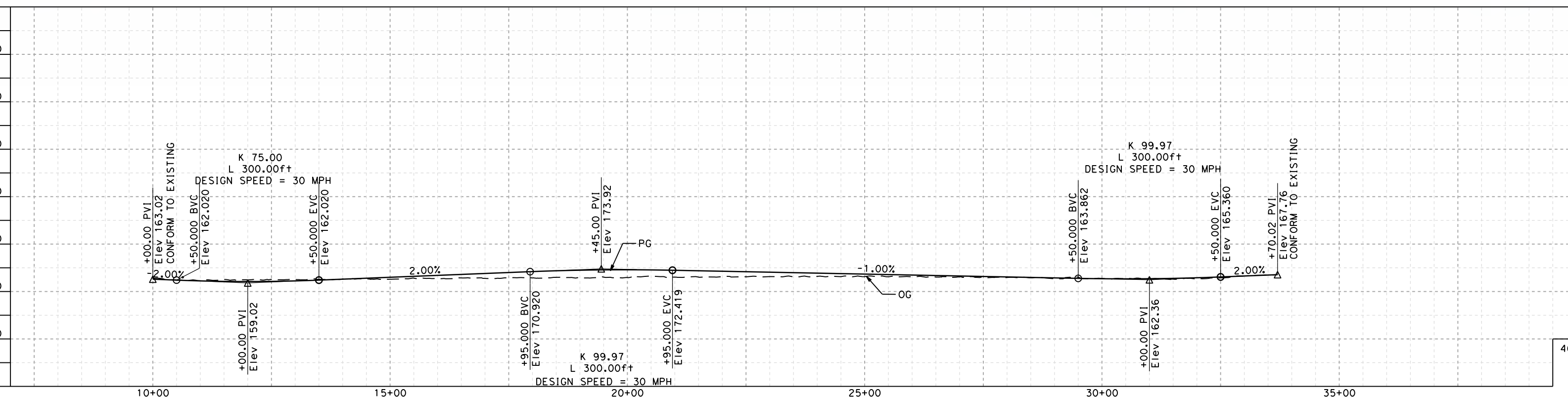
PLAN - BLOOMFIELD AVENUE "BLO1"
SCALE: 1"=200'



PLAN - BOLSA AVENUE "BOL1"
SCALE: 1"=100'

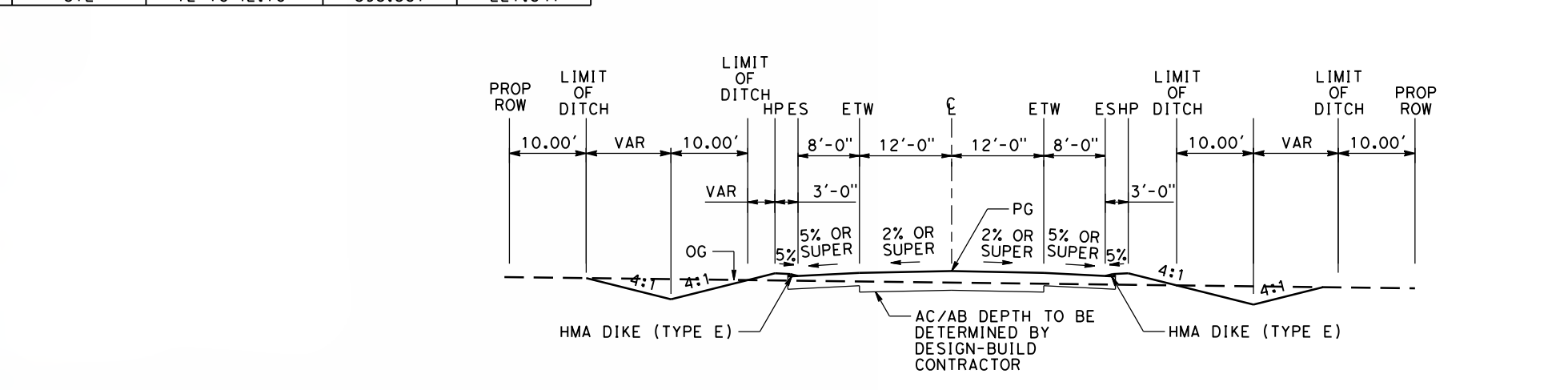


PROFILE - BLOOMFIELD AVENUE "BLO1"
SCALE: 1"=200' HOR, 1"=100' VERT

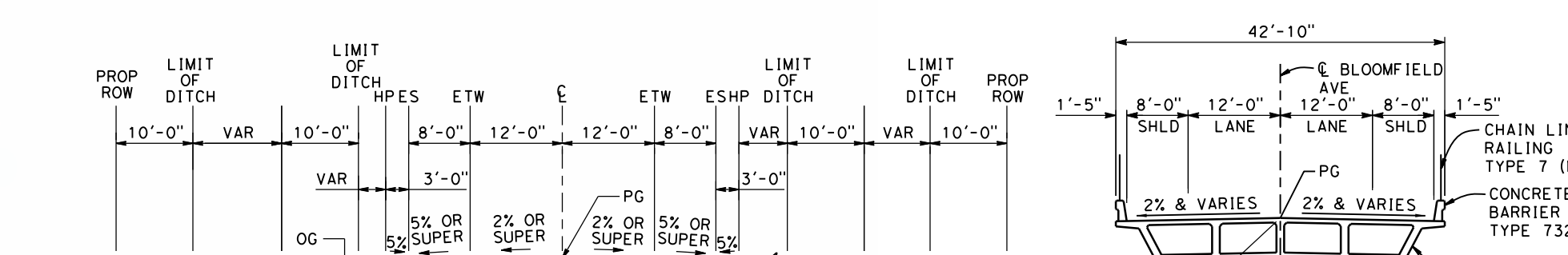


PROFILE - BOLSA AVENUE "BOL1"
SCALE: 1"=200' HOR, 1"=100' VERT

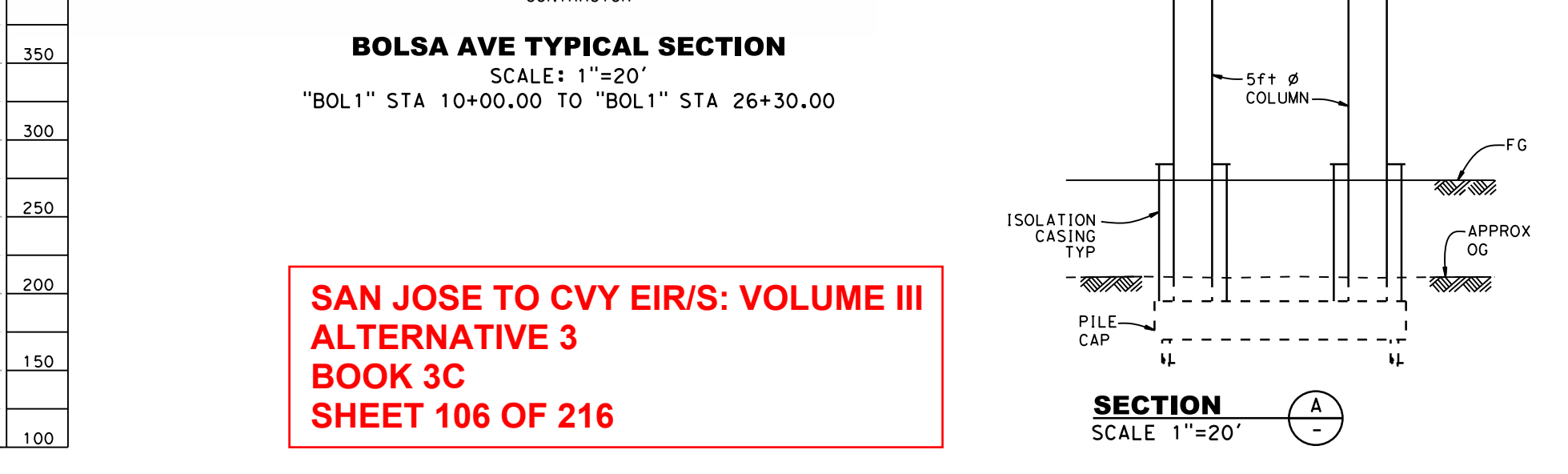
CURVE DATA "BOL1"				
NO.	R	Δ	L	T
1	312	67°02'20.61"	365.087	206.683
2	312	94°27'04.02"	514.327	337.231
3	312	72°16'42.16"	393.587	227.841



BLOOMFIELD AVE TYPICAL SECTION
SCALE: 1"=20'
"BLO1" STA 10+00.00 TO "BLO1" STA 52+02.31



BOLSA AVE TYPICAL SECTION
SCALE: 1"=20'
"BOL1" STA 10+00.00 TO "BOL1" STA 26+30.00



SECTION A-A
SCALE 1"=20'

SAN JOSE TO CVY EIR/S: VOLUME III
ALTERNATIVE 3
BOOK 3C
SHEET 106 OF 216

RECORD PERM SUBMITTAL
MAY 3, 2019
NOT FOR CONSTRUCTION

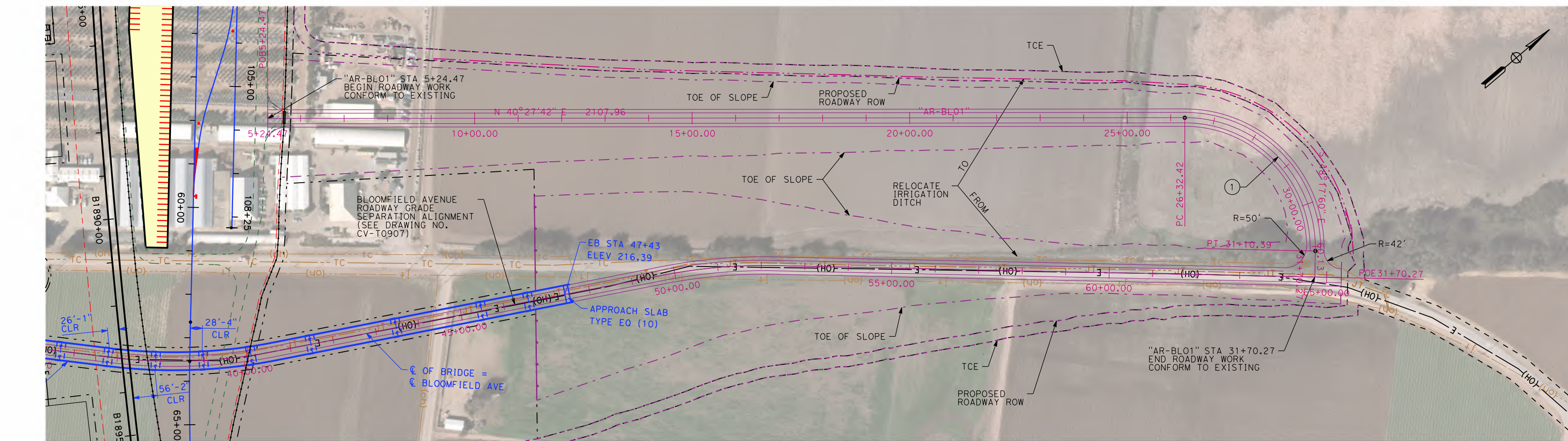
HNTB
1111 Broadway
9th Floor
Oakland, CA 94607

CALIFORNIA High-Speed Rail Authority

CALIFORNIA HIGH-SPEED TRAIN PROJECT
SAN JOSE TO MERCED
VIADUCT TO DOWNTOWN GILROY
GRADE SEPARATION LAYOUT, PROFILE, & CROSS SECTIONS
BOLSA ROAD AND BLOOMFIELD AVENUE

CONTRACT NO. HSR15-34
DRAWING NO. CV-T0907
SCALE AS SHOWN
SHEET NO.

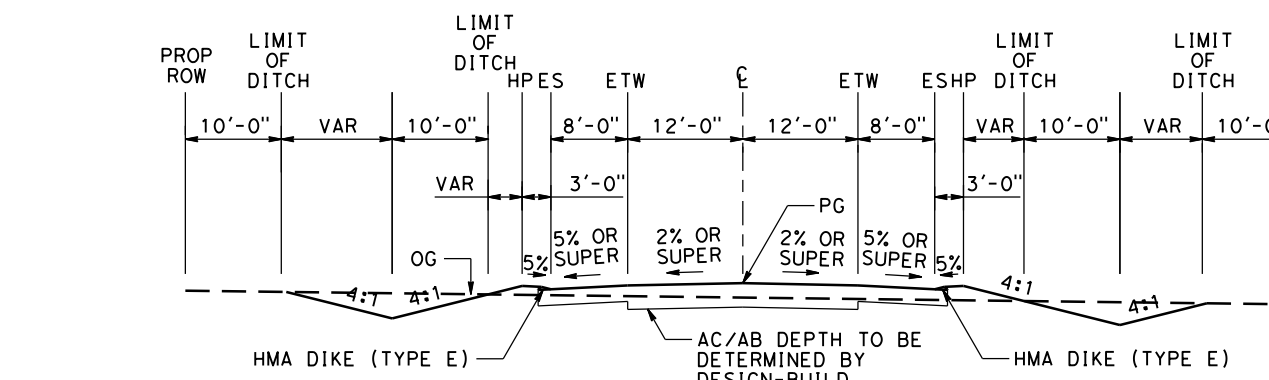
2/20/2019 4:35:45 PM C:\Users\jrb\OneDrive\Documents\2019\20190220\20190220.ctb C:\Users\jrb\OneDrive\Documents\2019\20190220\20190220.dwg



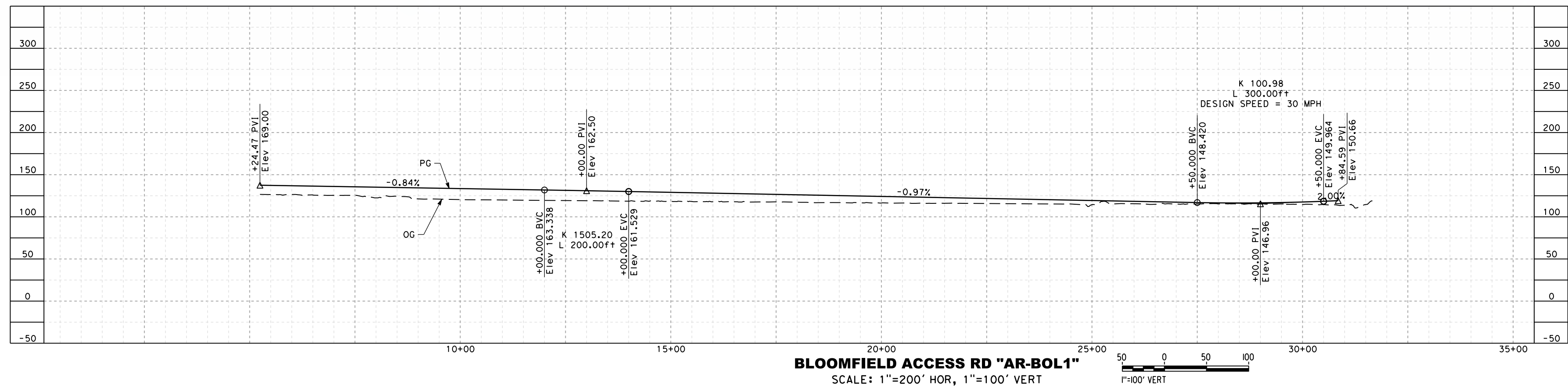
CURVE DATA "AR-BL01"				
NO.	R	Δ	L	E
1	300	91°14'18.58"	477.724	306.556

NOTE:
1. REFER TO GENERAL NOTES SHEETS GE-B0001 AND GE-B0002 FOR NOTES.

PLAN - BLOOMFIELD ACCESS RD "AR-BL01"
SCALE: 1"=200'



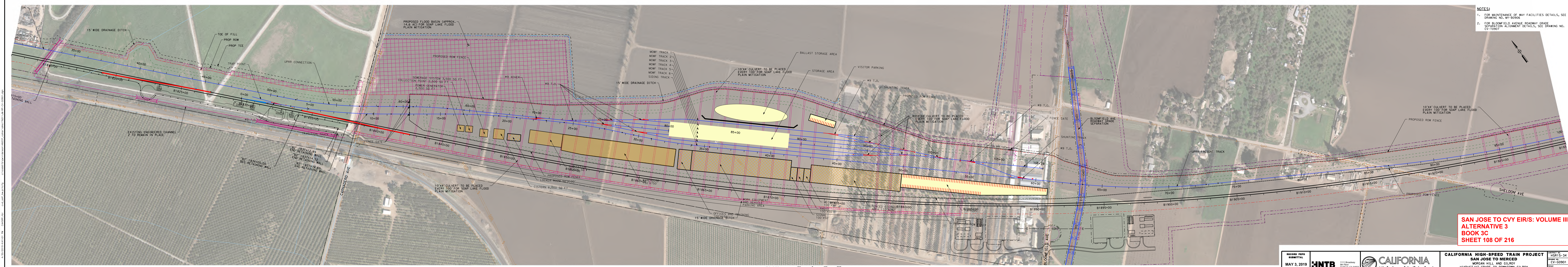
BLOOMFIELD ACCESS RD TYPICAL SECTION
SCALE: 1"=20'
"AR-BL01" STA 10+00.00 "AR-BL01" STA TO 30+84.59



BLOOMFIELD ACCESS RD "AR-BL01"
SCALE: 1"=200' HOR, 1"=100' VERT

SAN JOSE TO CVY EIR/S: VOLUME III
ALTERNATIVE 3
BOOK 3C
SHEET 107 OF 216

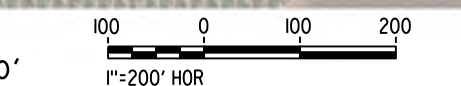
RECORD PERP SUBMITTAL MAY 3, 2019 NOT FOR CONSTRUCTION		1111 Broadway 9th Floor Oakland, CA 94607		CALIFORNIA HIGH-SPEED TRAIN PROJECT SAN JOSE TO MERCY MORGAN HILL AND GILROY VIADUCT TO DOWNTOWN GILROY GRADE SEPARATION LAYOUT, PROFILE, & CROSS SECTIONS BLOOMFIELD ACCESS ROAD	CONTRACT NO. HSR15-34 DRAWING NO. CV-T0909 SCALE AS SHOWN SHEET NO.
---	--	---	--	---	--



- NOTES:**
1. FOR MAINTENANCE OF WAY FACILITIES DETAILS, SEE DRAWING NO. MY-B0906
 2. FOR BLOOMFIELD AVENUE ROADWAY GRADE SEPARATION ALIGNMENT DETAILS, SEE DRAWING NO. CV-T0907

**SAN JOSE TO CVY EIR/S: VOLUME III
ALTERNATIVE 3
BOOK 3C
SHEET 108 OF 216**

PLAN
SCALE: 1"=200'



RECORD PERM SUBMITTAL MAY 3, 2019 NOT FOR CONSTRUCTION		1111 Broadway 9th Floor Oakland, CA 94607		CALIFORNIA HIGH-SPEED TRAIN PROJECT SAN JOSE TO MERCED MORGAN HILL AND GILROY VIADUCT AT-GRADE TO DOWNTOWN GILROY SOAP LAKE FLOOD PLAIN DETAIL	CONTRACT NO. HSR15-34 DRAWING NO. CV-G0901 SCALE AS SHOWN SHEET NO.
--	--	---	--	---	--

2/20/2019 4:41:01 PM C:\Users\jw\OneDrive\Documents\18261_Maps\CY-0901.dwg 2/20/2019 4:41:01 PM C:\Users\jw\OneDrive\Documents\18261_Maps\CY-0901.dwg