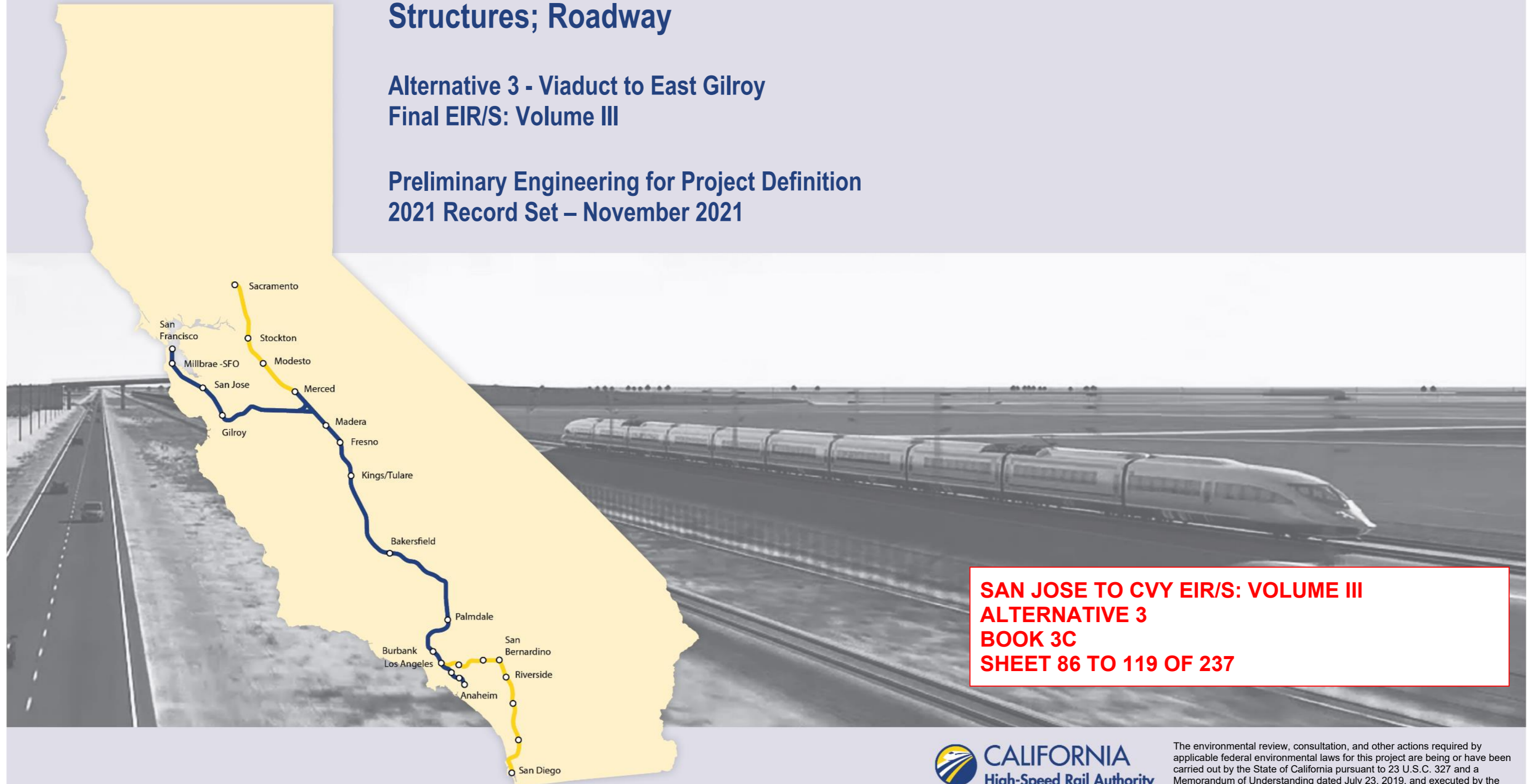


San Jose to Merced Project Section: San Jose to Central Valley Wye

Structures; Roadway

Alternative 3 - Viaduct to East Gilroy
Final EIR/S: Volume III

Preliminary Engineering for Project Definition
2021 Record Set – November 2021



**SAN JOSE TO CVY EIR/S: VOLUME III
ALTERNATIVE 3
BOOK 3C
SHEET 86 TO 119 OF 237**

ALTERNATIVE 3 - VIADUCT TO EAST GILROY

BOOK	SHEET NO	DRAWING NO	SUBSECTION	GEOGRAPHIC LOCATION	ALIGNMENT OR FEATURE	SHEET DESCRIPTION	ADDITIONAL DESCRIPTION
------	----------	------------	------------	---------------------	----------------------	-------------------	------------------------

COVER, INDEX OF DRAWING AND KEY MAPS

BOOK 3C	A	COVER	SAN JOSE TO MERCED SECTION	N/A	SAN JOSE TO CENTRAL VALLEY WYE	ALTERNATIVE 3	VIADUCT TO EAST GILROY
BOOK 3C	B	GE-A0304	ENTIRE ALTERNATIVE	COMPLEX STRUCTURES, GRADE SEPARATIONS	INDEX OF DRAWING	SHEET 4 OF 7	
BOOK 3C	C	GE-D0301	GENERAL	ENTIRE ALTERNATIVE	KEY MAP	COMPOSITE PLAN	
BOOK 3C	D	GE-D0302	GENERAL	ENTIRE ALTERNATIVE	KEY MAP	SYSTEMS SITES	

STRUCTURES

BOOK 3C	86	ST-V0151	SAN JOSE DIRIDON STATION APPROACH	W TAYLOR ST	VIADUCT TO I-880	COMPLEX STRUCTURES	GENERAL PLAN 1 OF 2
BOOK 3C	87	ST-V0152	SAN JOSE DIRIDON STATION APPROACH	W SANTA CLARA ST	VIADUCT TO I-880	COMPLEX STRUCTURES	GENERAL PLAN 2 OF 2
BOOK 3C	88	ST-T0151	SAN JOSE DIRIDON STATION APPROACH	UPRR T-13, W TAYLOR ST	VIADUCT TO I-880	OVERPASSES AND UNDERPASSES	HEDDING ST AND TAYLOR ST
BOOK 3C	89	ST-V0301	SAN JOSE DIRIDON STATION APPROACH	N/A	VIADUCT TO I-880	TYPICAL SECTIONS	SHEET 1 OF 3
BOOK 3C	90	ST-V0302	SAN JOSE DIRIDON STATION APPROACH	N/A	VIADUCT TO I-880	TYPICAL SECTIONS	SHEET 2 OF 3
BOOK 3C	91	ST-V0303	SAN JOSE DIRIDON STATION APPROACH	N/A	VIADUCT TO I-880	TYPICAL SECTIONS	SHEET 3 OF 3
BOOK 3C	92	ST-T0301	SAN JOSE DIRIDON STATION APPROACH	I-880, SR 85	VIADUCT TO I-880	CALTRANS STRUCTURES	GENERAL PLAN
BOOK 3C	93	ST-T0401	MONTEREY CORRIDOR	ALMADEN EXPY, CURTNER AVE	VIADUCT/AT-GRADE	OVERPASSES AND UNDERPASSES	GENERAL PLAN
BOOK 3C	94	ST-V0601	MONTEREY CORRIDOR	CAPITOL CALTRAIN, CAPITOL EXPY	VIADUCT	COMPLEX STRUCTURES	GENERAL PLAN 1 OF 2
BOOK 3C	95	ST-V0602	MONTEREY CORRIDOR	BLOSSOM HILL RD, BERNAL RD	VIADUCT	COMPLEX STRUCTURES	GENERAL PLAN 2 OF 2
BOOK 3C	96	ST-V0701	MORGAN HILL AND GILROY	BAILEY AVE, COCHRANE RD	VIADUCT TO DOWNTOWN GILROY	COMPLEX STRUCTURES	GENERAL PLAN 1 OF 2
BOOK 3C	97	ST-V0702	MORGAN HILL AND GILROY	US 101, LLAGAS CREEK	VIADUCT TO DOWNTOWN GILROY	COMPLEX STRUCTURES	GENERAL PLAN 2 OF 2
BOOK 3C	98	ST-T0701	MORGAN HILL AND GILROY	BAILEY AVE, I-5	VIADUCT TO DOWNTOWN GILROY	CALTRANS STRUCTURES	GENERAL PLAN
BOOK 3C	99	ST-V0901	MORGAN HILL AND GILROY	US 101	VIADUCT TO DOWNTOWN GILROY	COMPLEX STRUCTURES	GENERAL PLAN
BOOK 3C	100	ST-V1101	MORGAN HILL AND GILROY	US 101, LLAGAS CREEK	VIADUCT TO EAST GILROY	COMPLEX STRUCTURES	GENERAL PLAN
BOOK 3C	101	ST-V1401	PACHECO PASS	CALIFORNIA AQUEDUCT, CCID OUTSIDE CANAL	TUNNEL	COMPLEX STRUCTURES	GENERAL PLAN
BOOK 3C	102	ST-V1601	SAN JOAQUIN VALLEY	SAN LUIS WASTEWAY, LOS BANOS CREEK	HENRY MILLER ROAD	COMPLEX STRUCTURES	GENERAL PLAN

ROADWAY

SAN JOSE DIRIDON STATION APPROACH

BOOK 3C	103	CV-T0151	SAN JOSE DIRIDON STATION APPROACH	CHESTNUT AVE, ELM ST	VIADUCT TO I-880	PLAN, PROFILE AND TYPICAL SECTIONS	WEST HEDDING STREET
BOOK 3C	104	CV-T0152	SAN JOSE DIRIDON STATION APPROACH	W TAYLOR ST, COLEMAN AVE	VIADUCT TO I-880	PLAN, PROFILE AND TYPICAL SECTIONS	WEST TAYLOR STREET

MONTEREY CORRIDOR

BOOK 3C	105	CV-S0601	MONTEREY CORRIDOR	CAPITOL EXPY, BLOSSOM HILL RD	VIADUCT	CIVIL DETAILS	
BOOK 3C	106	CV-T0401	MONTEREY CORRIDOR	WILLOW ST, W ALMA AVE	VIADUCT/AT-GRADE	GRADE SEPARATION LAYOUT, PROFILE, & CROSS SECTIONS	SR87 ON-RAMP
BOOK 3C	107	CV-T0402	MONTEREY CORRIDOR	CURTNER AVE	VIADUCT/AT-GRADE	GRADE SEPARATION LAYOUT, PROFILE, & CROSS SECTIONS	ALMADEN ROAD AND CURTNER AVENUE

MONTEREY CORRIDOR

BOOK 3C	108	CV-S1101	MORGAN HILL AND GILROY	COHANSEY AVE, LAS ANIMAS AVE	VIADUCT TO EAST GILROY	CIVIL DETAILS	
BOOK 3C	109	CV-T1102	MORGAN HILL AND GILROY	LAS ANIMAS AVE, LEAVESLEY RD	VIADUCT TO EAST GILROY	GRADE SEPARATION LAYOUT, PROFILE, & CROSS SECTIONS	LAS ANIMAS AVE AND LEAVESLEY RD
BOOK 3C	110	CV-T1105	MORGAN HILL AND GILROY	SR 152	VIADUCT TO EAST GILROY	GRADE SEPARATION LAYOUT, PROFILE, & CROSS SECTIONS	SR 152
BOOK 3C	111	CV-T1106	MORGAN HILL AND GILROY	HOLSCLAW RD, FRAZIER LAKE RD	VIADUCT TO EAST GILROY	GRADE SEPARATION LAYOUT, PROFILE, & CROSS SECTIONS	HOLC1 -2, SR 152-2 AND FRAZIER LAKE ROAD
BOOK 3C	112	CV-G1101	MORGAN HILL AND GILROY	SR 152	VIADUCT TO EAST GILROY	SOAP LAKE FLOOD PLAIN	DETAIL

MORGAN HILL AND GILROY

BOOK 3C	113	CV-S0701	MORGAN HILL AND GILROY	ACCESS RD TO MONTEREY RD	VIADUCT TO DOWNTOWN GILROY	CIVIL DETAILS	
BOOK 3C	114	CV-S0901	MORGAN HILL AND GILROY	COHANSEY AVE, E LUCHESSA AVE	VIADUCT TO DOWNTOWN GILROY	CIVIL DETAILS	
BOOK 3C	115	CV-S1201	MORGAN HILL AND GILROY	LAKE RD, SR 152	VIADUCT TO DOWNTOWN GILROY	CIVIL DETAILS	
BOOK 3C	116	CV-T0704	MORGAN HILL AND GILROY	N/A	VIADUCT TO DOWNTOWN GILROY	GRADE SEPARATION LAYOUT, PROFILE, & CROSS SECTIONS	MONTEREY ROAD
BOOK 3C	117	CV-T0907	MORGAN HILL AND GILROY	BLOOMFIELD AVE, BOLSA AVE	VIADUCT TO DOWNTOWN GILROY	GRADE SEPARATION LAYOUT, PROFILE, & CROSS SECTIONS	BOLSA ROAD AND BLOOMFIELD AVENUE
BOOK 3C	118	CV-T0909	MORGAN HILL AND GILROY	BLOOMFIELD ACCESS RD	VIADUCT TO DOWNTOWN GILROY	GRADE SEPARATION LAYOUT, PROFILE, & CROSS SECTIONS	BLOOMFIELD ACCESS ROAD
BOOK 3C	119	CV-G0901	MORGAN HILL AND GILROY	CARNADERO AVE, SHELDON AVE	VIADUCT/AT-GRADE TO DOWNTOWN GILROY	SOAP LAKE FLOOD PLAIN	DETAIL

**SAN JOSE TO CVY EIR/S: VOLUME III
ALTERNATIVE 3
BOOK 3C
SHEET B**

11/29/2021 4:28:06 PM CAHSRP.tbl printer.plt c:\voad\lib\pwh\hntb_josyang_46037_cahsr\dms22197\JM-GE-A0304.dgn josyang

REV	DATE	BY	CHK	APP	DESCRIPTION

DESIGNED BY	
DRAWN BY	
CHECKED BY	
IN CHARGE	
DATE	

2021 RECORD SET
PEPD
NOVEMBER 30, 2021
NOT FOR CONSTRUCTION

HNTB
1111 Broadway
9th Floor
Oakland, CA 94607

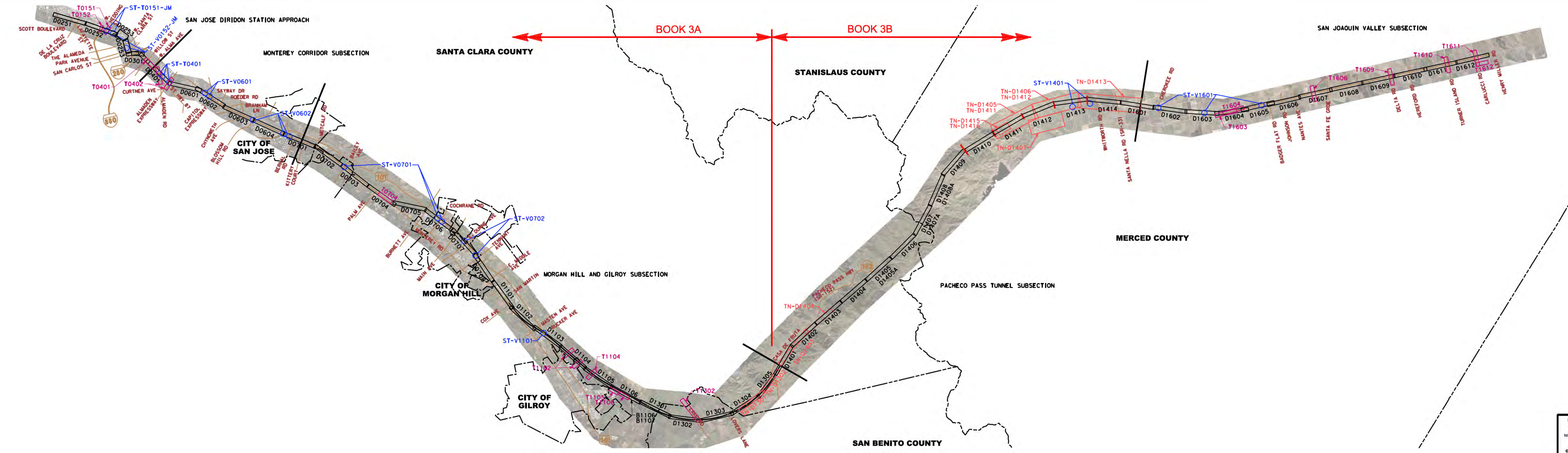


CALIFORNIA HIGH-SPEED TRAIN PROJECT
SAN JOSE TO MERCED
ALTERNATIVE 3
INDEX OF DRAWING
SHEET 4 OF 7

CONTRACT NO.	HSR15-34
DRAWING NO.	GE-A0304
SCALE	NONE
SHEET NO.	

ALTERNATIVE 3 BOOK INDEX

- BOOK 3A: COMPOSITE PLAN, PROFILE AND CROSS SECTIONS
- BOOK 3B: COMPOSITE PLAN, PROFILE AND CROSS SECTIONS, STATIONS
- BOOK 3C: STRUCTURES, ROADWAY
- BOOK 3D: ROADWAY, MAINTENANCE OF WAY, TUNNELS - PACHECO PASS
- BOOK 3E: CONSTRUCTION STAGING
- BOOK 3F: ALIGNMENT DATA TABLES



BOOK 3A BOOK 3B

NOTE:
ALTERNATIVE KEY MAP SHOWN SIDE BY SIDE FOR CLARITY.

LEGEND
KEY MAP LEGEND

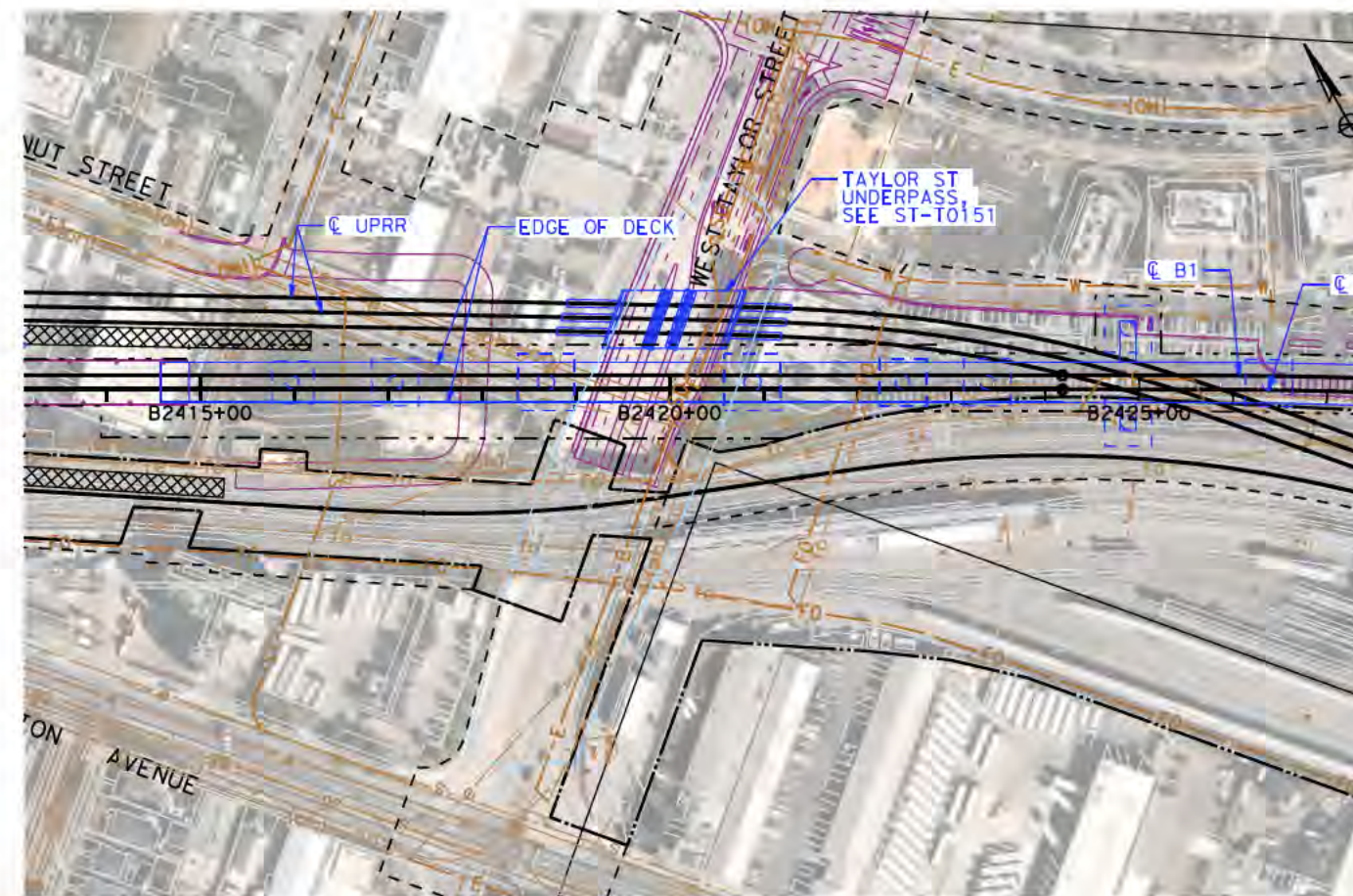
	AERIAL ORTHO-PHOTO
	COMPOSITE ROLL PLOTS
	GRADE SEPARATION ROLL PLOTS
	TUNNEL ROLL PLOTS
	STRUCTURES ROLL PLOTS
	SECTION BREAK
	CITY LIMITS
	COUNTY LINE
	EXISTING ROAD

SAN JOSE TO CVY EIR/S: VOLUME III
ALTERNATIVE 3
BOOK 3C
SHEET C

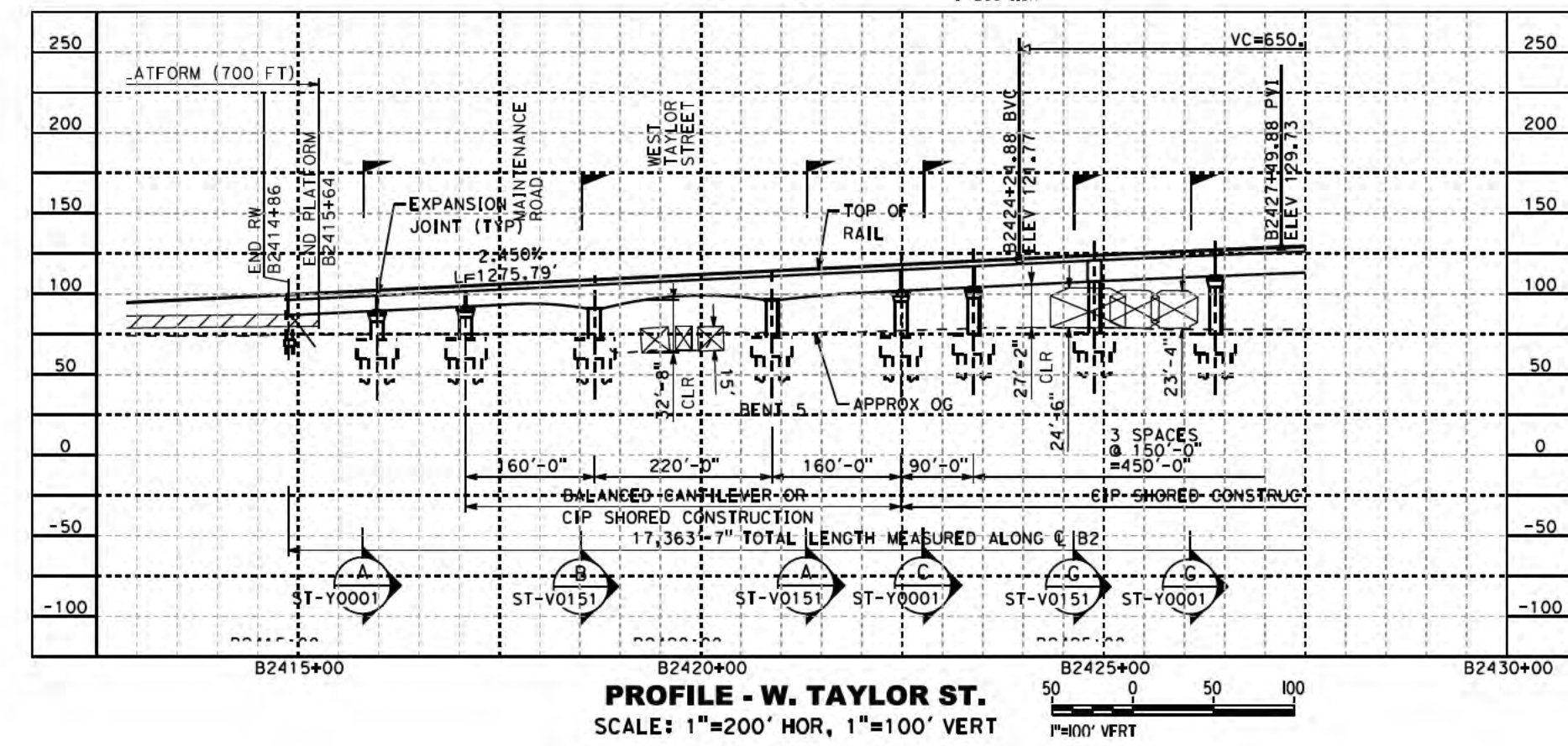


2021 RECORD SET PERD NOVEMBER 30, 2021 NOT FOR CONSTRUCTION	1111 Broadway 9th Floor Oakland, CA 94607		CALIFORNIA HIGH-SPEED TRAIN PROJECT SAN JOSE TO MERCED ALTERNATIVE 3 COMPOSITE PLAN	CONTRACT NO. MSR15-34 DRAWING NO. CE-D0301 SCALE AS SHOWN SHEET NO.
---	---	--	--	---

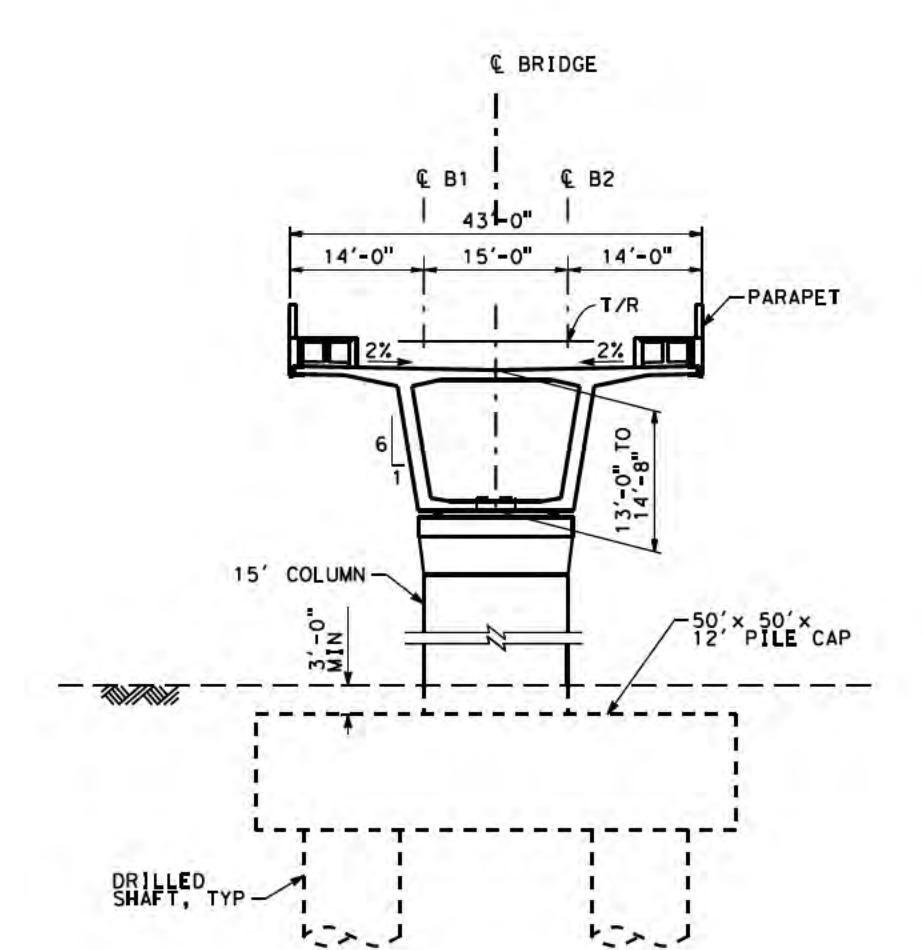
10/27/2021 2:58 PM c:\p021\hntb\california\vol03\comer\volume3\145\alt3\ce-d0301.dwg
 10/27/2021 2:58 PM c:\p021\hntb\california\vol03\comer\volume3\145\alt3\ce-d0301.dwg
 10/27/2021 2:58 PM c:\p021\hntb\california\vol03\comer\volume3\145\alt3\ce-d0301.dwg



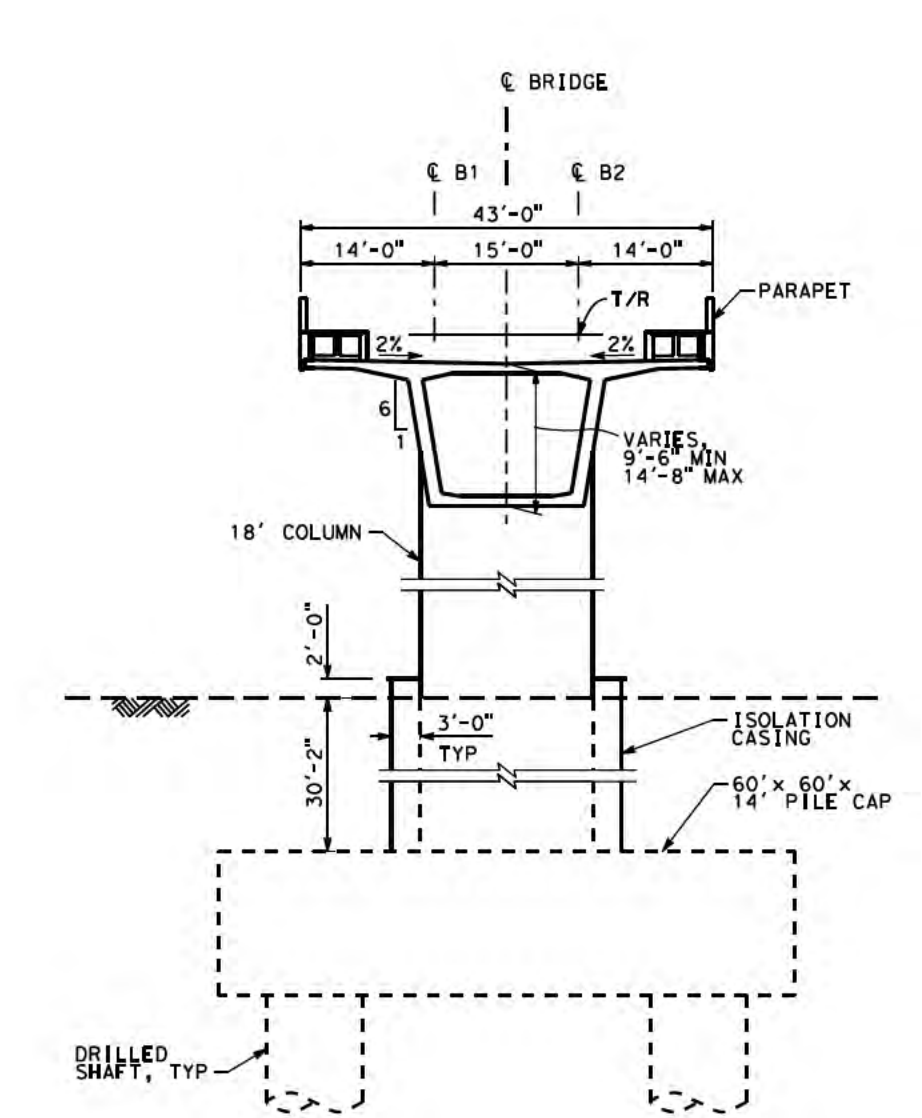
PLAN - W. TAYLOR ST.
SCALE: 1"=200'



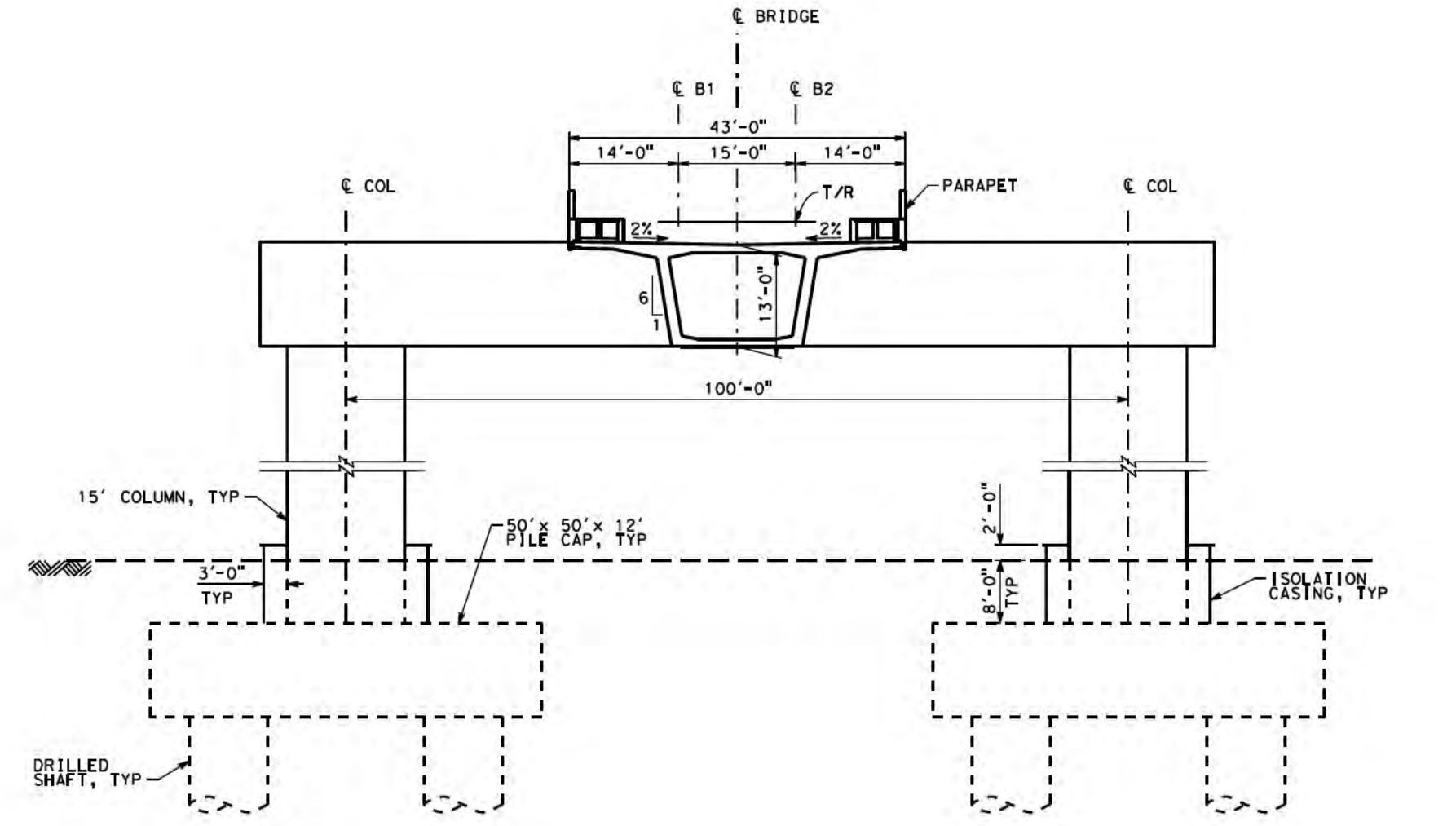
PROFILE - W. TAYLOR ST.
SCALE: 1"=200' HOR, 1"=100' VERT



SECTION A
SCALE 1"=20'-0"



SECTION B
SCALE 1"=20'-0"

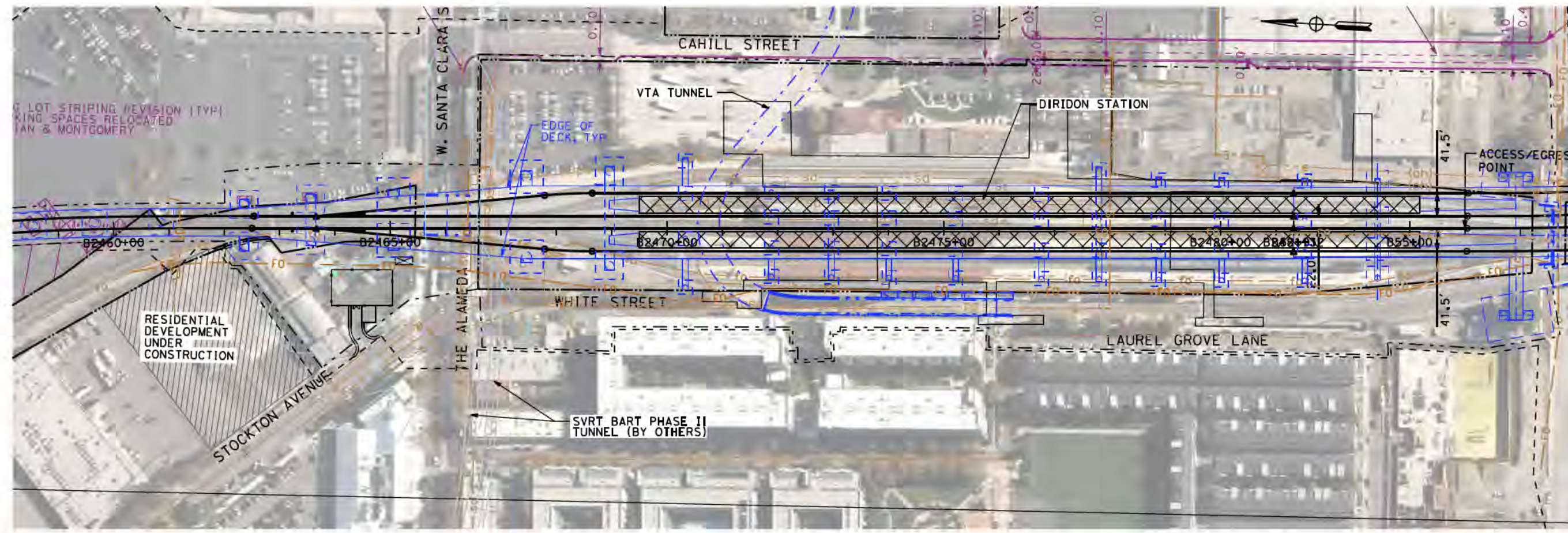


SECTION C
SCALE 1"=20'-0"

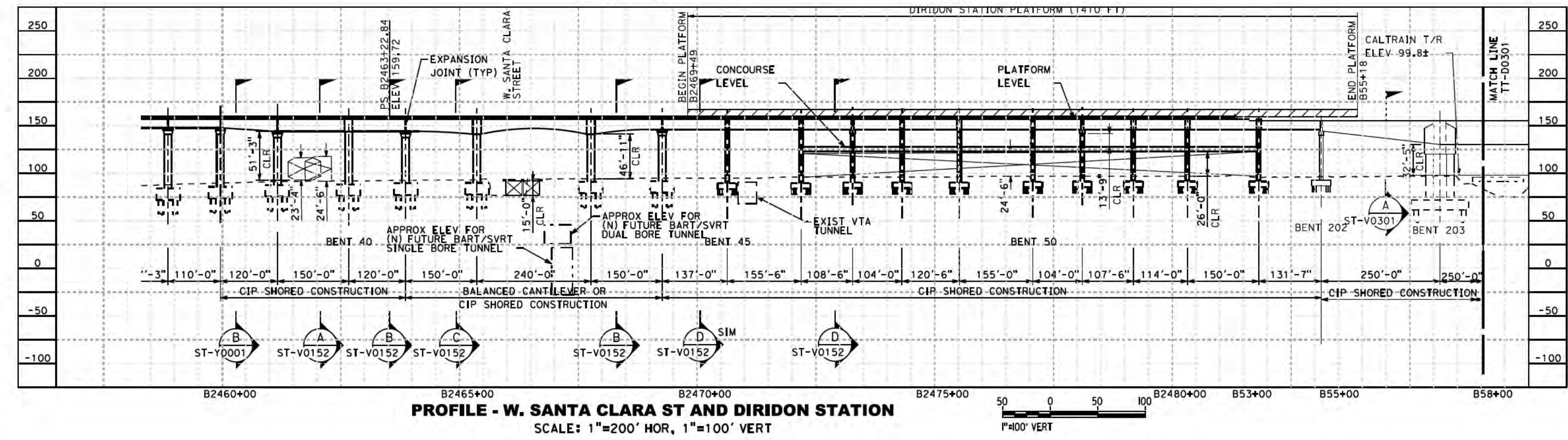
NOTE:
1. REFER TO GENERAL NOTES DRAWING NO. GE-B0101 FOR NOTES.

SAN JOSE TO CVY EIR/S: VOLUME III
ALTERNATIVE 3
BOOK 3C
SHEET 86 OF 237

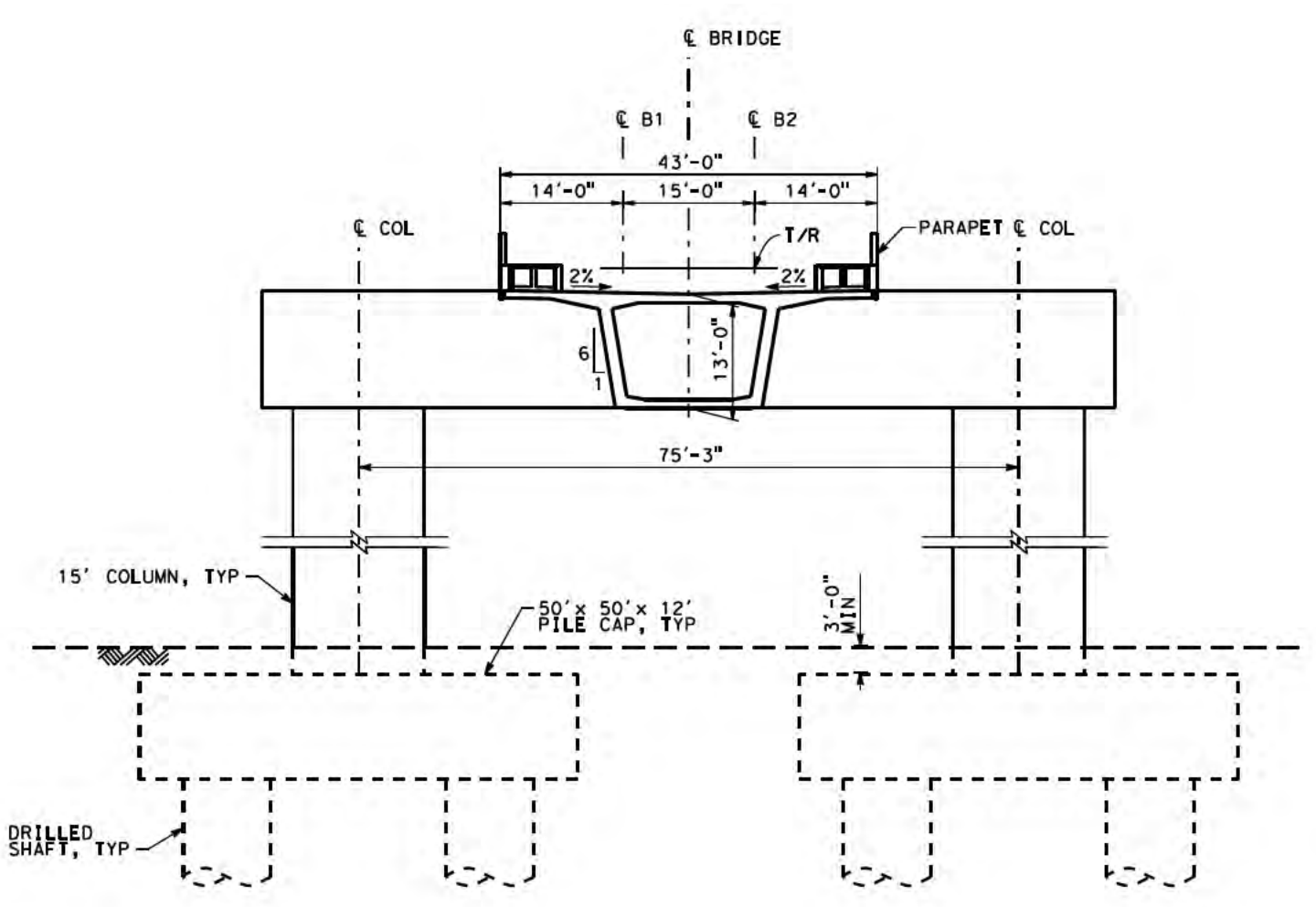
2021 RECORD SET PERD NOVEMBER 30, 2021 NOT FOR CONSTRUCTION	HNTB 1111 Broadway 9th Floor Oakland, CA 94607	CALIFORNIA High-Speed Rail Authority	CALIFORNIA HIGH-SPEED TRAIN PROJECT SAN JOSE TO MERCED SAN JOSE DIRIDON STATION APPROACH VIADUCT TO I-880 COMPLEX STRUCTURES GENERAL PLAN 1 OF 2	CONTRACT NO. HSR15-34 DRAWING NO. ST-V0151 SCALE AS SHOWN SHEET NO.
---	--	--	---	---



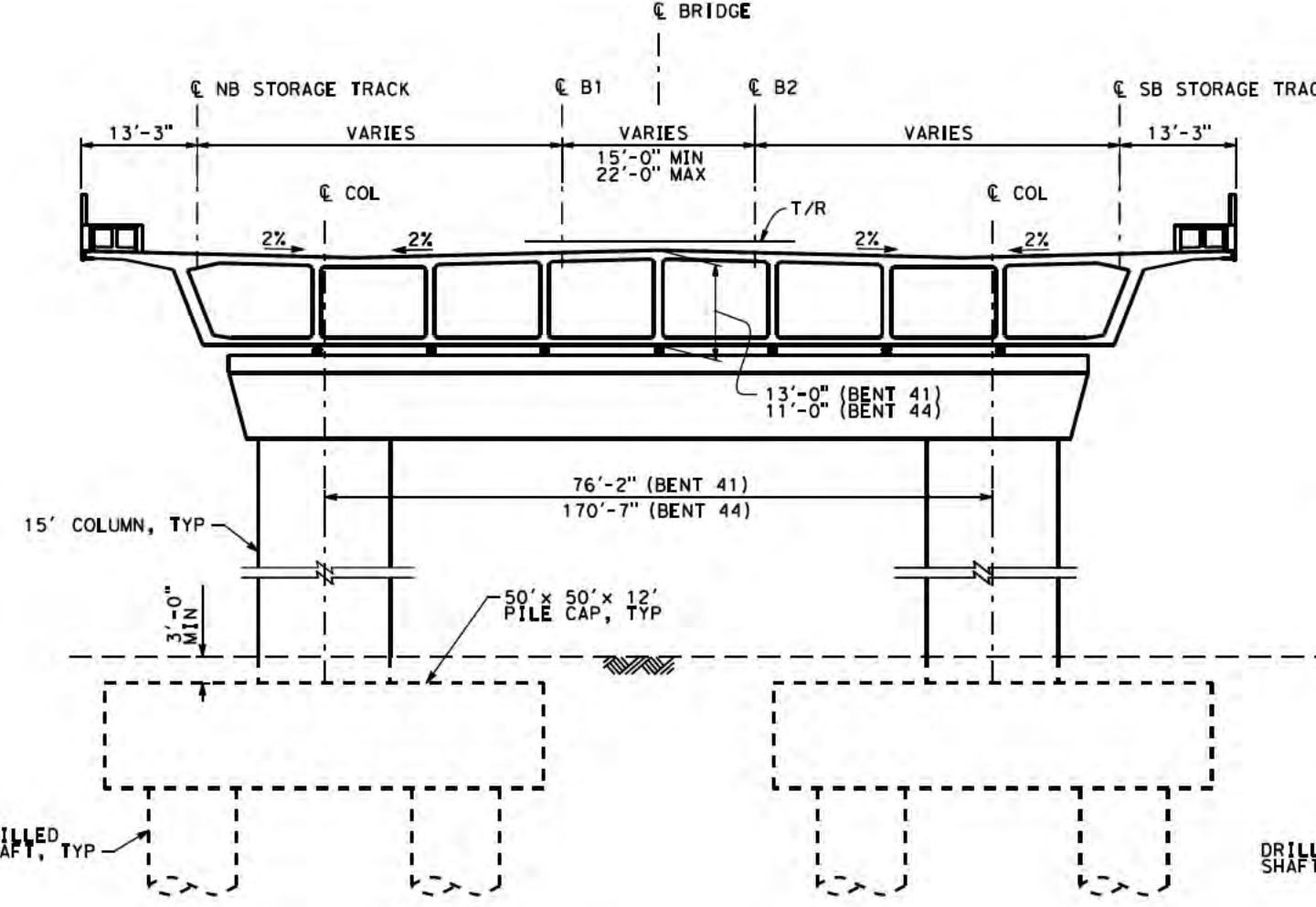
PLAN - W. SANTA CLARA ST AND DIRIDON STATION
SCALE: 1"=200'



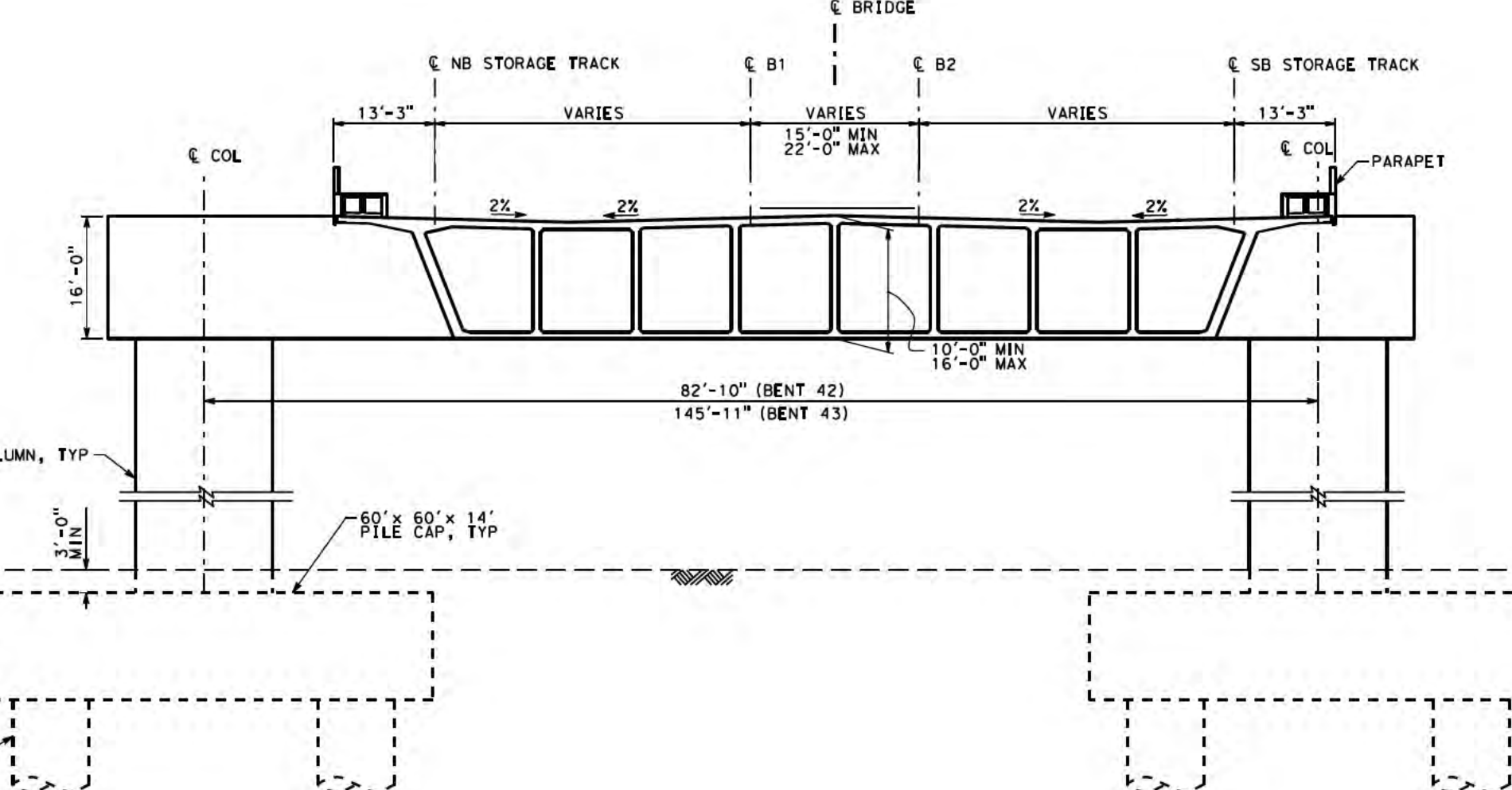
PROFILE - W. SANTA CLARA ST AND DIRIDON STATION
SCALE: 1"=200' HOR, 1"=100' VERT



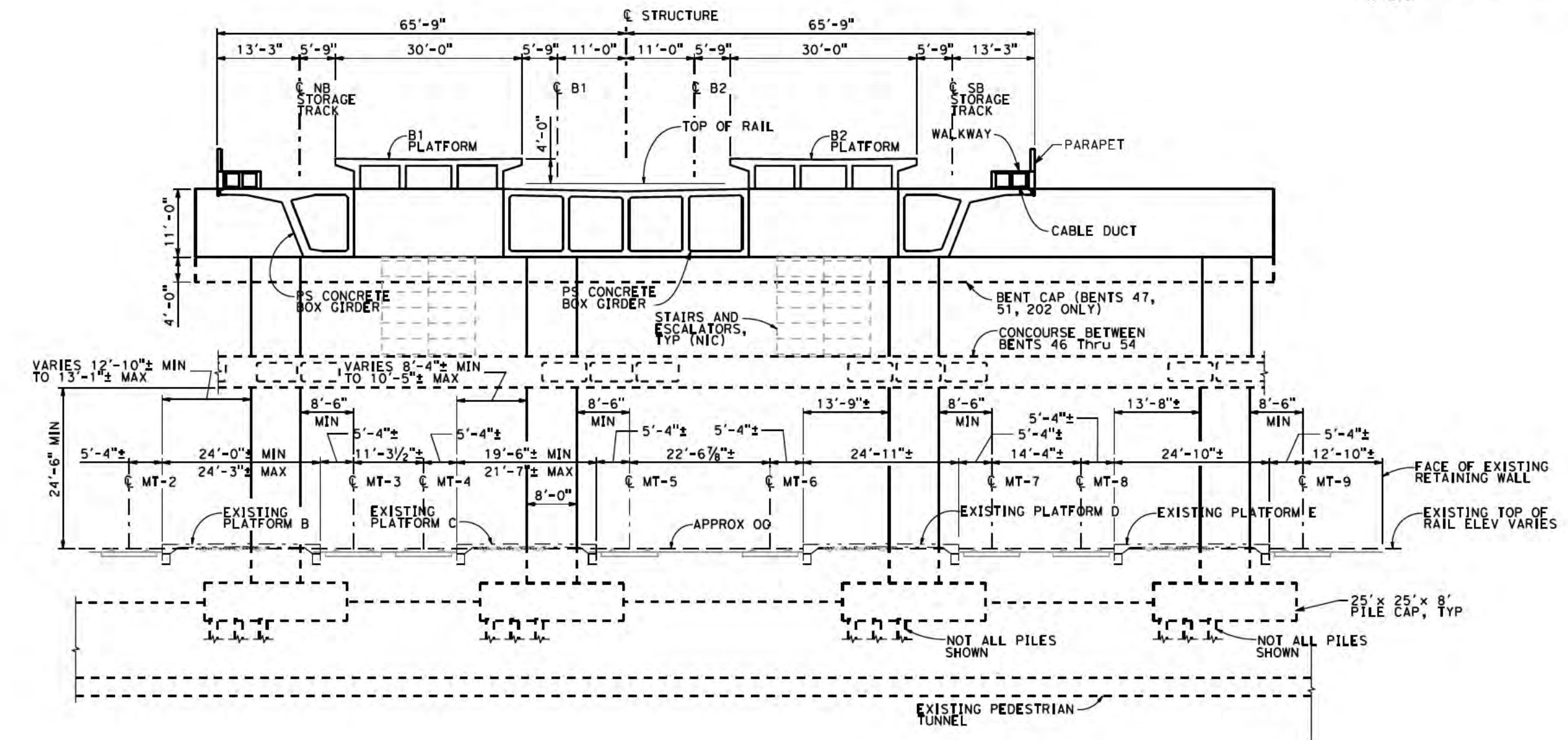
SECTION A
SCALE 1"=20'-0"



SECTION B
SCALE 1"=20'-0"



SECTION C
SCALE 1"=20'-0"

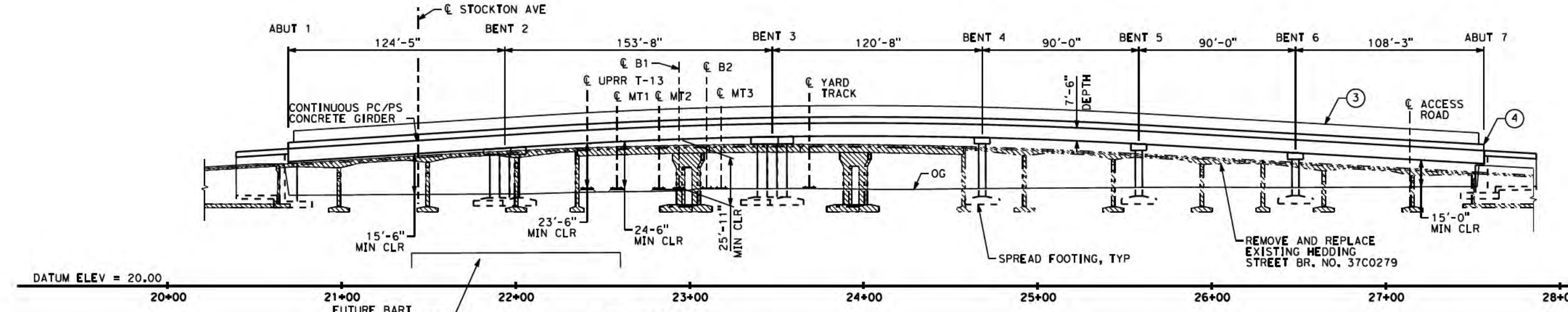


SECTION D
SCALE 1"=20'-0"

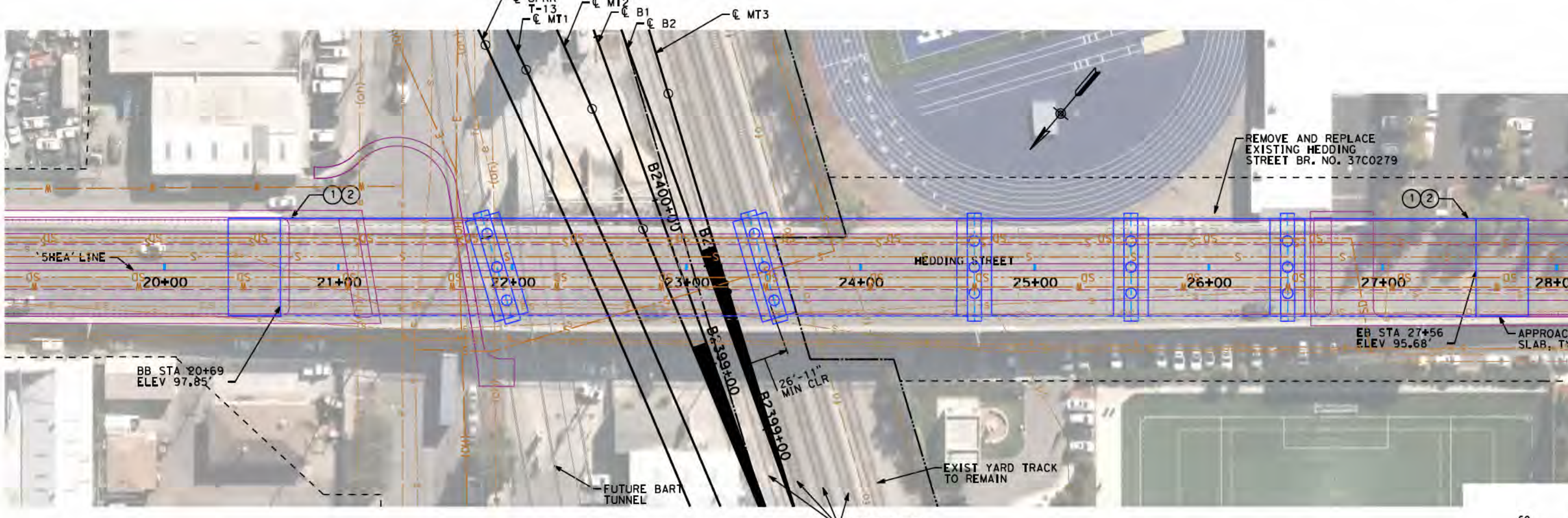
NOTE:
1. REFER TO GENERAL NOTES DRAWING NO. GE-B0101 FOR NOTES.

SAN JOSE TO CVY EIR/S: VOLUME III
ALTERNATIVE 3
BOOK 3C
SHEET 87 OF 237

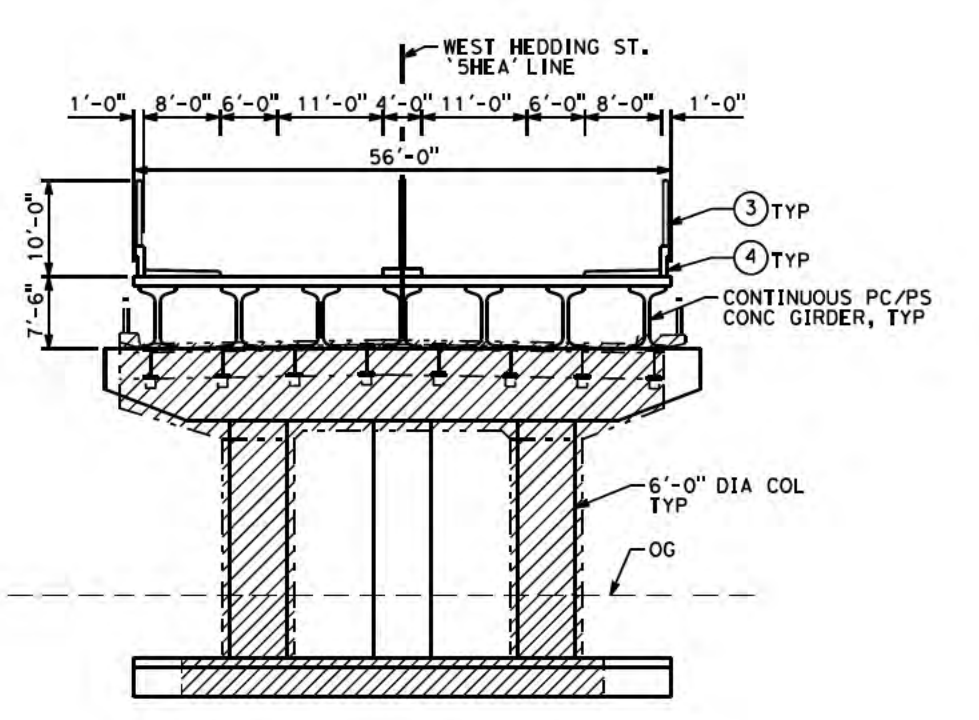
2021 RECORD SET PBD NOVEMBER 30, 2021 NOT FOR CONSTRUCTION	HNTB 1111 Broadway 9th Floor Oakland, CA 94607	CALIFORNIA High-Speed Rail Authority	CALIFORNIA HIGH-SPEED TRAIN PROJECT SAN JOSE TO MERCED SAN JOSE DIRIDON STATION APPROACH VIADUCT TO I-680 COMPLEX STRUCTURES GENERAL PLAN 2 OF 2	CONTRACT NO. HSR15-34 DRAWING NO. ST-V0152 SCALE AS SHOWN SHEET NO.
--	--	--	---	--



ELEVATION
SCALE: 1" = 60'



PLAN - WEST HEDDING STREET
SCALE: 1" = 60'



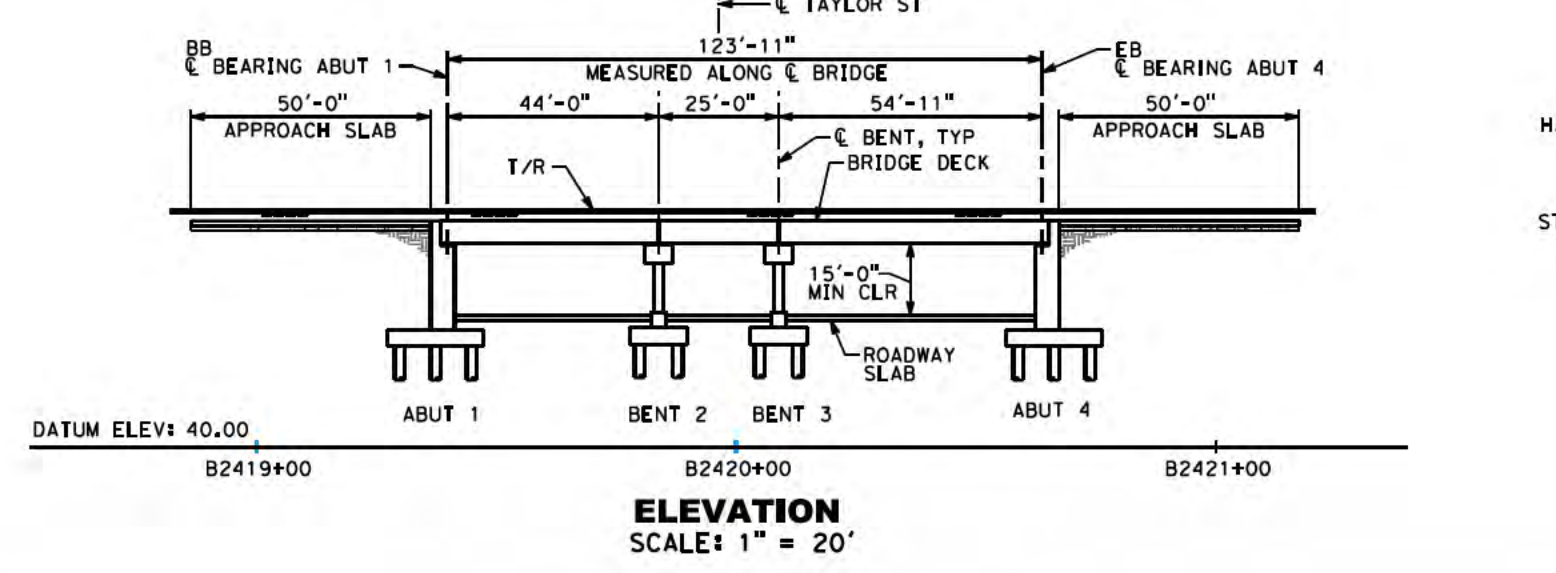
TYPICAL SECTION
SCALE: 1" = 20'



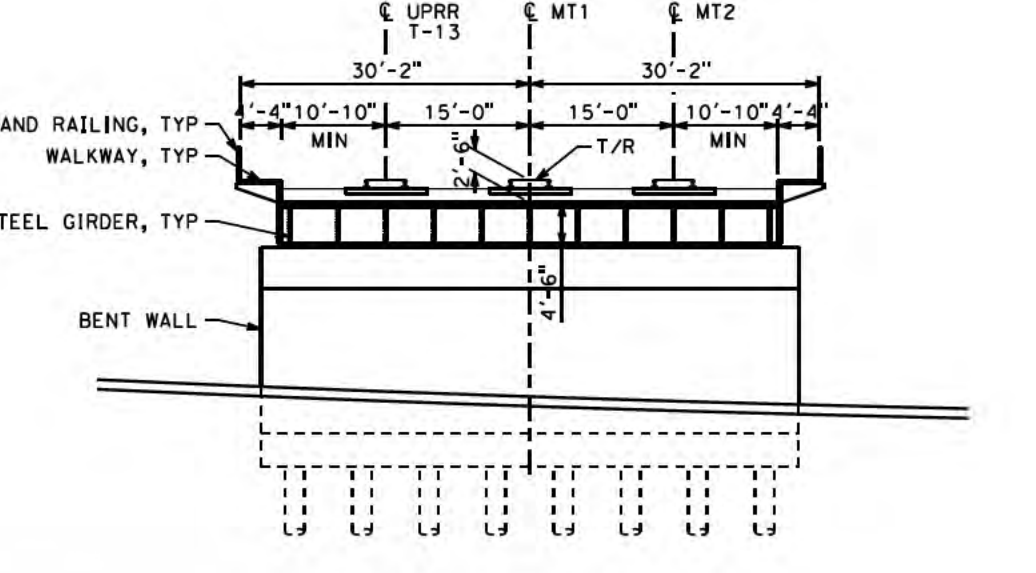
TYPICAL SECTION
SCALE: 1" = 20'

- LEGEND:**
- EXISTING STRUCTURE
 - NEW CONSTRUCTION
 - ▨ EXISTING BRIDGE TO BE REMOVED
- NOTES:**
1. PAINT "HEDDING STREET OVERHEAD"
 2. PAINT "BRIDGE NO. XX-XXXX"
 3. CHAIN LINK RAILING TYPE 7, TYP (MOD)
 4. CONCRETE BARRIER TYPE 732, TYP

- NOTES:**
1. STRUCTURE LOCATED AT CALTRAIN MP 46.2.
 2. ANY EXISTING UTILITY THAT CONFLICTS WITH NEW CONSTRUCTION SHALL BE RELOCATED UNLESS OTHERWISE NOTED.
 3. VEHICULAR TRAFFIC WILL BE DETOURED DURING CONSTRUCTION.

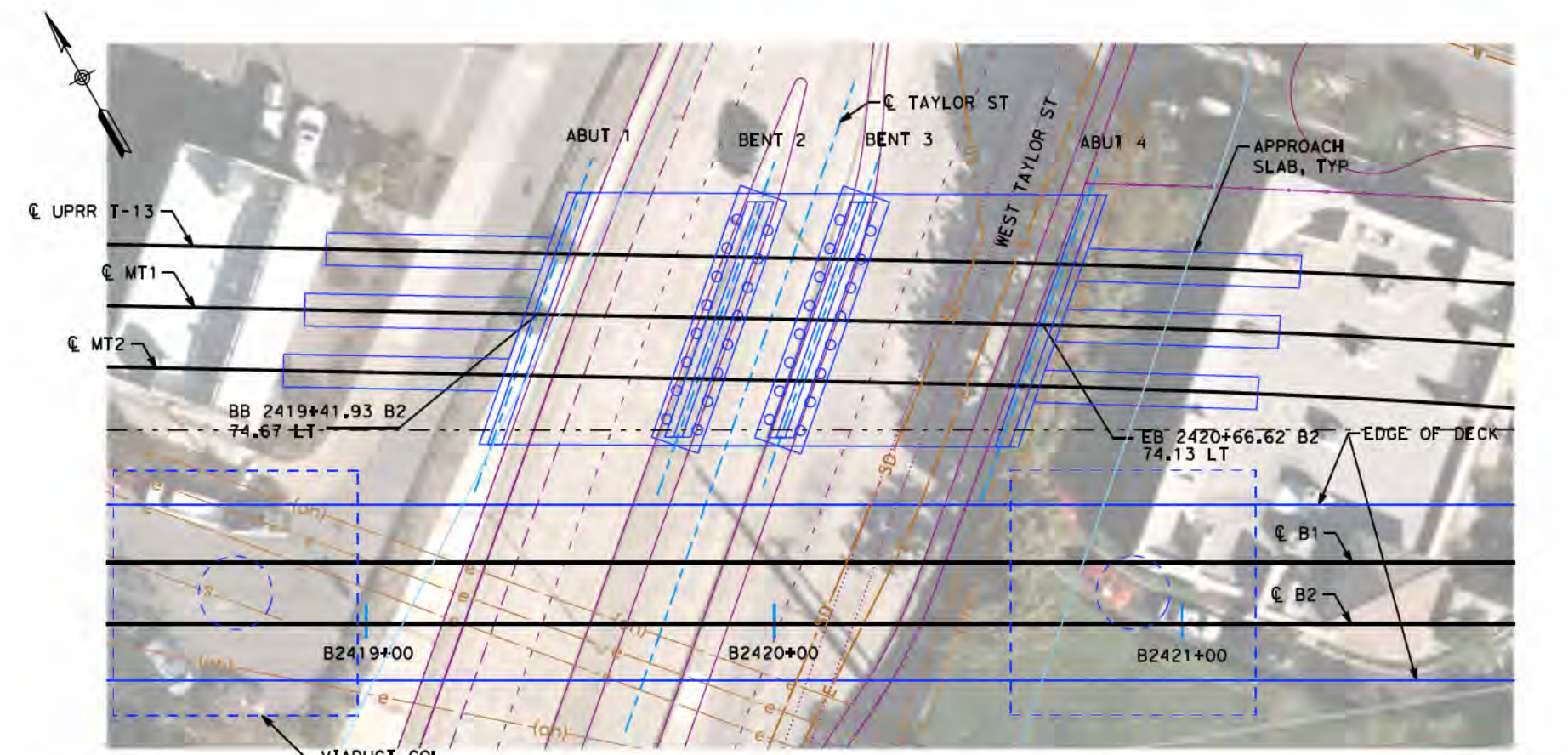


ELEVATION
SCALE: 1" = 20'

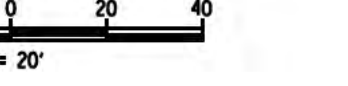


TYPICAL SECTION
SCALE: 1" = 10'

- LEGEND:**
- EXISTING STRUCTURE
 - NEW CONSTRUCTION
 - ▨ EXISTING BRIDGE TO BE REMOVED
- NOTES:**
1. STRUCTURE LOCATED AT CALTRAIN MP 46.52.
 2. VEHICULAR TRAFFIC WILL BE DETOURED DURING CONSTRUCTION.
 3. OCS MAST POLES WILL BE LOCATED OFF OF STRUCTURE.
 4. ANY EXISTING UTILITY THAT CONFLICTS WITH NEW CONSTRUCTION SHALL BE RELOCATED UNLESS OTHERWISE NOTED.



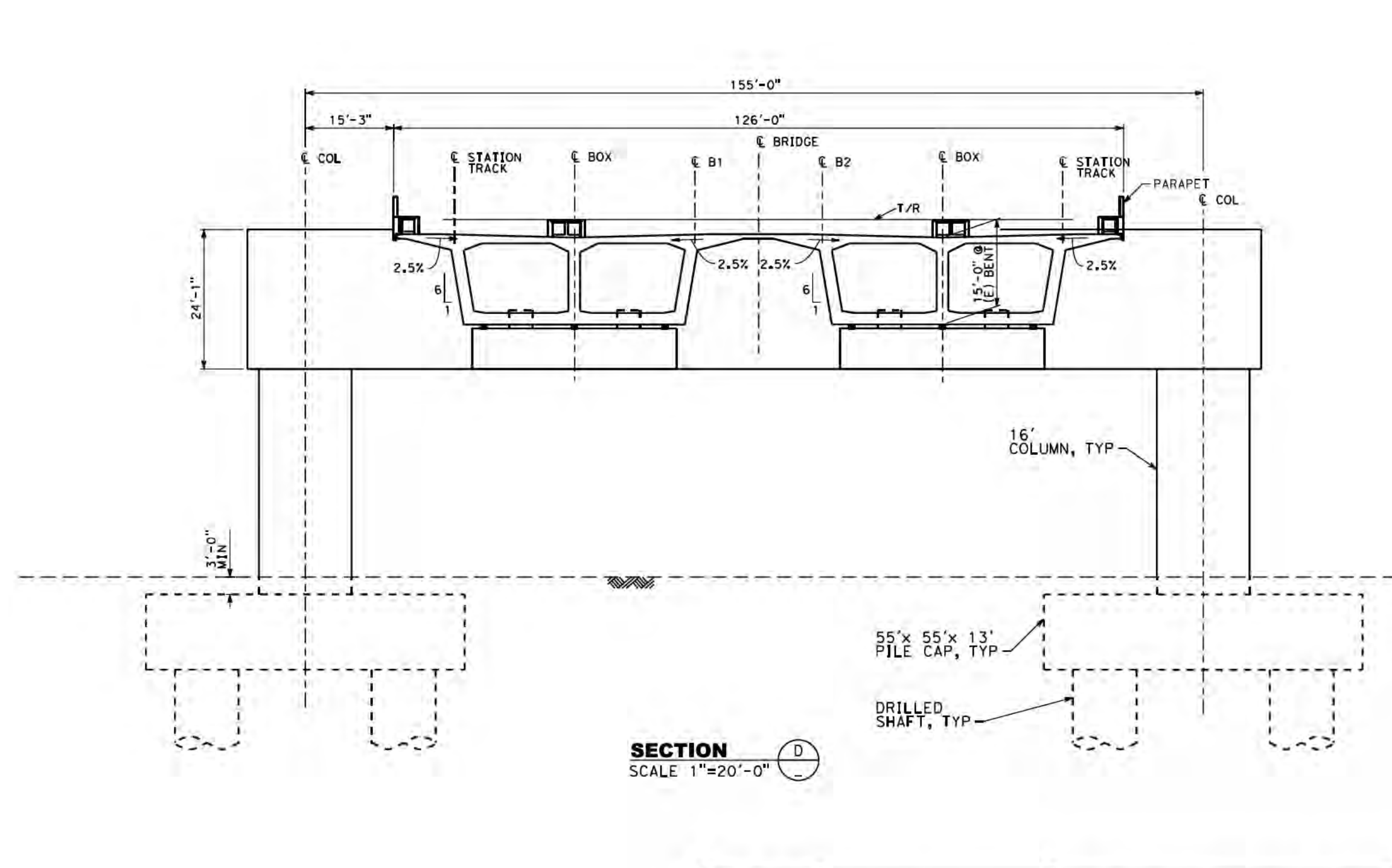
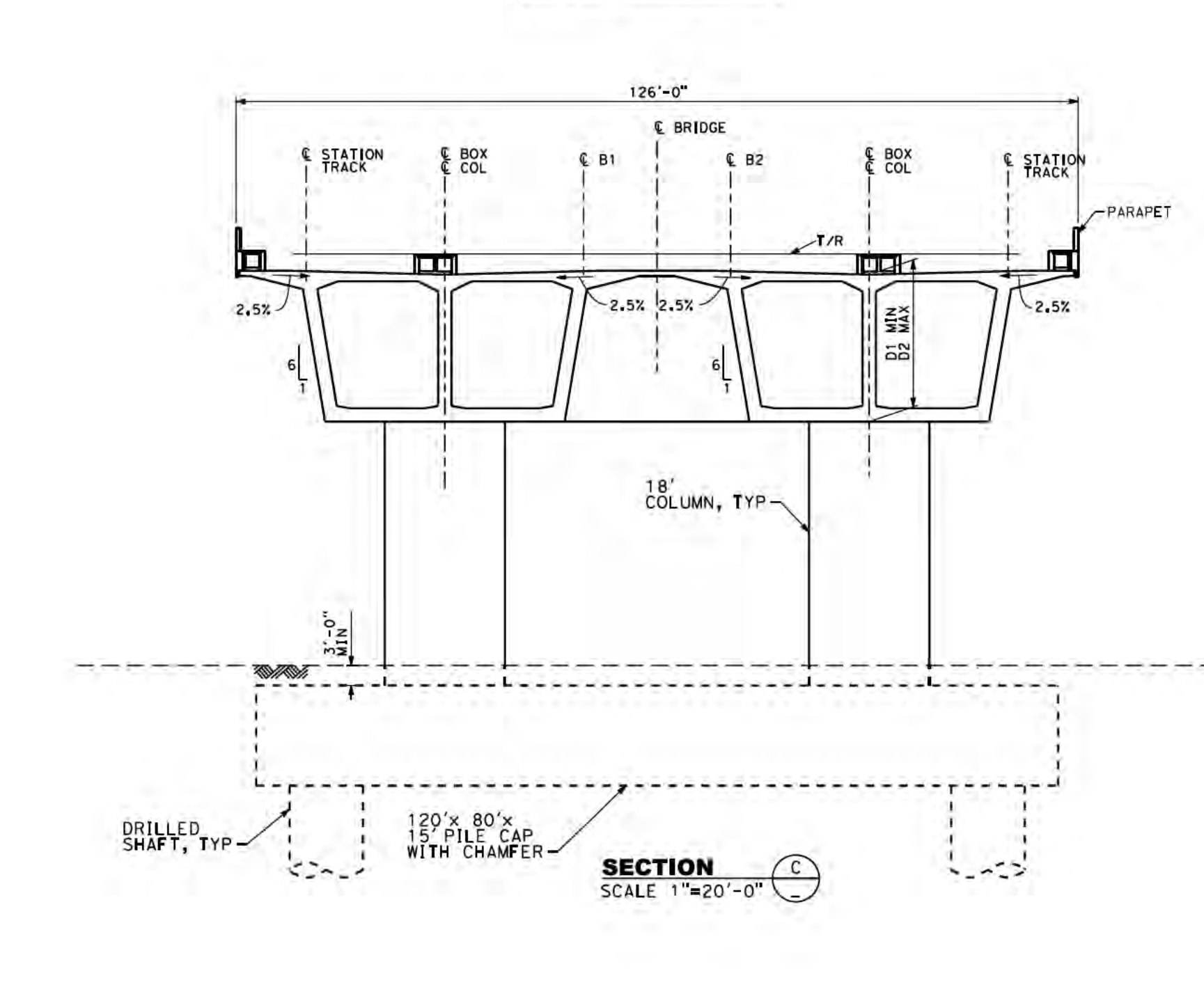
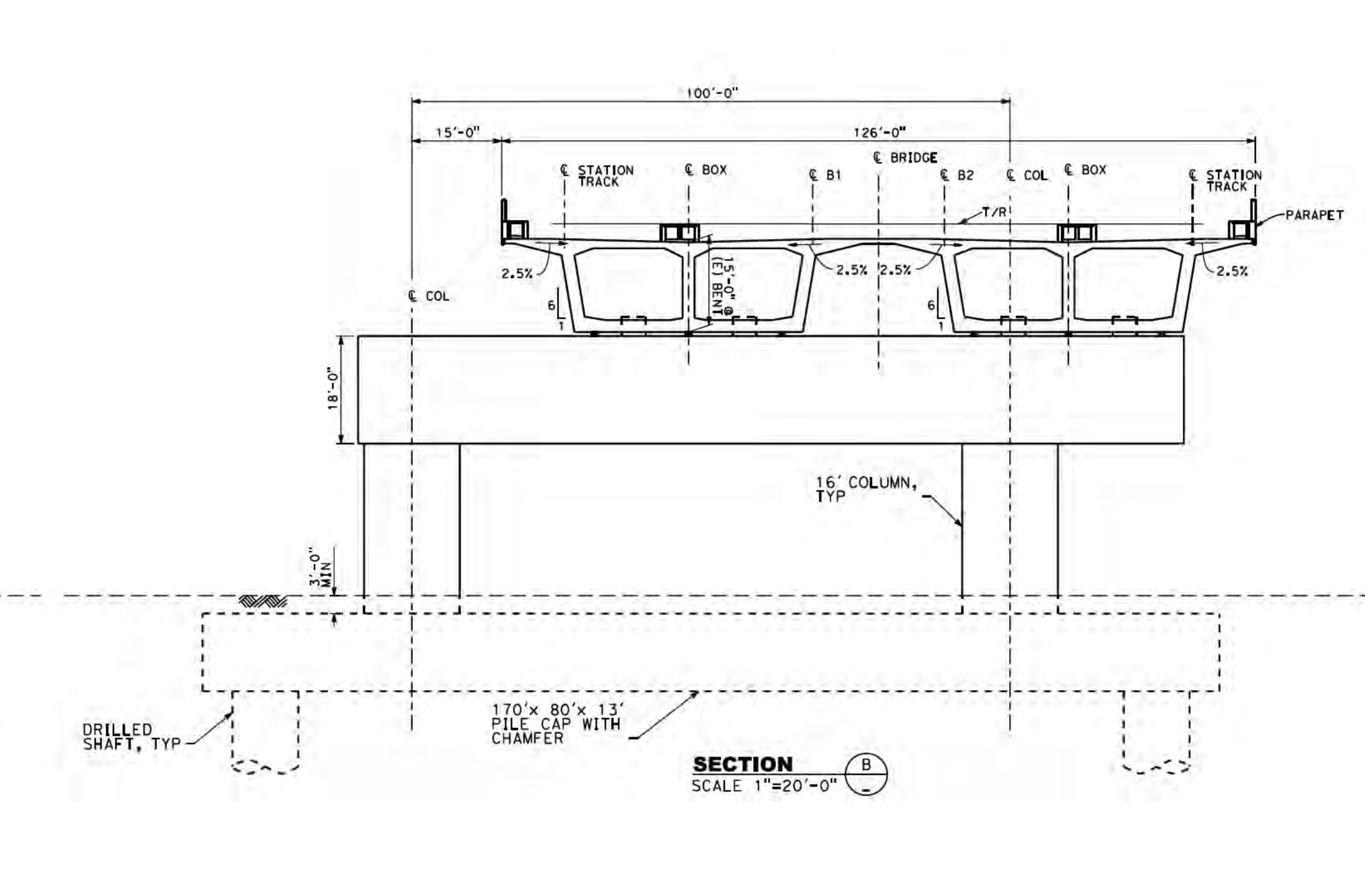
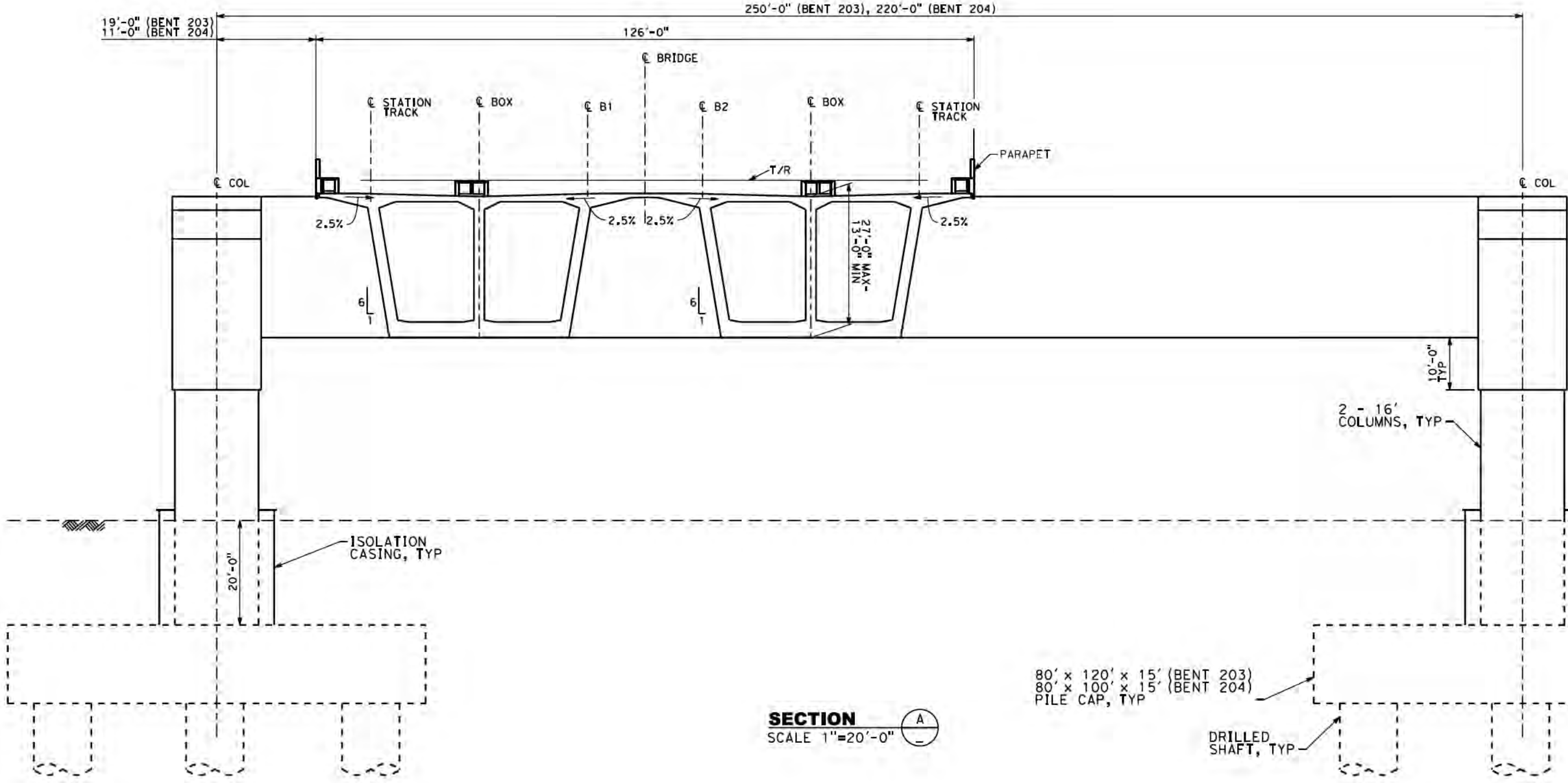
PLAN - TAYLOR STREET
SCALE: 1" = 20'



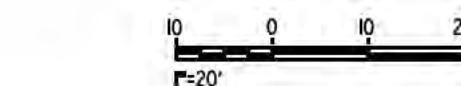
SAN JOSE TO CVY EIR/S: VOLUME III
ALTERNATIVE 3
BOOK 3C
SHEET 88 OF 237

2021 RECORD SET PBD NOVEMBER 30, 2021 NOT FOR CONSTRUCTION	HNTB 1111 Broadway 9th Floor Oakland, CA 94607	CALIFORNIA High-Speed Rail Authority	CALIFORNIA HIGH-SPEED TRAIN PROJECT SAN JOSE TO MERCED SAN JOSE DIRIDON STATION APPROACH VIADUCT TO I-880 OVERPASSES AND UNDERPASSES HEDDING ST AND TAYLOR ST	CONTRACT NO. HSR15-34 DRAWING NO. ST-T0151 SCALE AS SHOWN SHEET NO.
--	--	--	--	---

BENT	D1	D2
206	15'-0"	24'-0"
207	15'-0"	24'-0"
209	15'-0"	17'-0"
211	14'-0"	28'-0"

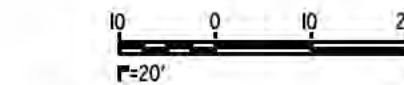
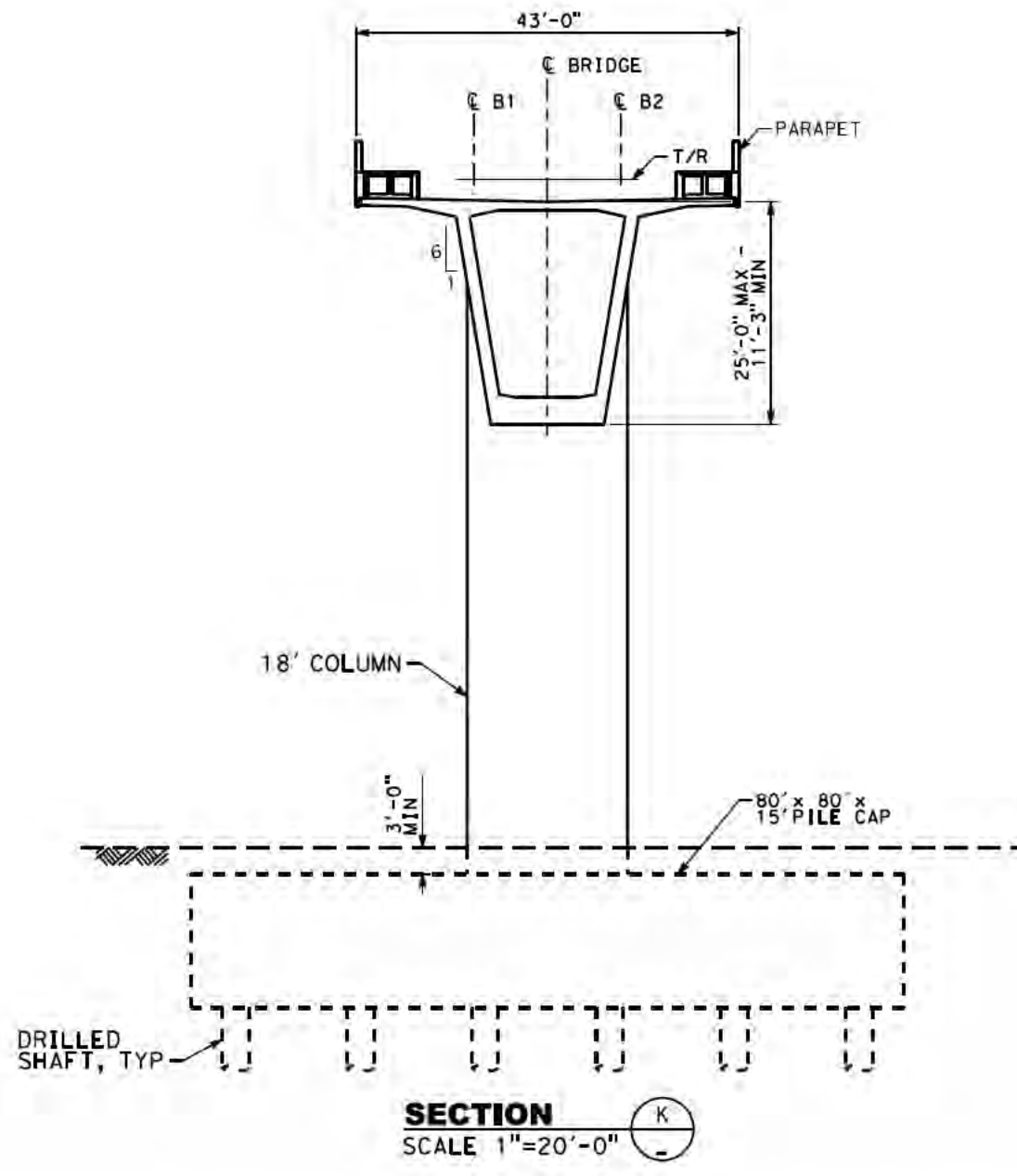
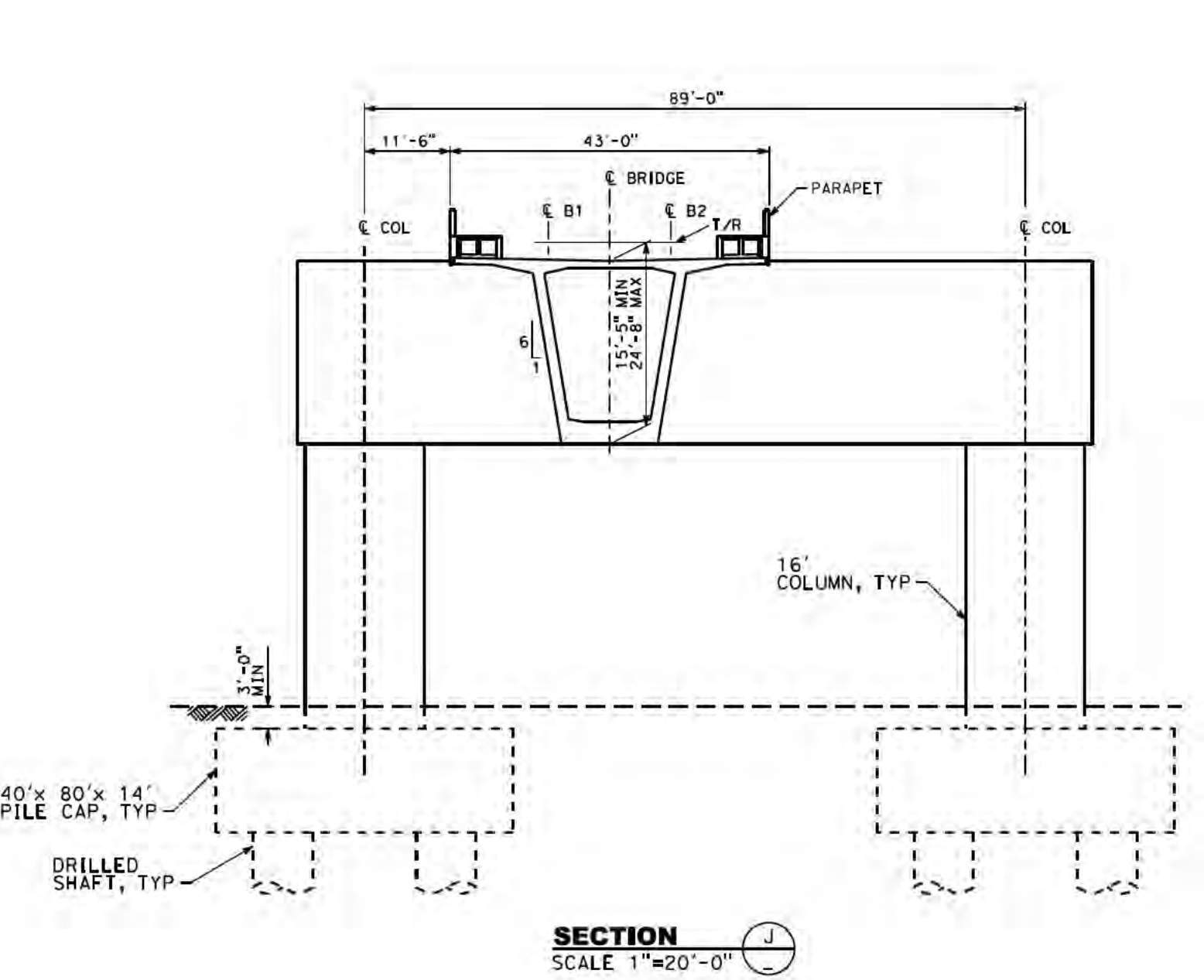
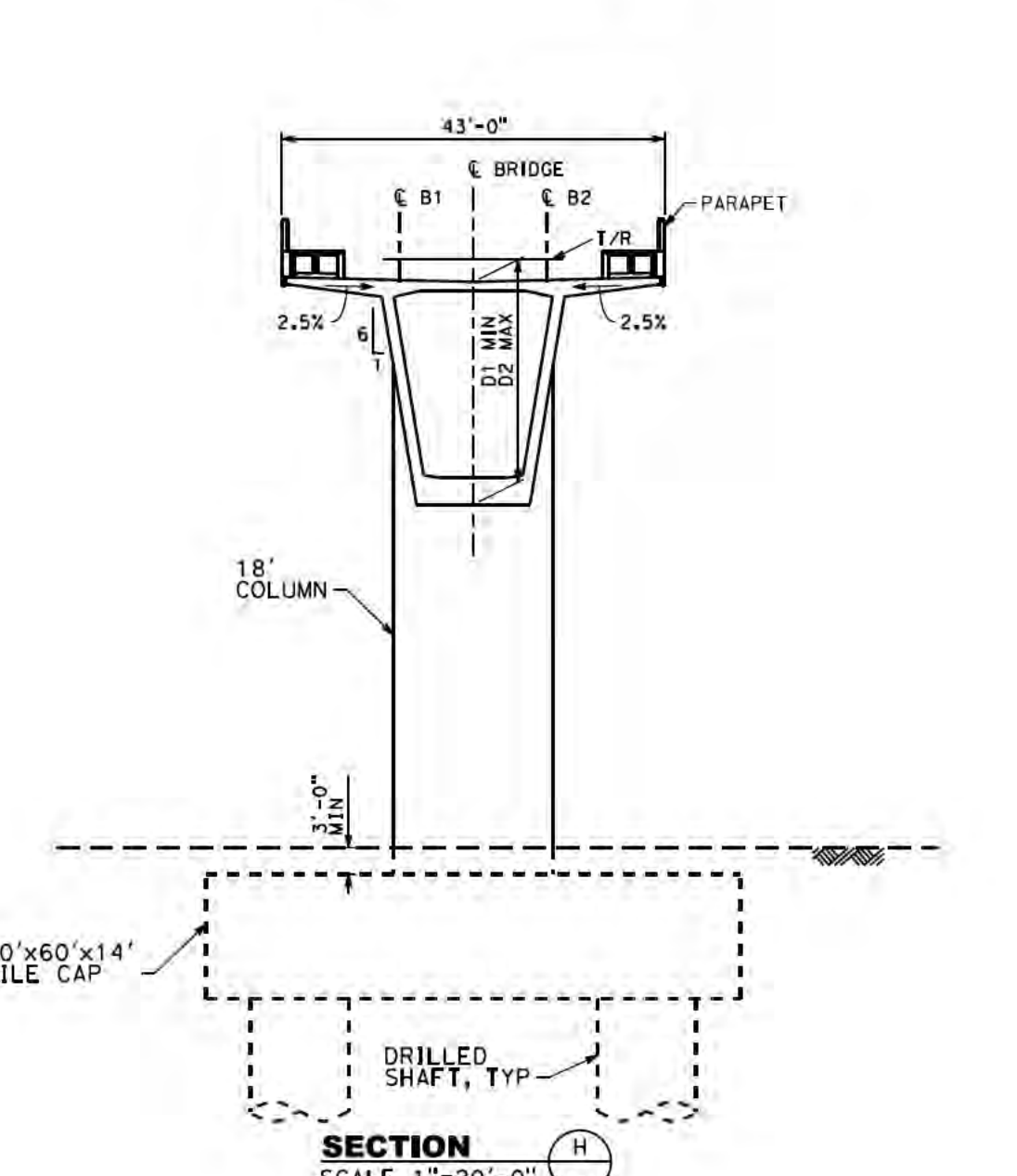
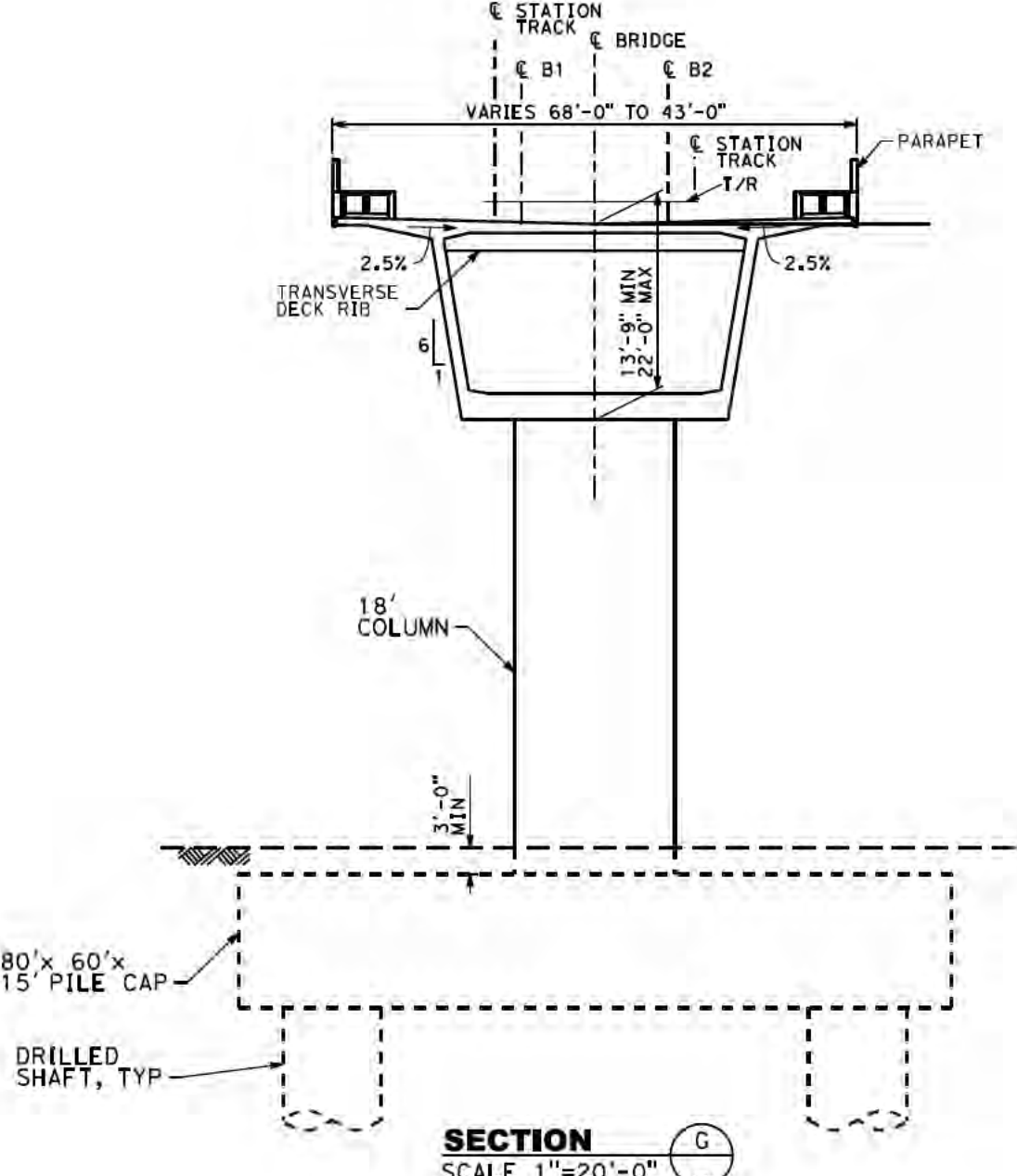
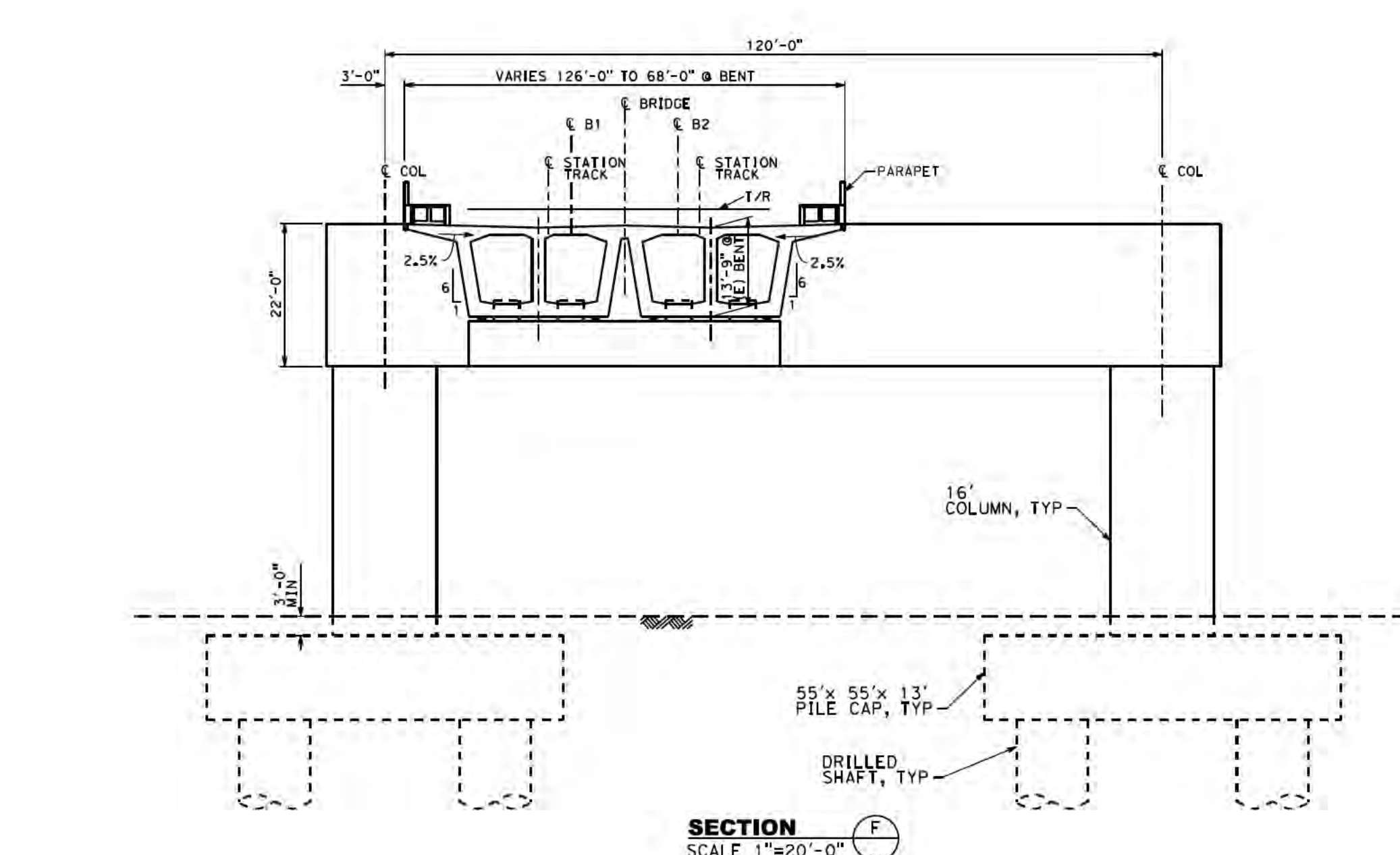
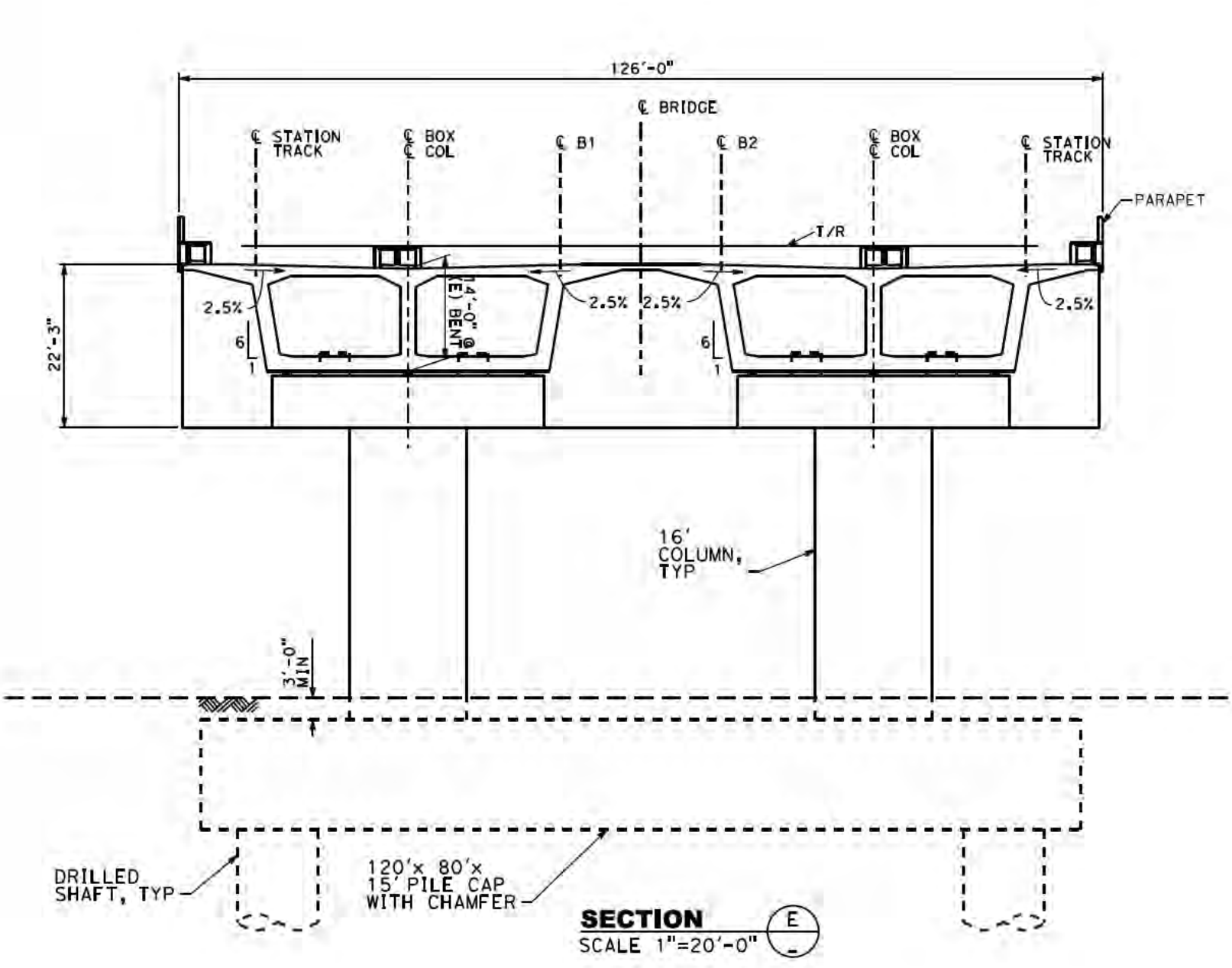


**SAN JOSE TO CVY EIR/S: VOLUME III
ALTERNATIVE 3
BOOK 3C
SHEET 89 OF 237**



2021 RECORD SET PERD NOVEMBER 30, 2021 NOT FOR CONSTRUCTION	HNTB 1111 Broadway 9th Floor Oakland, CA 94607	CALIFORNIA High-Speed Rail Authority	CALIFORNIA HIGH-SPEED TRAIN PROJECT SAN JOSE TO MERCED SAN JOSE DIRIDON STATION APPROACH VIADUCT TO I-880 TYPICAL SECTIONS SHEET 1 OF 3	CONTRACT NO. HSR15-34 DRAWING NO. ST-V0301 SCALE AS SHOWN SHEET NO.
---	--	--	--	--

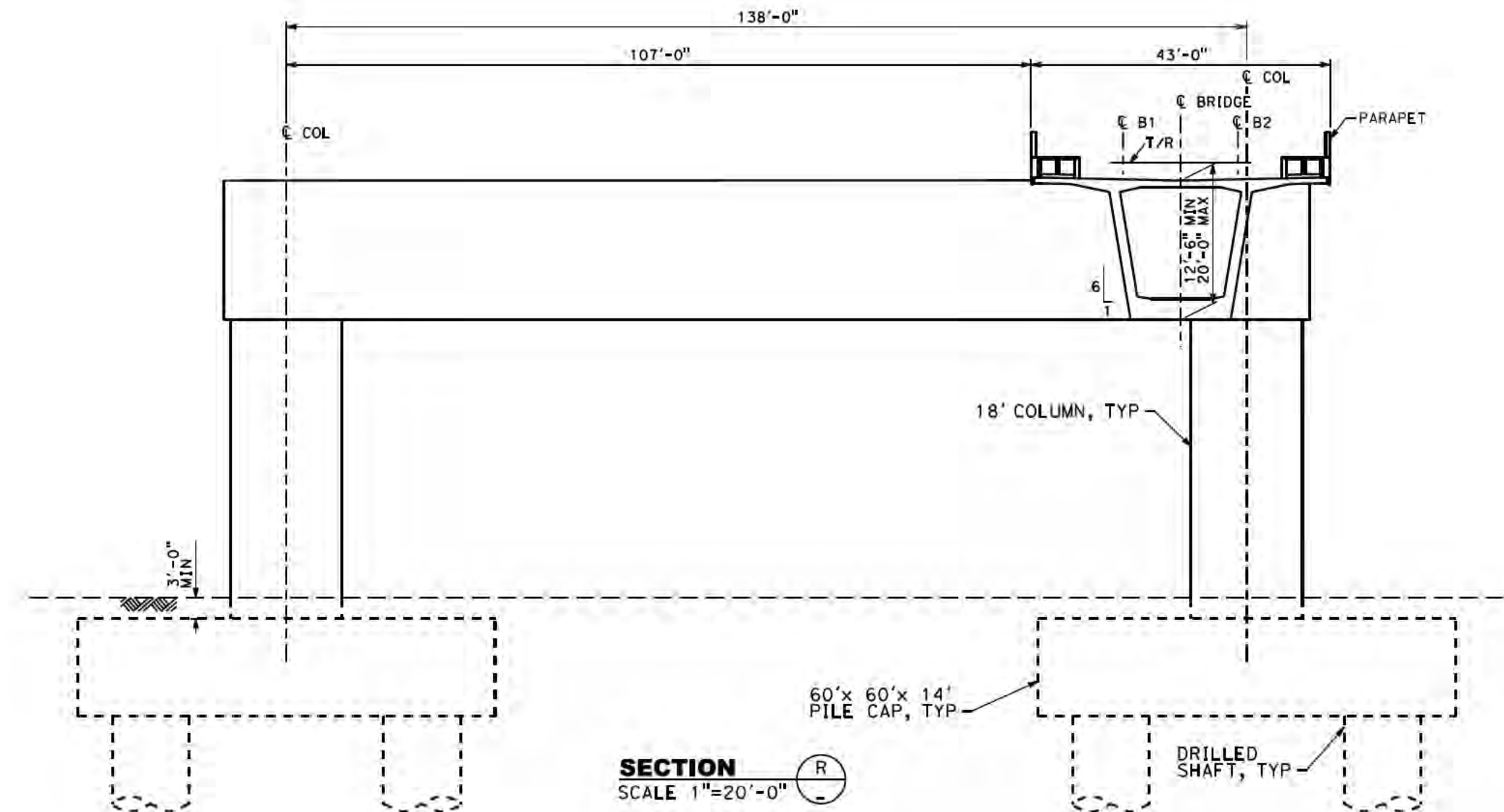
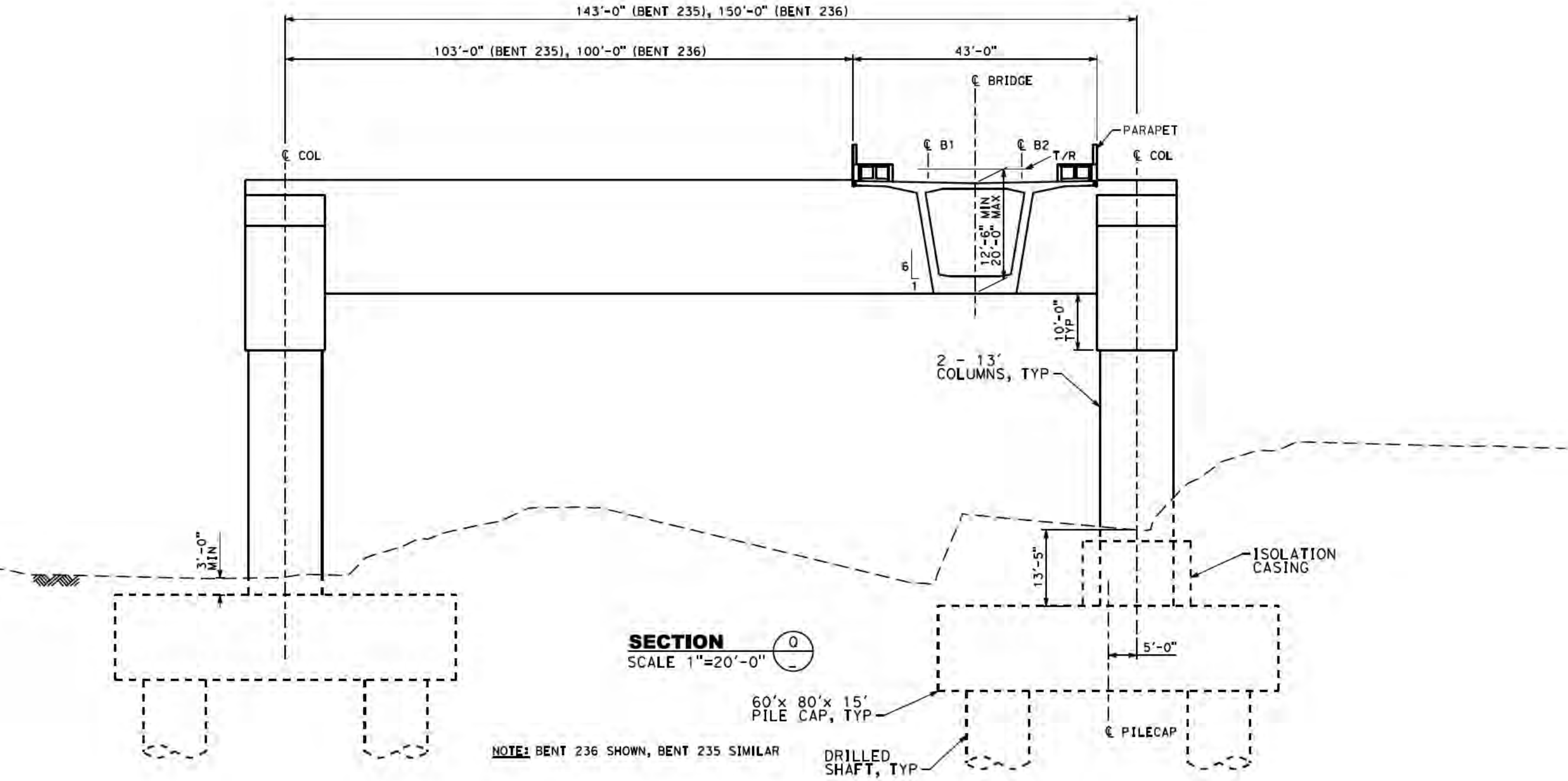
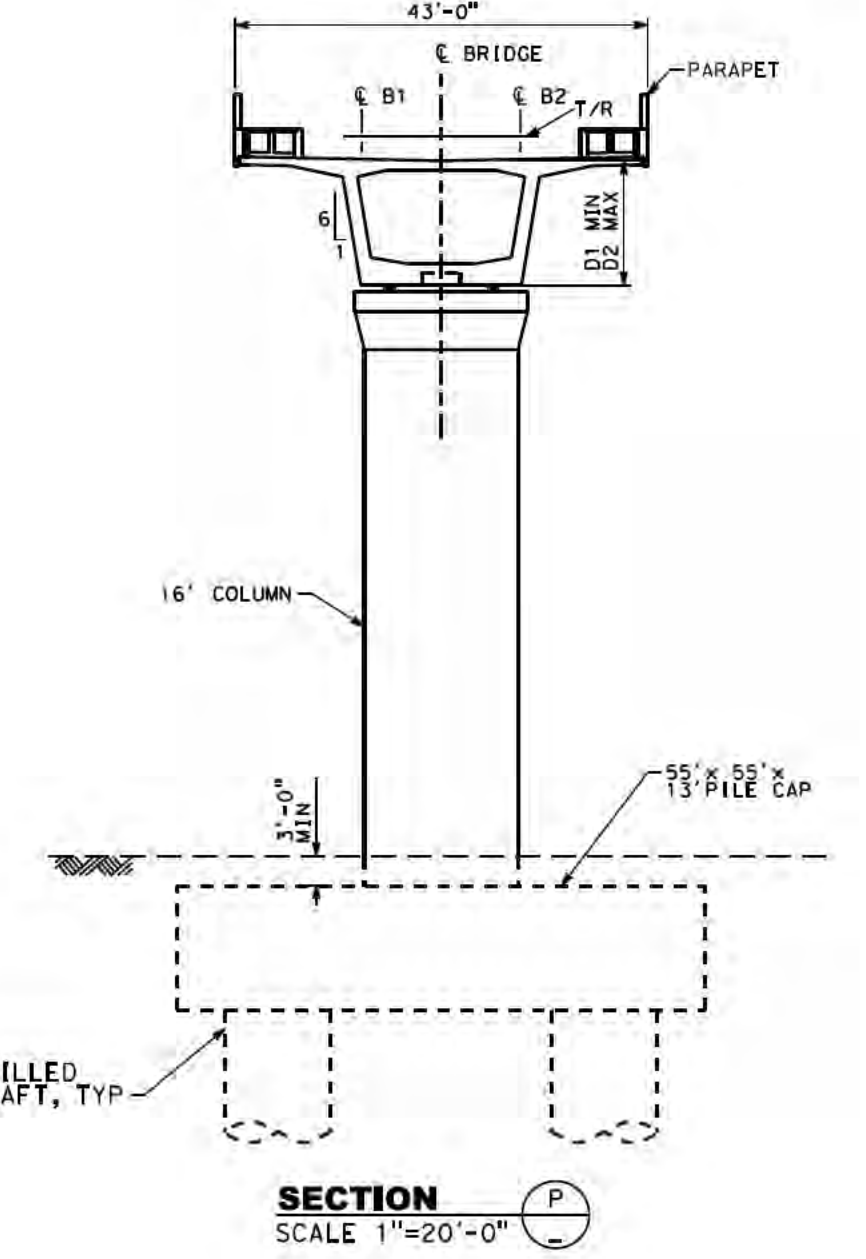
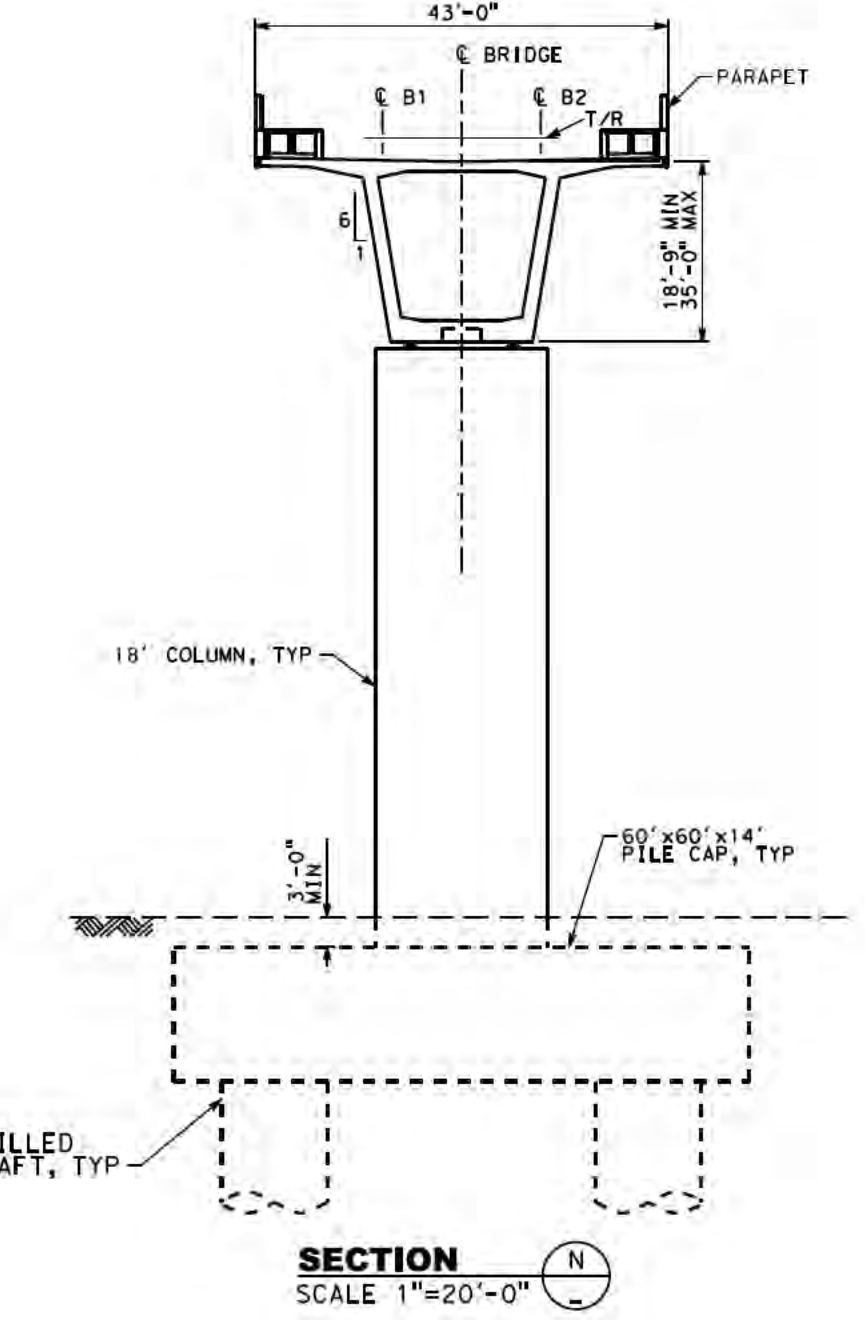
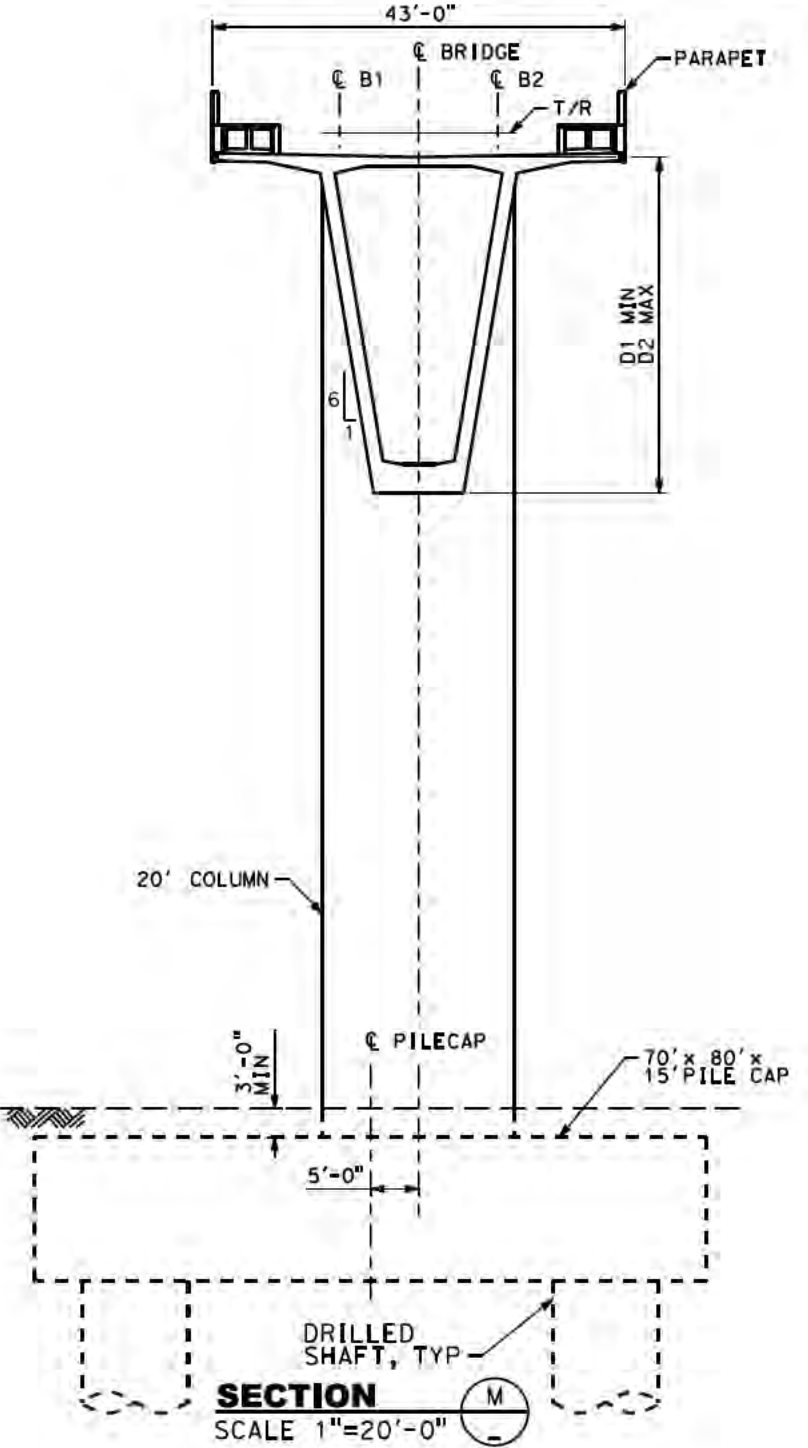
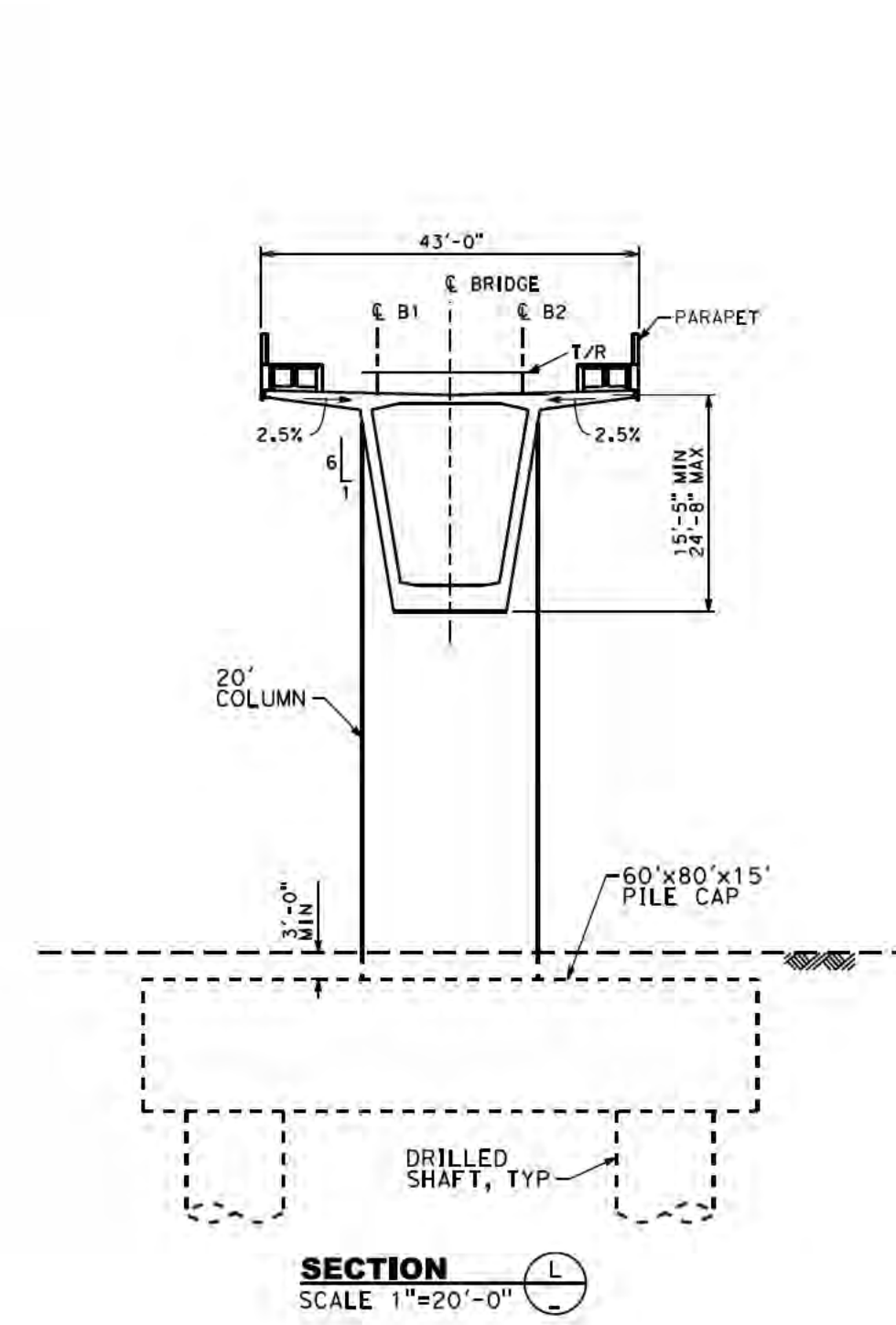
BENT	D1	D2
225	15'-6"	30'-0"
227	15'-0"	22'-8"
228	14'-2"	22'-8"
229	14'-2"	23'-0"



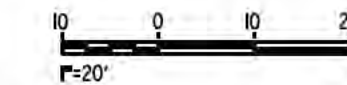
2021 RECORD SET PERD NOVEMBER 30, 2021 NOT FOR CONSTRUCTION	HNTB 1111 Broadway 9th Floor Oakland, CA 94607	CALIFORNIA High-Speed Rail Authority	CALIFORNIA HIGH-SPEED TRAIN PROJECT SAN JOSE TO MERCED SAN JOSE DIRIDON STATION APPROACH VIADUCT TO I-880 TYPICAL SECTIONS SHEET 2 OF 3	CONTRACT NO. HSR15-34 DRAWING NO. ST-V0302 SCALE AS SHOWN SHEET NO.
---	--	--	---	---

TABLE OF VIADUCT DIMENSIONS		
BENT	D1	D2
219	18'-9"	30'-0"
220	18'-9"	35'-0"

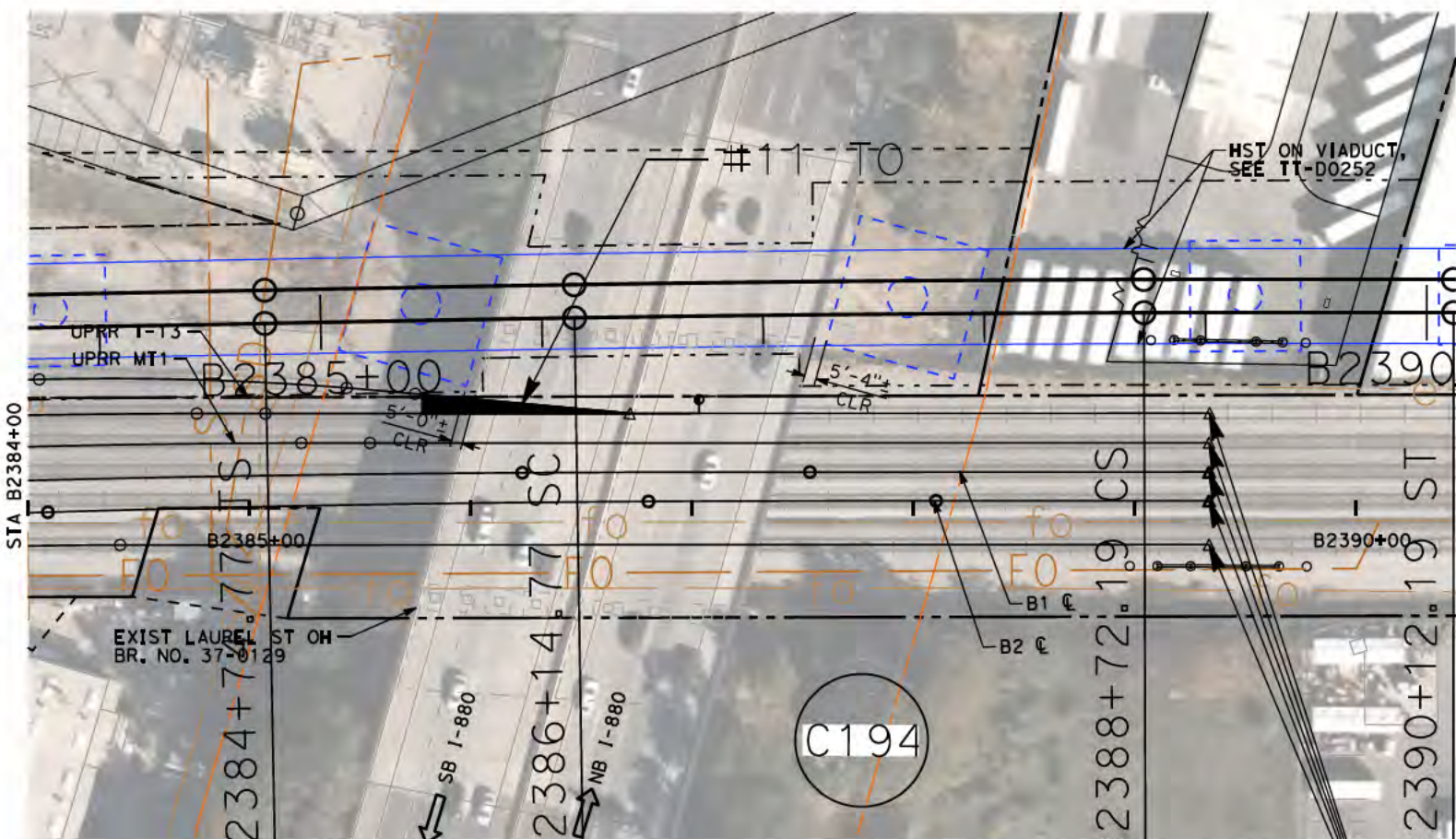
TABLE OF VIADUCT DIMENSIONS		
BENT	D1	D2
217	15'-6"	25'-0"
218	15'-6"	18'-9"
222	15'-6"	18'-9"
226	15'-0"	30'-0"
230	13'-0"	23'-0"



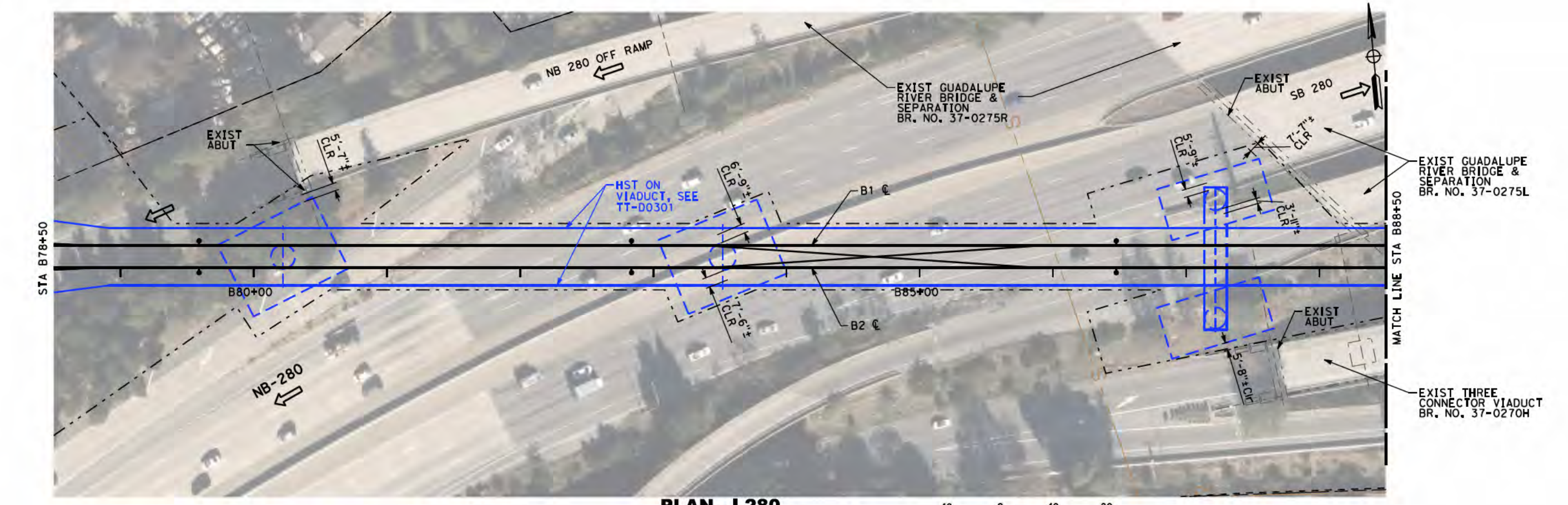
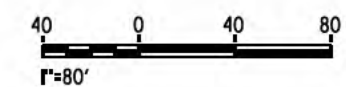
**SAN JOSE TO CVY EIR/S: VOLUME III
ALTERNATIVE 3
BOOK 3C
SHEET 91 OF 237**



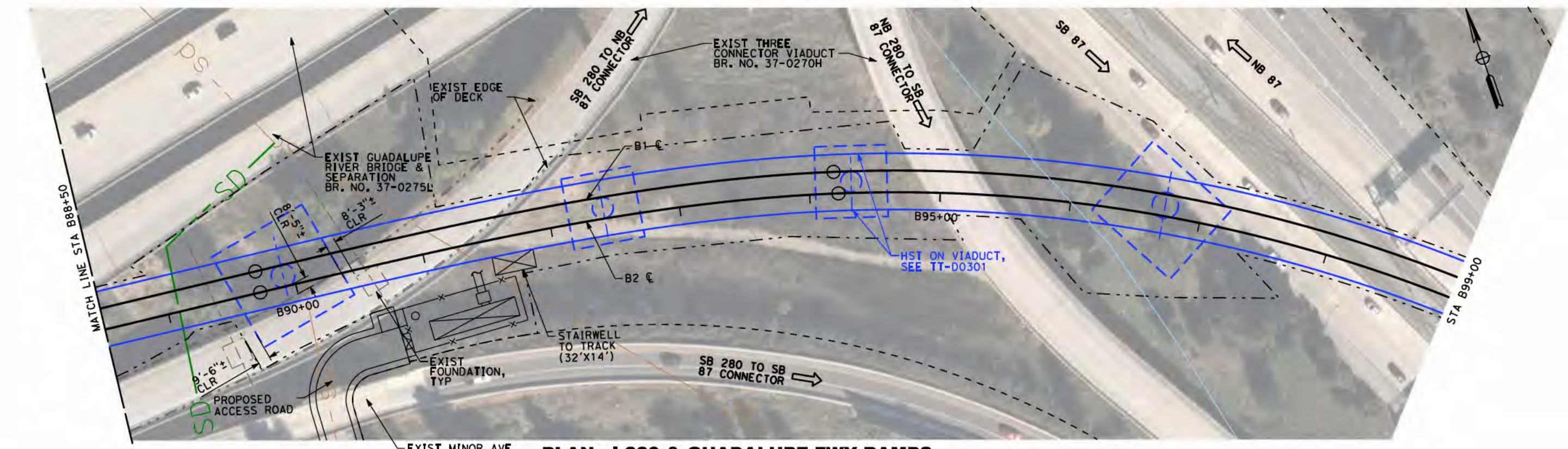
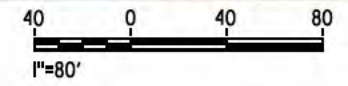
2021 RECORD SET PERD NOVEMBER 30, 2021 NOT FOR CONSTRUCTION	HNTB 1111 Broadway 9th Floor Oakland, CA 94607	CALIFORNIA High-Speed Rail Authority	CALIFORNIA HIGH-SPEED TRAIN PROJECT SAN JOSE TO MERCED SAN JOSE DIRIDON STATION APPROACH VIADUCT TO I-880 TYPICAL SECTIONS SHEET 3 OF 3	CONTRACT NO. HSR15-34 DRAWING NO. ST-V0303 SCALE AS SHOWN SHEET NO.
---	--	--	--	--



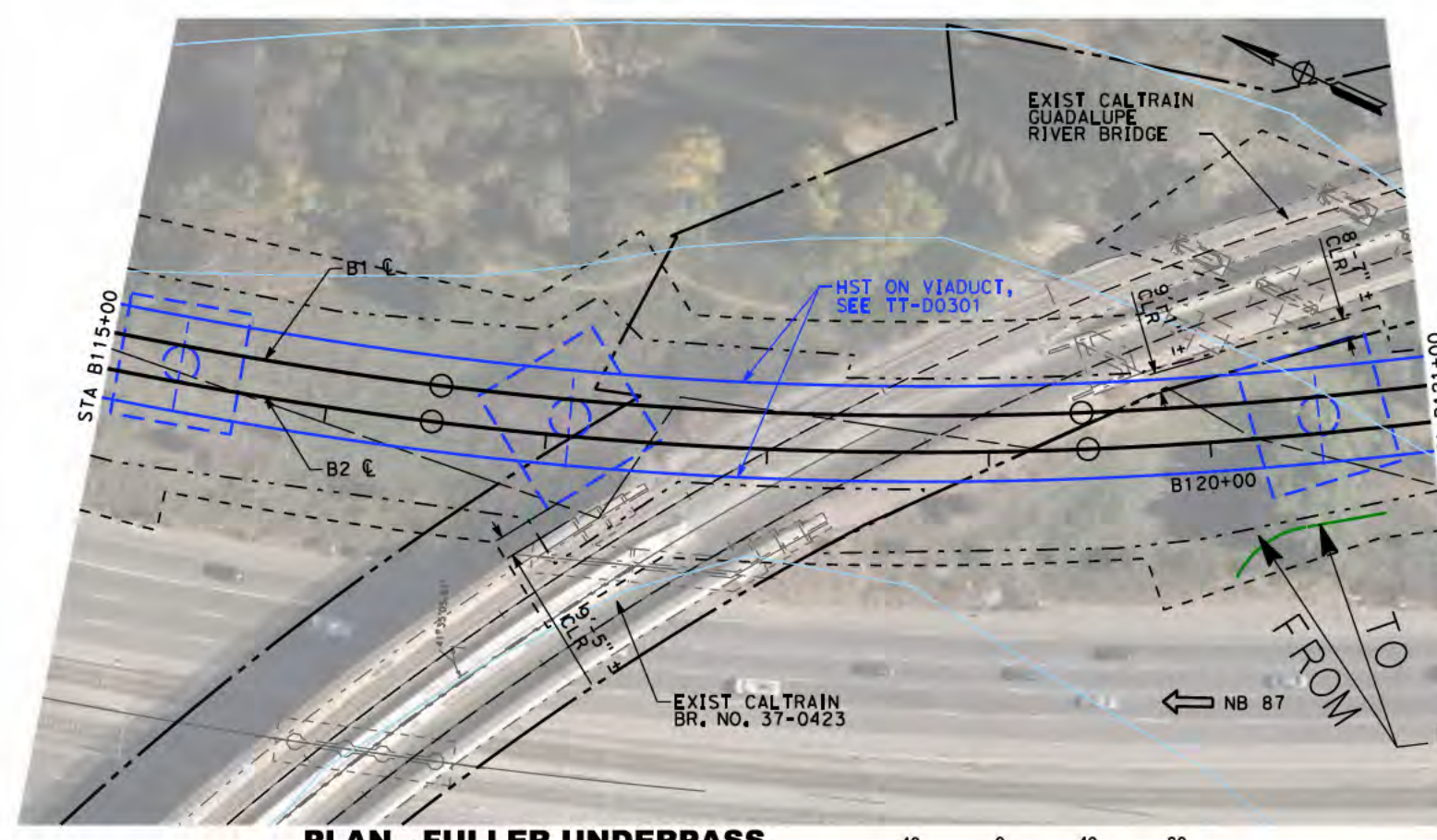
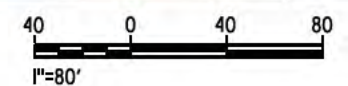
PLAN - I-880
SCALE: 1"=80'



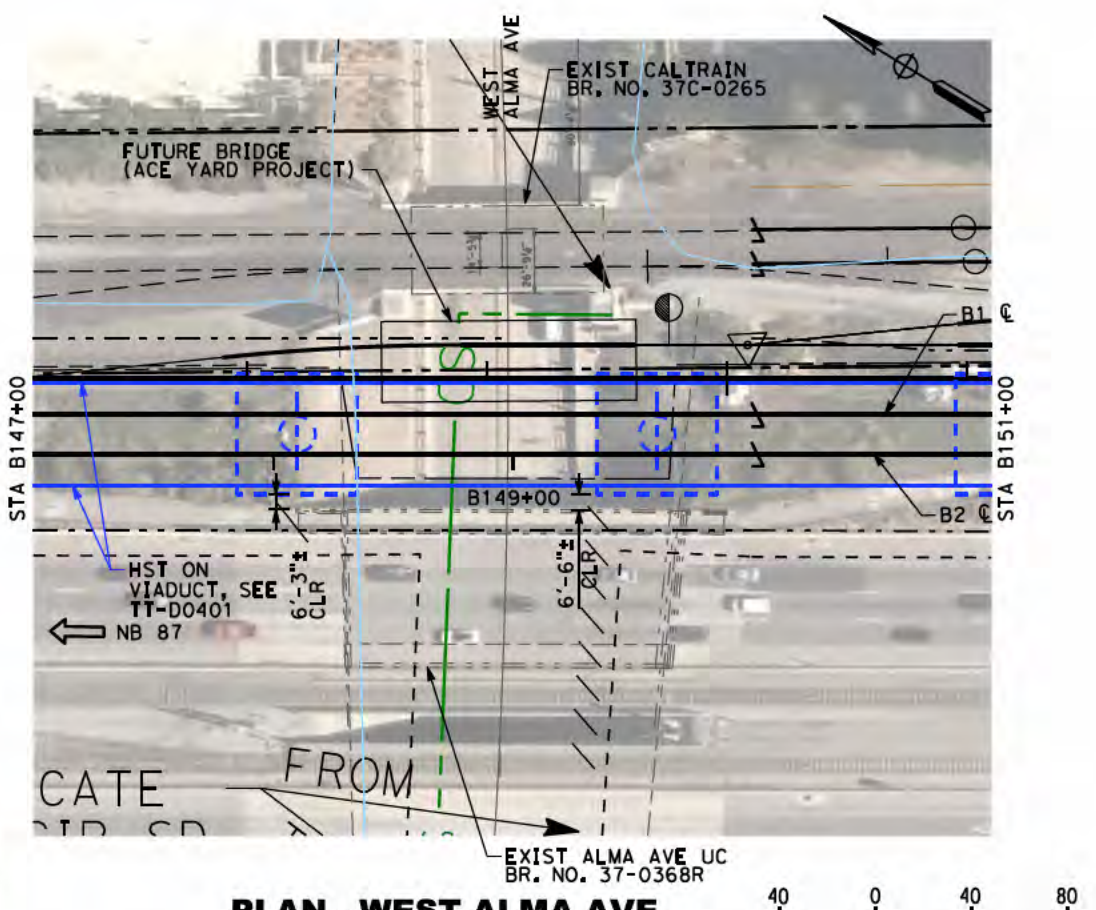
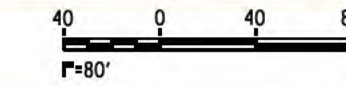
PLAN - I-280
SCALE: 1"=80'



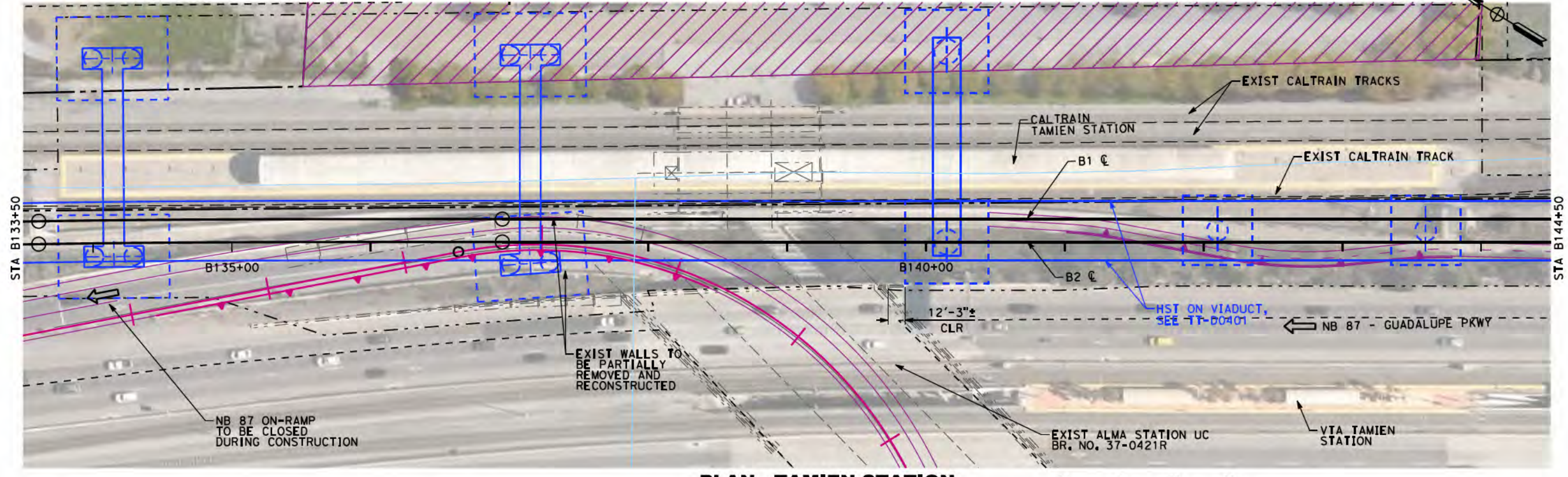
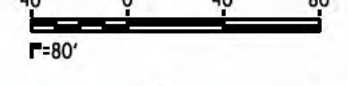
PLAN - I-280 & GUADALUPE FWY RAMP
SCALE: 1"=80'



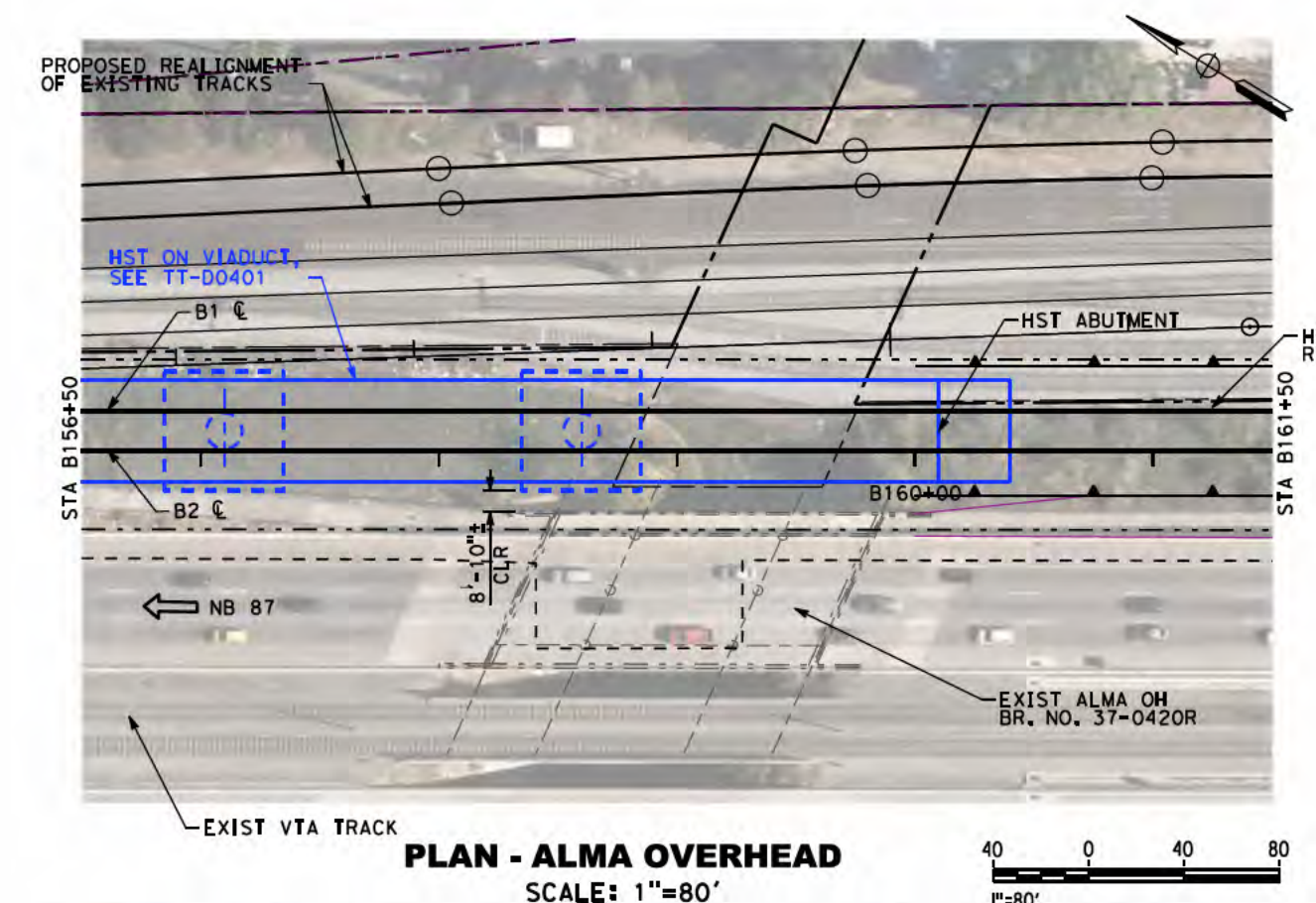
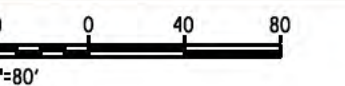
PLAN - FULLER UNDERPASS
SCALE: 1"=80'



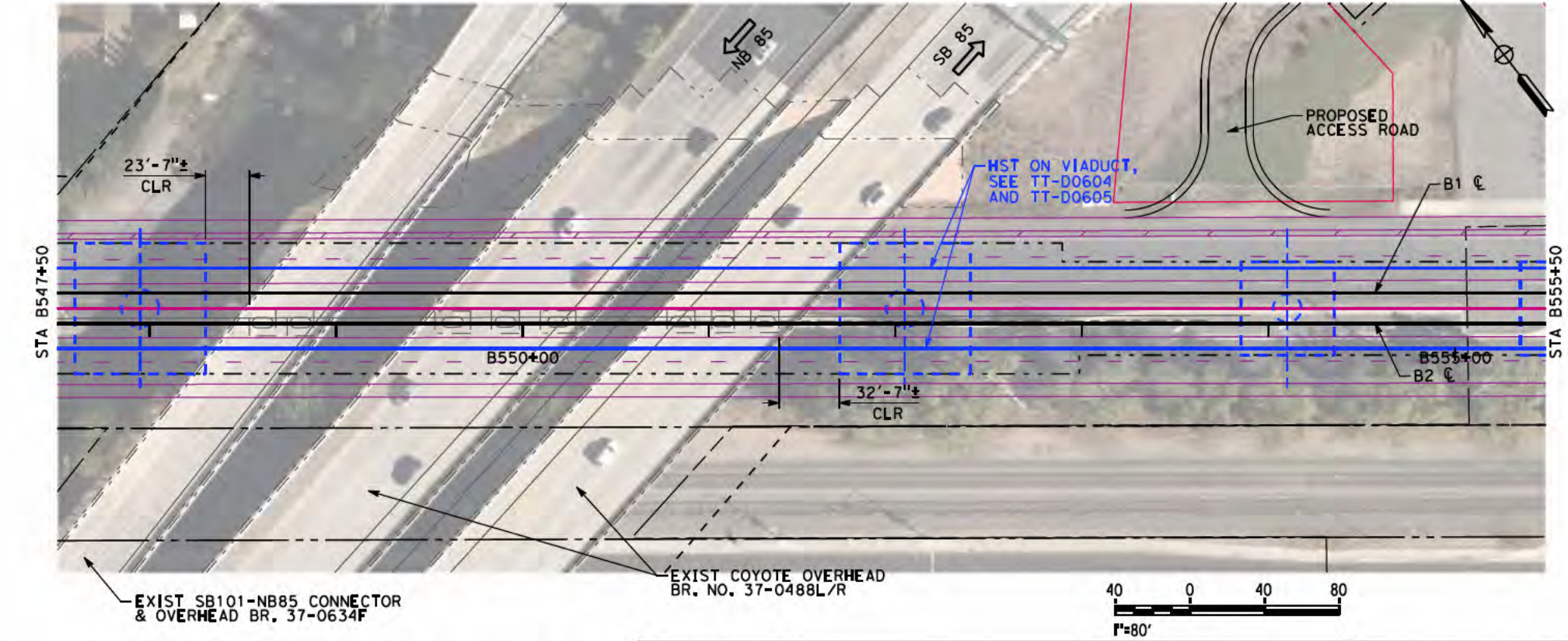
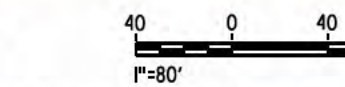
PLAN - WEST ALMA AVE
SCALE: 1"=80'



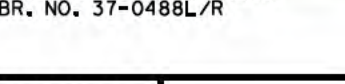
PLAN - TAMMEN STATION
SCALE: 1"=80'



PLAN - ALMA OVERHEAD
SCALE: 1"=80'

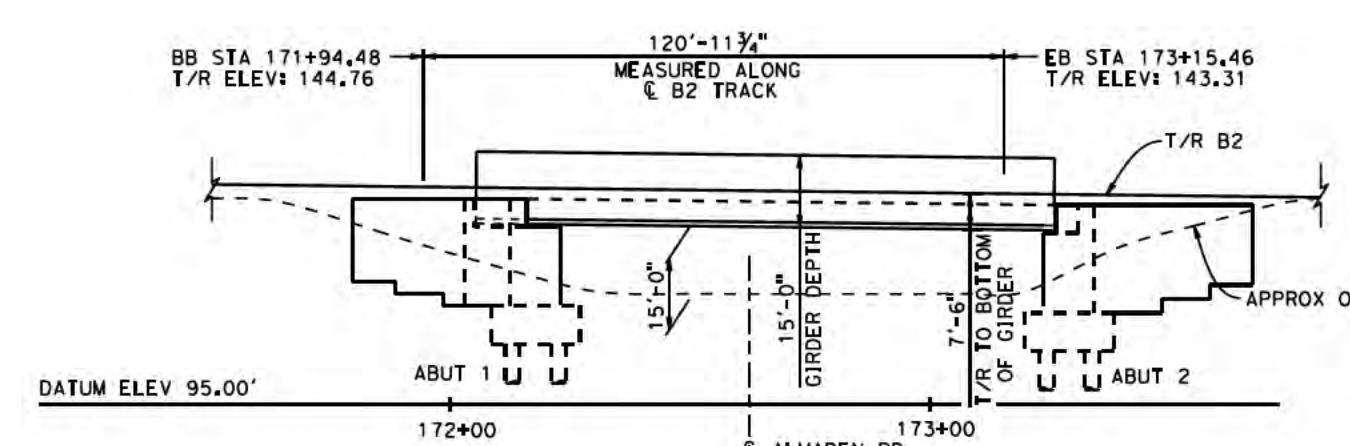


PLAN - COYOTE OVERHEAD
SCALE: 1"=80'

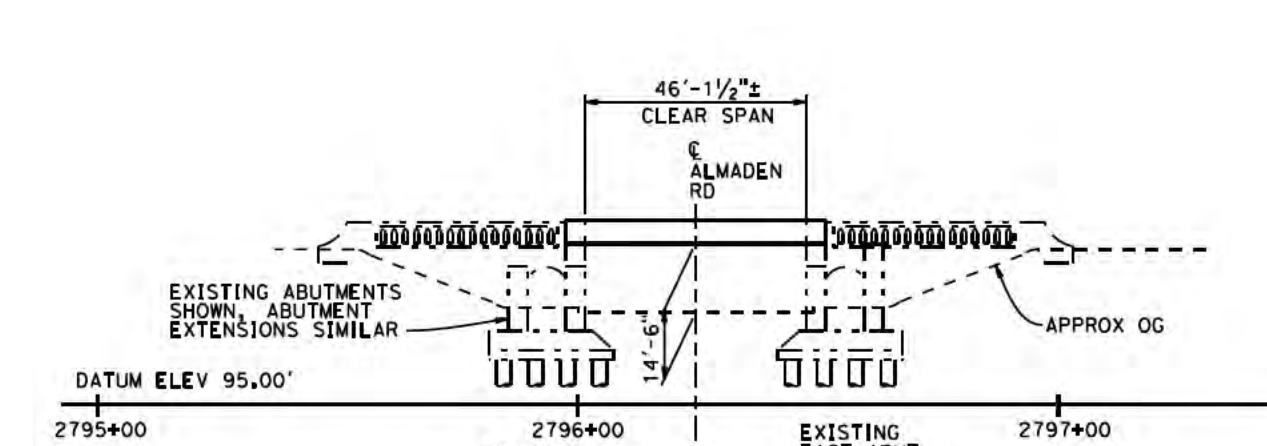


SAN JOSE TO CVY EIR/S: VOLUME III
ALTERNATIVE 3
BOOK 3C
SHEET 92 OF 237

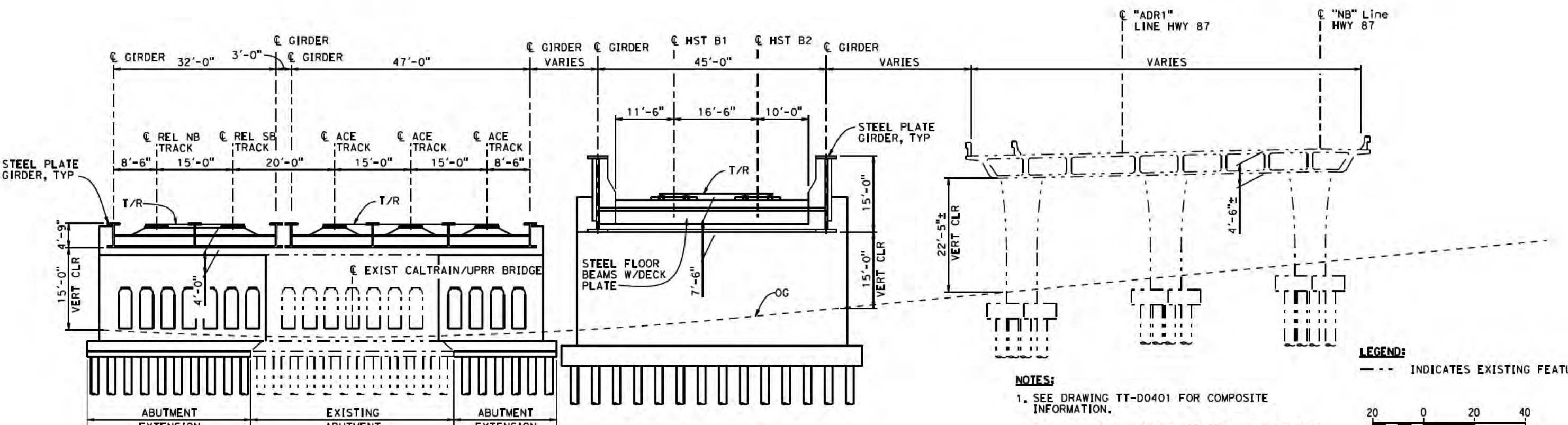
2021 RECORD SET PBD NOVEMBER 30, 2021 NOT FOR CONSTRUCTION		1111 Broadway 9th Floor Oakland, CA 94607		CALIFORNIA HIGH-SPEED TRAIN PROJECT SAN JOSE TO MERCED SAN JOSE DIRIDON STATION APPROACH VIADUCT TO I-880 CALTRANS STRUCTURES GENERAL PLAN	CONTRACT NO. HSR15-34 DRAWING NO. ST-T0301 SCALE AS SHOWN SHEET NO.
--	--	---	--	---	---



ELEVATION - HST BRIDGE
SCALE: 1"=20'
(SKEW NOT SHOWN)



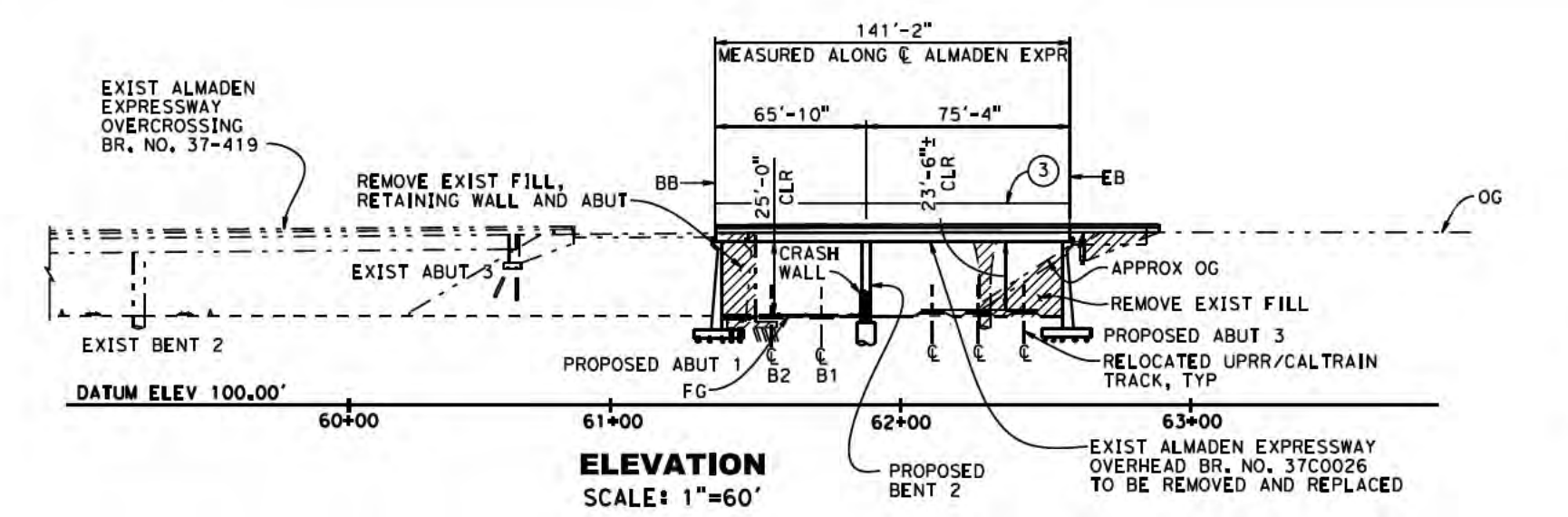
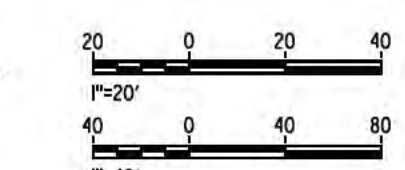
ELEVATION - CALTRAIN/UPRR BRIDGE
SCALE: 1"=20'
(SKEW NOT SHOWN)



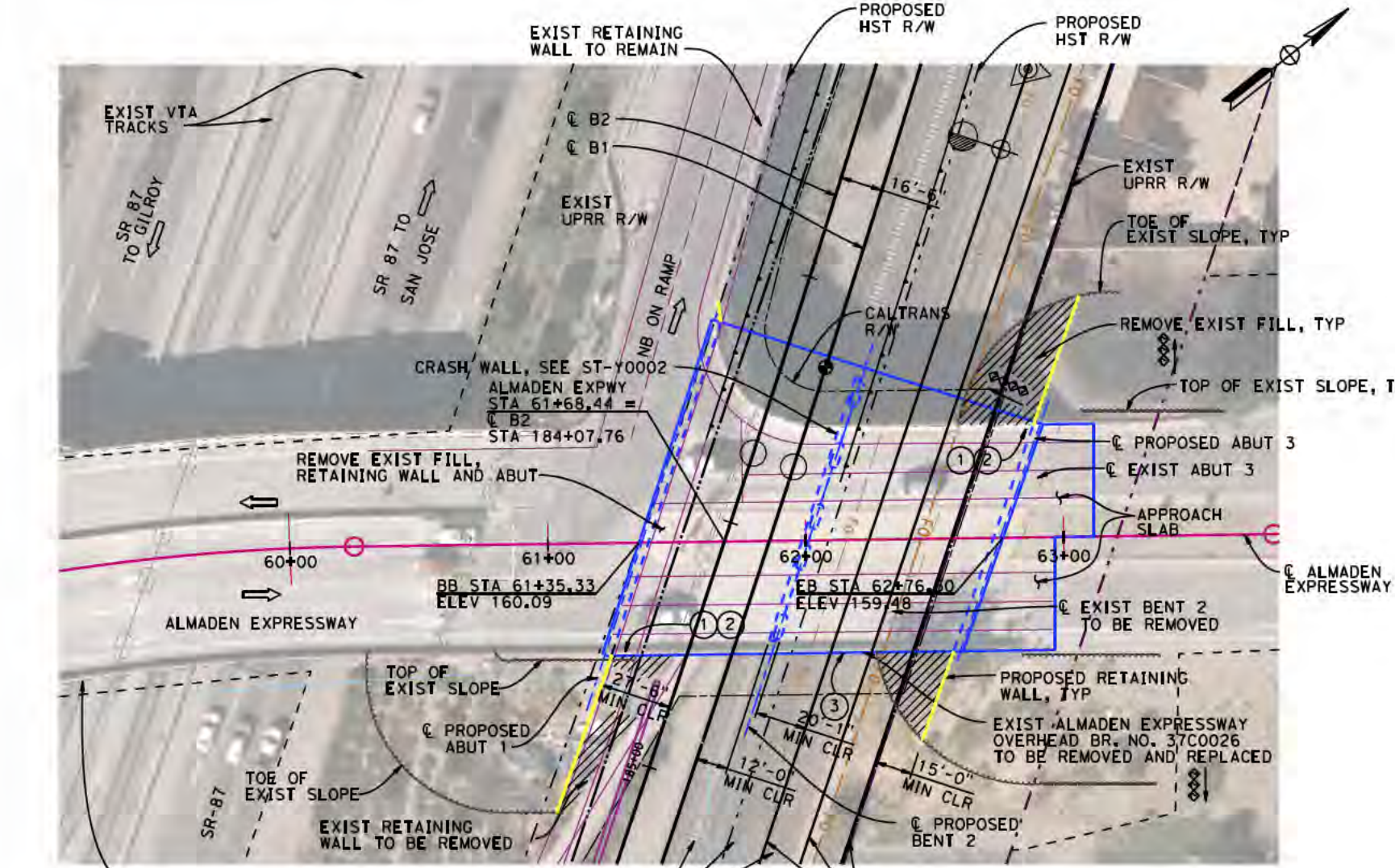
SECTION
SCALE: 1"=40'

- NOTES:**
- SEE DRAWING TT-D0401 FOR COMPOSITE INFORMATION.
 - SEE DRAWING CV-T0402 FOR CIVIL AND ROADWAY INFORMATION.
 - FOR STAGING PLANS SEE CIVIL AND GRADE SEPARATION PLANS.

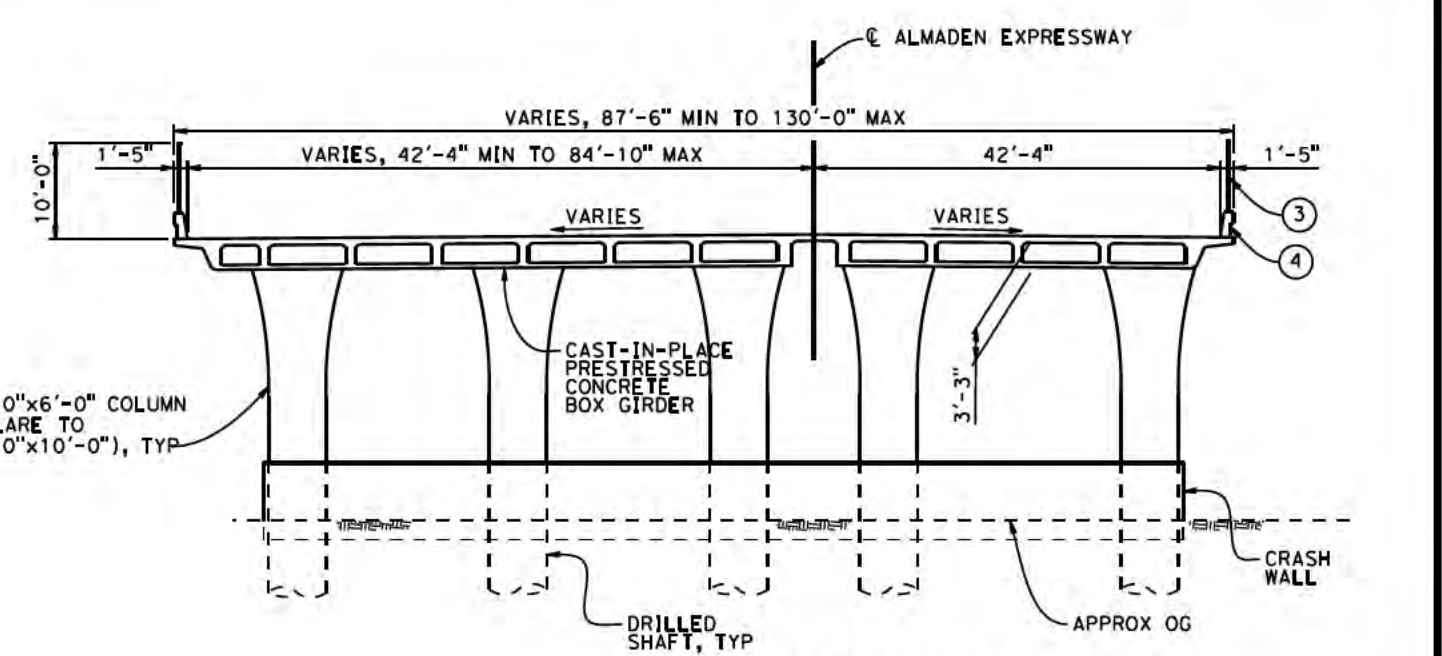
LEGEND:
--- INDICATES EXISTING FEATURES



ELEVATION
SCALE: 1"=60'

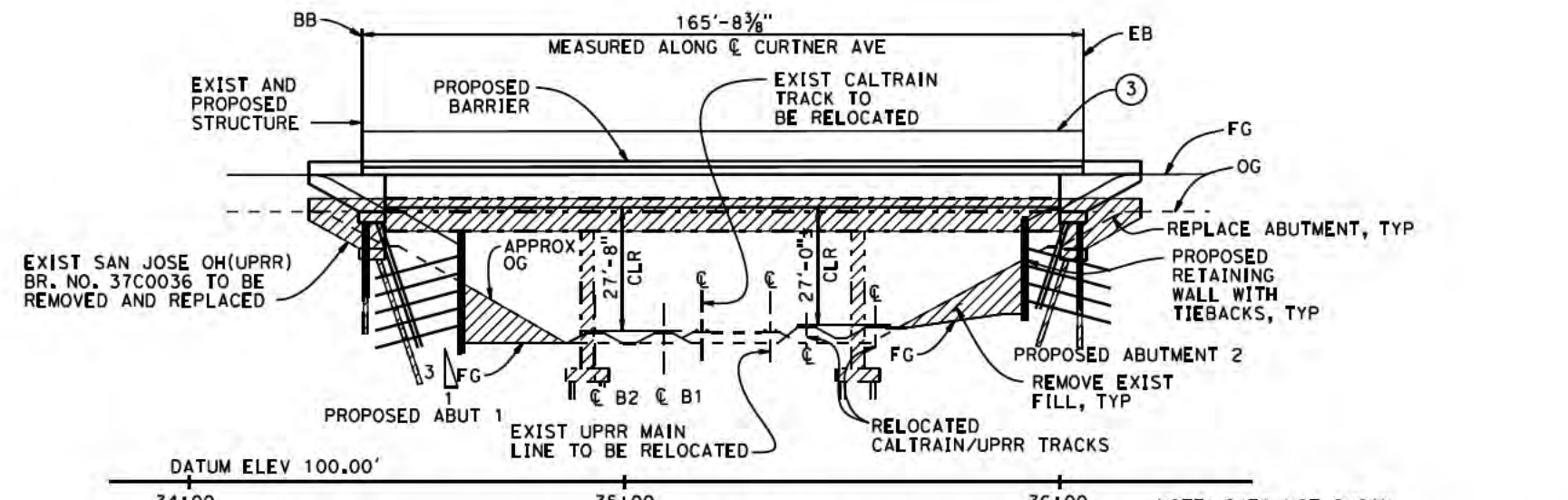


PLAN - ALMADEN EXPRESSWAY
SCALE: 1"=60'

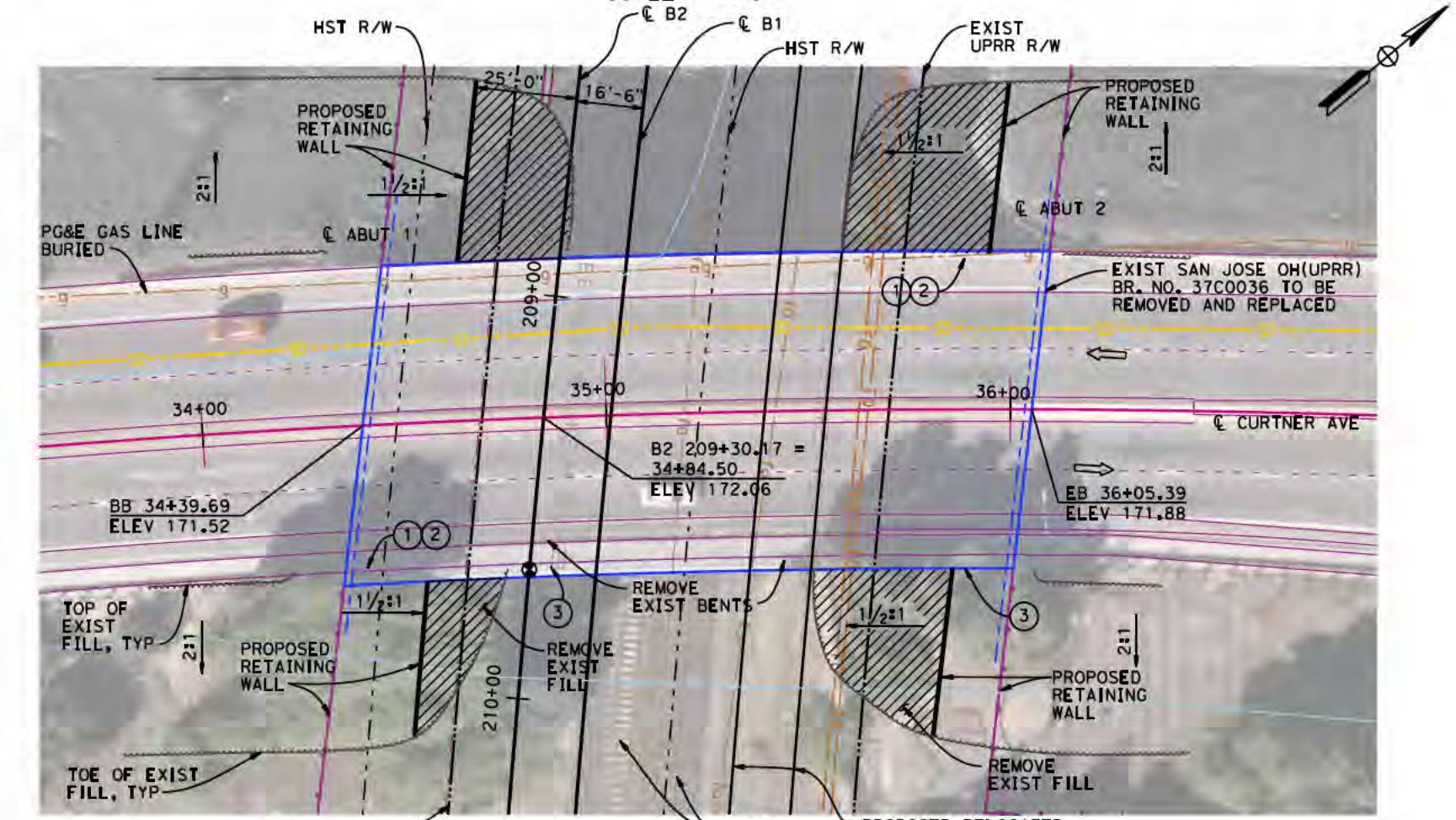


TYPICAL SECTION
SCALE: 1"=20'

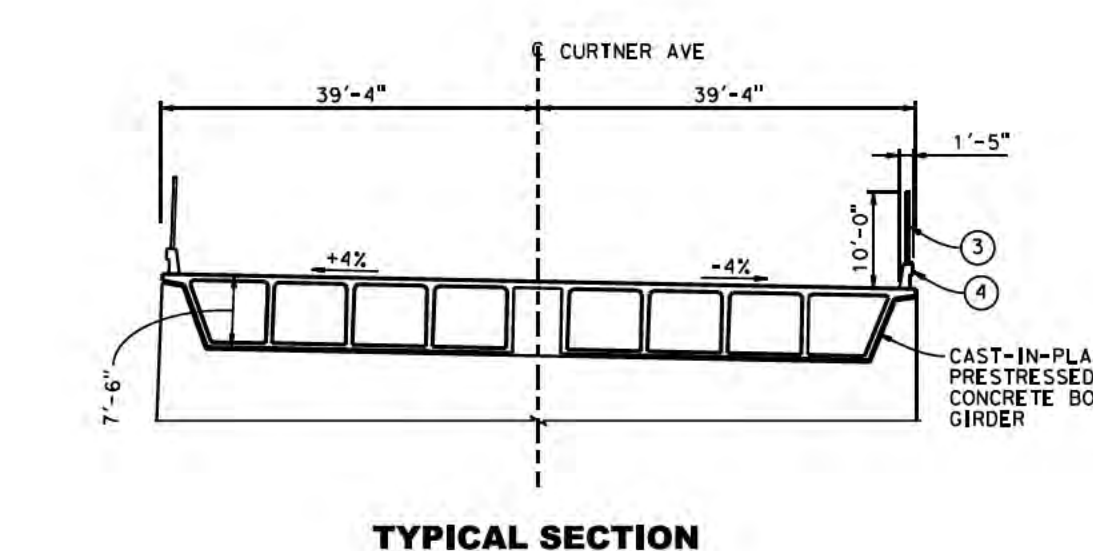
- LEGEND:**
- INDICATES POINT OF MINIMUM VERTICAL CLEARANCE
 - ➔ INDICATES DIRECTION OF TRAFFIC
 - - - INDICATES EXISTING FEATURES
 - ▨ INDICATES LIMITS OF REMOVAL
 - ① PAINT "ALMADEN EXPRESSWAY OVERHEAD"
 - ② PAINT "BRIDGE NO. XX-XXXX"
 - ③ CHAIN LINK RAILING TYPE 7, TYP (MOD)
 - ④ CONCRETE BARRIER TYPE 732, TYP
- NOTES:**
- SEE DRAWING TT-D0401 FOR COMPOSITE INFORMATION.
 - FOR STAGING PLANS SEE CIVIL AND GRADE SEPARATION PLANS.



ELEVATION
SCALE: 1"=40'



PLAN - CURTNER AVENUE
SCALE: 1"=40'

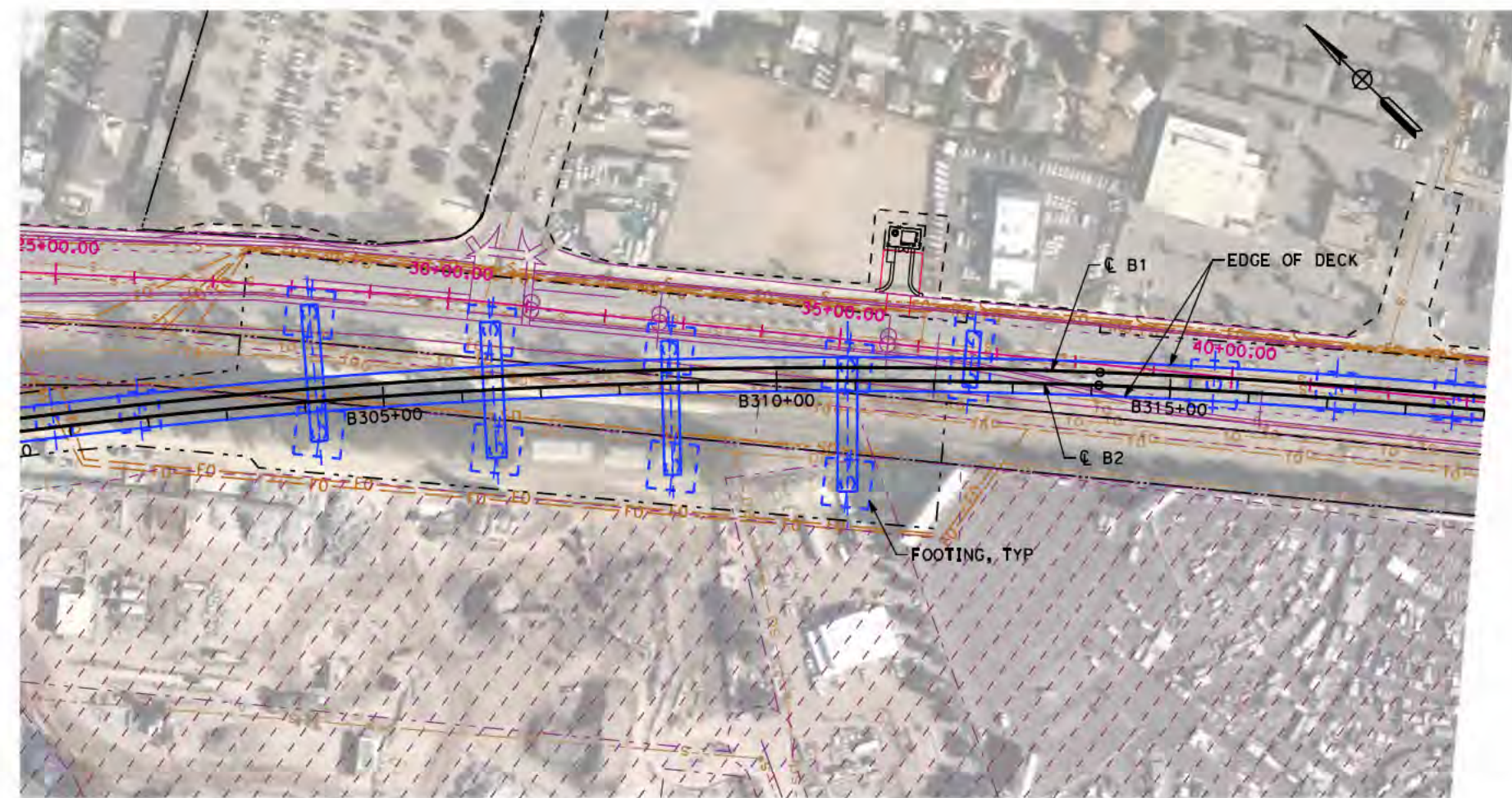


TYPICAL SECTION
SCALE: 1"=20'

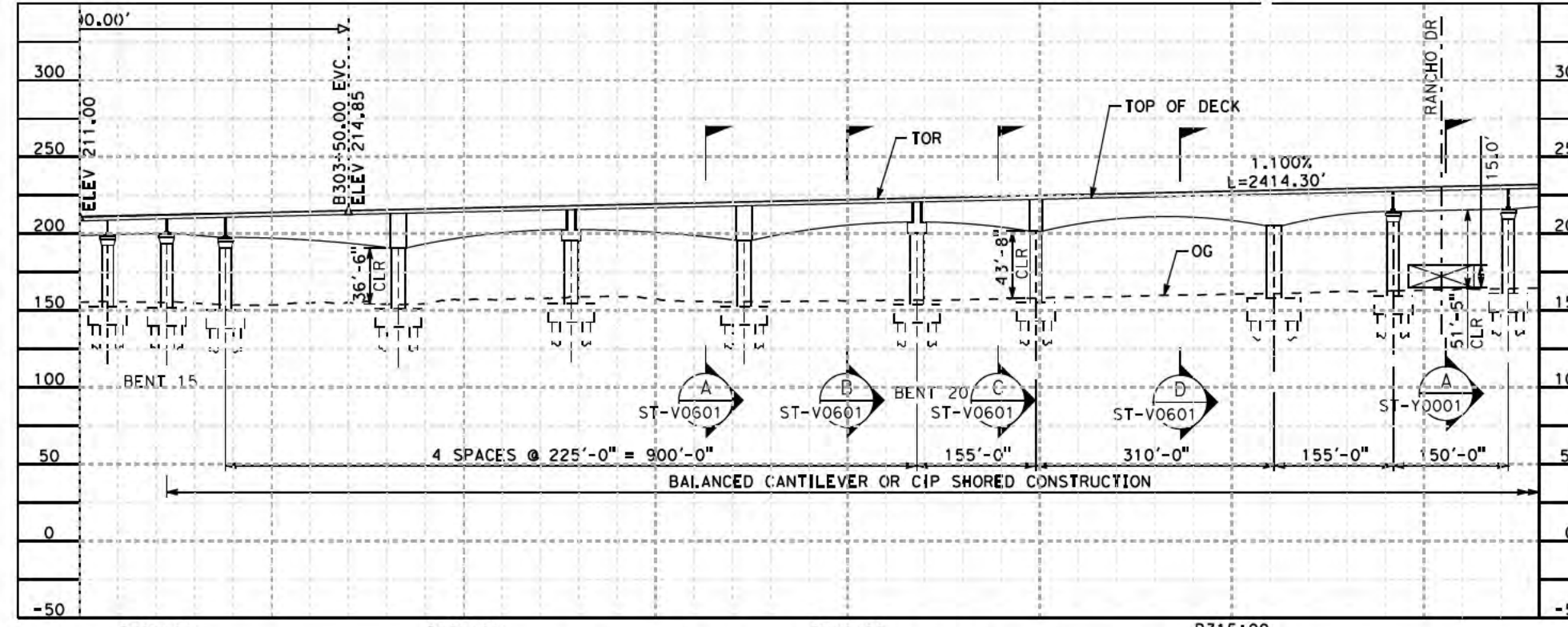
- LEGEND:**
- INDICATES POINT OF MINIMUM VERTICAL CLEARANCE
 - ➔ INDICATES DIRECTION OF TRAFFIC
 - - - INDICATES EXISTING FEATURES
 - ▨ INDICATES LIMITS OF REMOVAL
 - ① PAINT "CURTNER AVENUE OVERHEAD"
 - ② PAINT "BRIDGE NO. XX-XXXX"
 - ③ CHAIN LINK RAILING TYPE 7, TYP (MOD)
 - ④ CONCRETE BARRIER TYPE 732, TYP
- NOTES:**
- SEE DRAWING TT-D0401 FOR COMPOSITE INFORMATION.
 - SEE DRAWING CV-T0402 FOR CIVIL AND ROADWAY INFORMATION.
 - FOR STAGING PLANS SEE CIVIL AND GRADE SEPARATION PLANS.

SAN JOSE TO CVY EIR/S: VOLUME III
ALTERNATIVE 3
BOOK 3C
SHEET 93 OF 237

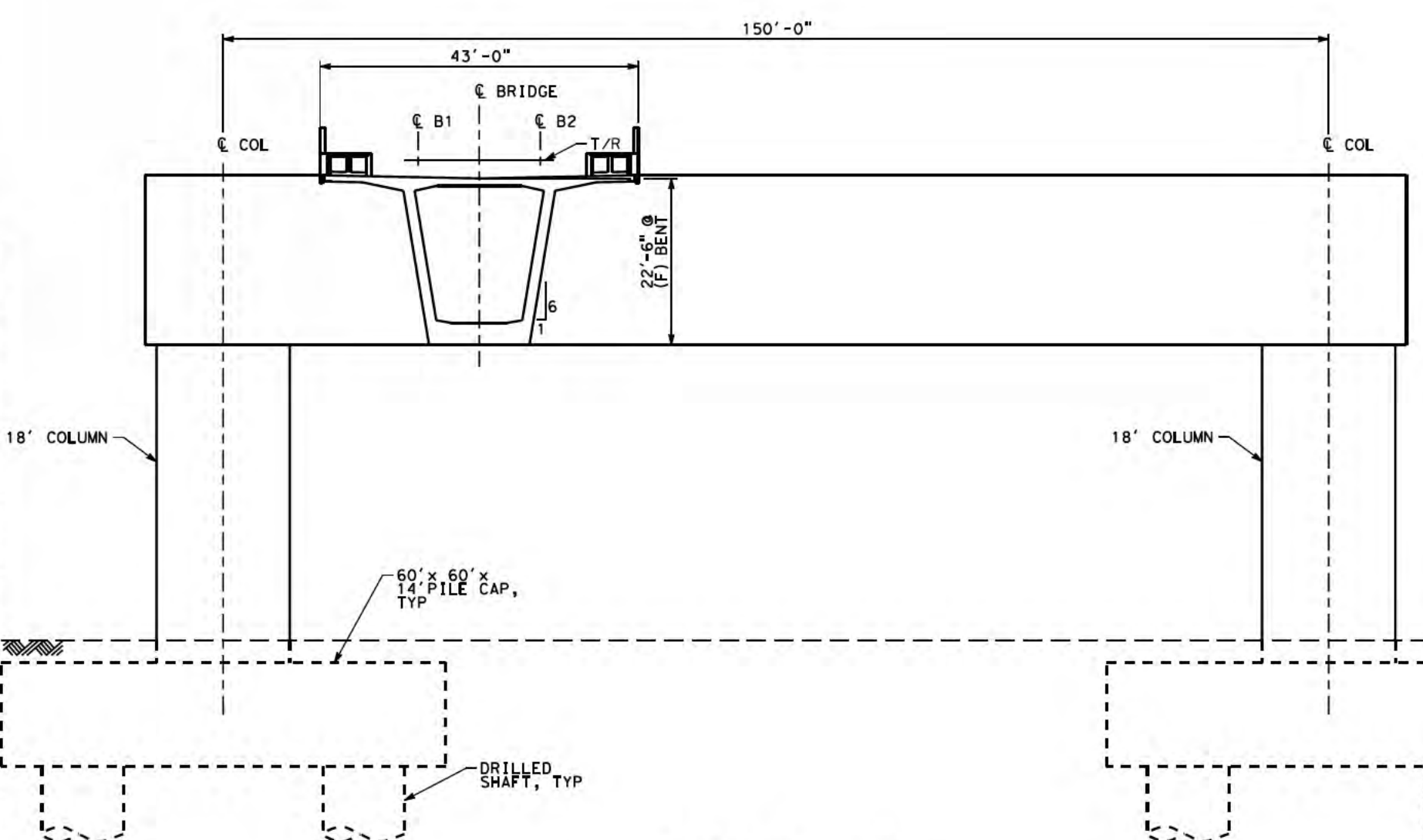
2021 RECORD SET PBD NOVEMBER 30, 2021 NOT FOR CONSTRUCTION	HNTB 1111 Broadway 9th Floor Oakland, CA 94607	CALIFORNIA High-Speed Rail Authority	CALIFORNIA HIGH-SPEED TRAIN PROJECT SAN JOSE TO MERCED MONTEREY CORRIDOR VIADUCT/AT-GRADE OVERPASSES AND UNDERPASSES GENERAL PLAN	CONTRACT NO. HSR15-34 DRAWING NO. ST-T0401 SCALE AS SHOWN SHEET NO.
--	--	--	---	--



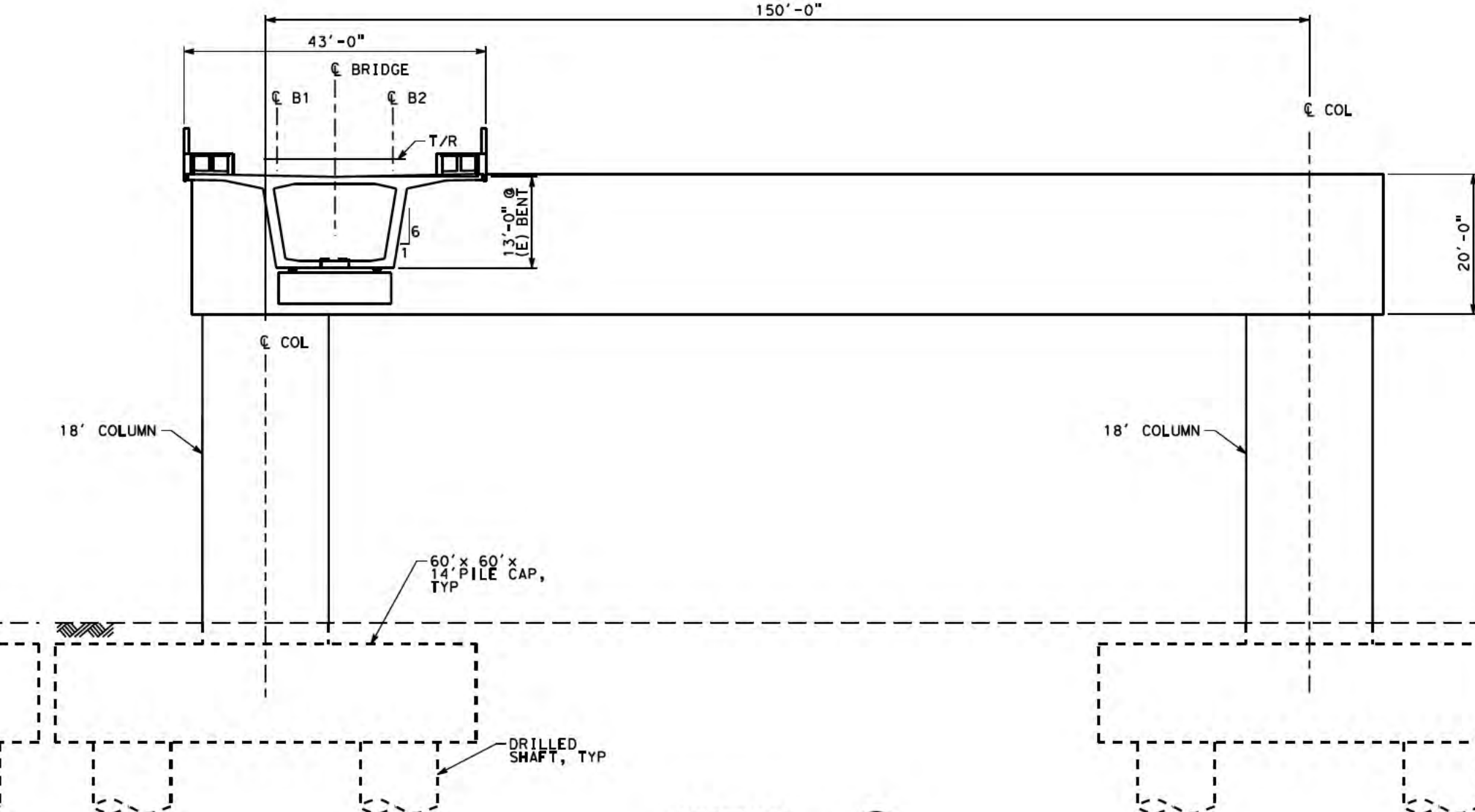
PLAN - CAPITOL CALTRAIN
SCALE: 1"=200'



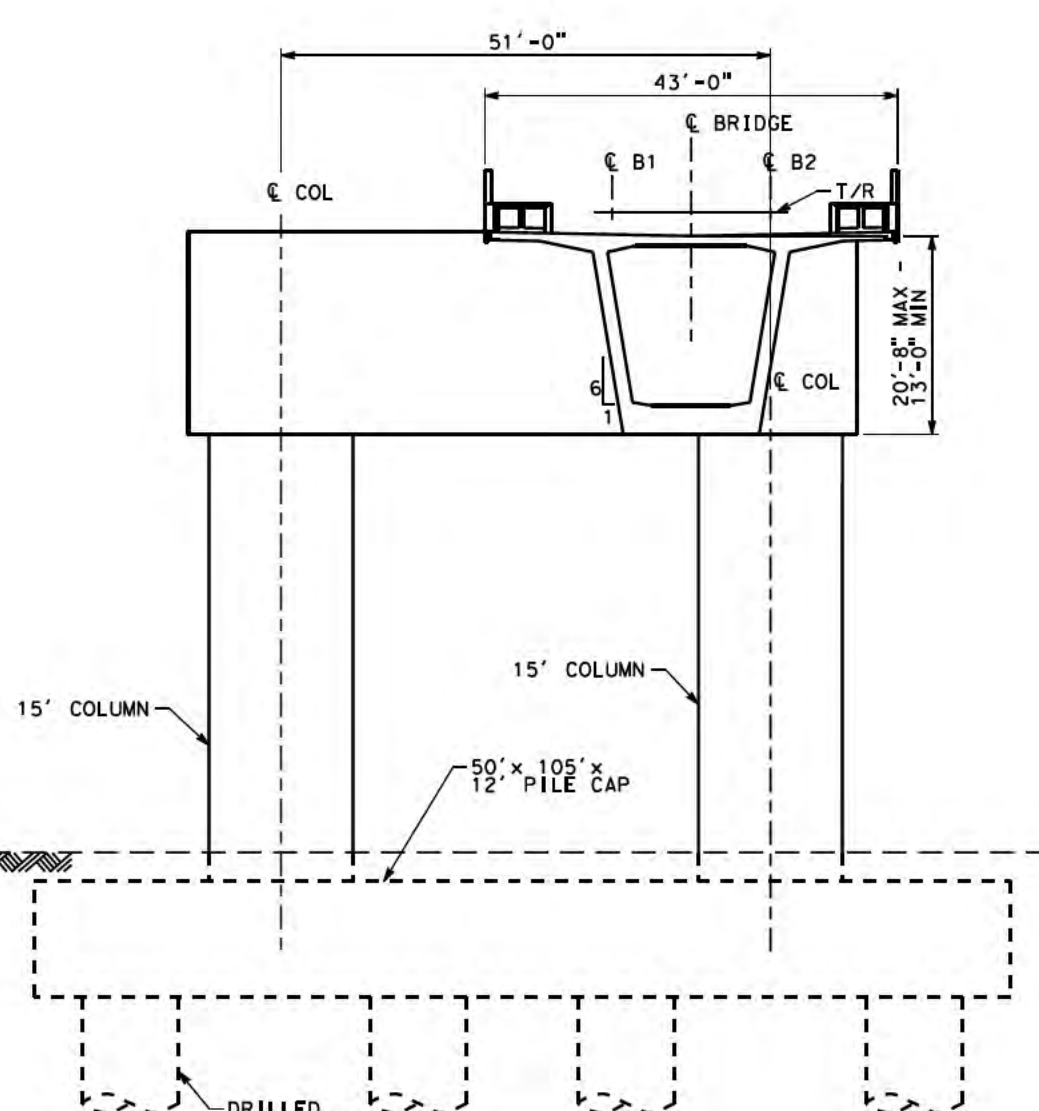
PROFILE - CAPITOL CALTRAIN
SCALE: 1"=200' HOR, 1"=100' VERT



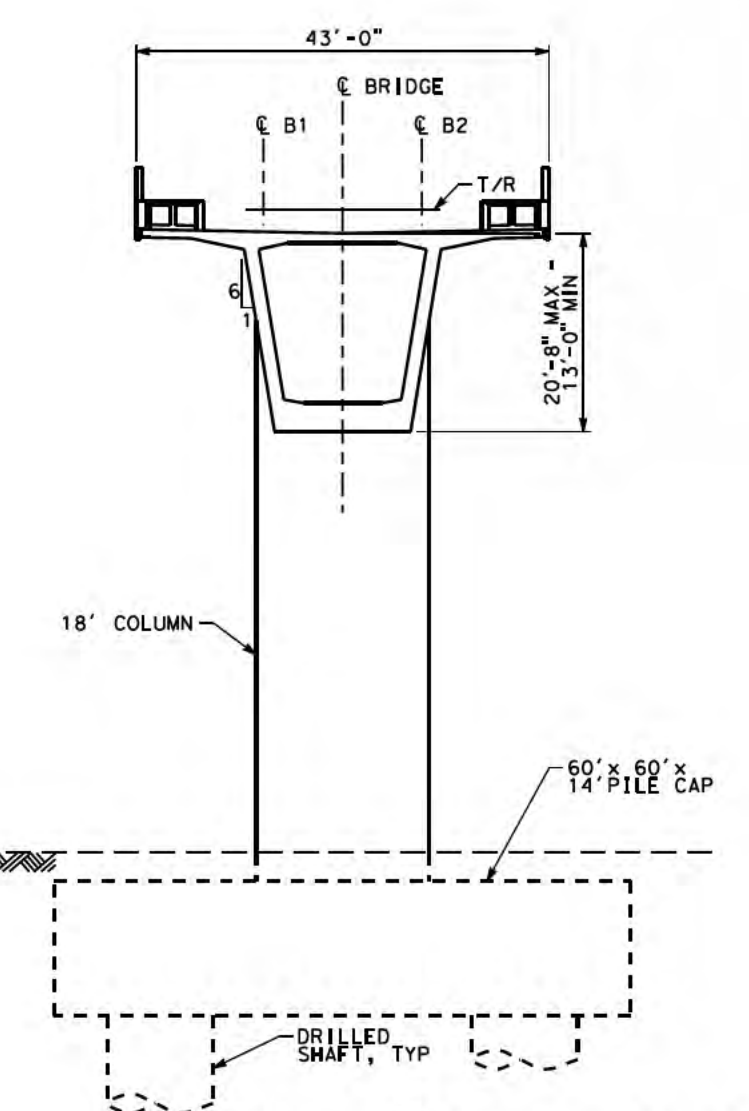
SECTION A-A
SCALE 1"=20'-0"



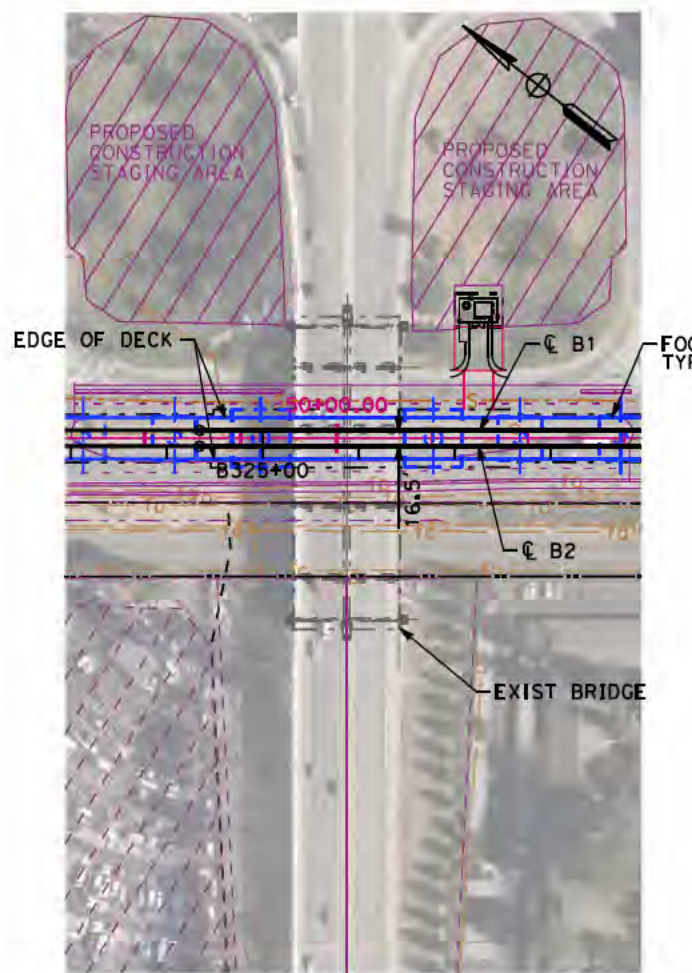
SECTION B-B
SCALE 1"=20'-0"



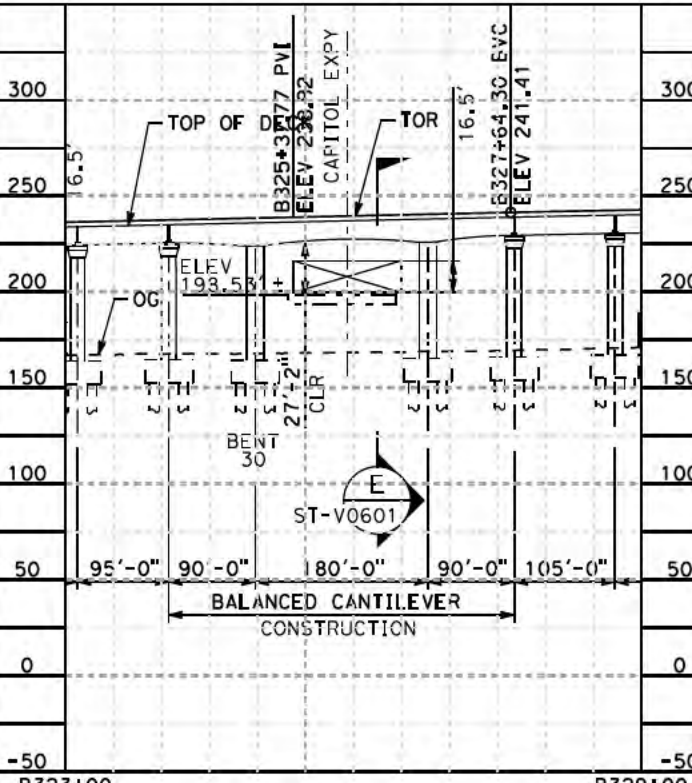
SECTION C-C
SCALE 1"=20'-0"



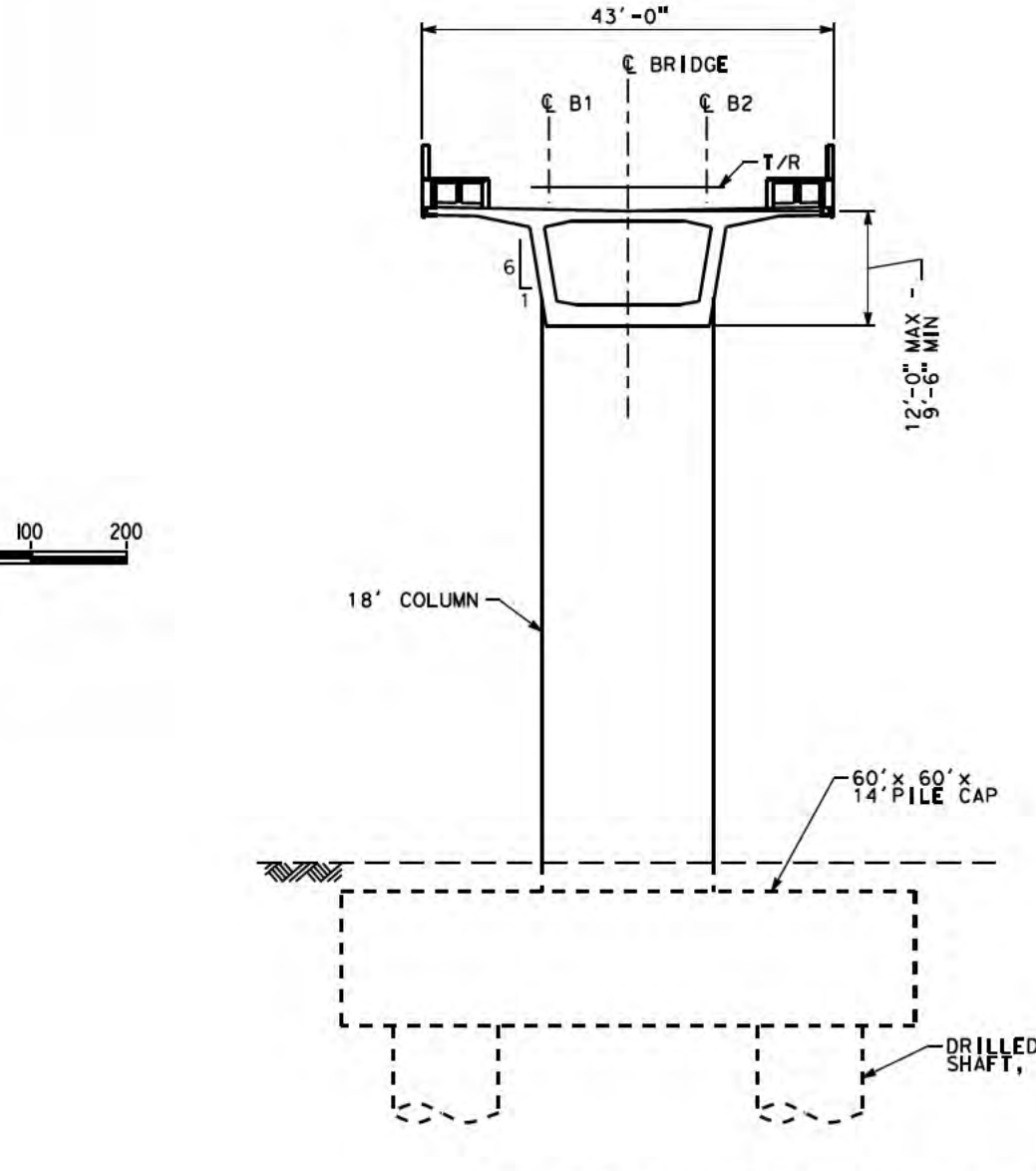
SECTION D-D
SCALE 1"=20'-0"



PLAN - CAPITOL EXPRESSWAY
SCALE: 1"=200'



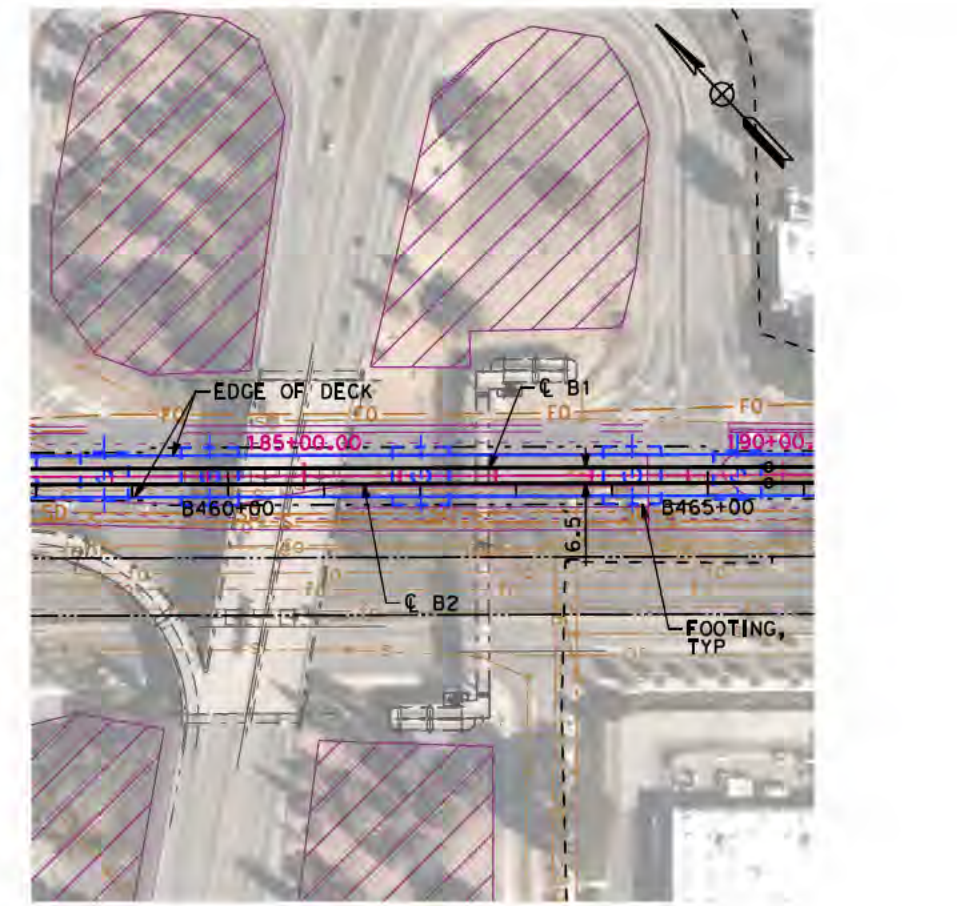
PROFILE - CAPITOL EXPRESSWAY
SCALE: 1"=200' HOR, 1"=100' VERT



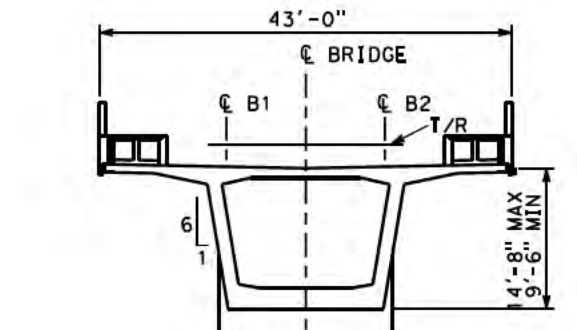
SECTION E-E
SCALE 1"=20'-0"

2021 RECORD SET PBD NOVEMBER 30, 2021 NOT FOR CONSTRUCTION	HNTB 1111 Broadway 9th Floor Oakland, CA 94607		CALIFORNIA HIGH-SPEED TRAIN PROJECT SAN JOSE TO MERCED MONTEREY CORRIDOR VIADUCT COMPLEX STRUCTURES GENERAL PLAN 1 OF 2		CONTRACT NO. HSR15-34
			DRAWING NO. ST-V0601	SCALE AS SHOWN	SHEET NO.

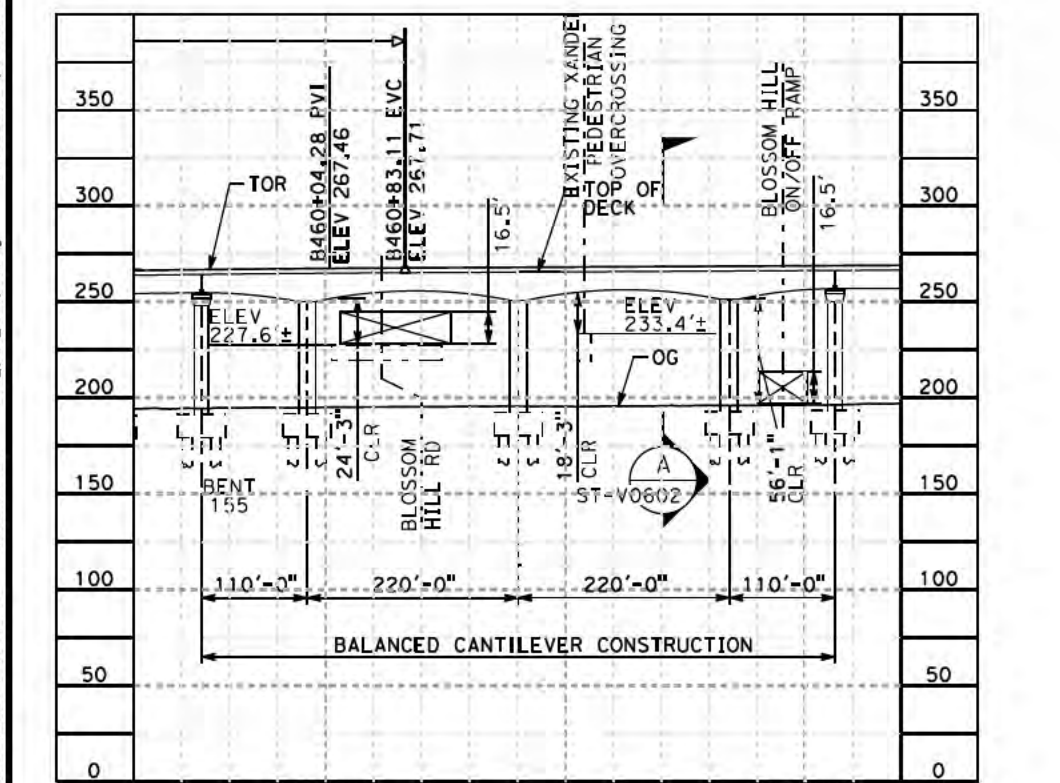
SAN JOSE TO CVY EIR/S: VOLUME III
ALTERNATIVE 3
BOOK 3C
SHEET 94 OF 237



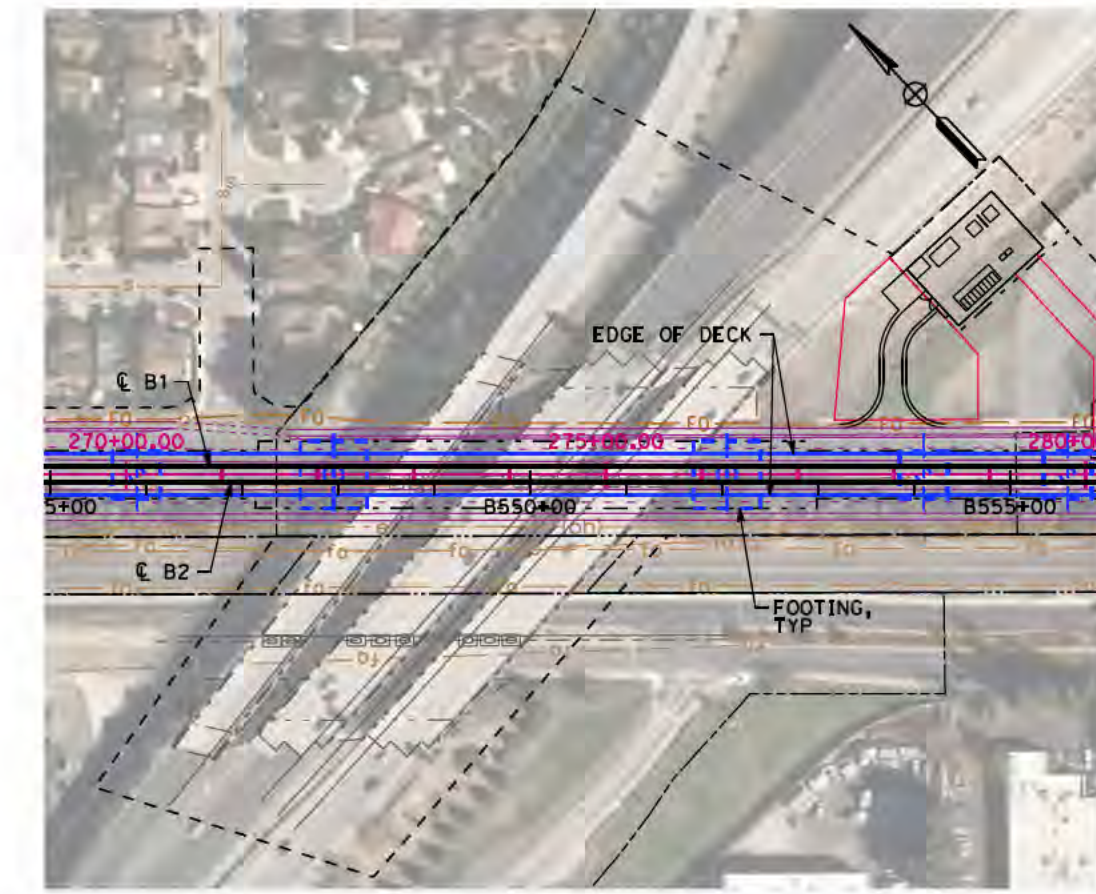
PLAN - BLOSSOM HILL ROAD
SCALE: 1"=200'



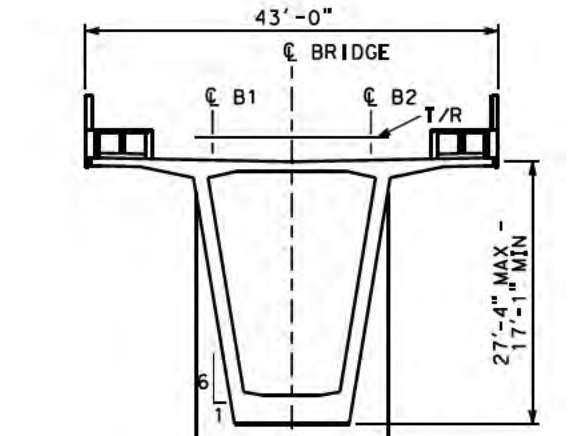
SECTION
SCALE 1"=20'-0"



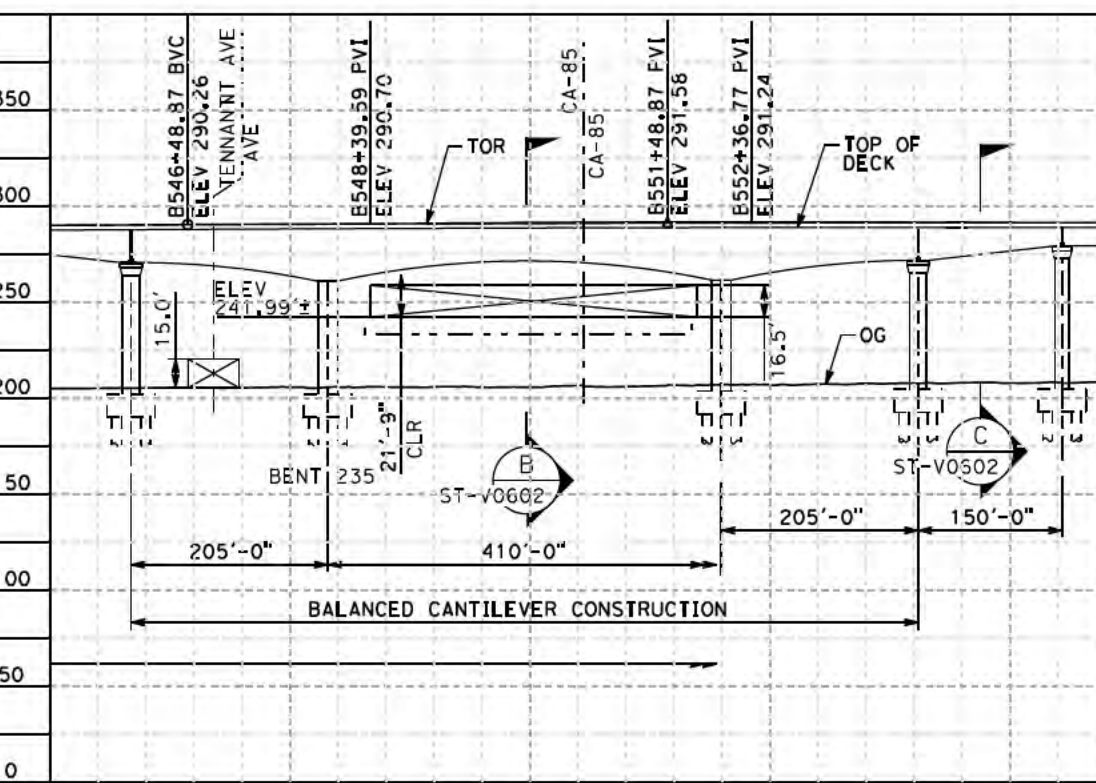
PROFILE - BLOSSOM HILL ROAD
SCALE: 1"=200' HOR, 1"=100' VERT



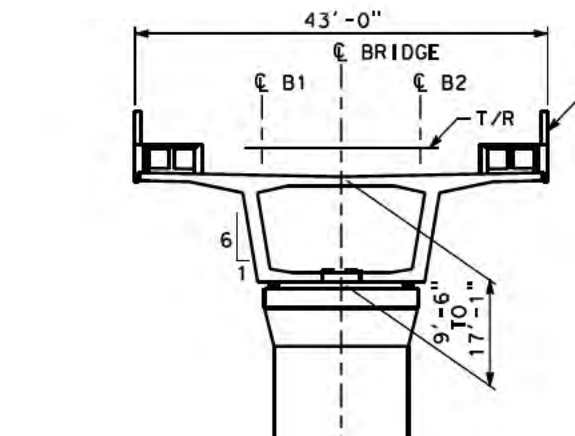
PLAN - STATE ROUTE 85
SCALE: 1"=200'



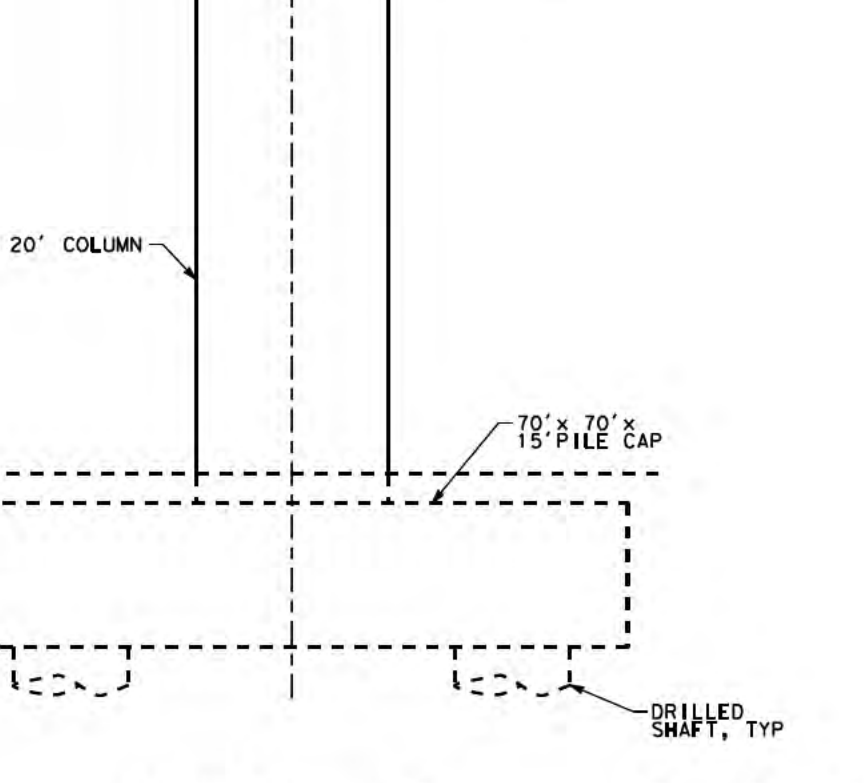
SECTION
SCALE 1"=20'-0"



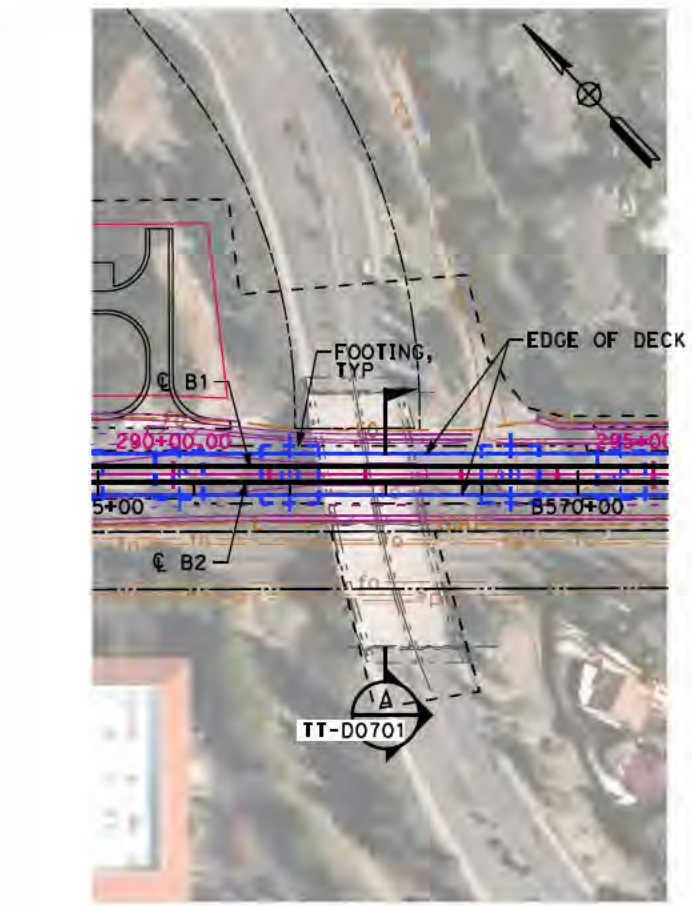
PROFILE - STATE ROUTE 85
SCALE: 1"=200' HOR, 1"=100' VERT



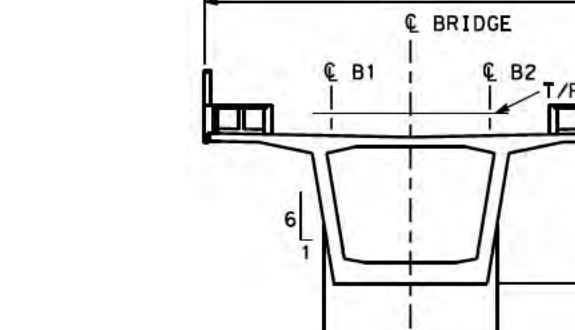
SECTION
SCALE 1"=20'-0"



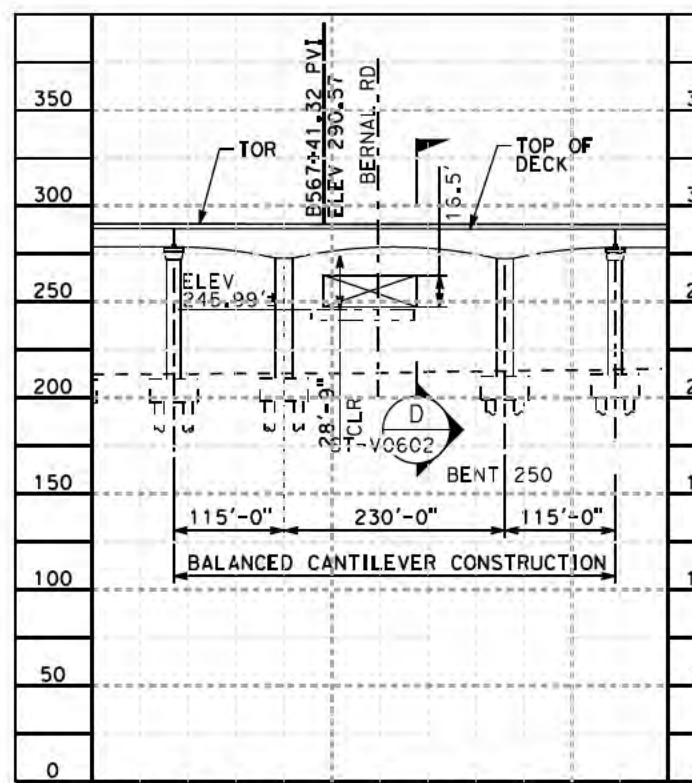
PROFILE - STATE ROUTE 85
SCALE: 1"=200' HOR, 1"=100' VERT



PLAN - BERNAL ROAD
SCALE: 1"=200'



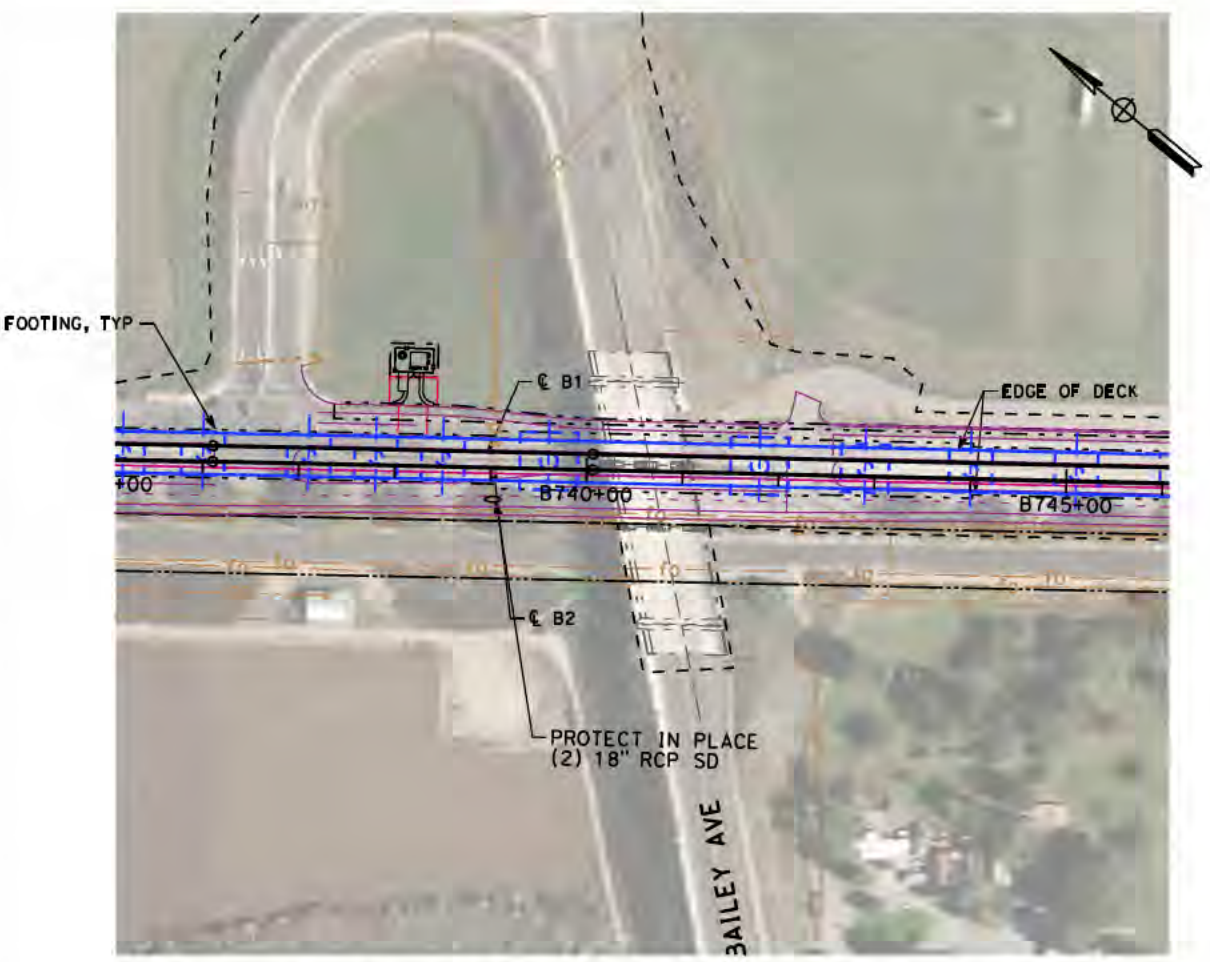
SECTION
SCALE 1"=20'-0"



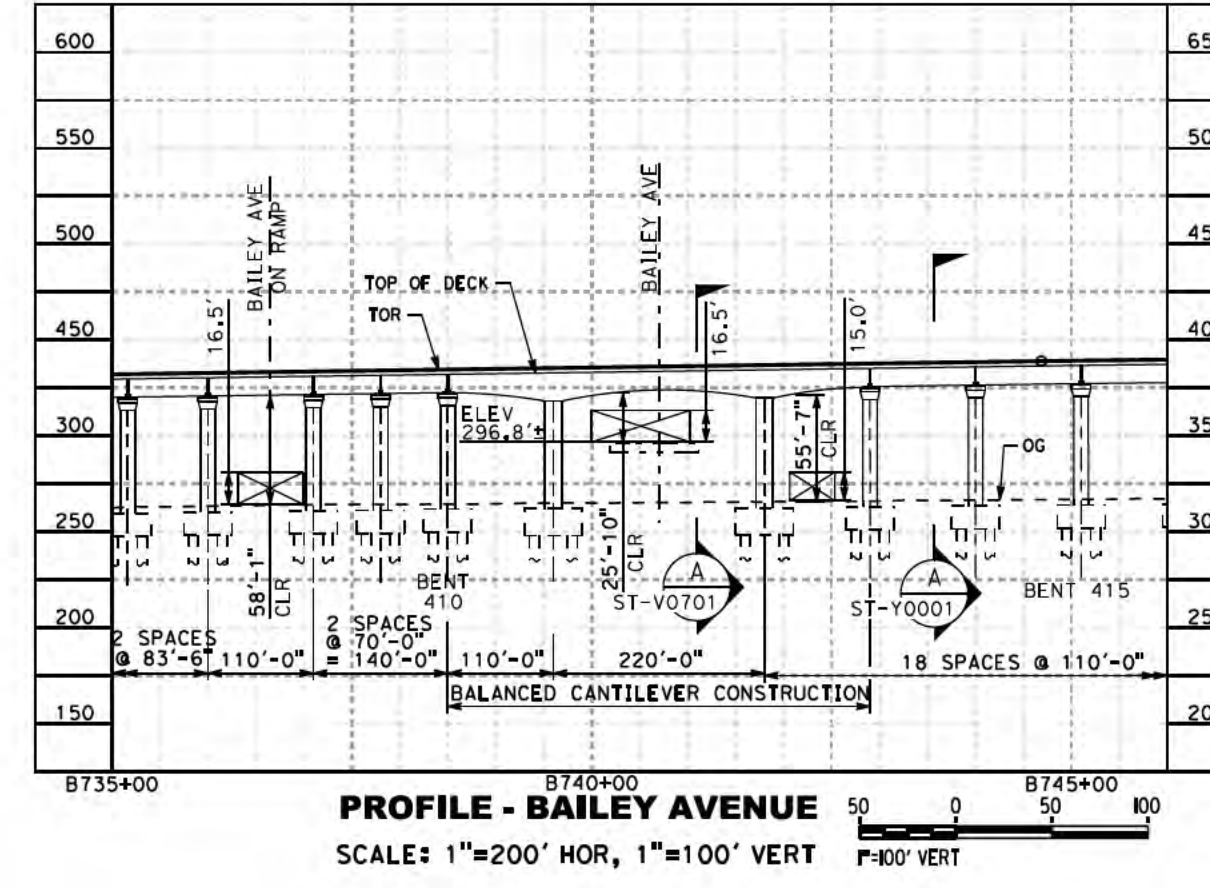
PROFILE - BERNAL ROAD
SCALE: 1"=200' HOR, 1"=100' VERT

SAN JOSE TO CVY EIR/S: VOLUME III
ALTERNATIVE 3
BOOK 3C
SHEET 95 OF 237

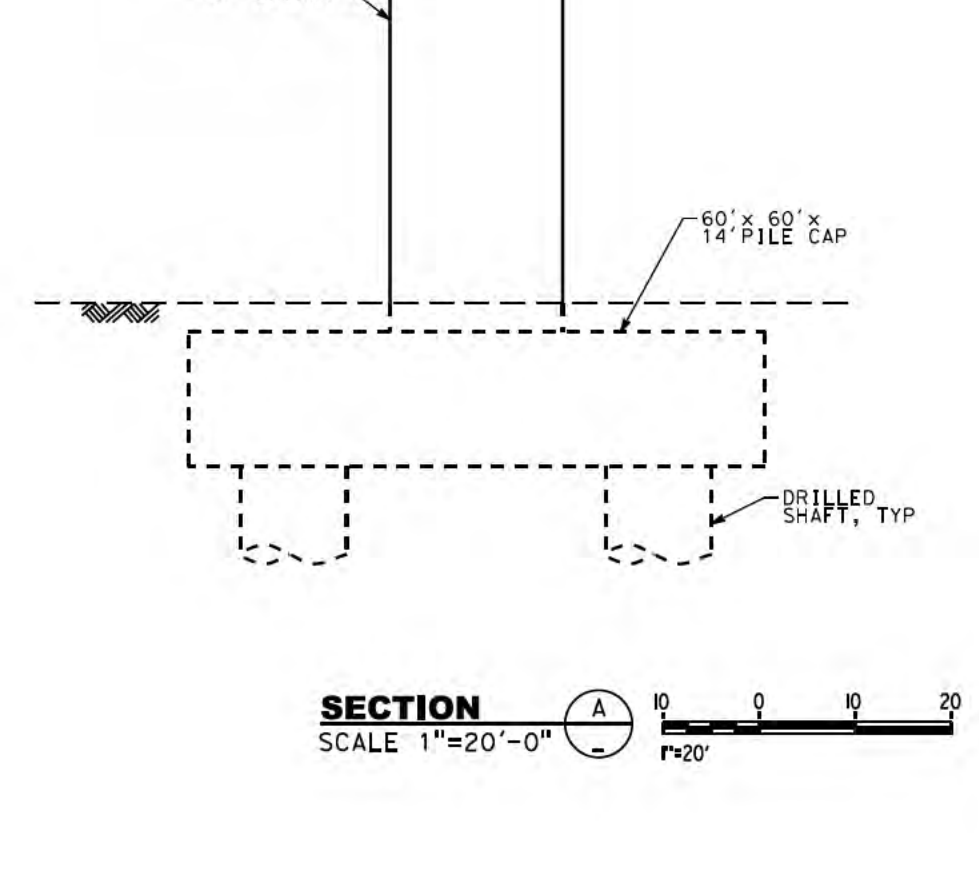
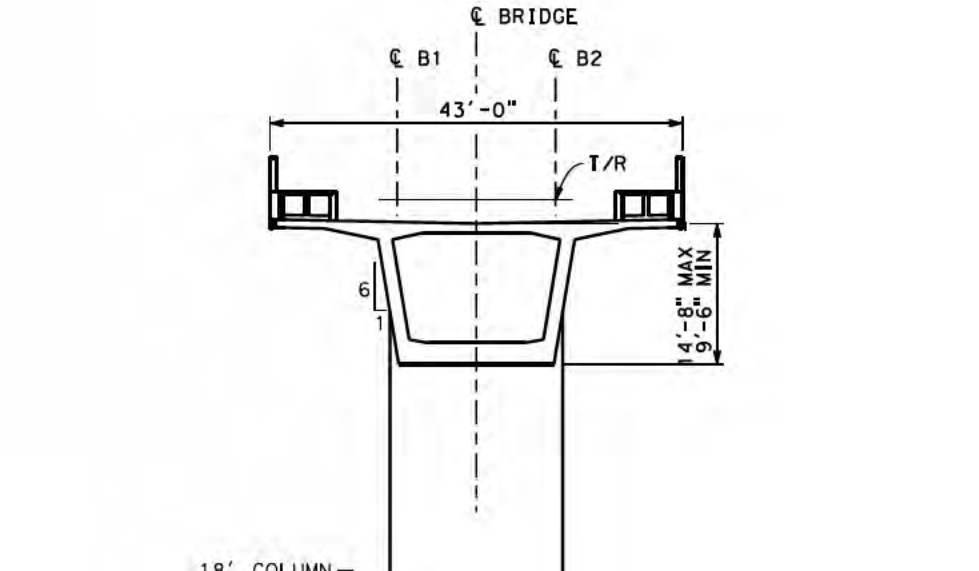
2021 RECORD SET PBD NOVEMBER 30, 2021 NOT FOR CONSTRUCTION	HNTB 1111 Broadway 9th Floor Oakland, CA 94607	CALIFORNIA High-Speed Rail Authority	CALIFORNIA HIGH-SPEED TRAIN PROJECT SAN JOSE TO MERCED MONTEREY CORRIDOR VIADUCT COMPLEX STRUCTURES GENERAL PLAN 2 OF 2	CONTRACT NO. HSR15-34 DRAWING NO. ST-V0602 SCALE AS SHOWN SHEET NO.
--	--	--	--	--



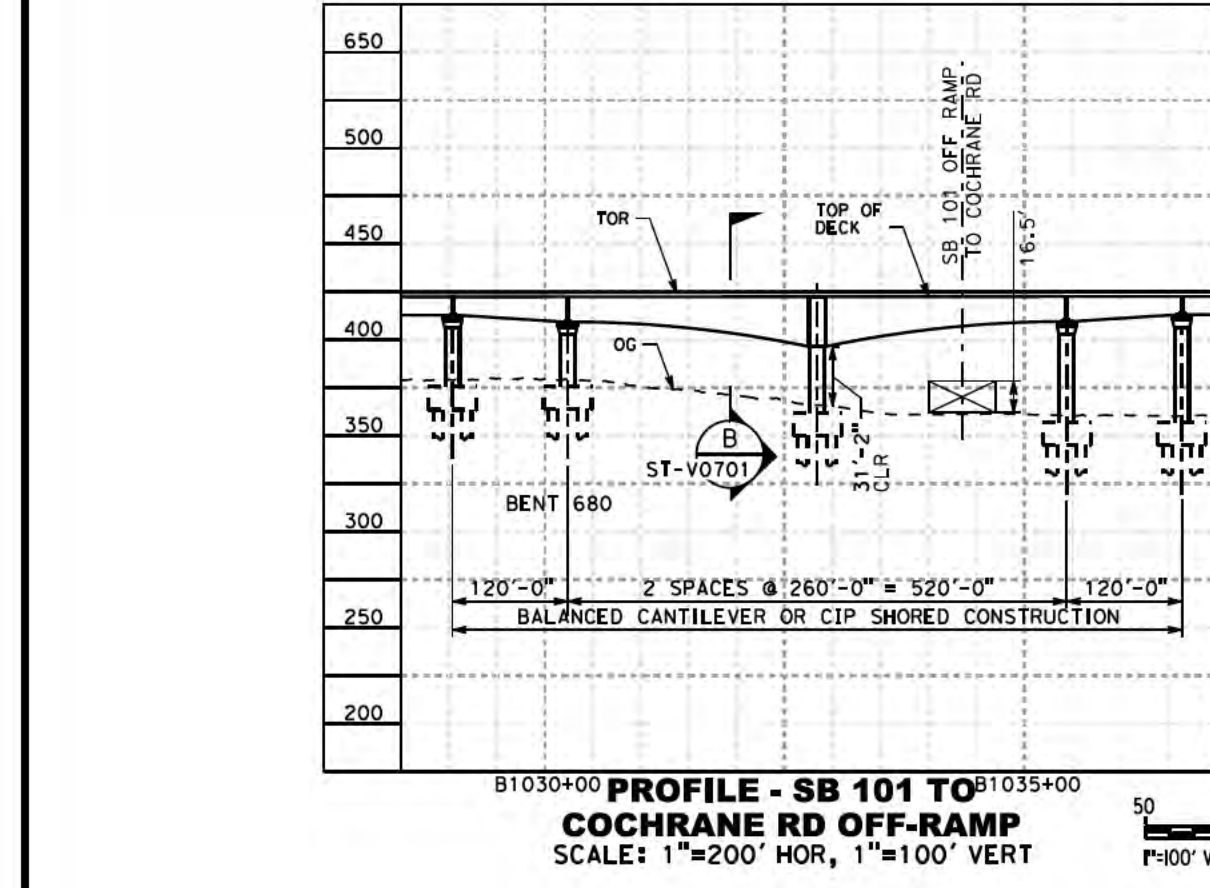
PLAN - SB 101 TO BAILEY AVENUE
SCALE: 1"=200' HOR, 1"=100' VERT



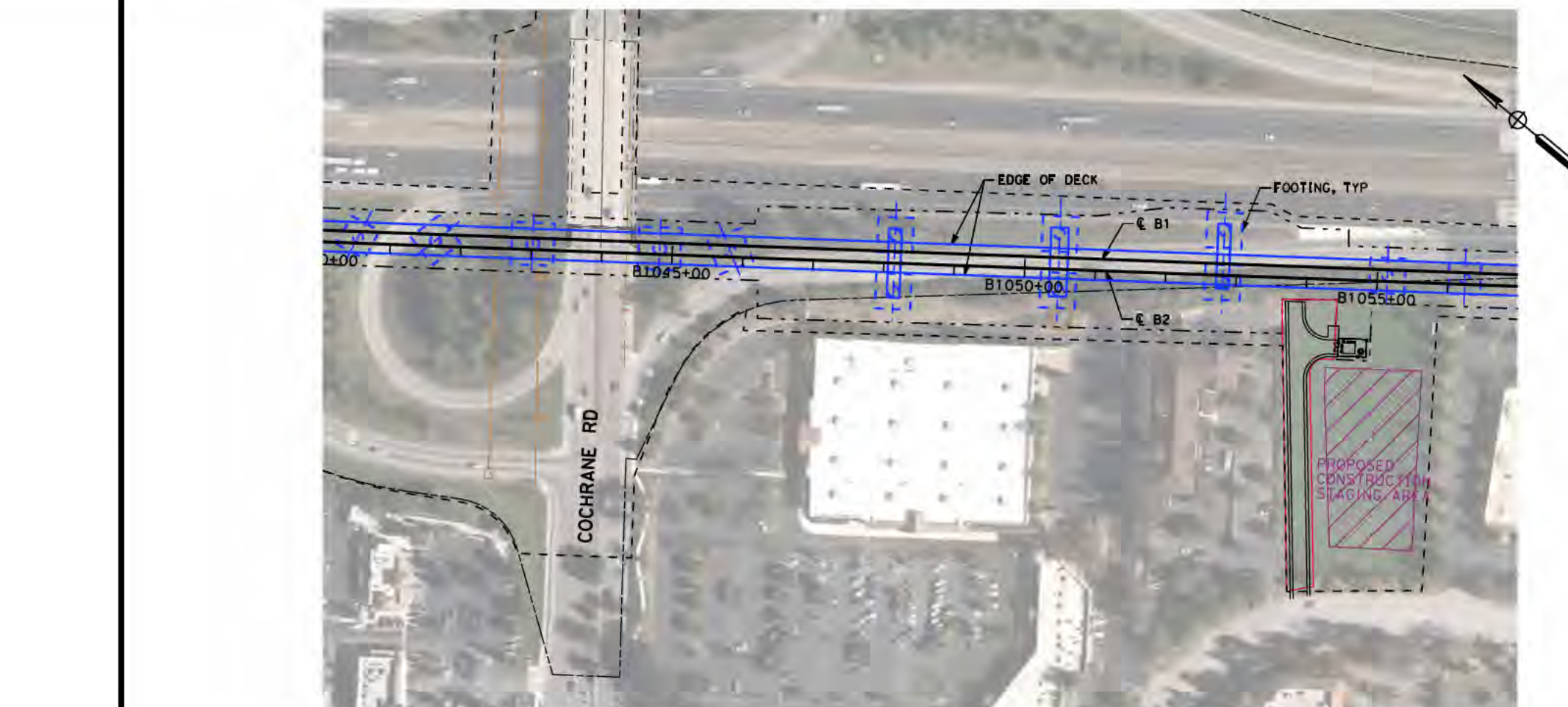
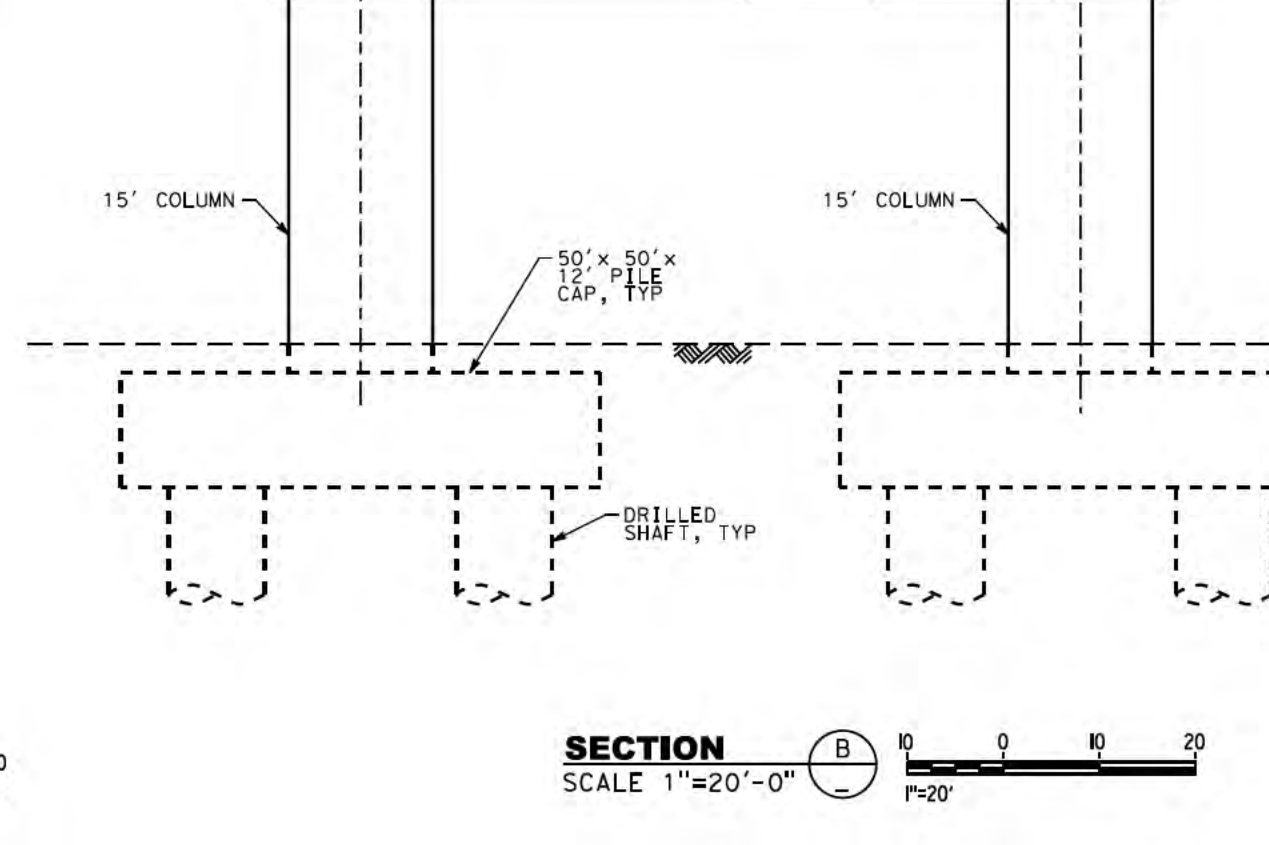
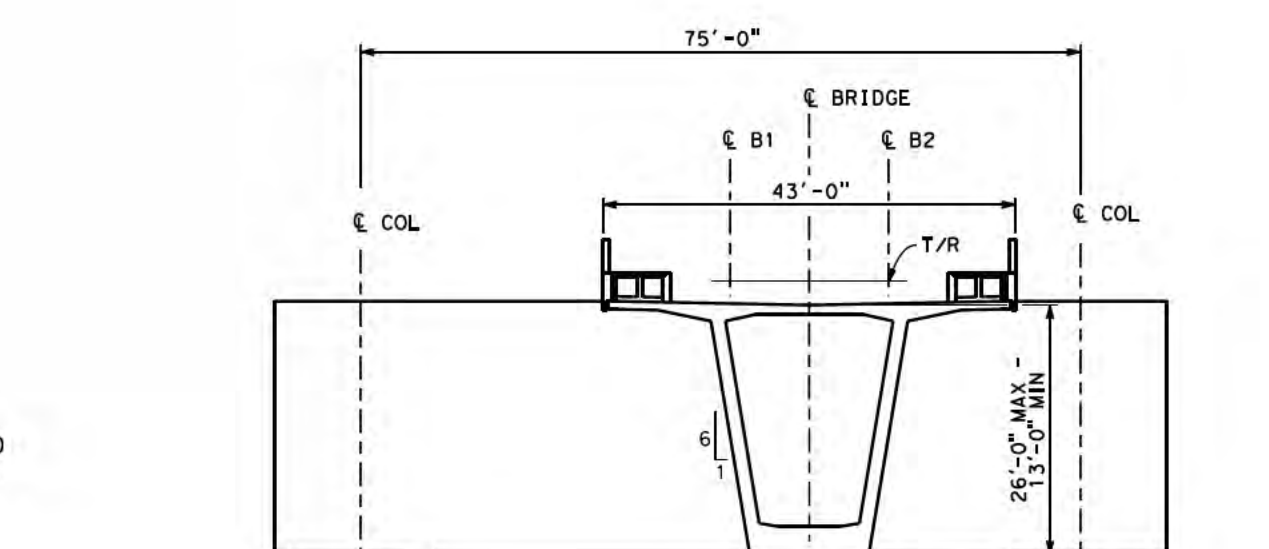
PROFILE - BAILEY AVENUE
SCALE: 1"=200' HOR, 1"=100' VERT



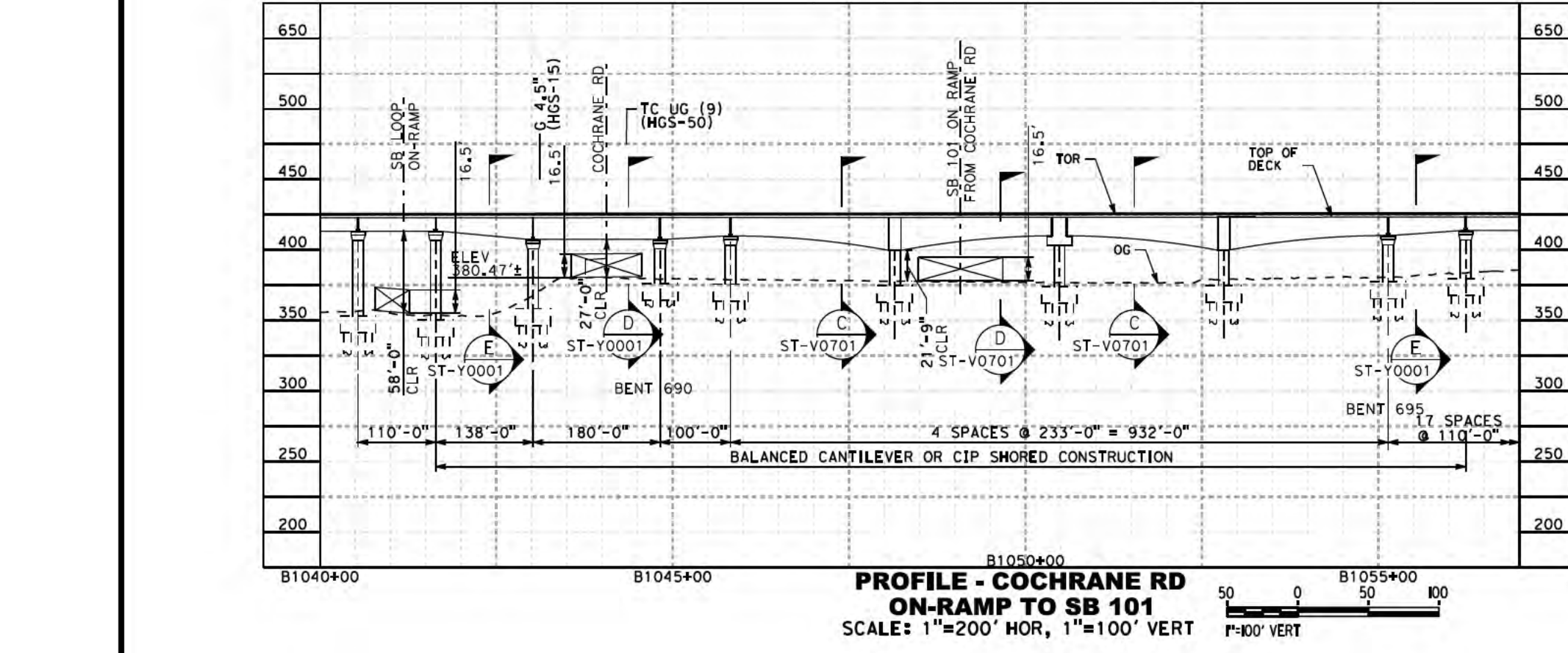
PLAN - SB 101 TO COCHRANE RD OFF-RAMP
SCALE: 1"=200' HOR, 1"=100' VERT



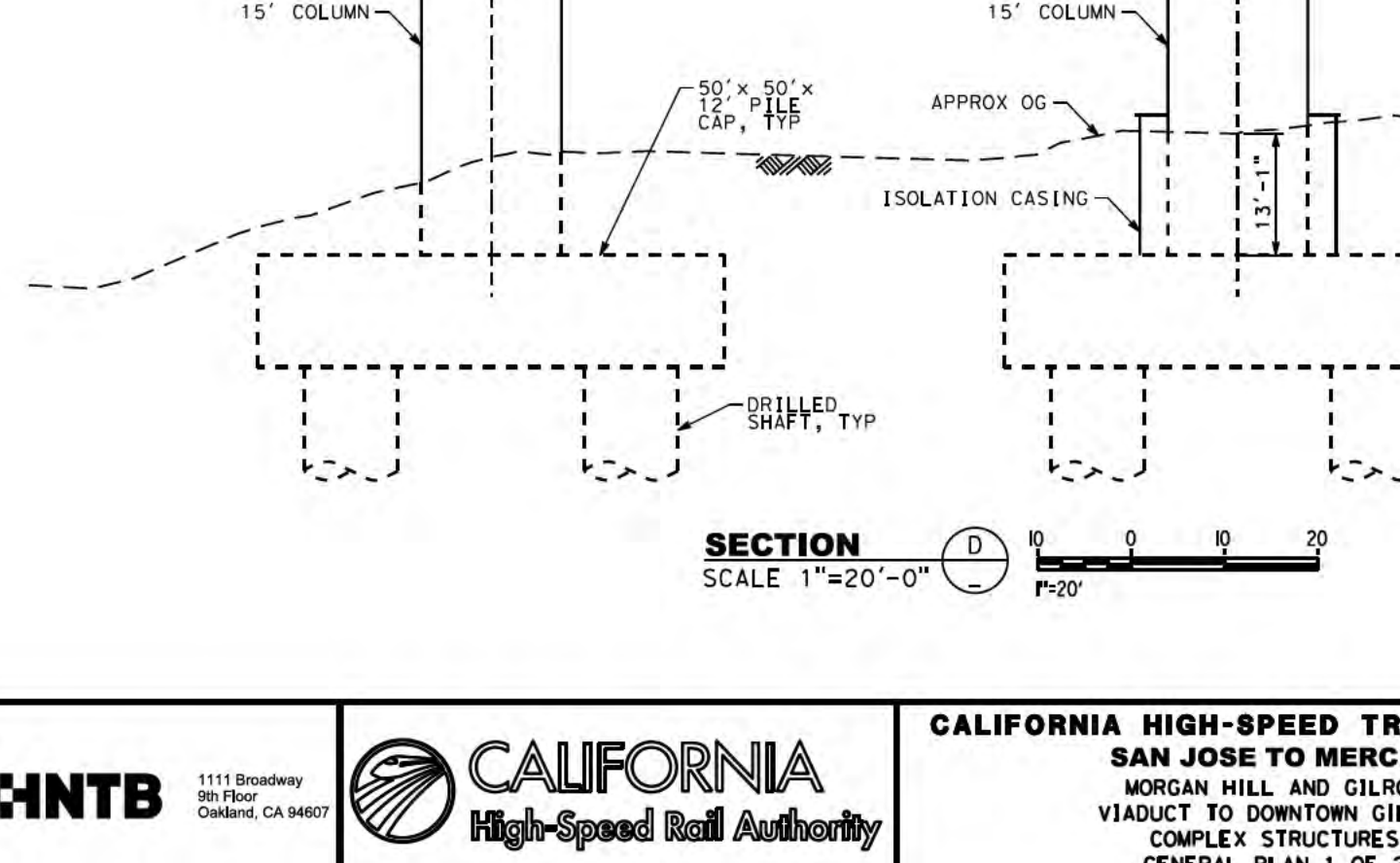
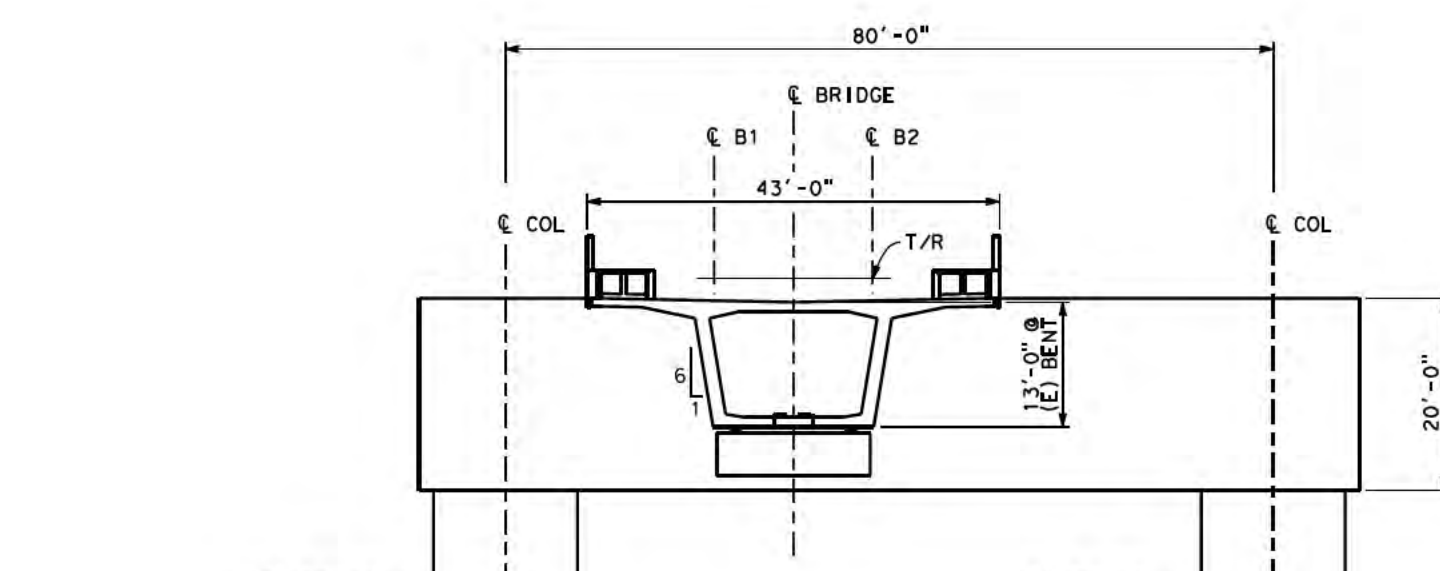
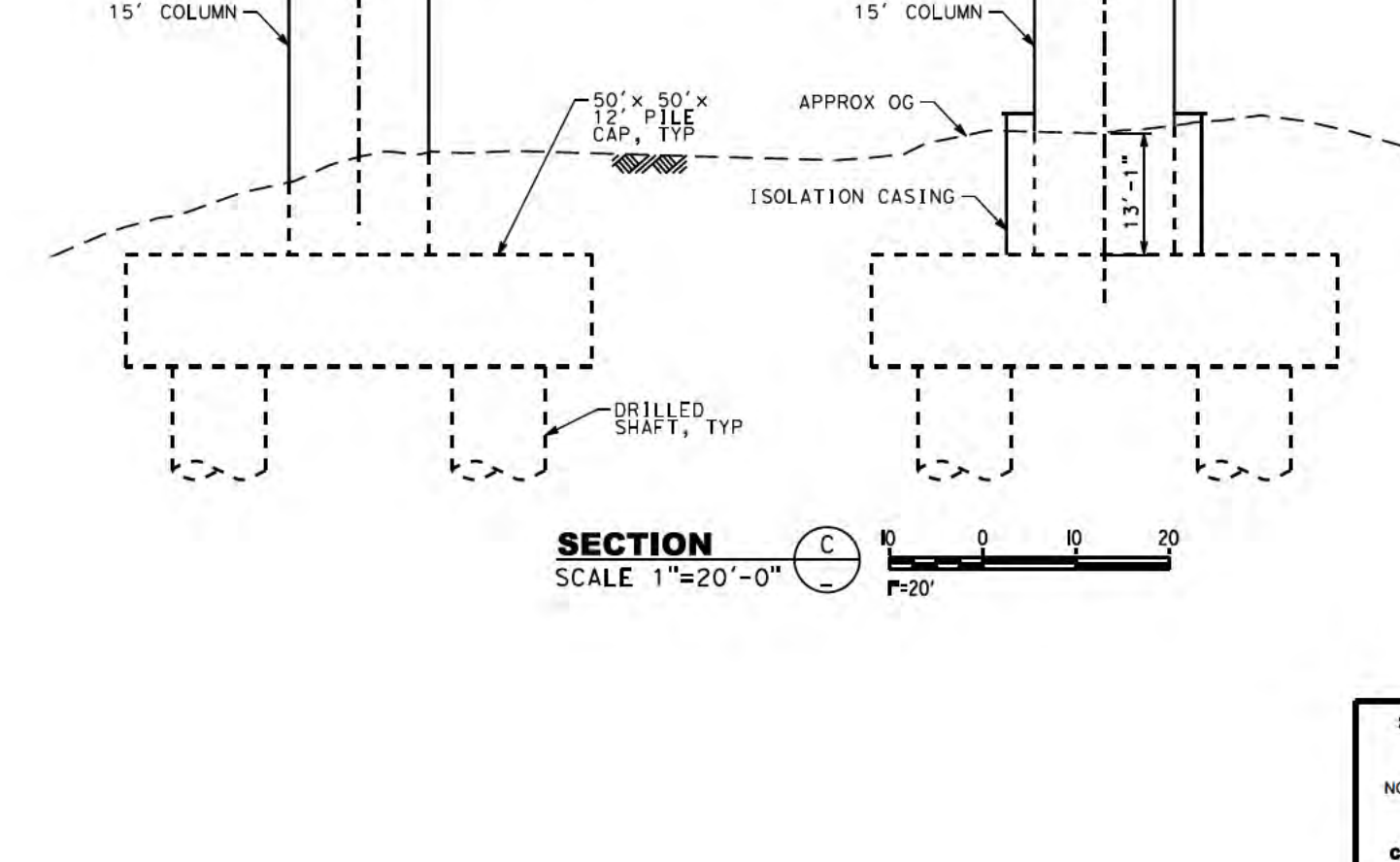
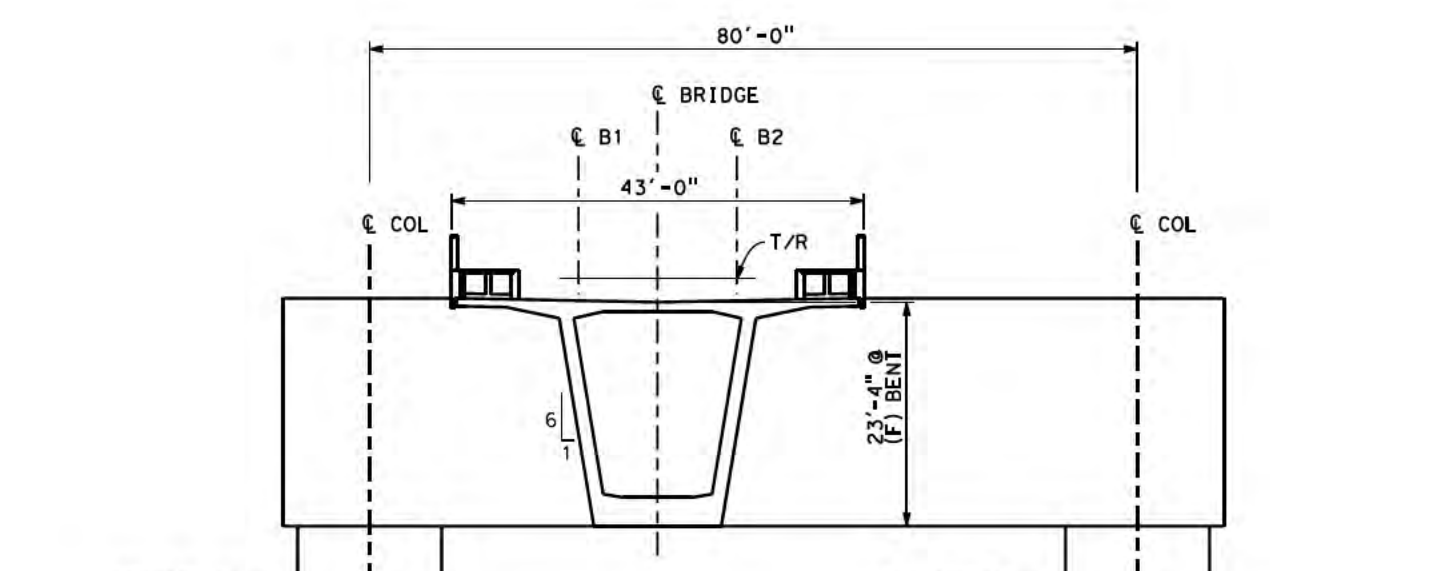
PROFILE - SB 101 TO COCHRANE RD OFF-RAMP
SCALE: 1"=200' HOR, 1"=100' VERT



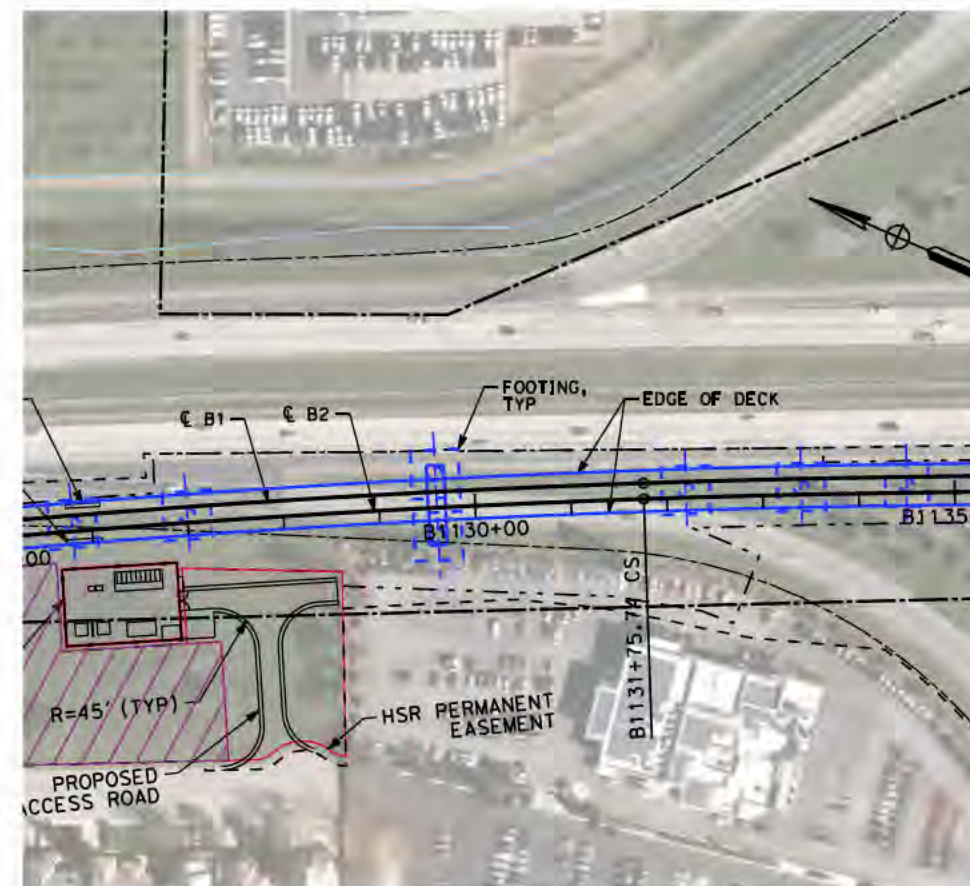
PLAN - COCHRANE RD ON-RAMP TO SB 101
SCALE: 1"=200' HOR, 1"=100' VERT



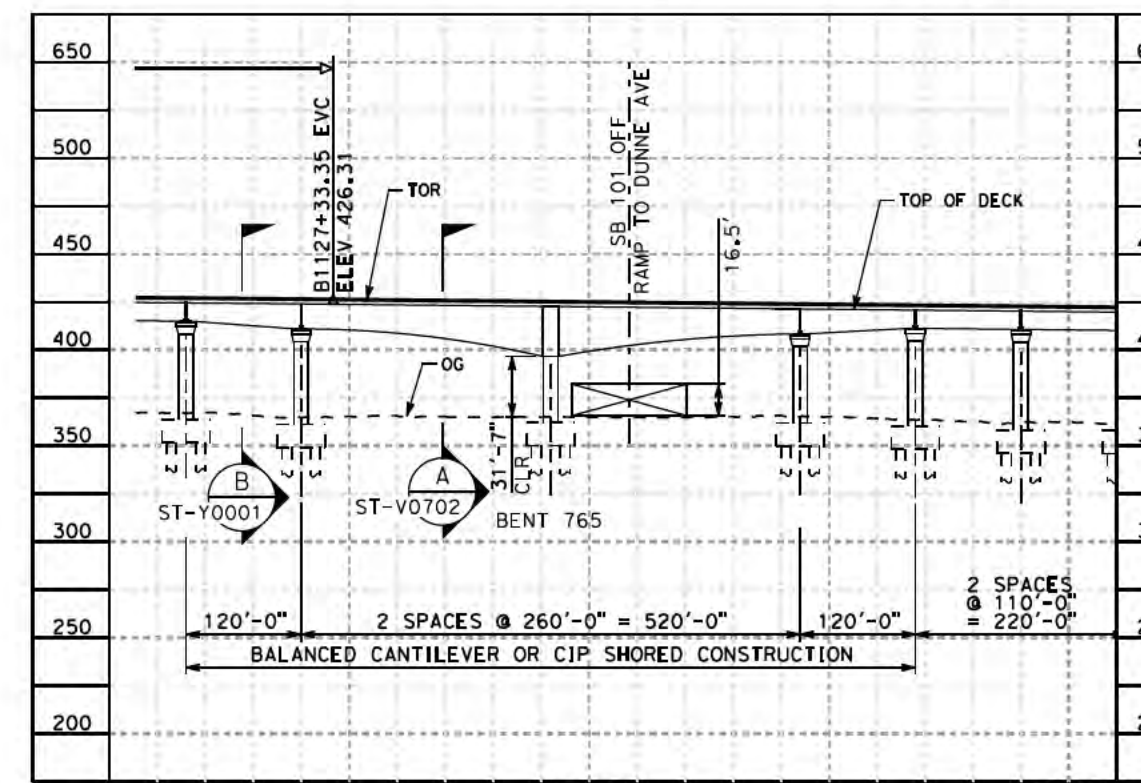
PROFILE - COCHRANE RD ON-RAMP TO SB 101
SCALE: 1"=200' HOR, 1"=100' VERT



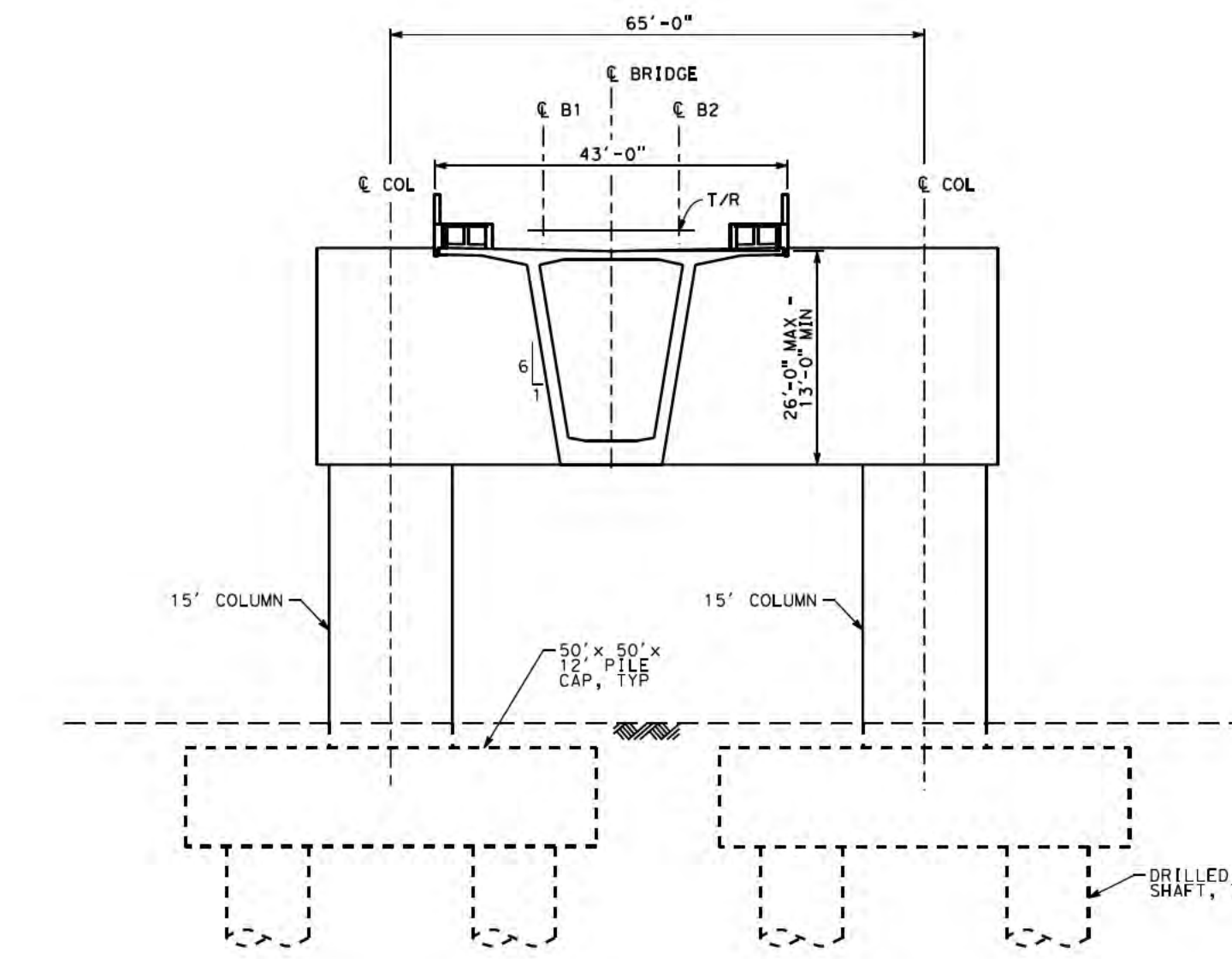
2021 RECORD SET PFD NOVEMBER 30, 2021 NOT FOR CONSTRUCTION	1111 Broadway 9th Floor Oakland, CA 94607	CALIFORNIA High-Speed Rail Authority	CALIFORNIA HIGH-SPEED TRAIN PROJECT SAN JOSE TO MERCED MORGAN HILL AND GILROY VIADUCT TO DOWNTOWN GILROY COMPLEX STRUCTURES GENERAL PLAN 1 OF 2	CONTRACT NO. HSR15-34 DRAWING NO. ST-V0701 SCALE AS SHOWN SHEET NO.
--	---	--------------------------------------	--	--



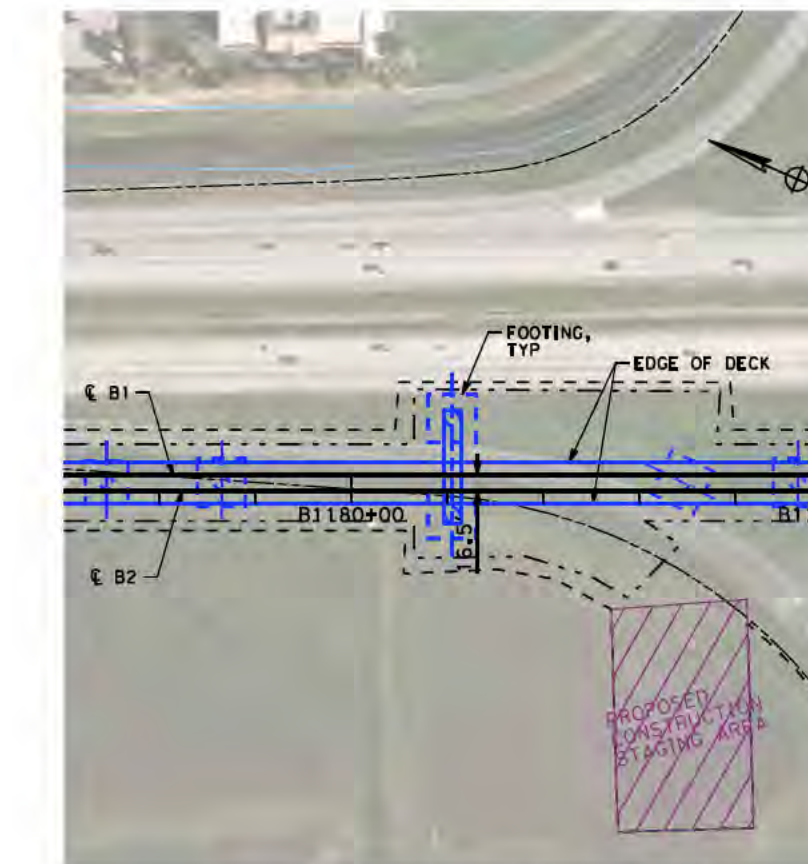
PLAN - SB 101 OFF-RAMP TO EAST DUNNE AVENUE
SCALE: 1"=200' HOR



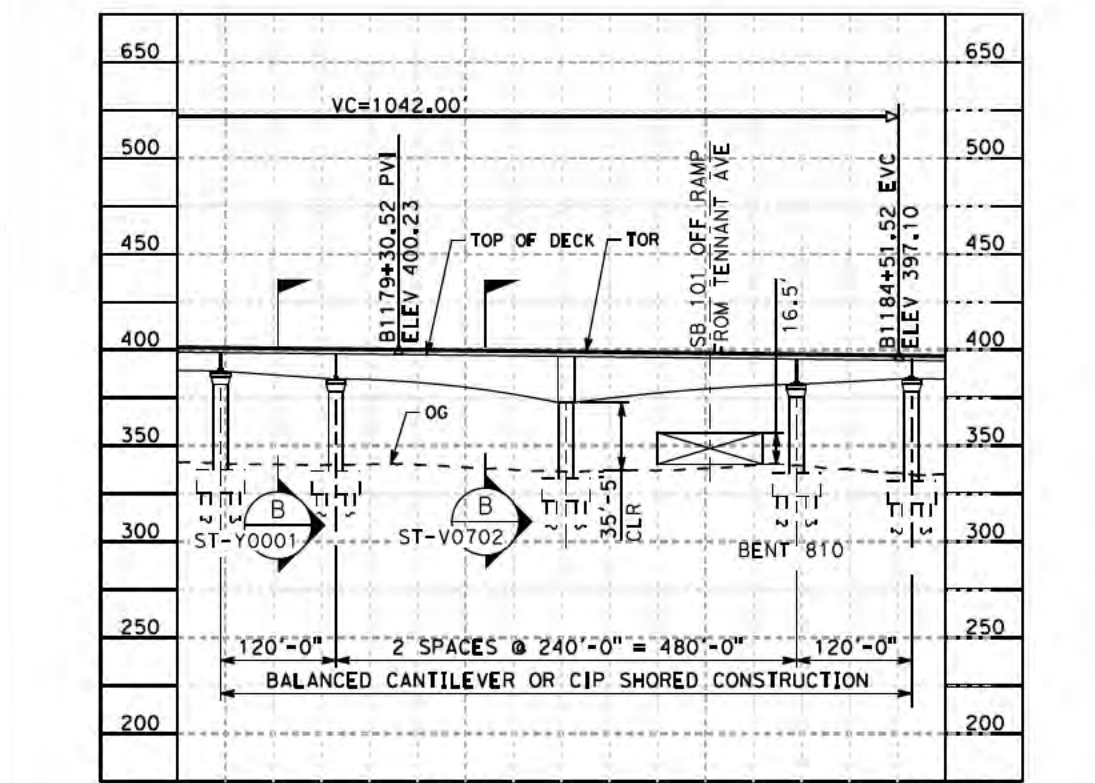
PROFILE - SB 101 OFF-RAMP TO EAST DUNNE AVENUE
SCALE: 1"=200' HOR, 1"=100' VERT



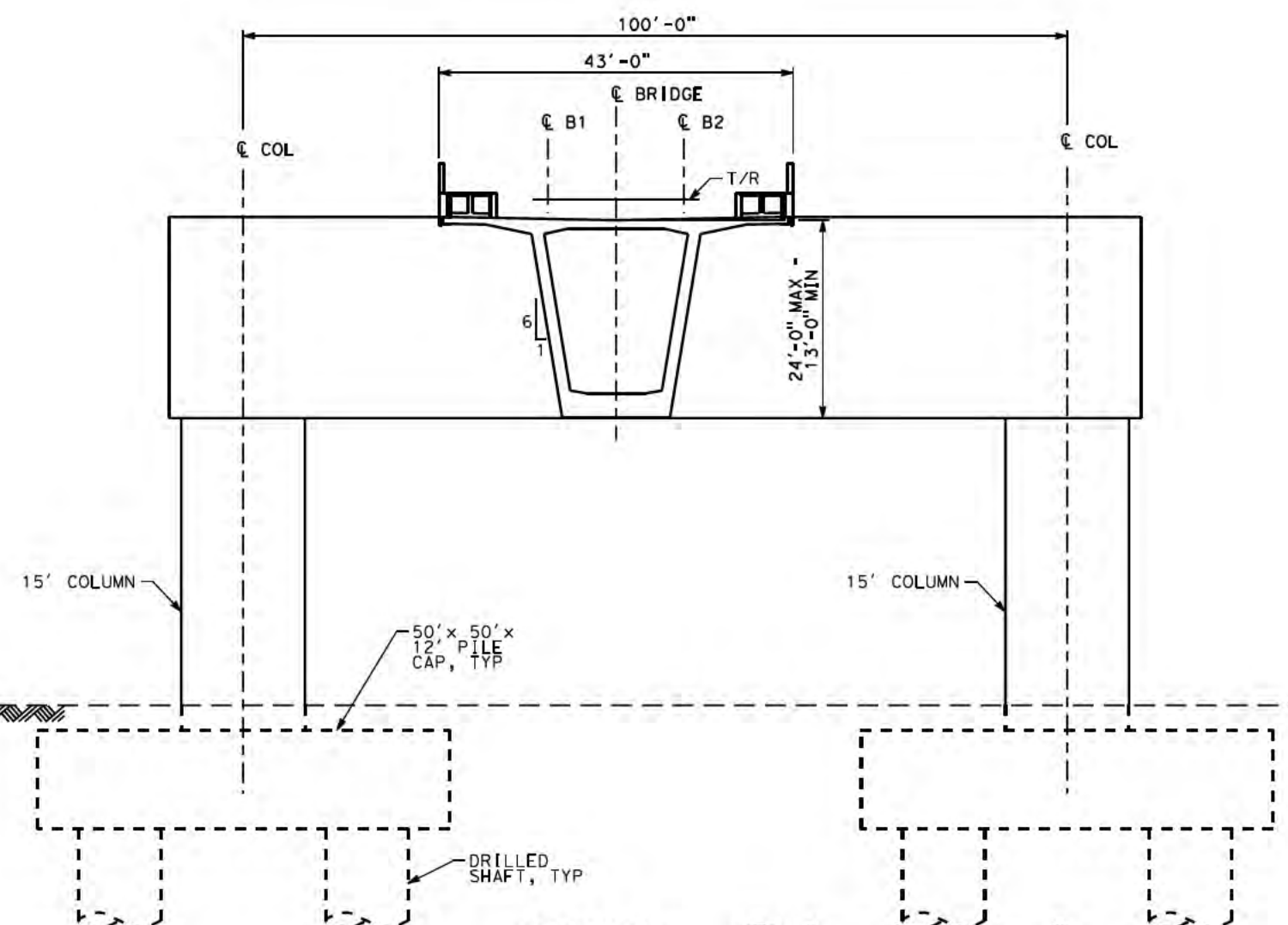
SECTION
SCALE 1"=20'-0"



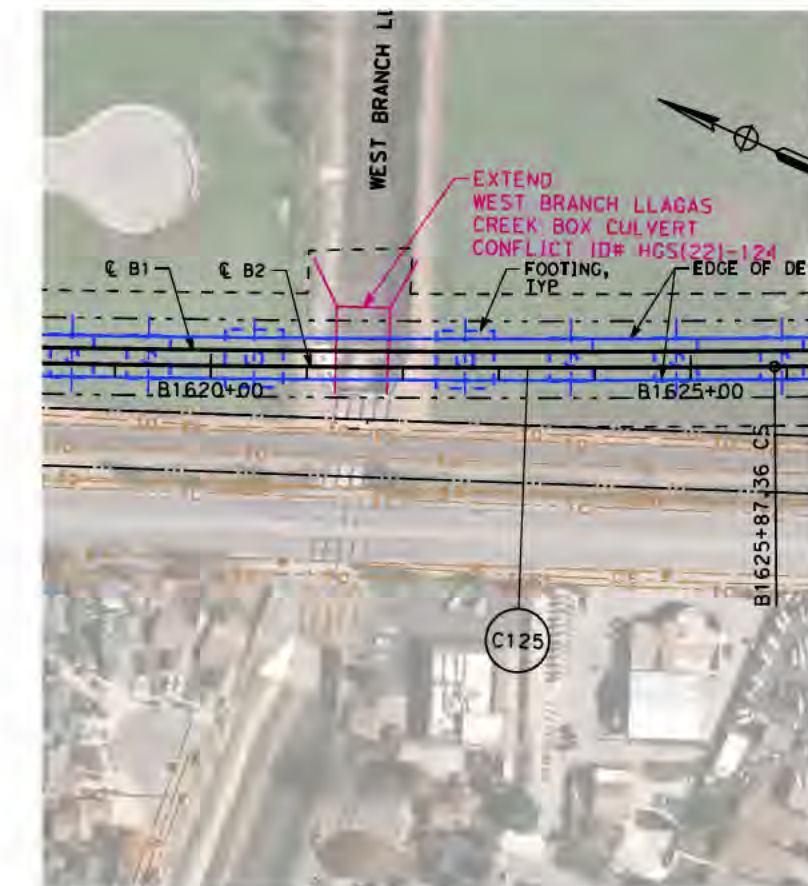
PLAN - SB 101 OFF-RAMP TO TENNANT AVENUE
SCALE: 1"=200' HOR



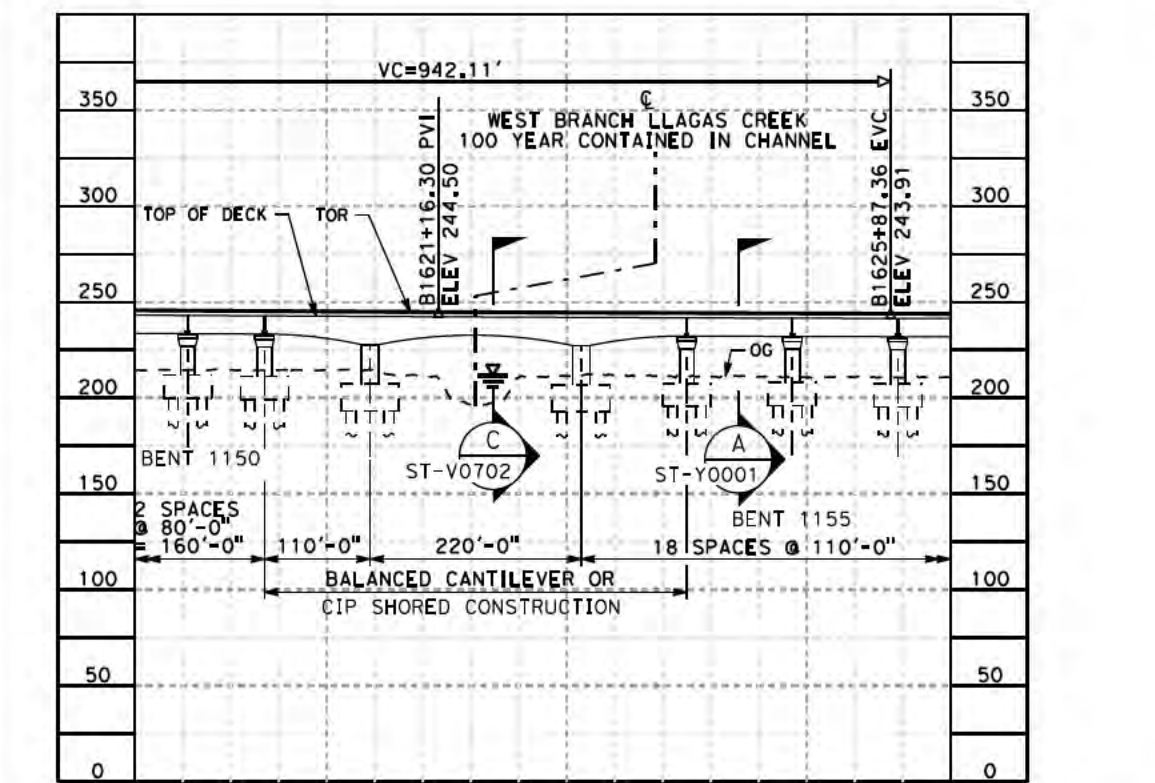
PROFILE - SB 101 OFF-RAMP TO TENNANT AVENUE
SCALE: 1"=200' HOR, 1"=100' VERT



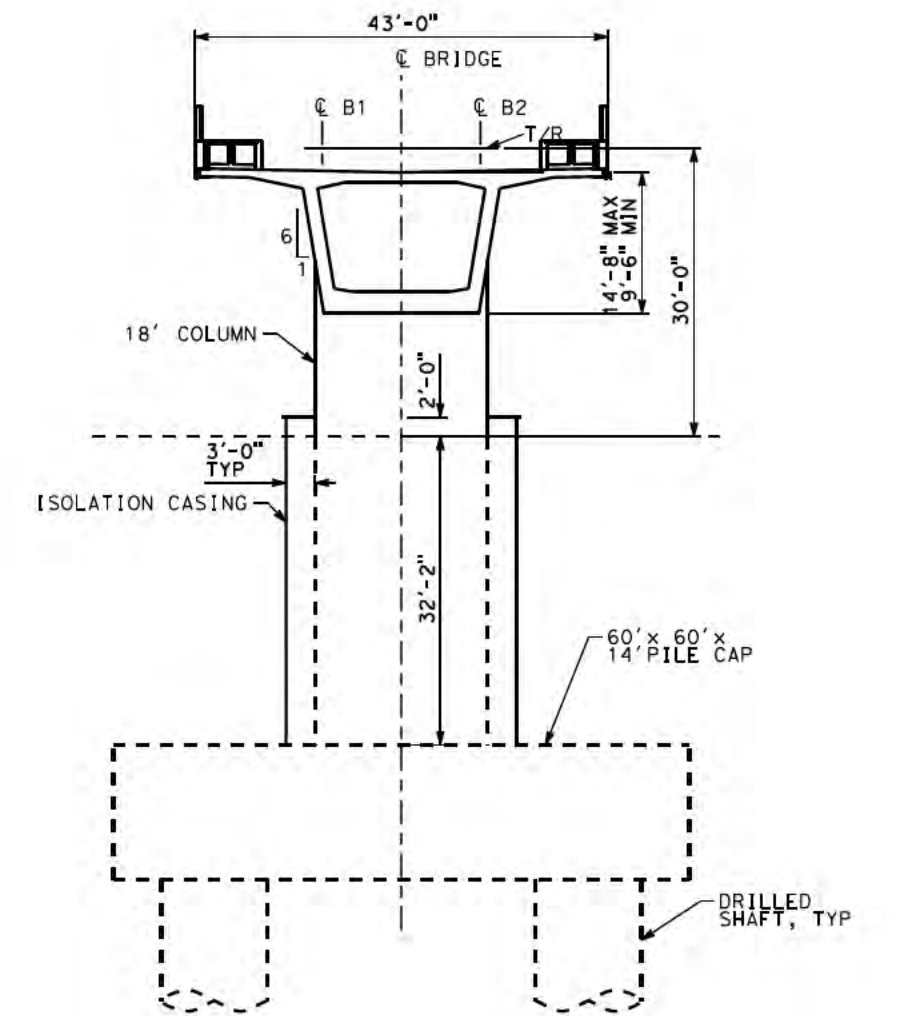
SECTION
SCALE 1"=20'-0"



PLAN - LLAGAS CREEK
SCALE: 1"=200' HOR



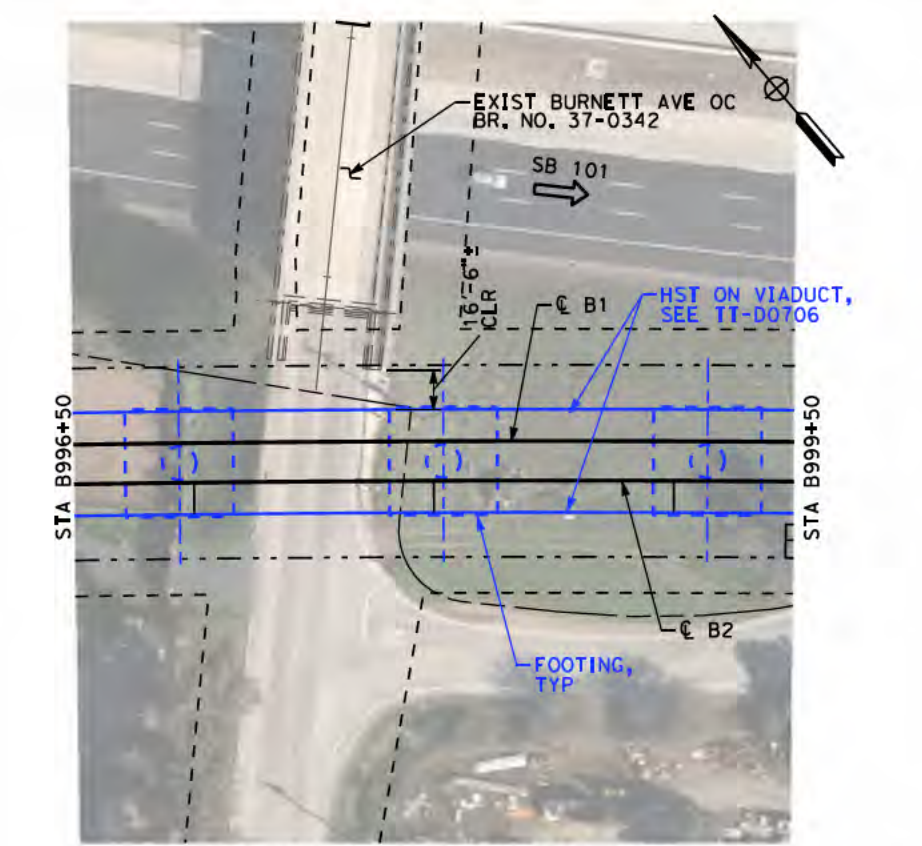
PROFILE - LLAGAS CREEK
SCALE: 1"=200' HOR, 1"=100' VERT



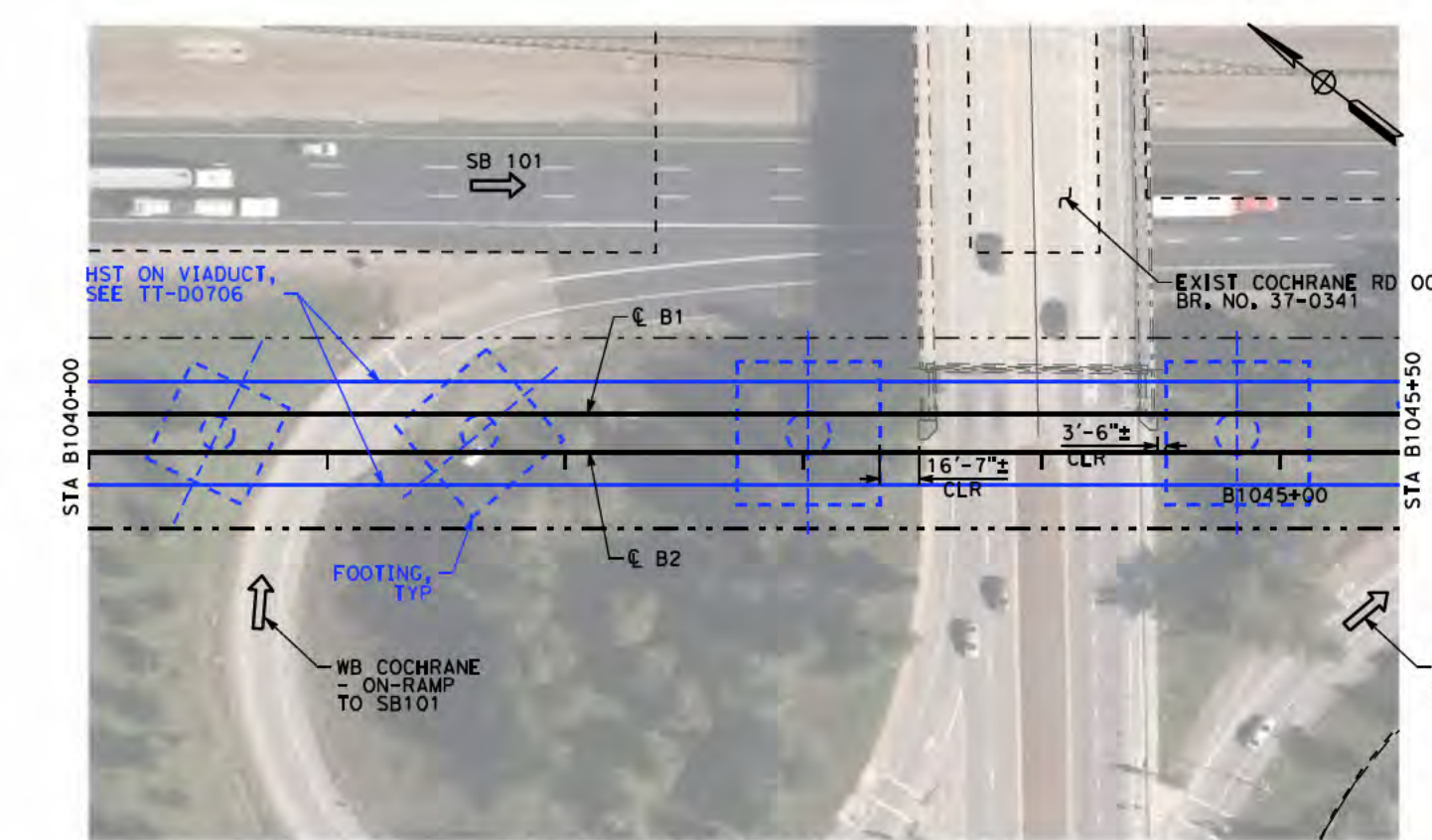
SECTION
SCALE 1"=20'-0"

SAN JOSE TO CVY EIR/S: VOLUME III
ALTERNATIVE 3
BOOK 3C
SHEET 97 OF 237

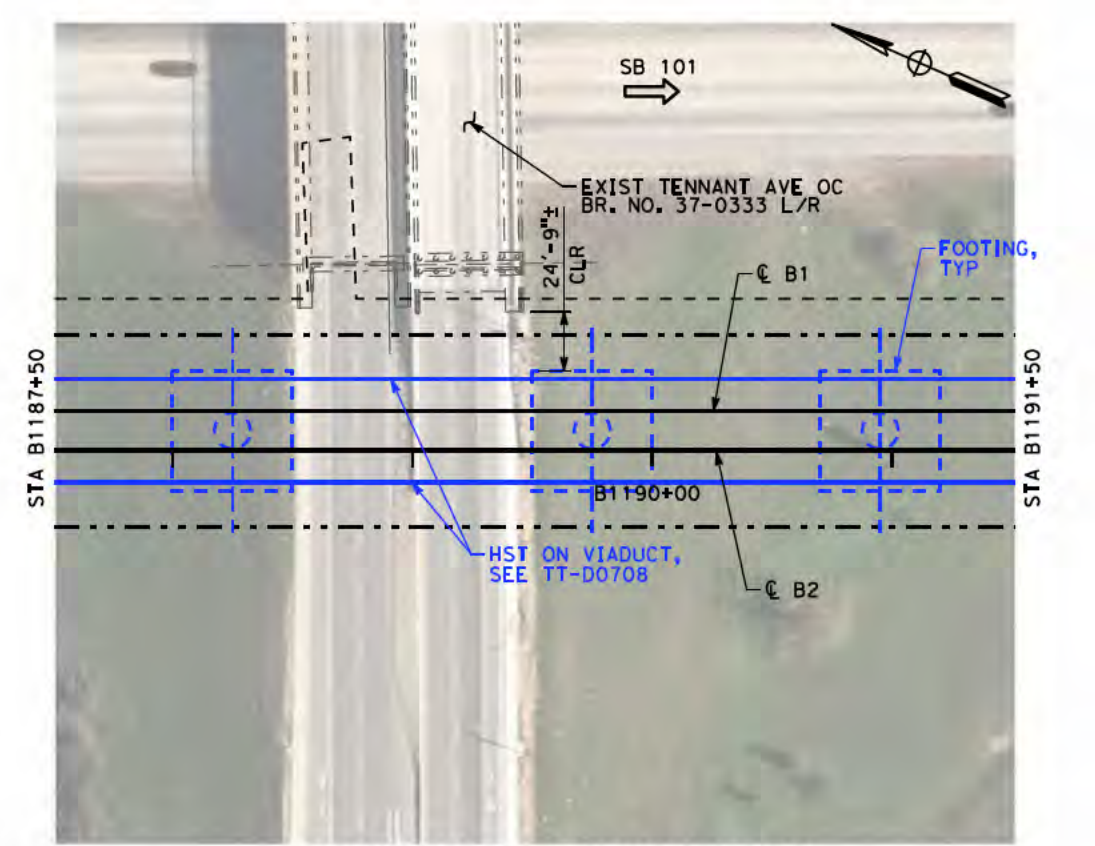
2021 RECORD SET PBD NOVEMBER 30, 2021 NOT FOR CONSTRUCTION	HNTB 1111 Broadway 9th Floor Oakland, CA 94607	CALIFORNIA High-Speed Rail Authority	CALIFORNIA HIGH-SPEED TRAIN PROJECT SAN JOSE TO MERCED MORGAN HILL AND GILROY VIADUCT TO DOWNTOWN GILROY COMPLEX STRUCTURES GENERAL PLAN 2 OF 2	CONTRACT NO. HSR15-34 DRAWING NO. ST-V0702 SCALE AS SHOWN SHEET NO.
--	--	--	---	--



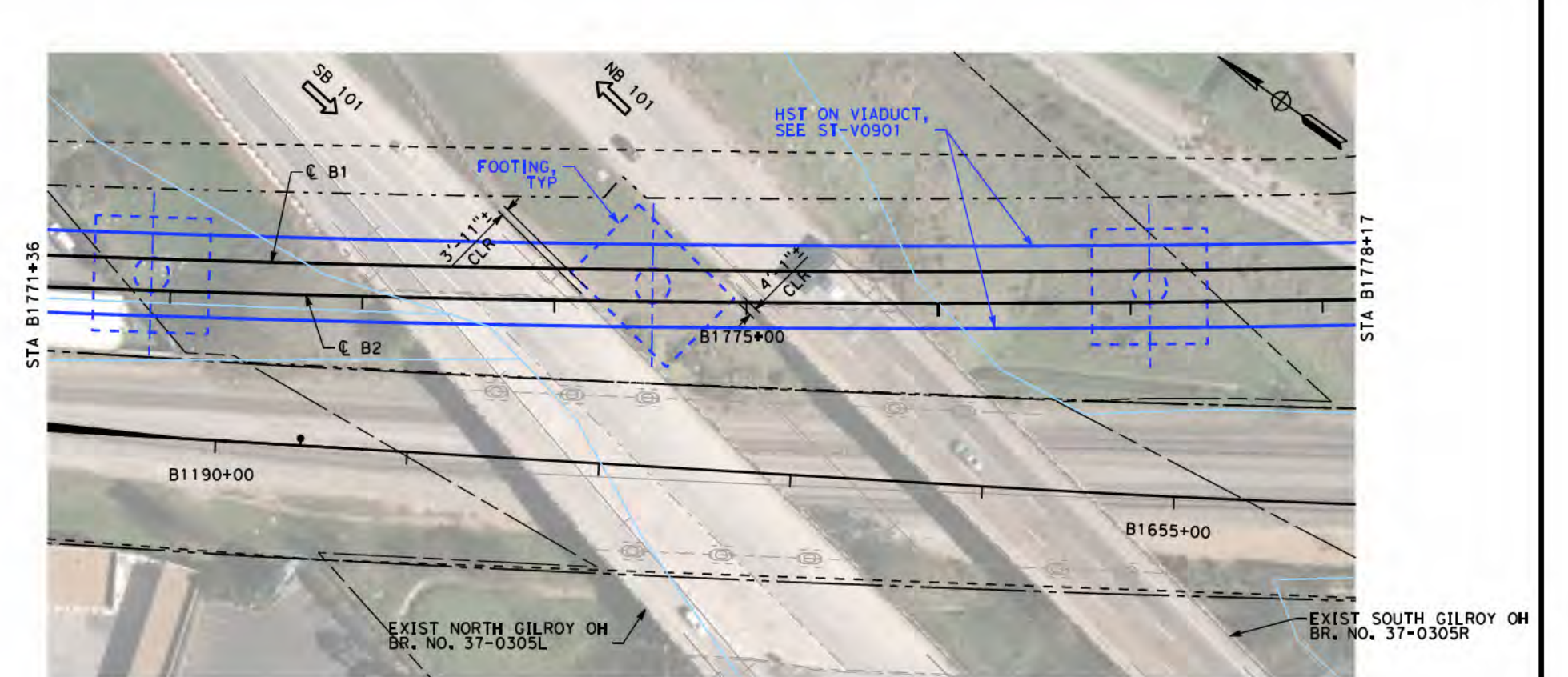
PLAN - BURNETT AVENUE OC
SCALE: 1"=80'



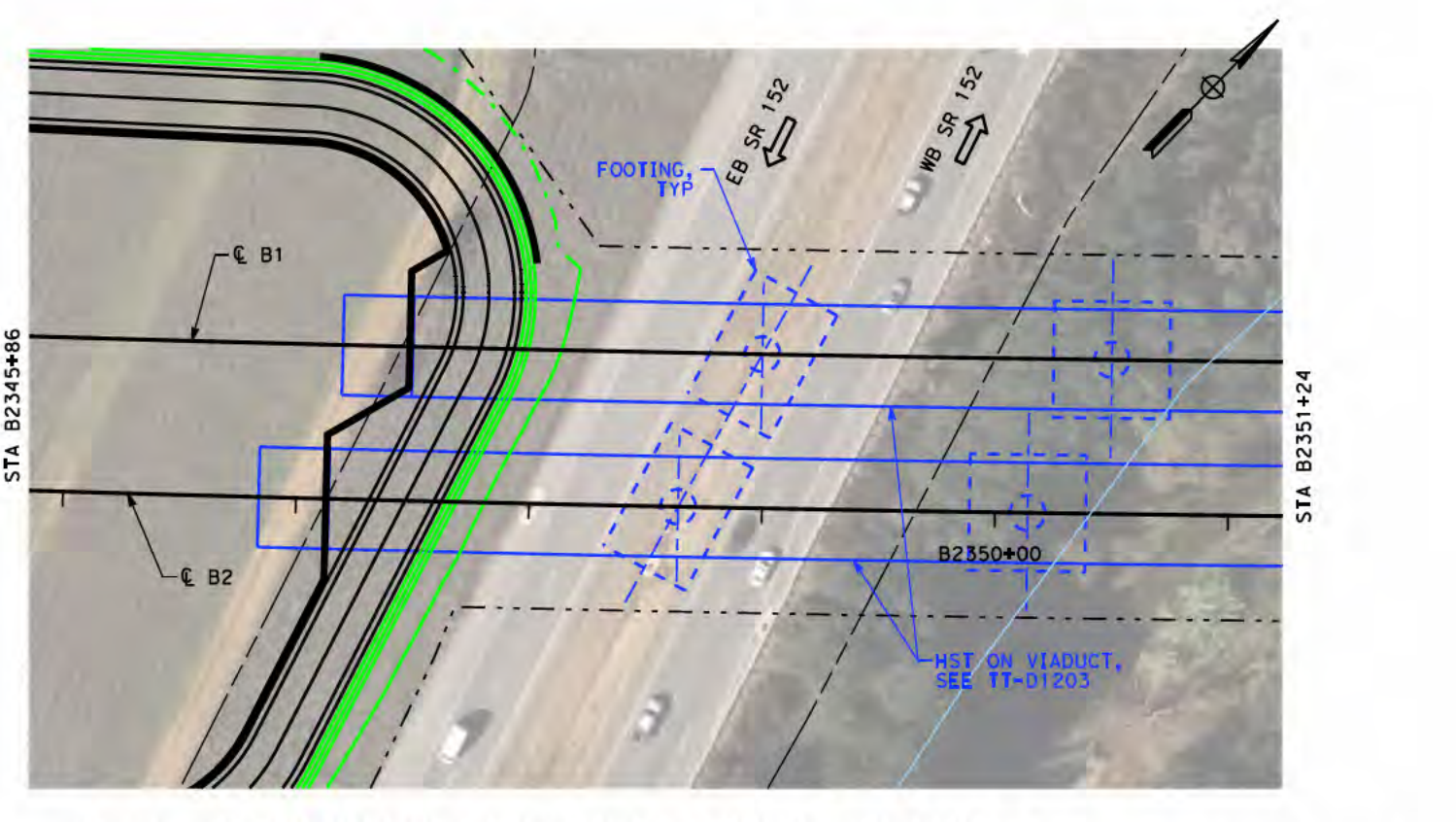
PLAN - COCHRANE ROAD OC
SCALE: 1"=80'



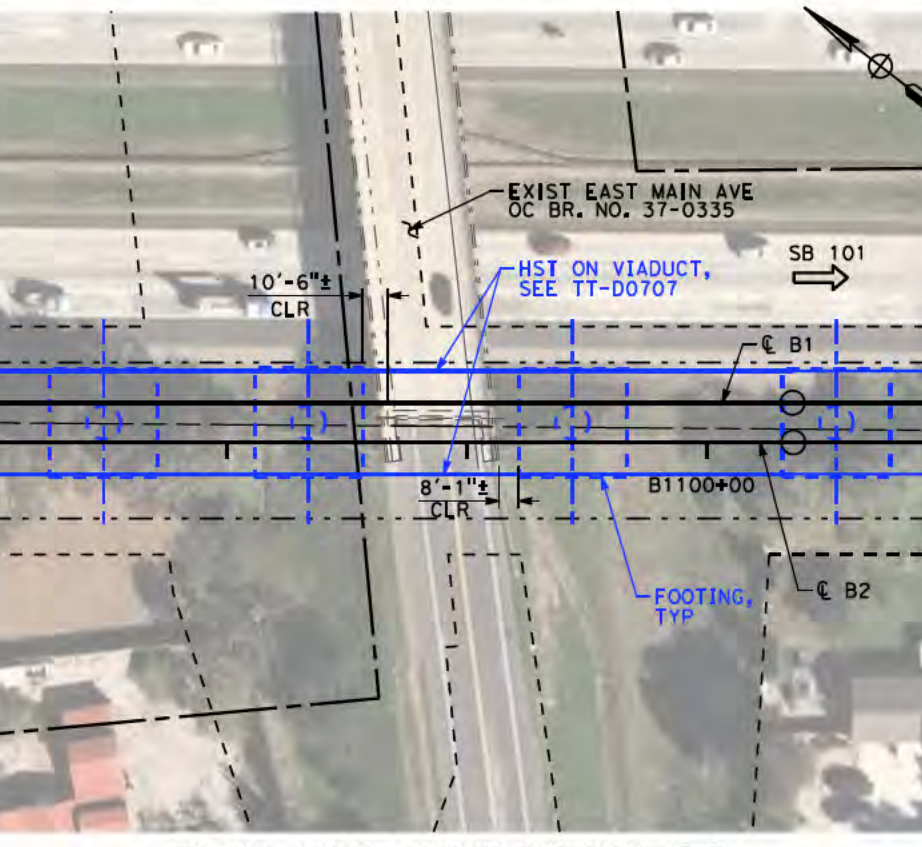
PLAN - TENNANT AVENUE OC
SCALE: 1"=80'



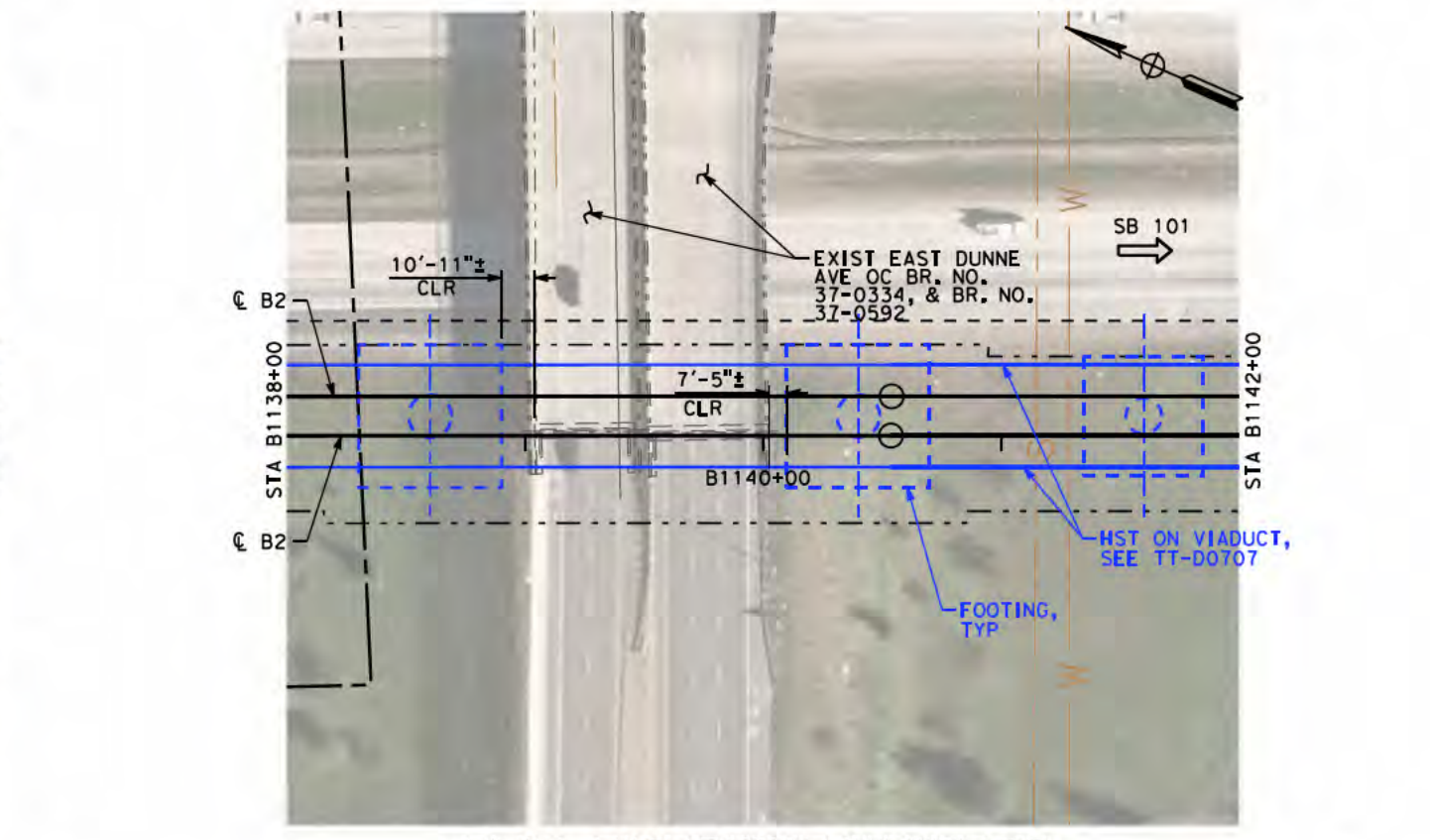
PLAN - US 101
SCALE: 1"=80'



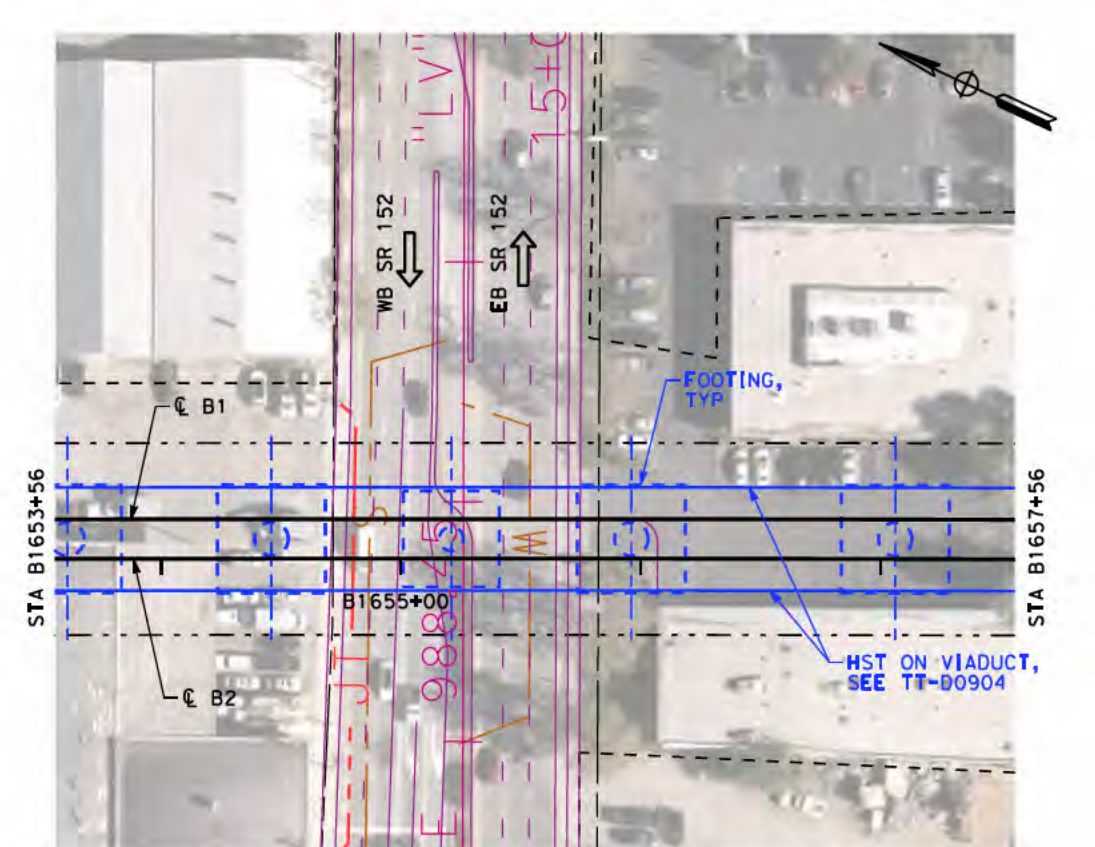
PLAN - PACHECO PASS ROAD (SR-152)/CASA DE FRUTA
SCALE: 1"=80'



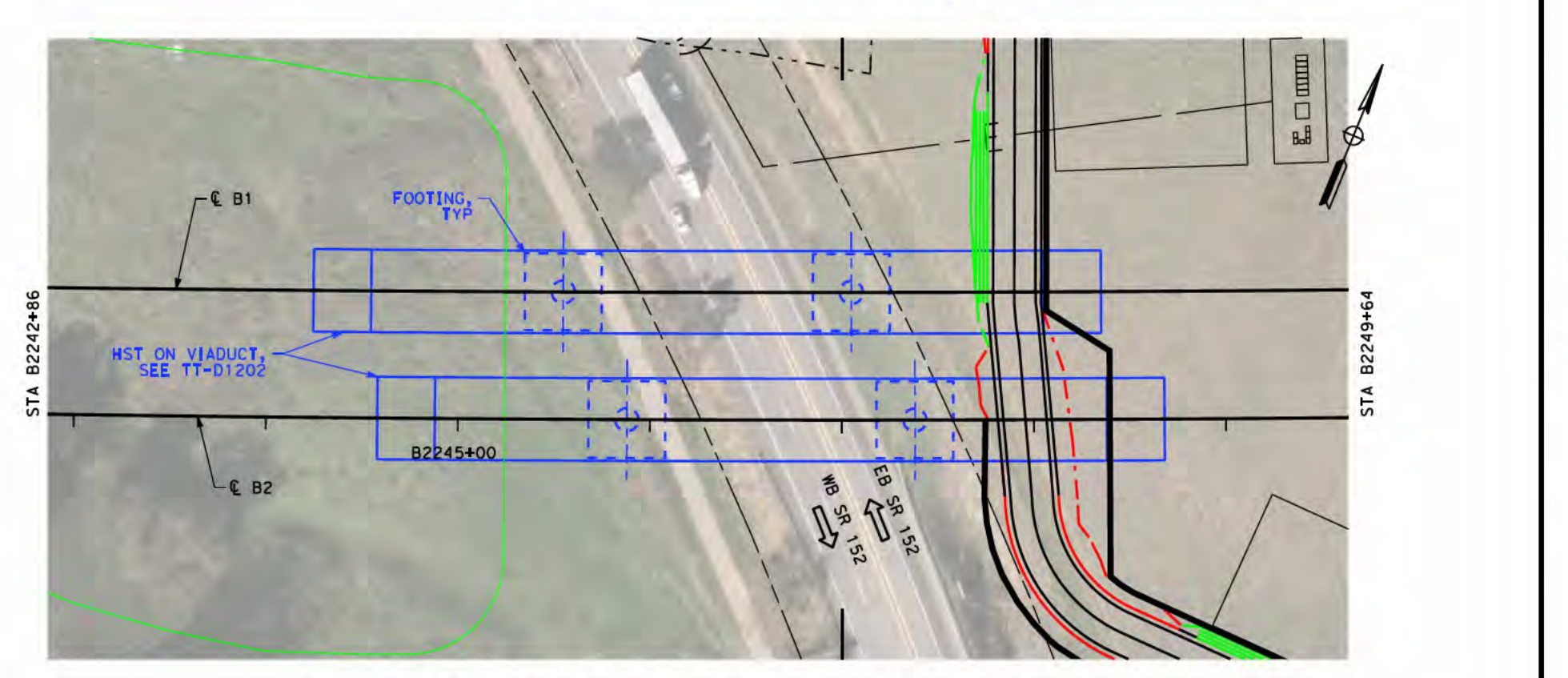
PLAN - EAST MAIN AVENUE OC
SCALE: 1"=80'



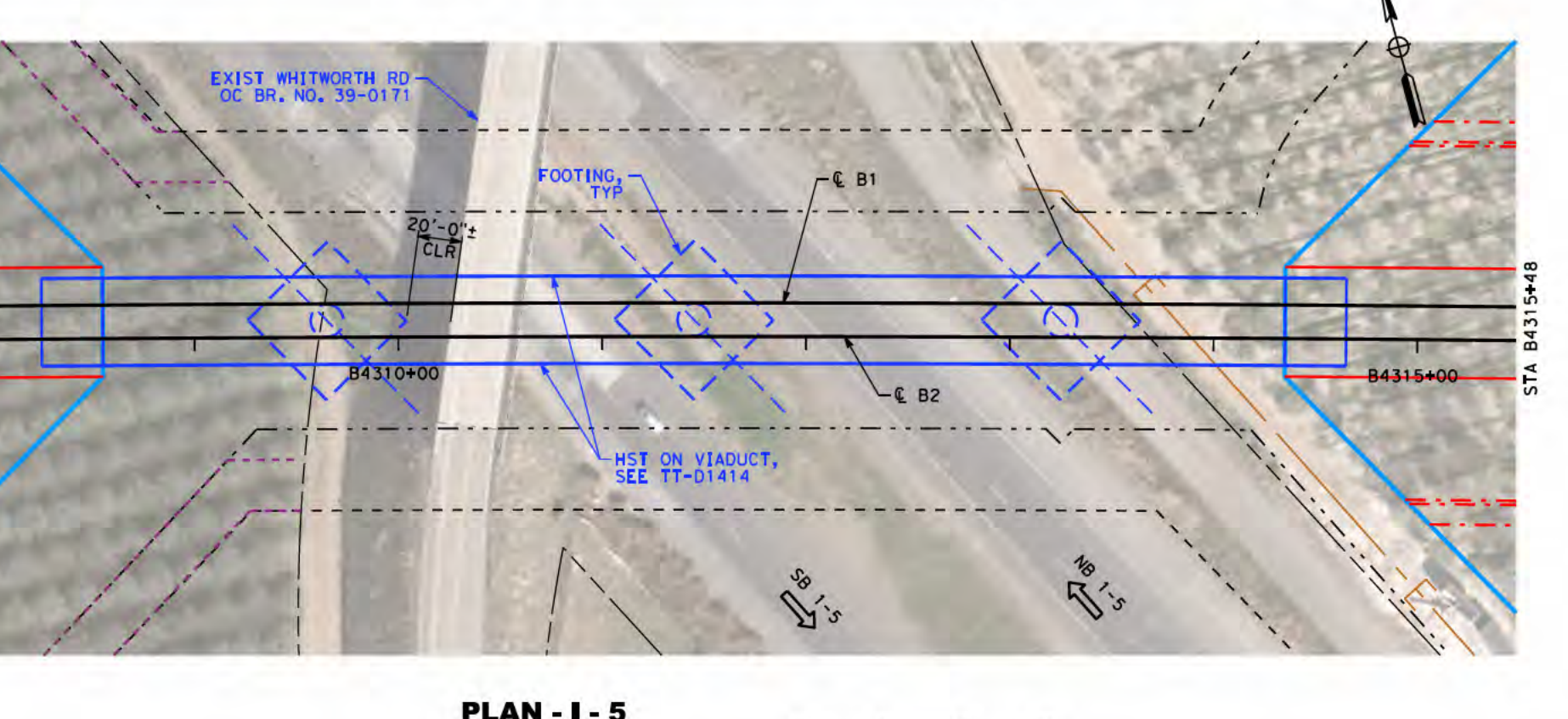
PLAN - EAST DUNNE AVENUE OC
SCALE: 1"=80'



PLAN - LEAVESLEY ROAD (SR 152)
SCALE: 1"=80'



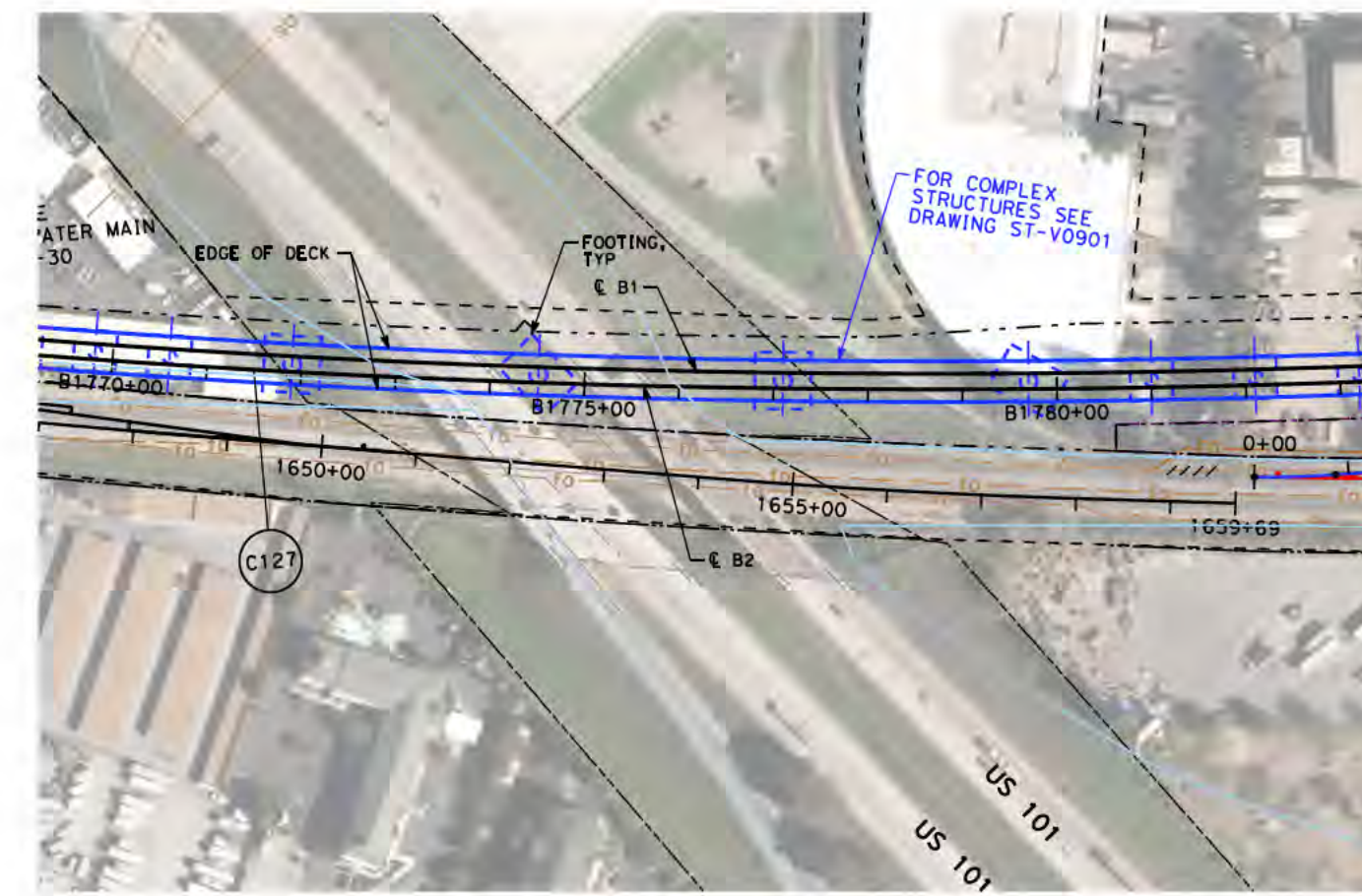
PLAN - PACHECO PASS ROAD (SR 152)/SAN FELIPE
SCALE: 1"=80'



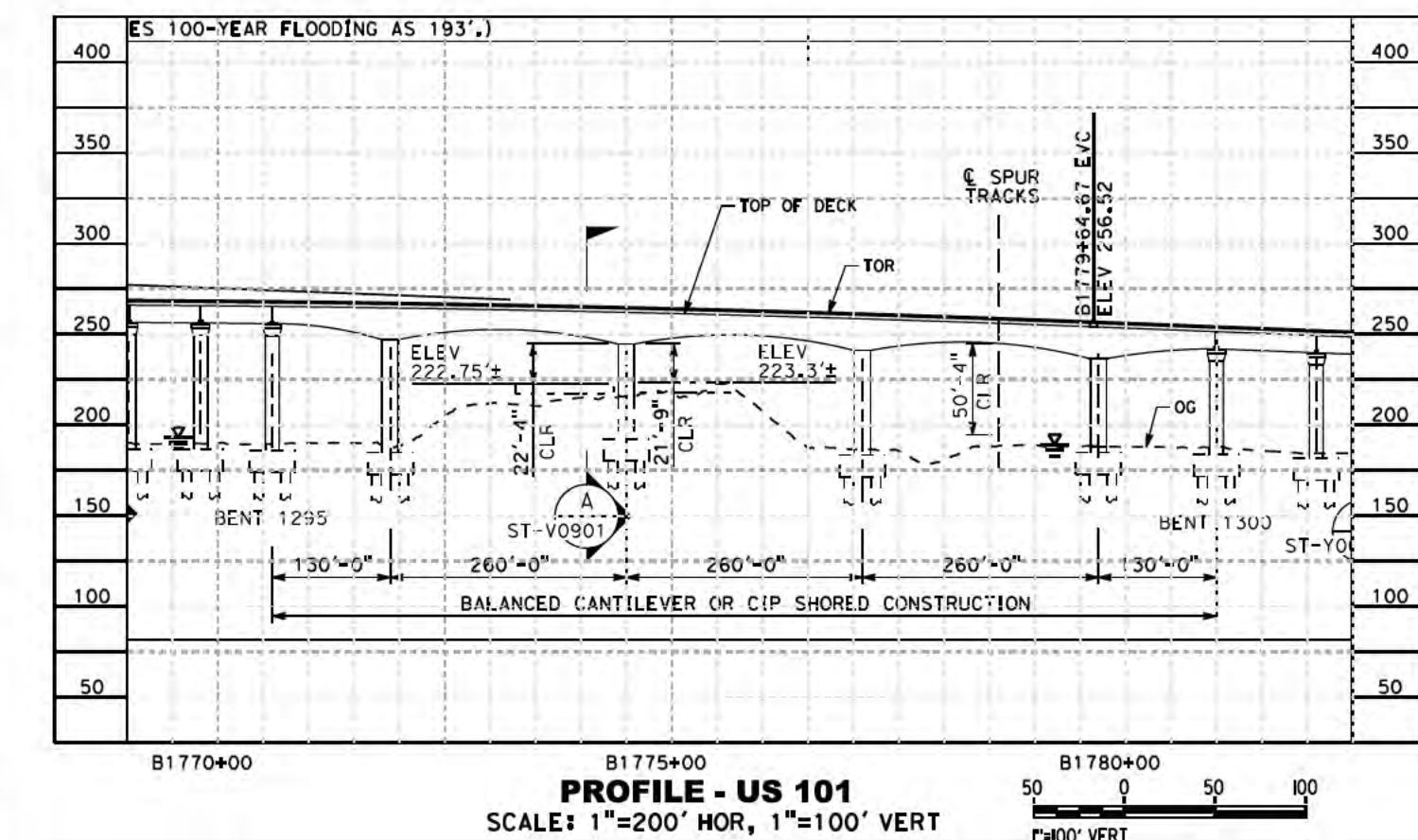
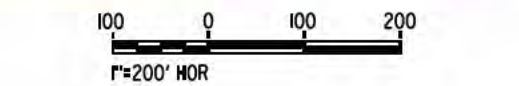
PLAN - I - 5
SCALE: 1"=80'

SAN JOSE TO CVY EIR/S: VOLUME III
ALTERNATIVE 3
BOOK 3C
SHEET 98 OF 237

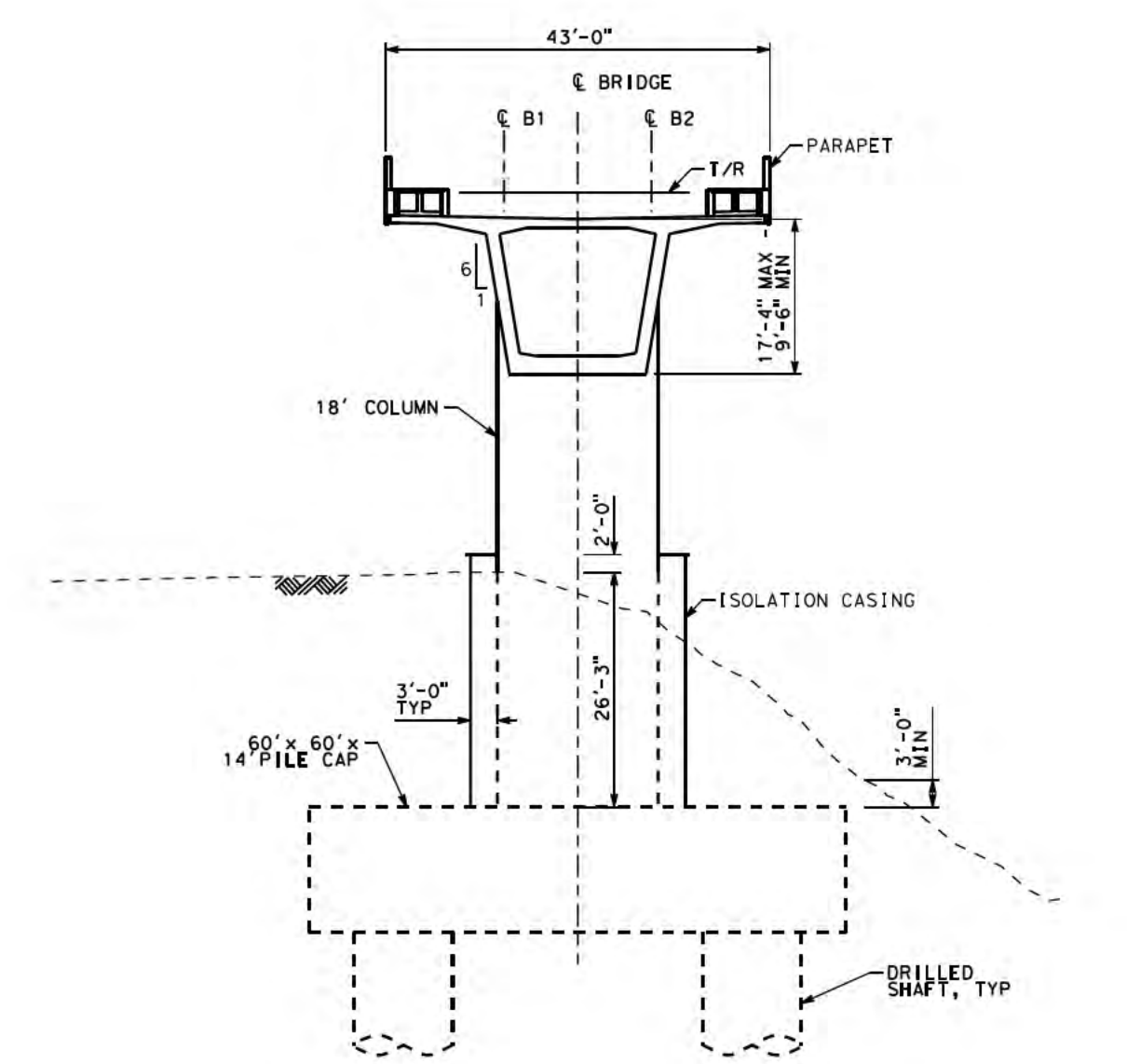
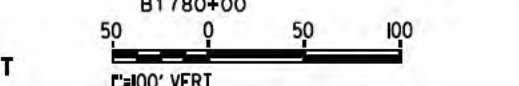
2021 RECORD SET PBD NOVEMBER 30, 2021 NOT FOR CONSTRUCTION	HNTB 1111 Broadway 9th Floor Oakland, CA 94607	CALIFORNIA High-Speed Rail Authority	CALIFORNIA HIGH-SPEED TRAIN PROJECT SAN JOSE TO MERCED MORGAN HILL AND GILROY VIADUCT TO DOWNTOWN GILROY CALTRANS STRUCTURES GENERAL PLAN	CONTRACT NO. HSR15-34 DRAWING NO. ST-T0701 SCALE AS SHOWN SHEET NO.
--	--	--	---	--



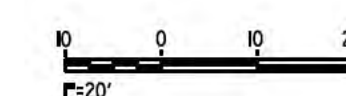
PLAN - US 101
SCALE: 1"=200'



PROFILE - US 101
SCALE: 1"=200' HOR, 1"=100' VERT

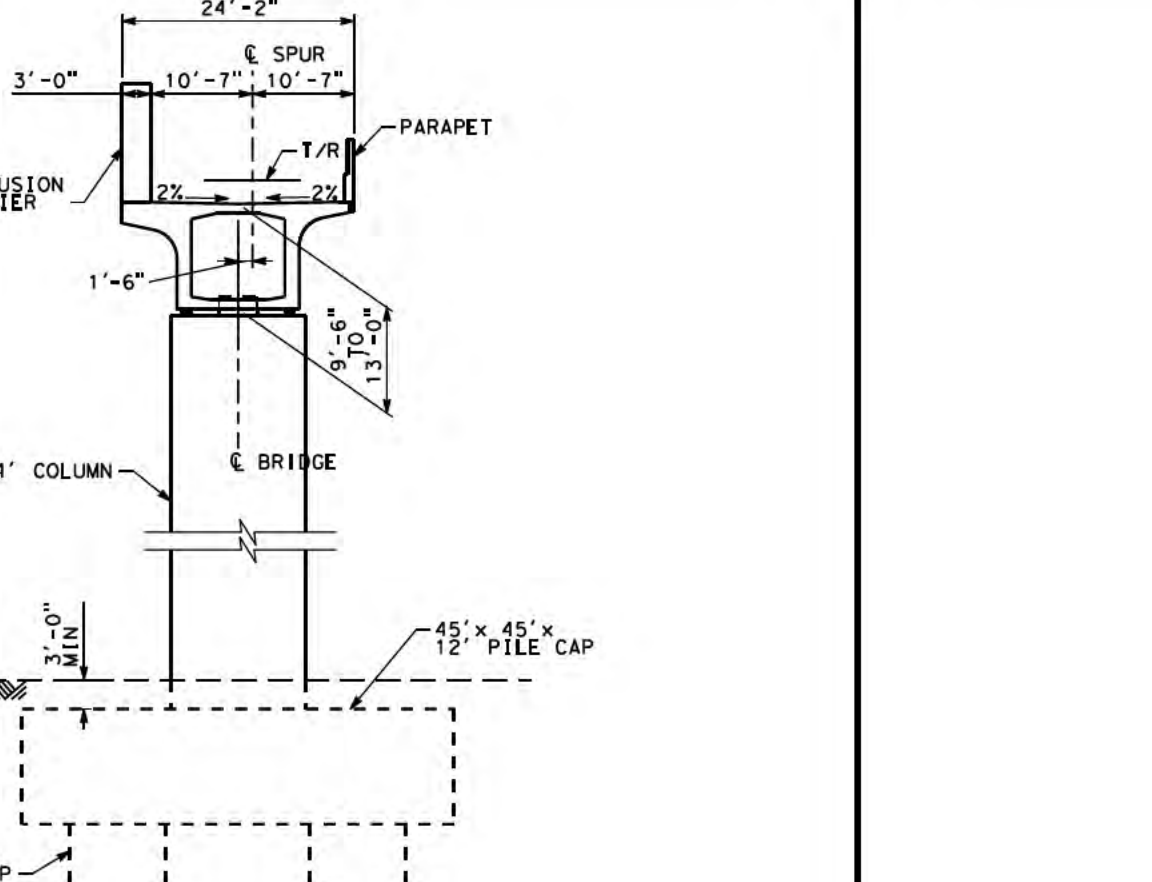
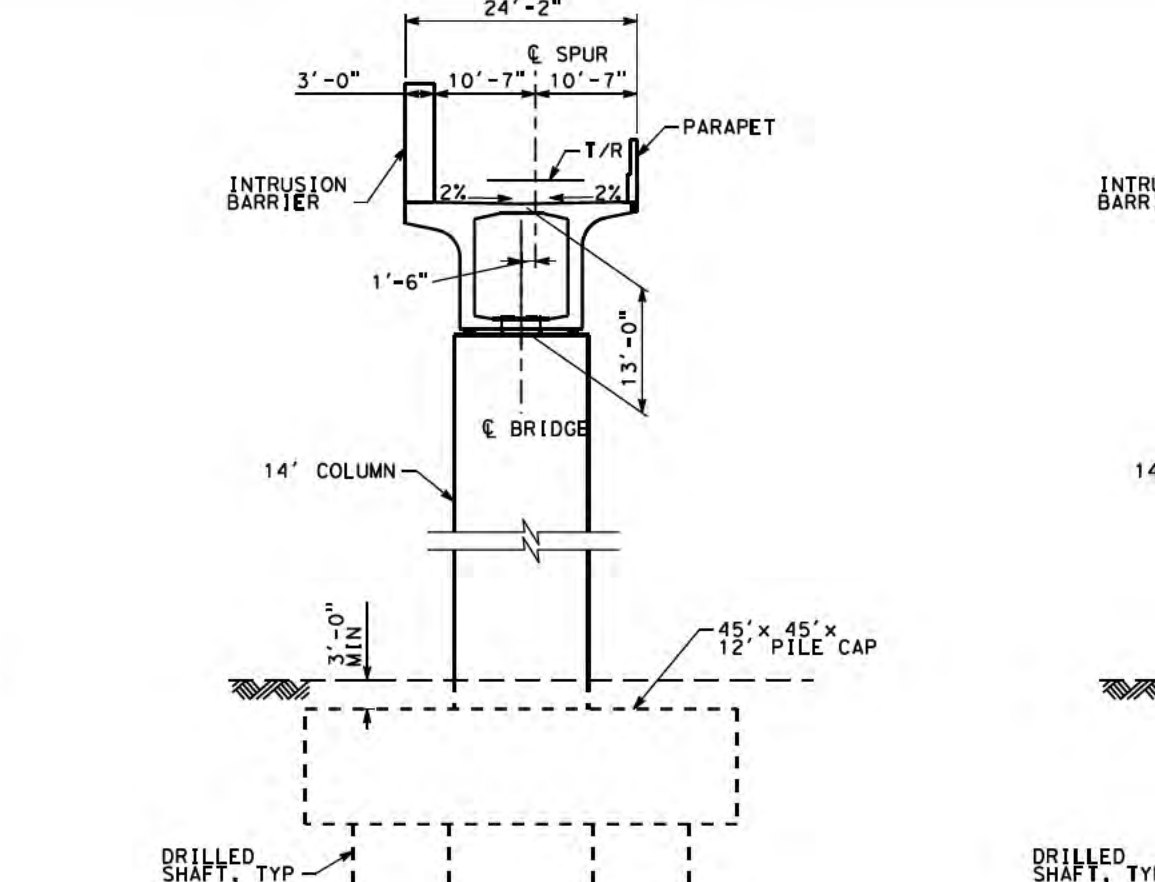
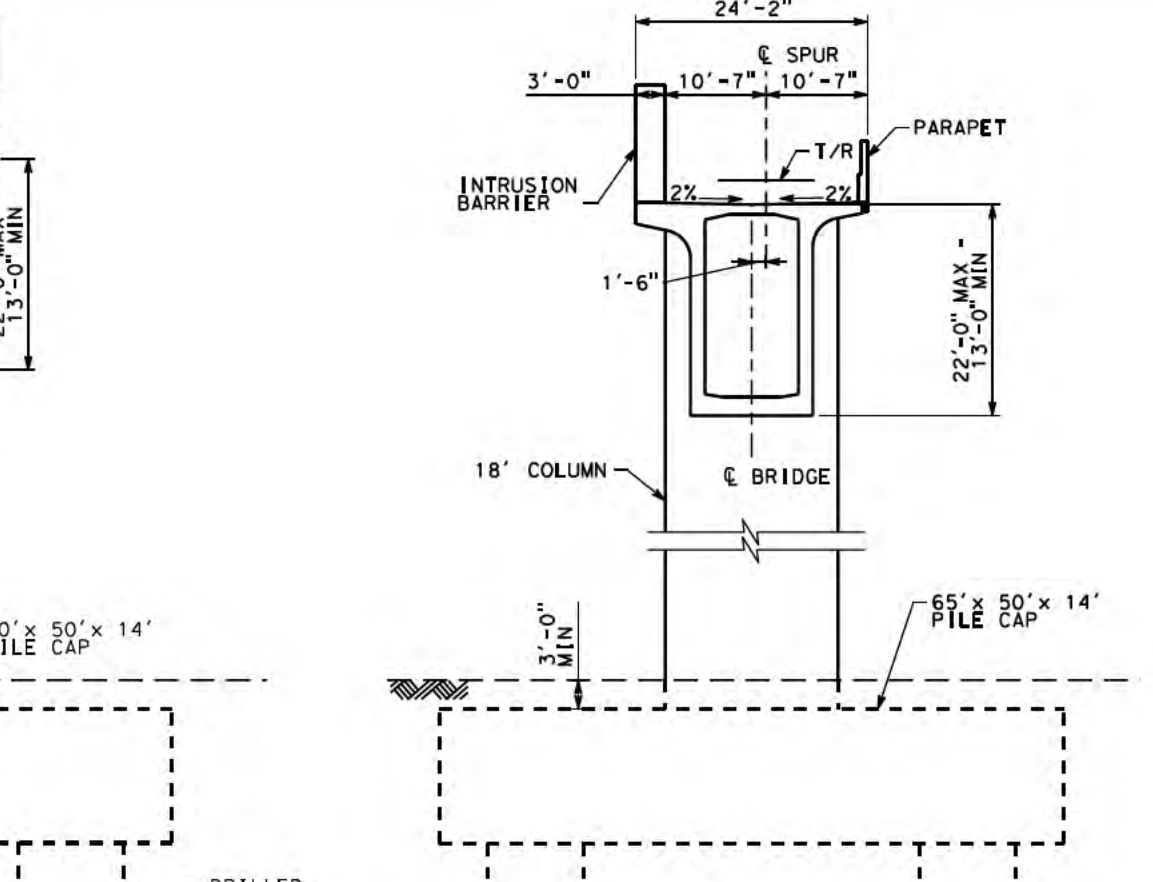
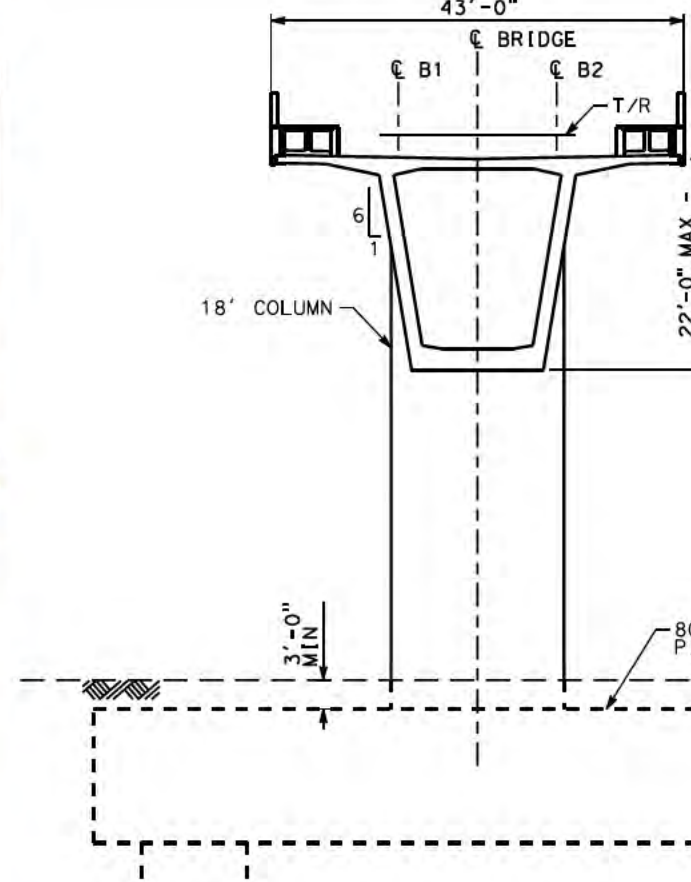
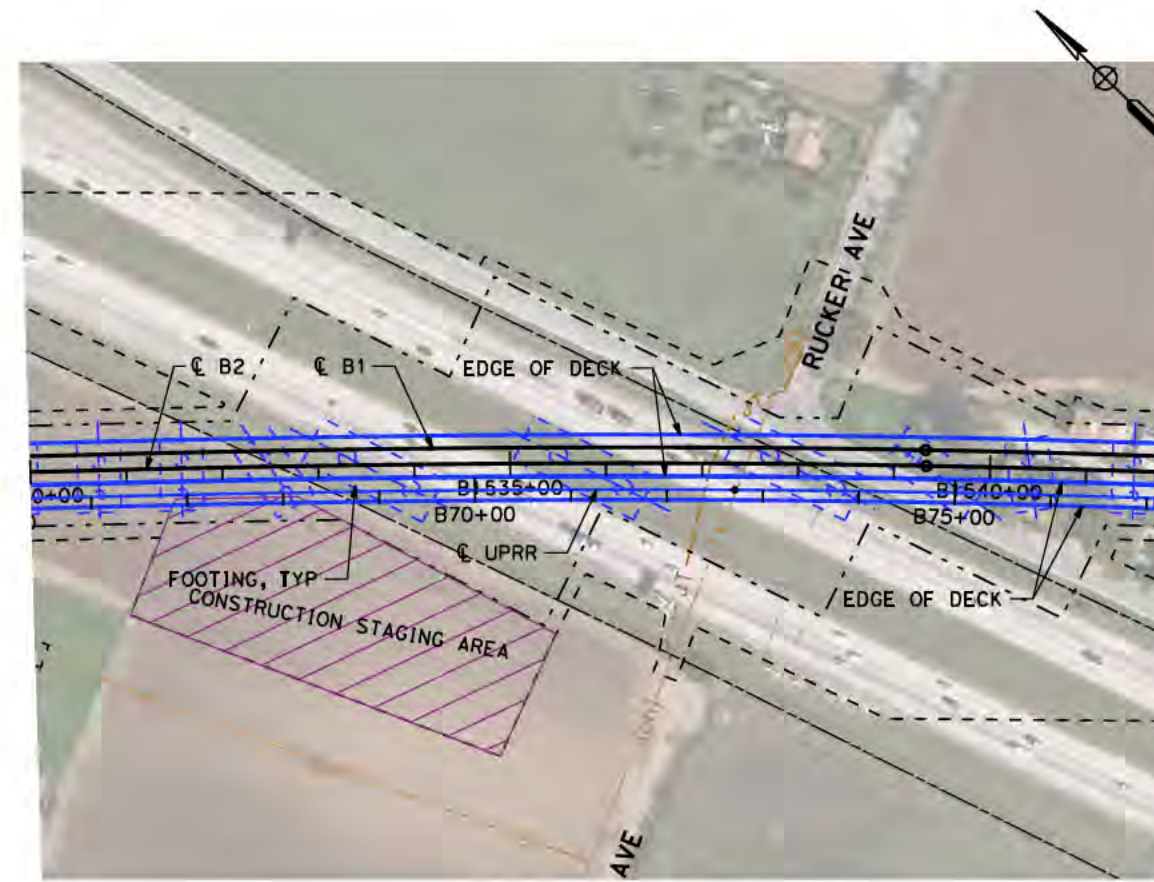


SECTION
SCALE: 1"=20'-0"



2021 RECORD SET PBD NOVEMBER 30, 2021 NOT FOR CONSTRUCTION	HNTB 1111 Broadway 9th Floor Oakland, CA 94607		CALIFORNIA HIGH-SPEED TRAIN PROJECT SAN JOSE TO MERCED MORGAN HILL AND GILROY VIADUCT TO DOWNTOWN GILROY COMPLEX STRUCTURES GENERAL PLAN	CONTRACT NO. HSR15-34 DRAWING NO. ST-V0901 SCALE AS SHOWN SHEET NO.
--	--	--	--	--

SAN JOSE TO CVY EIR/S: VOLUME III
ALTERNATIVE 3
BOOK 3C
SHEET 99 OF 237



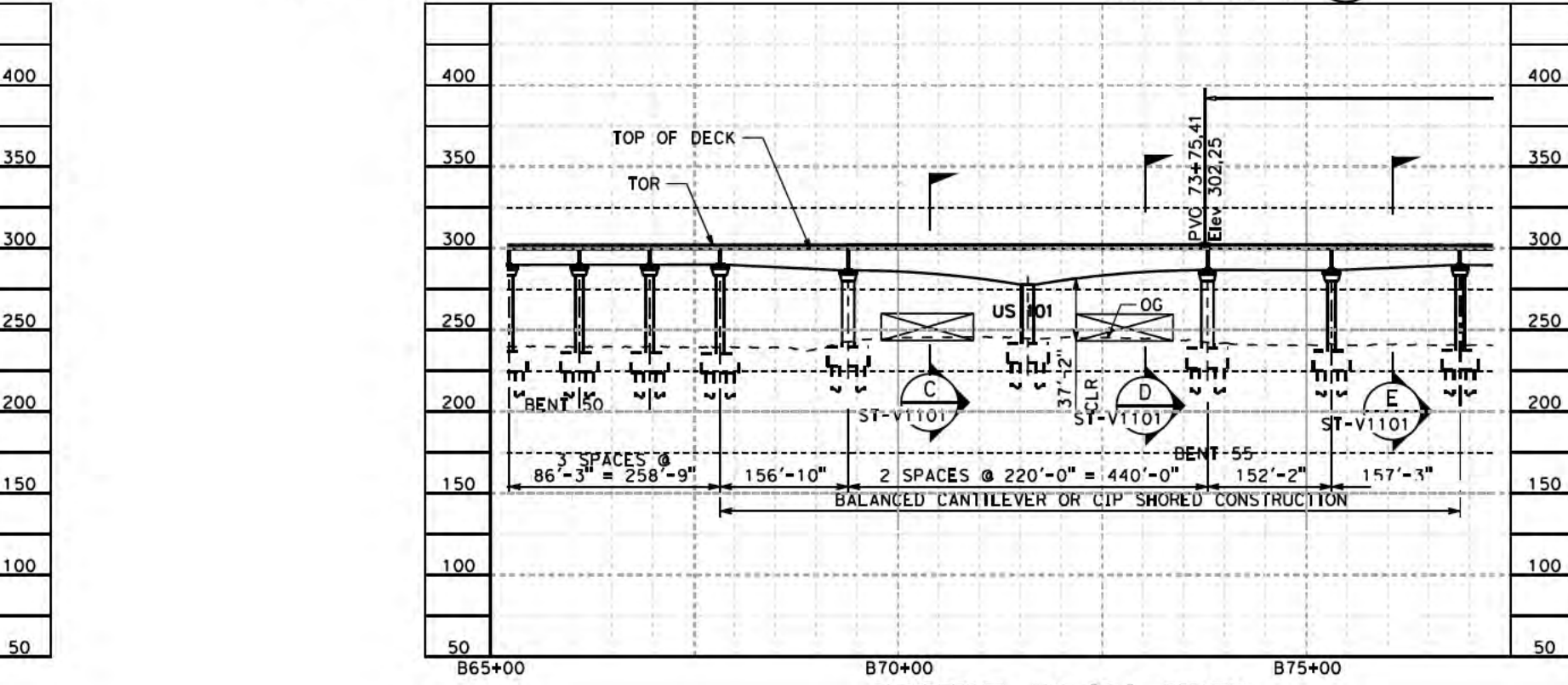
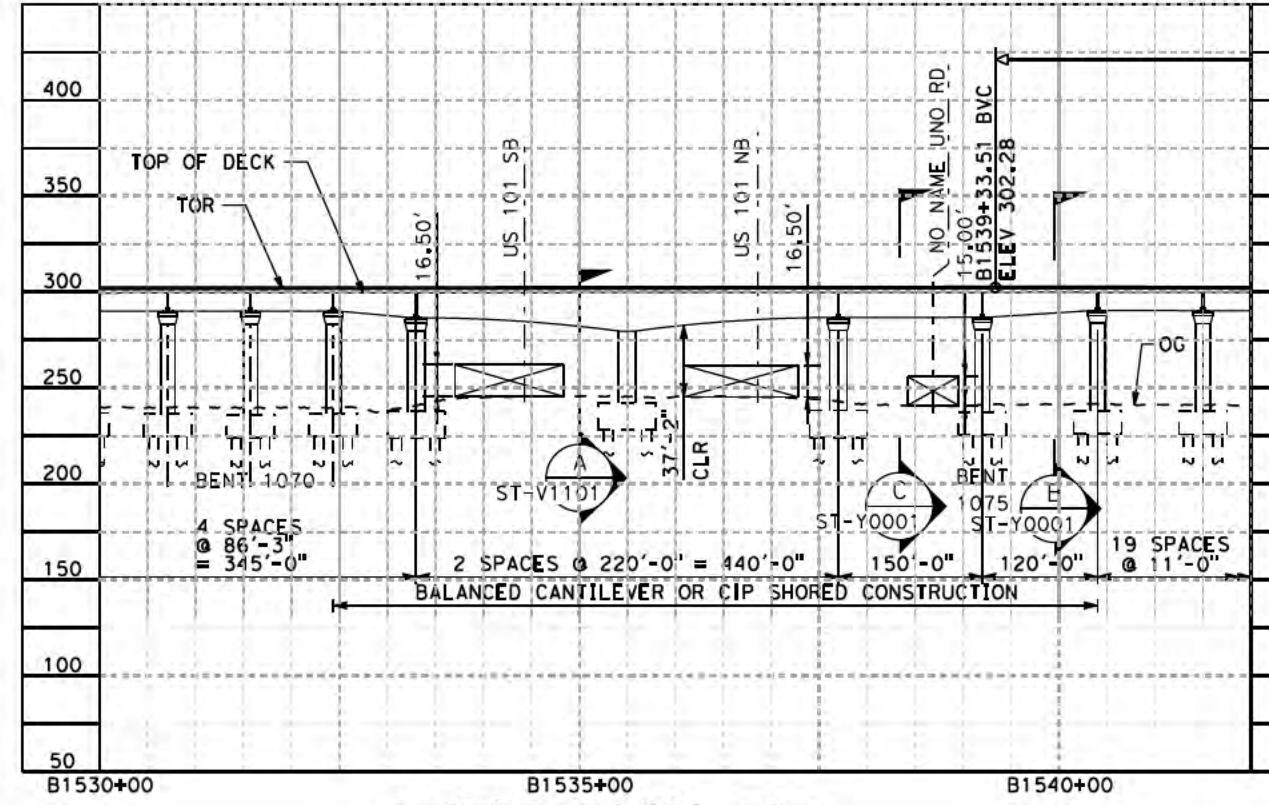
PLAN - US 101
SCALE: 1"=200'

SECTION A-A
SCALE 1"=20'-0"

SECTION C-C
SCALE 1"=20'-0"

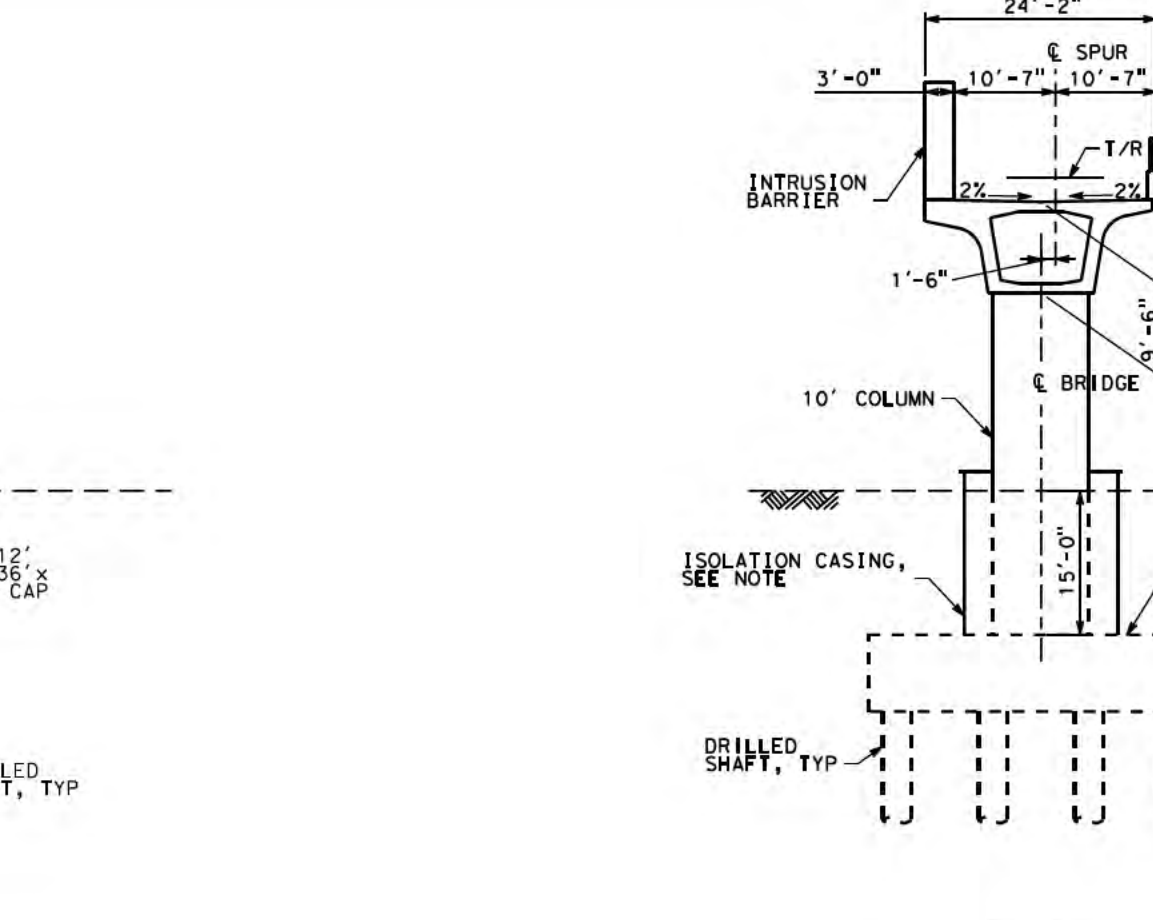
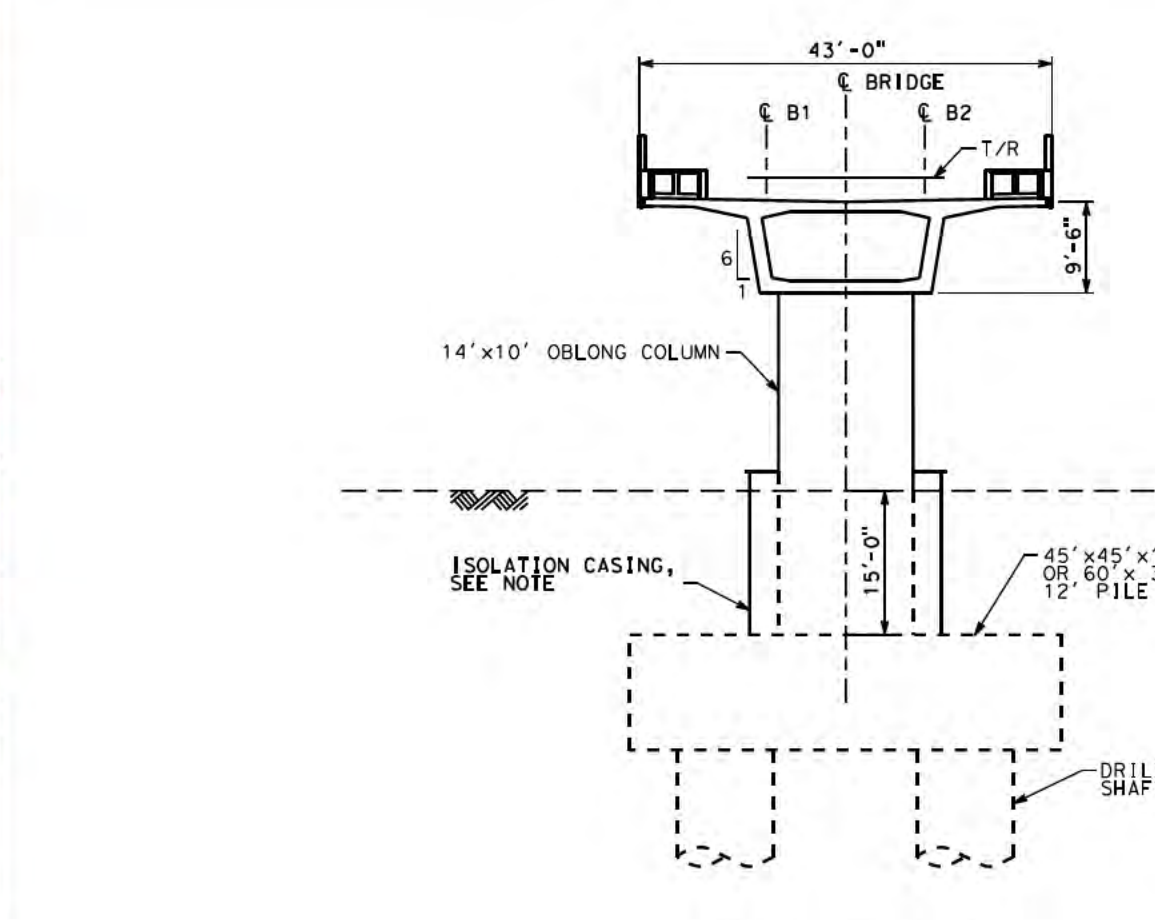
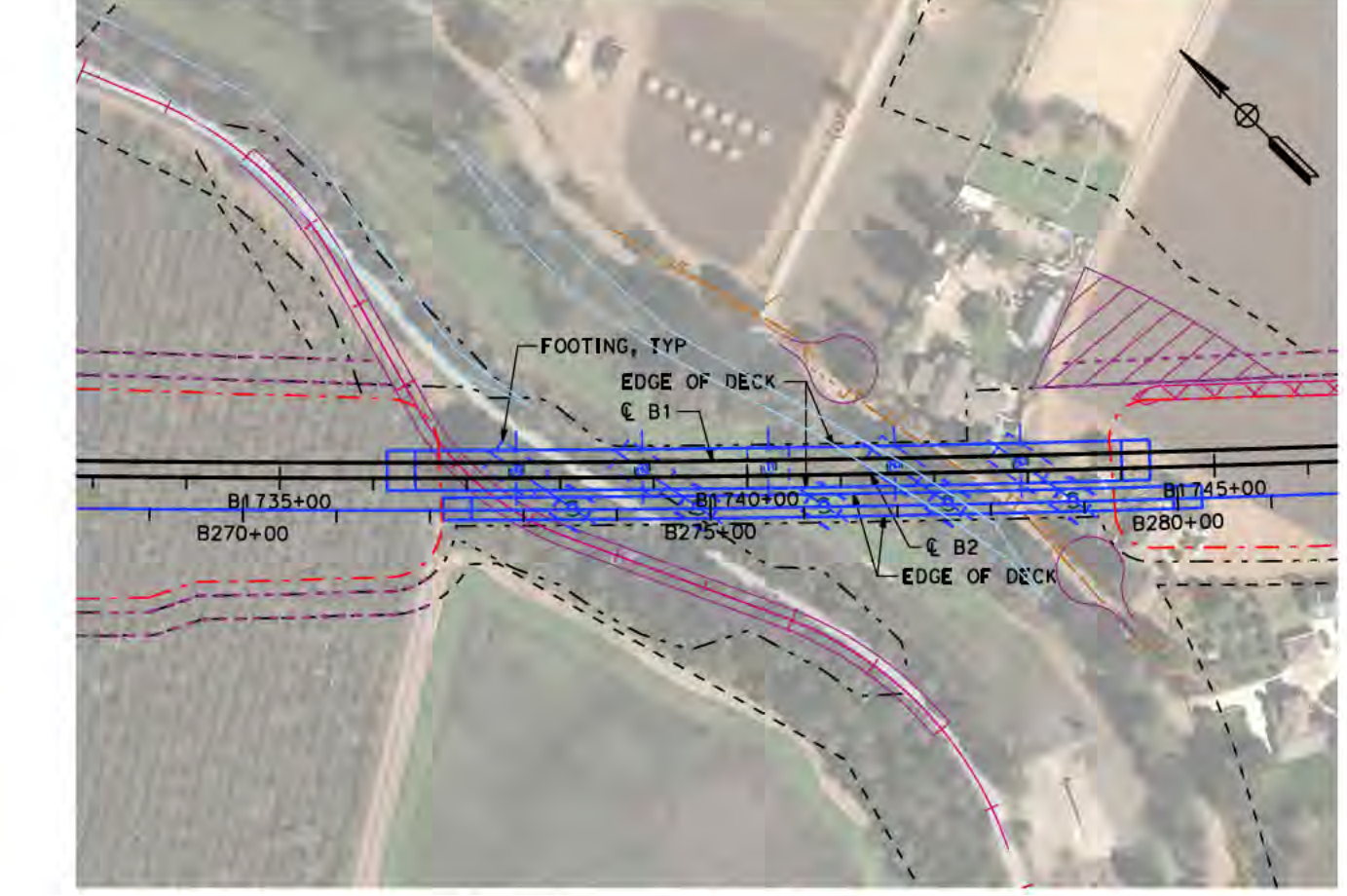
SECTION D-D
SCALE 1"=20'-0"

SECTION E-E
SCALE 1"=20'-0"



PROFILE - US 101 - HSR
SCALE: 1"=200' HOR, 1"=100' VERT

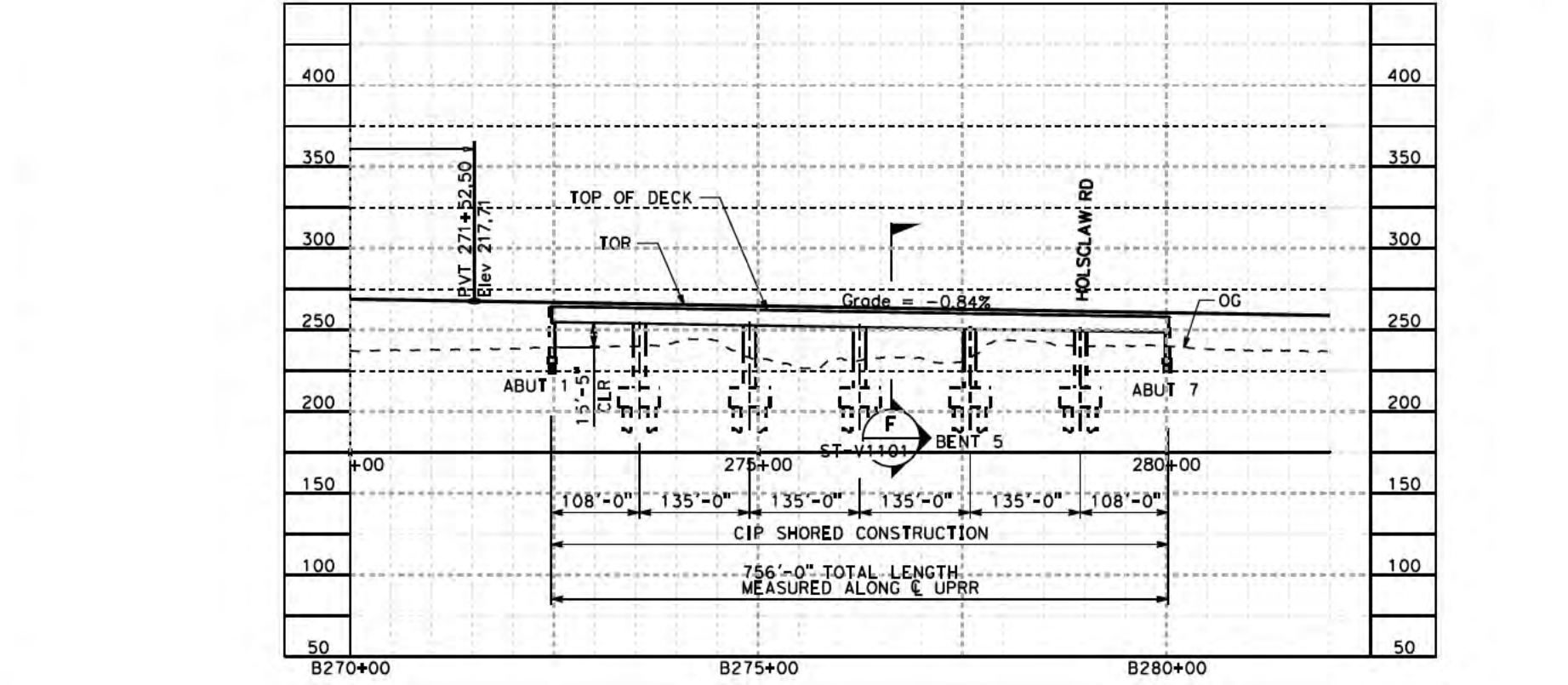
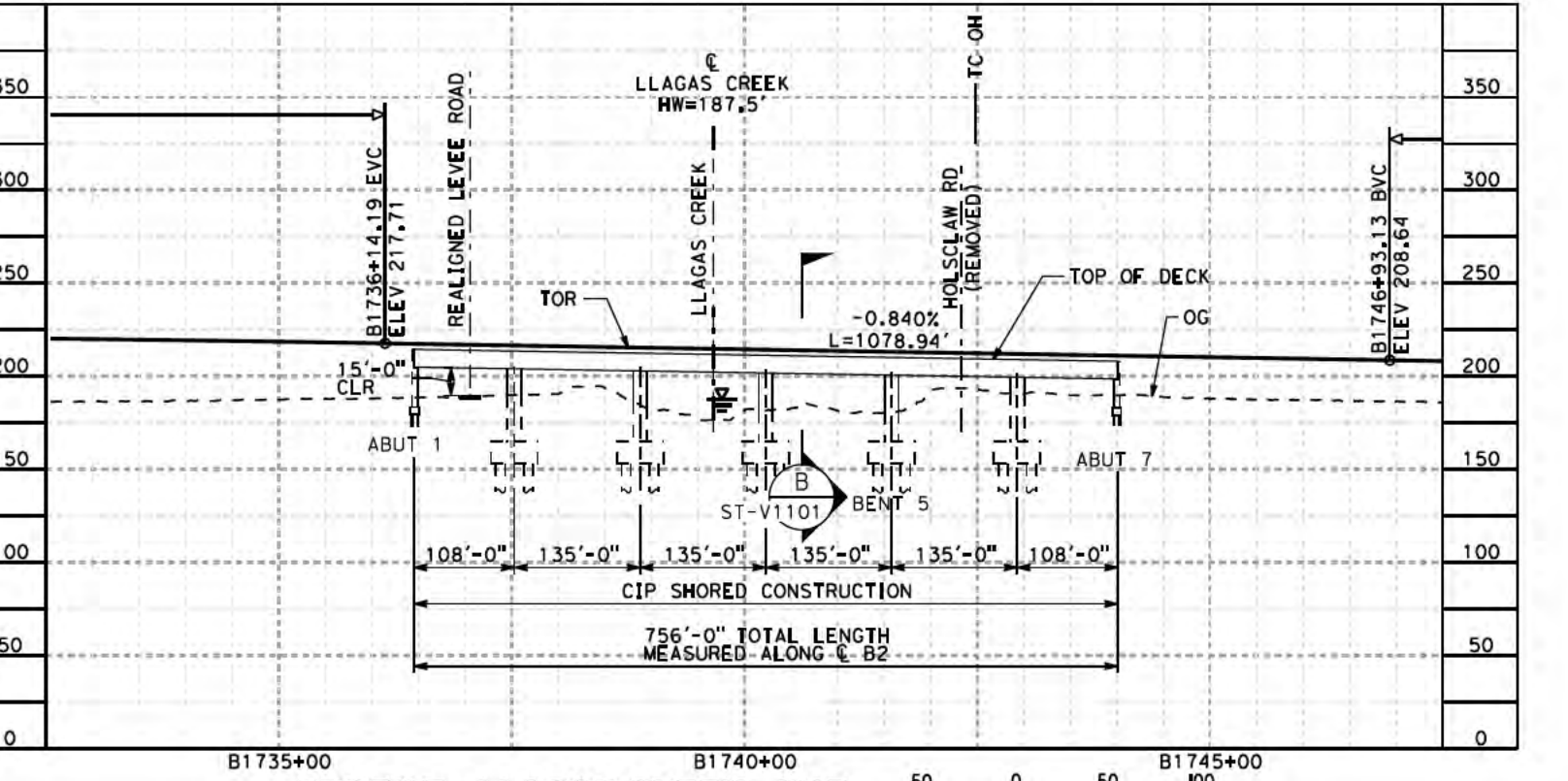
PROFILE - US 101 - UPRR
SCALE: 1"=200' HOR, 1"=100' VERT



PLAN - LLAGAS CREEK
SCALE: 1"=200'

SECTION B-B
SCALE 1"=20'-0"

SECTION F-F
SCALE 1"=20'-0"



PROFILE - LLAGAS CREEK - HSR
SCALE: 1"=200' HOR, 1"=100' VERT

PROFILE - LLAGAS CREEK - UPRR
SCALE: 1"=200' HOR, 1"=100' VERT

NOTES:
1. PILE CAPS ARE LOWERED TO ACCOMMODATE A FUTURE SCVMD PROJECT.

SAN JOSE TO CVY EIR/S: VOLUME III
ALTERNATIVE 3
BOOK 3C
SHEET 100 OF 237

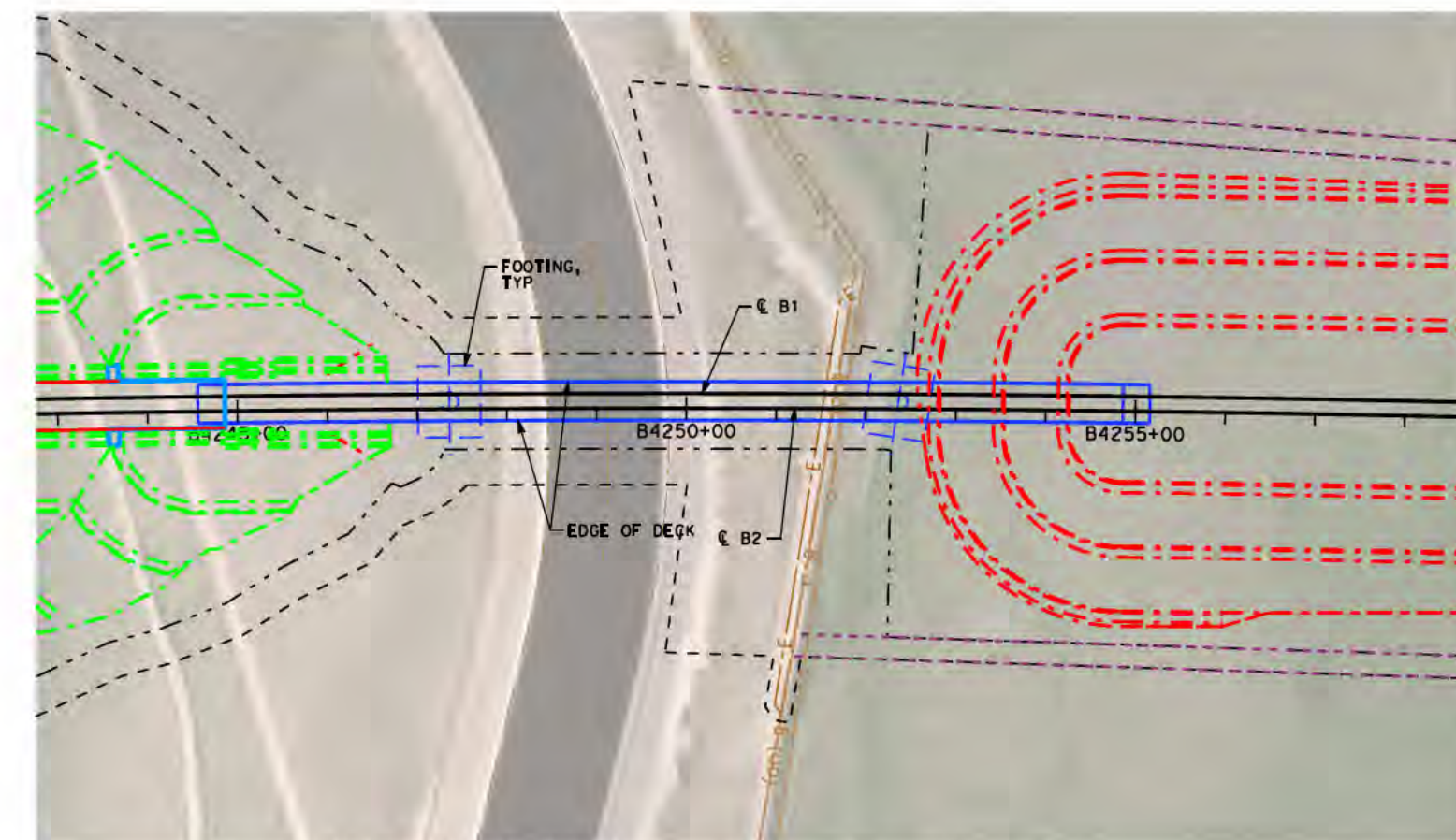
2021 RECORD SET PBD
NOVEMBER 30, 2021
NOT FOR CONSTRUCTION

HNTB
1111 Broadway
9th Floor
Oakland, CA 94607

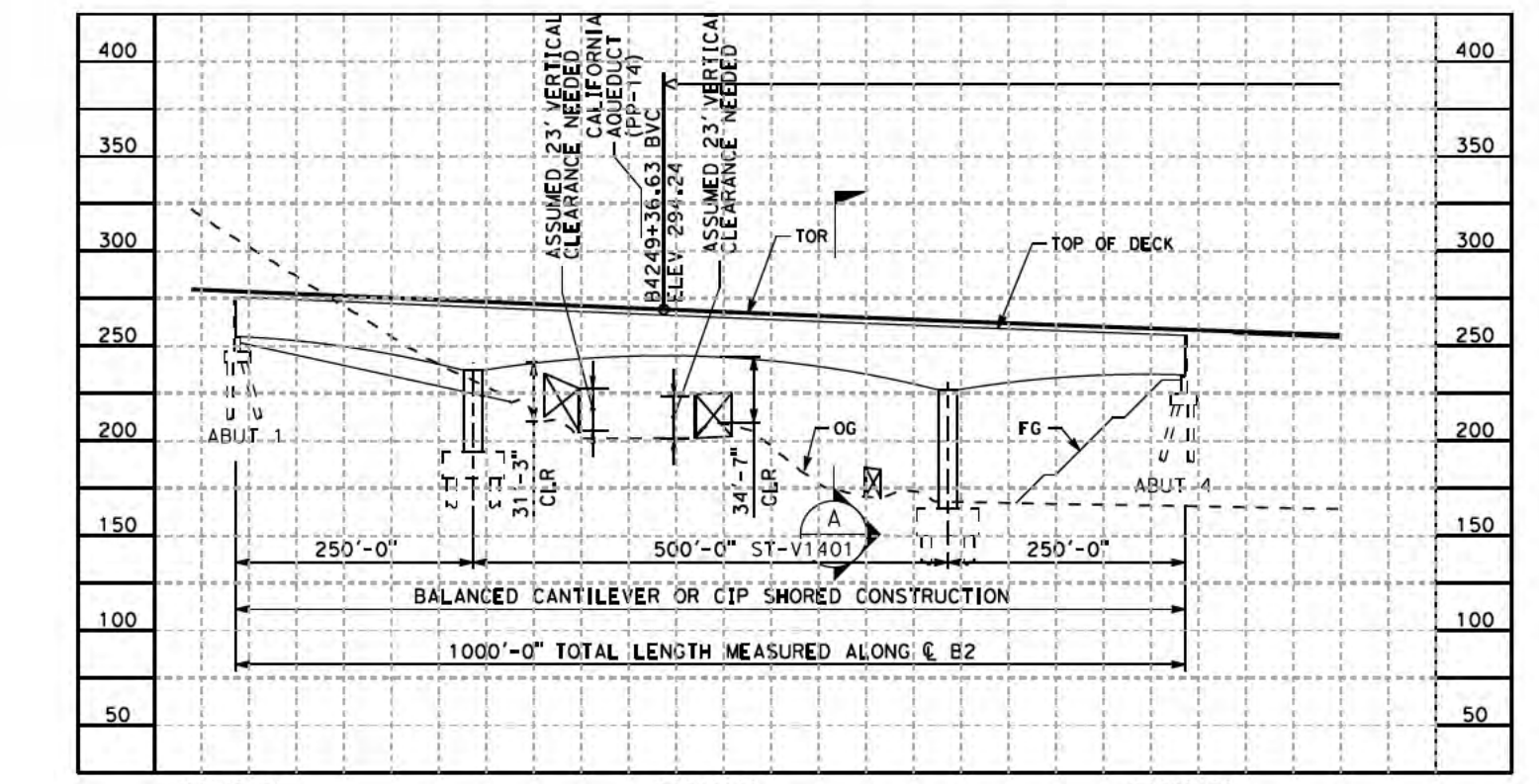
CALIFORNIA High-Speed Rail Authority

CALIFORNIA HIGH-SPEED TRAIN PROJECT
SAN JOSE TO MERCED
MORGAN HILL AND GILROY VIADUCT TO EAST GILROY COMPLEX STRUCTURES
GENERAL PLAN

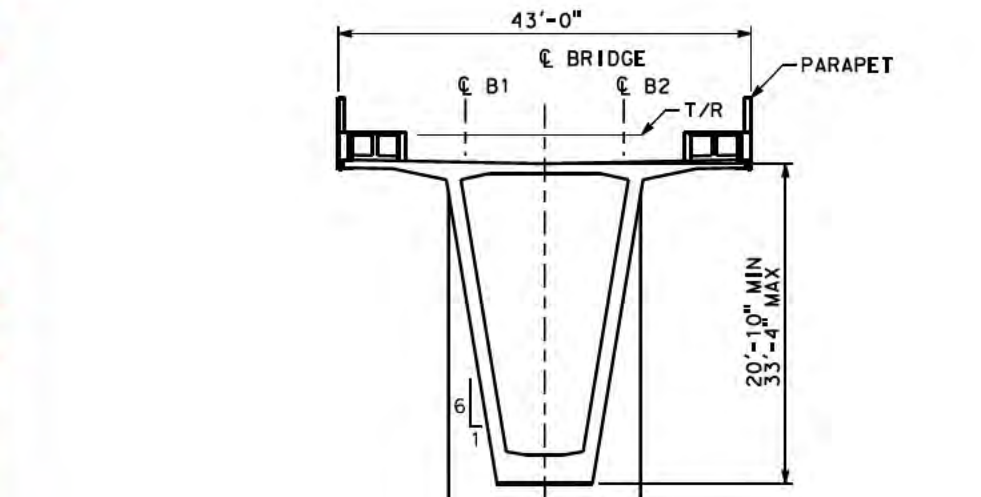
CONTRACT NO. HSR15-34
DRAWING NO. ST-V1101
SCALE AS SHOWN
SHEET NO.



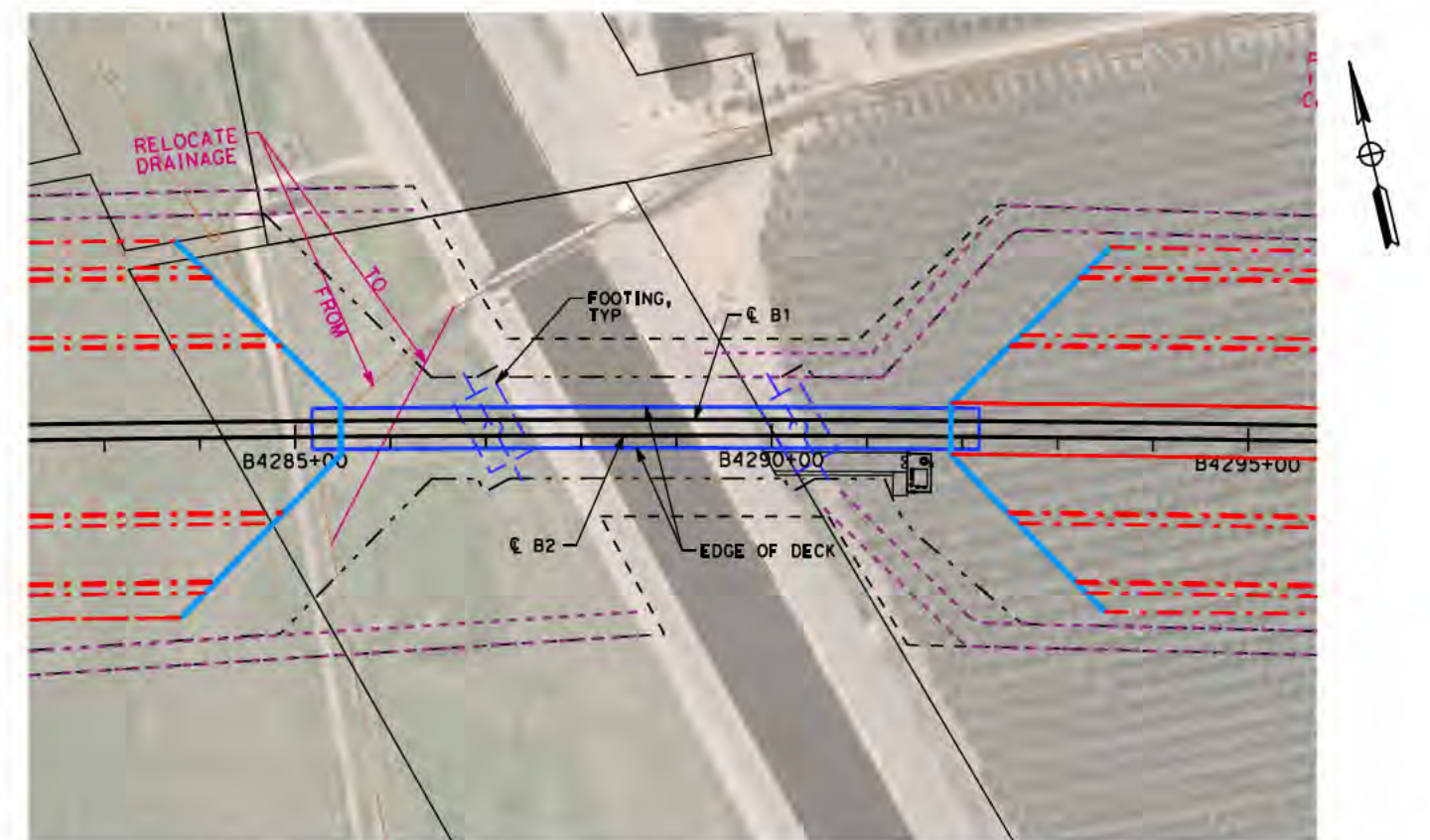
PLAN - CALIFORNIA AQUEDUCT
SCALE: 1"=200'



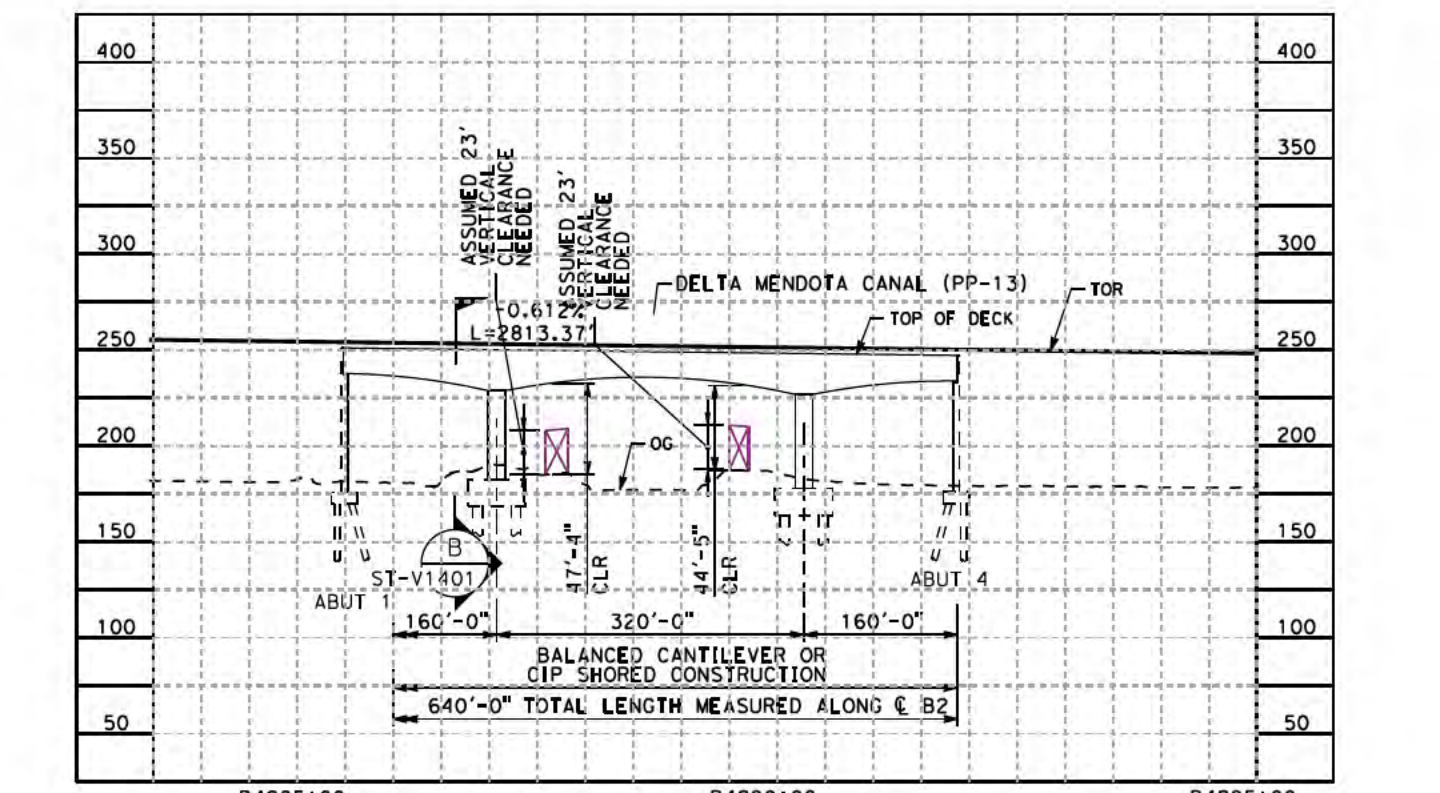
PROFILE - CALIFORNIA AQUEDUCT
SCALE: 1"=200' HOR, 1"=100' VERT



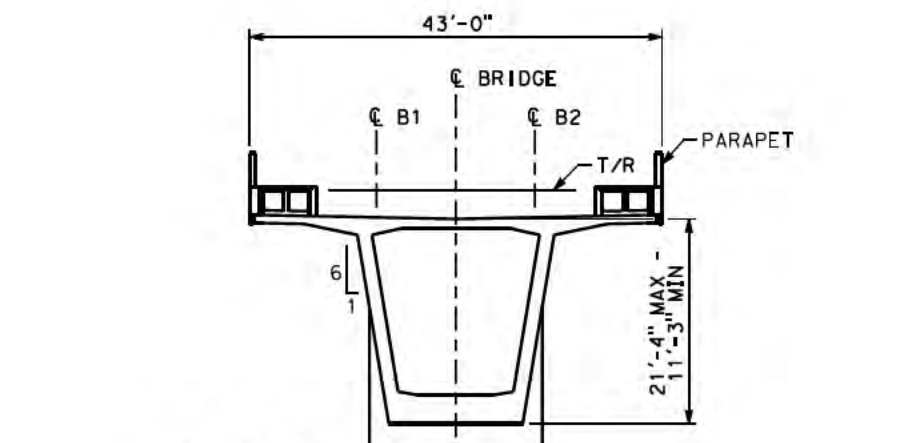
SECTION
SCALE 1"=20'-0"



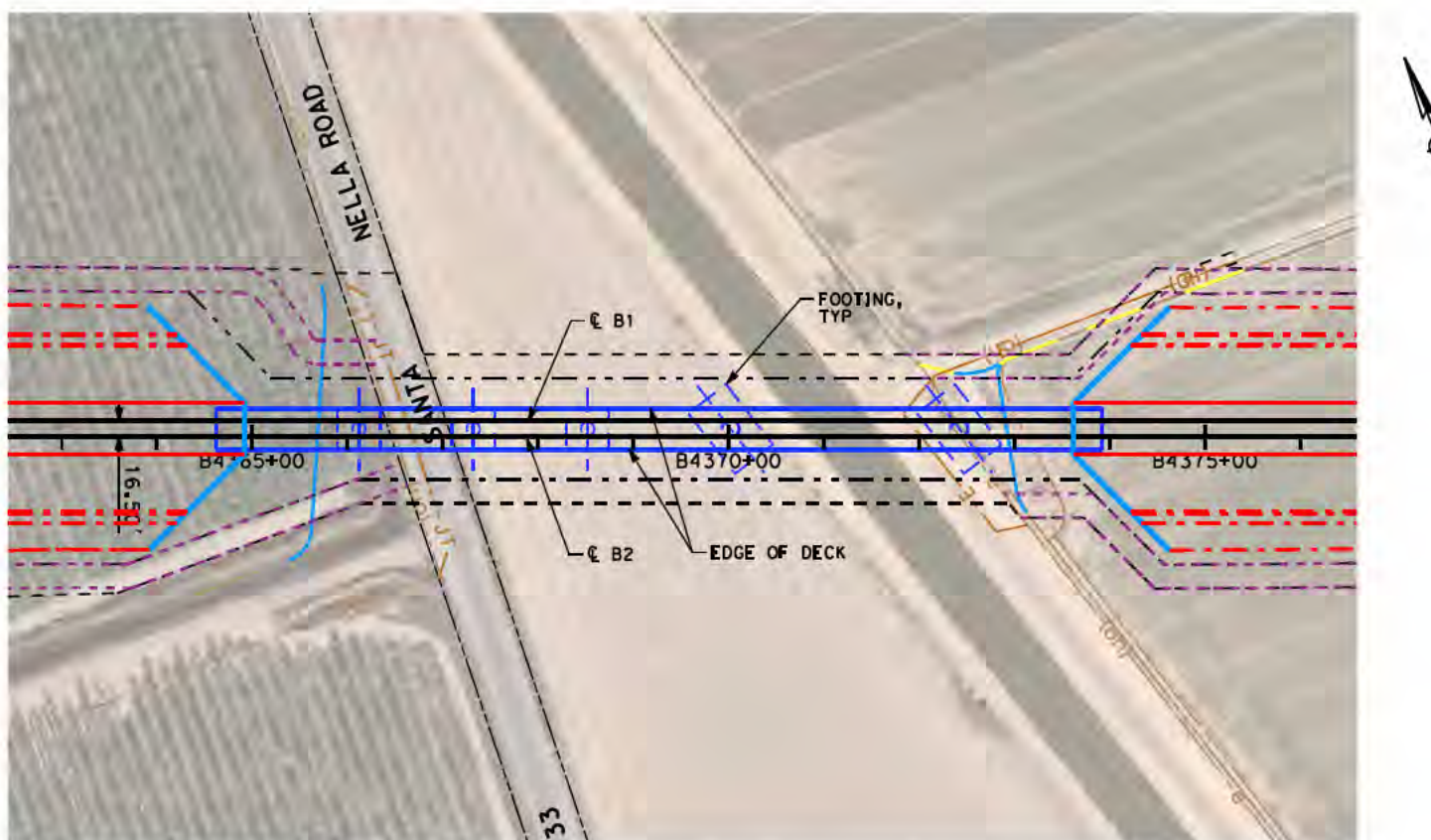
PLAN - DELTA MENDOTA
SCALE: 1"=200'



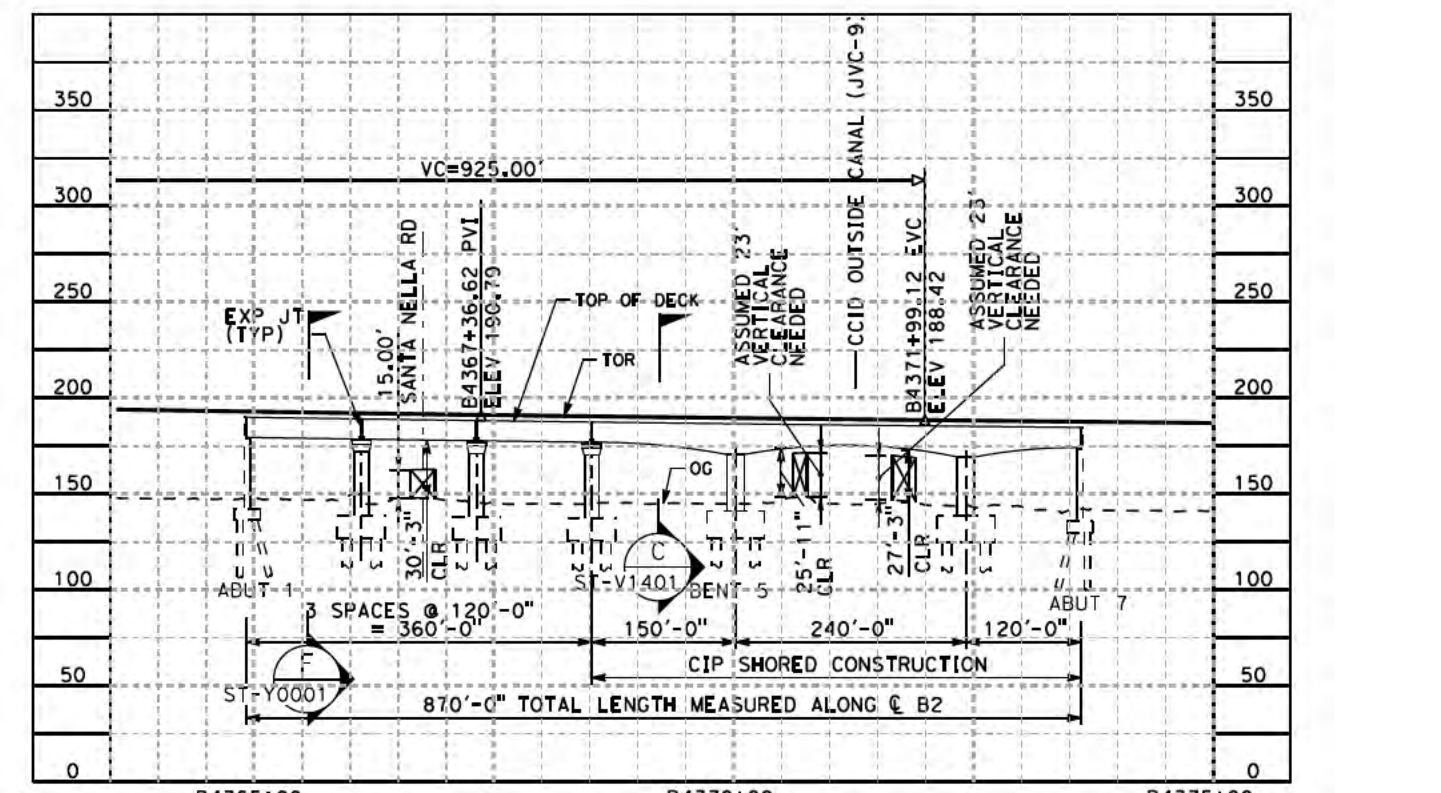
PROFILE - DELTA MENDOTA
SCALE: 1"=200' HOR, 1"=100' VERT



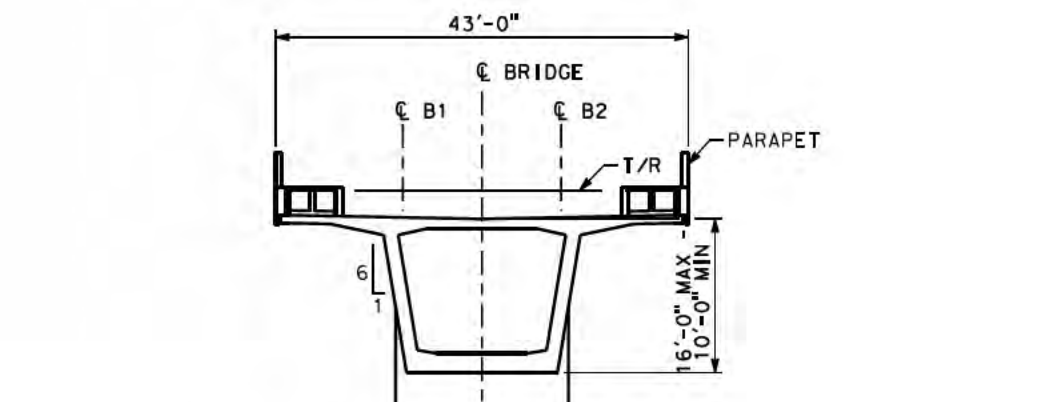
SECTION
SCALE 1"=20'-0"



PLAN - CCID OUTSIDE CANAL
SCALE: 1"=200'



PROFILE - CCID OUTSIDE CANAL
SCALE: 1"=200' HOR, 1"=100' VERT

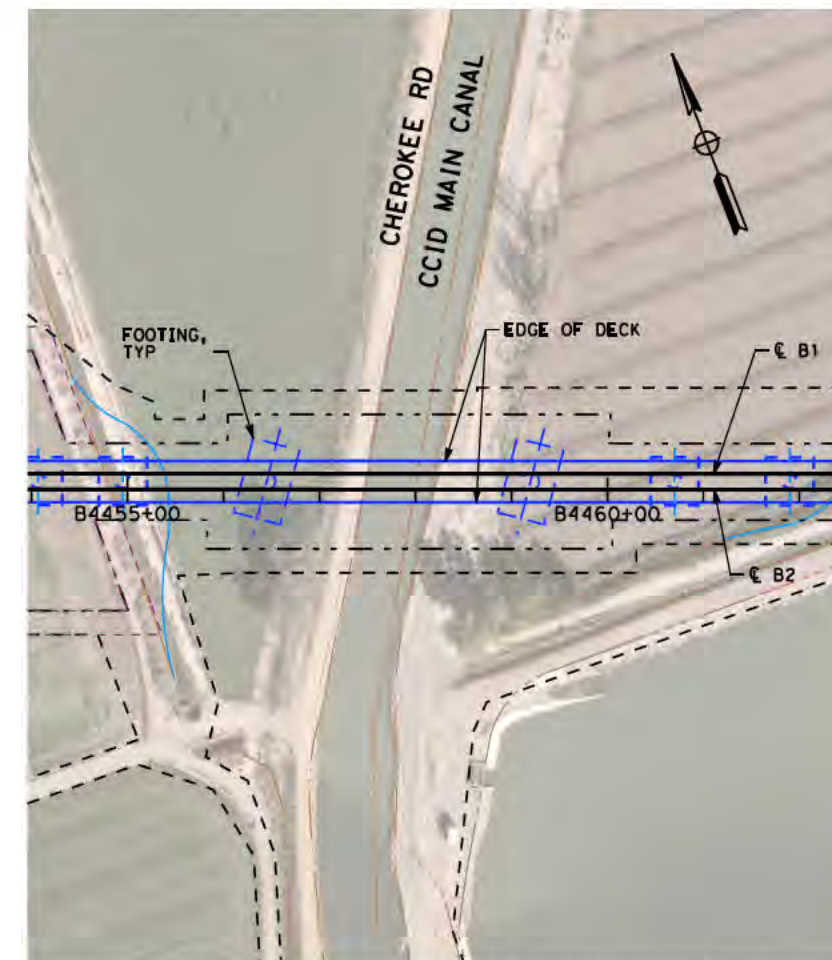


SECTION
SCALE 1"=20'-0"

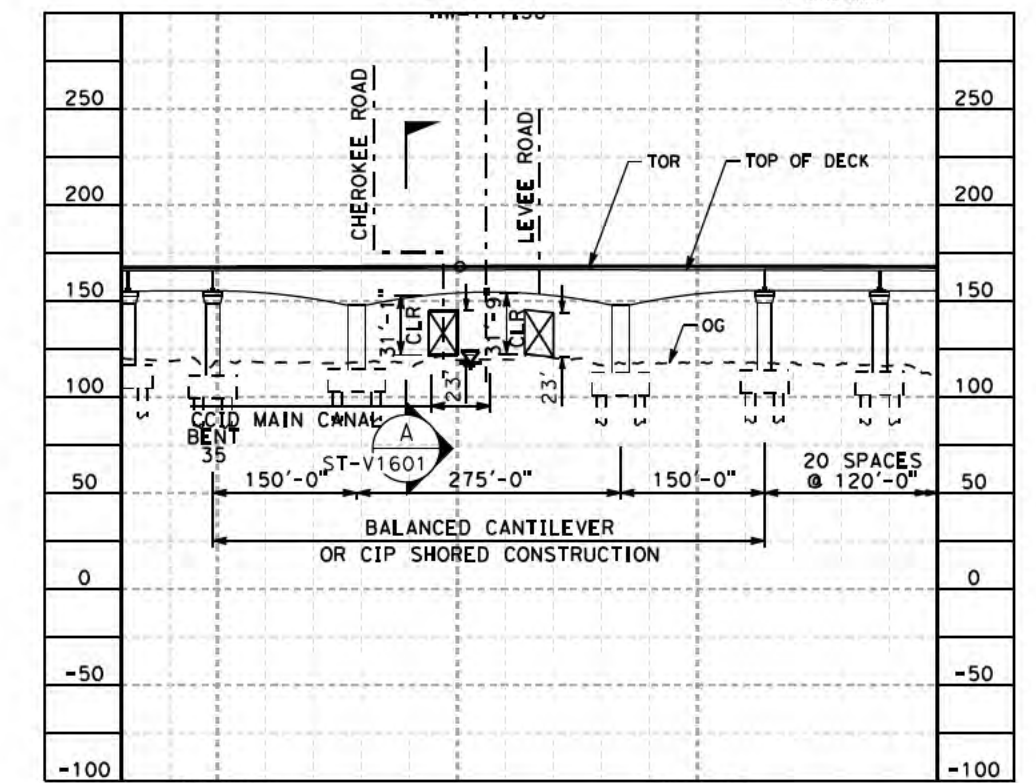
NOTE:
1. REFER TO GENERAL NOTES SHEETS GE-B0001 AND GE-B0002 FOR NOTES.

SAN JOSE TO CVY EIR/S: VOLUME III
ALTERNATIVE 3
BOOK 3C
SHEET 101 OF 237

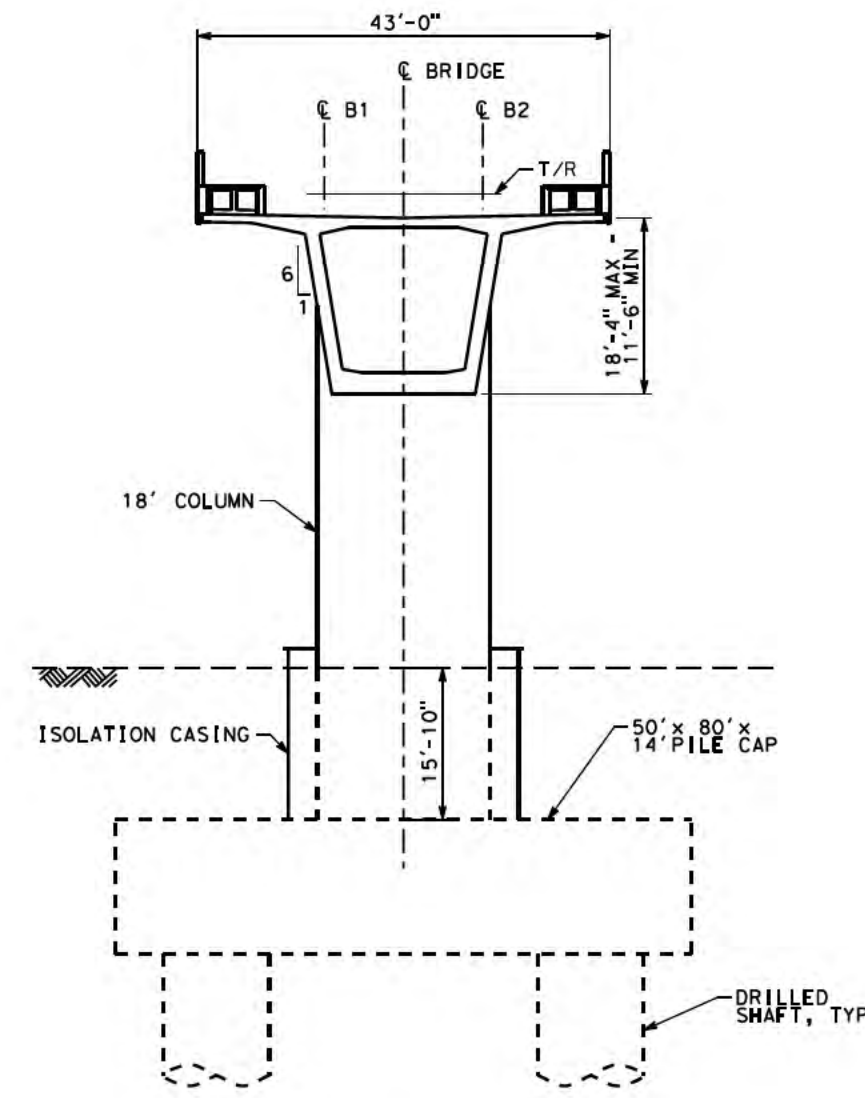
2021 RECORD SET PFD NOVEMBER 30, 2021 NOT FOR CONSTRUCTION	HNTB 1111 Broadway 9th Floor Oakland, CA 94607	CALIFORNIA High-Speed Rail Authority	CALIFORNIA HIGH-SPEED TRAIN PROJECT SAN JOSE TO MERCED PACHECO PASS TUNNEL COMPLEX STRUCTURES GENERAL PLAN	CONTRACT NO. HSR15-34 DRAWING NO. ST-V1401 SCALE AS SHOWN SHEET NO.
--	--	--	---	--



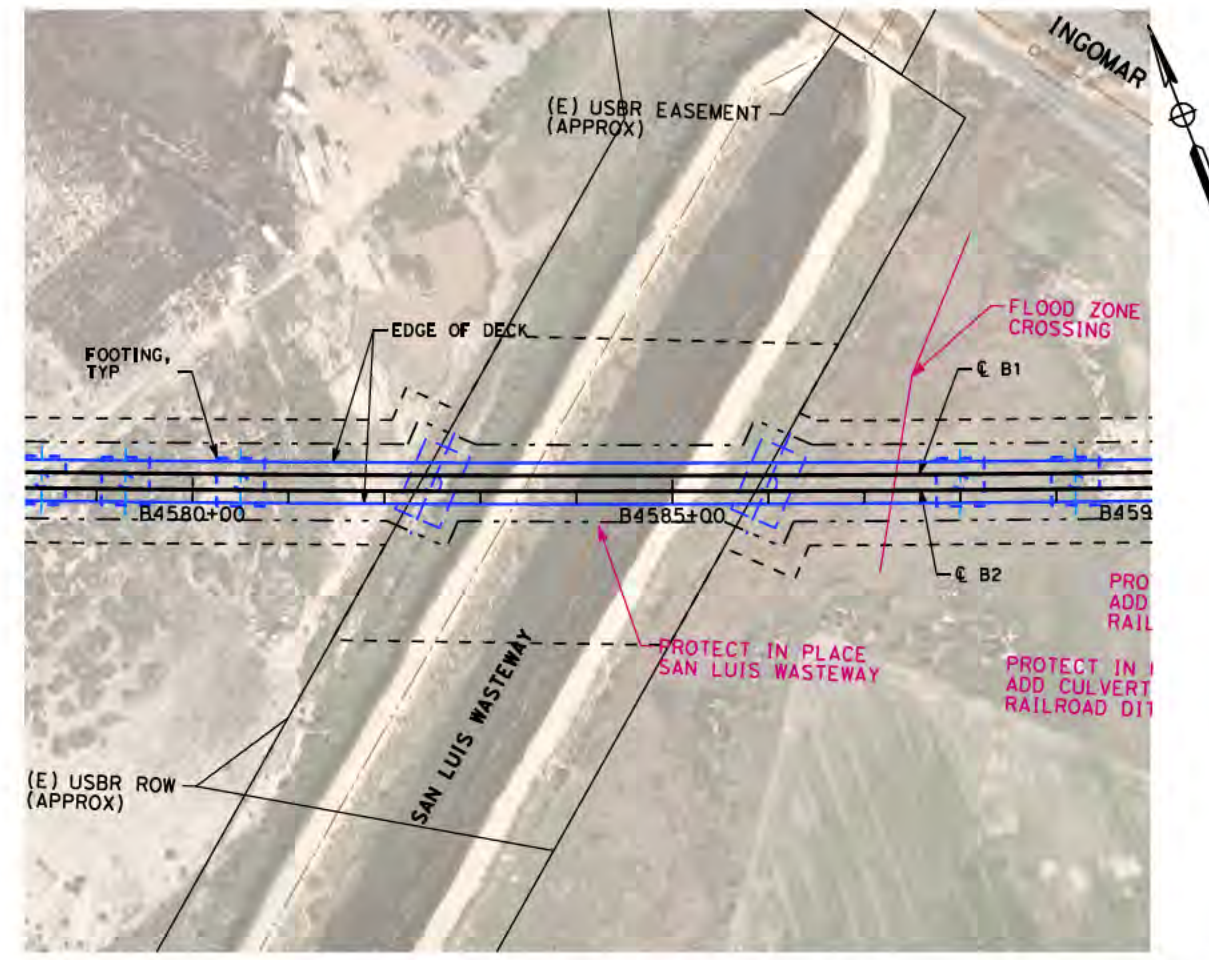
PLAN - CHEROKEE (LEVEE) RD
SCALE: 1"=200'



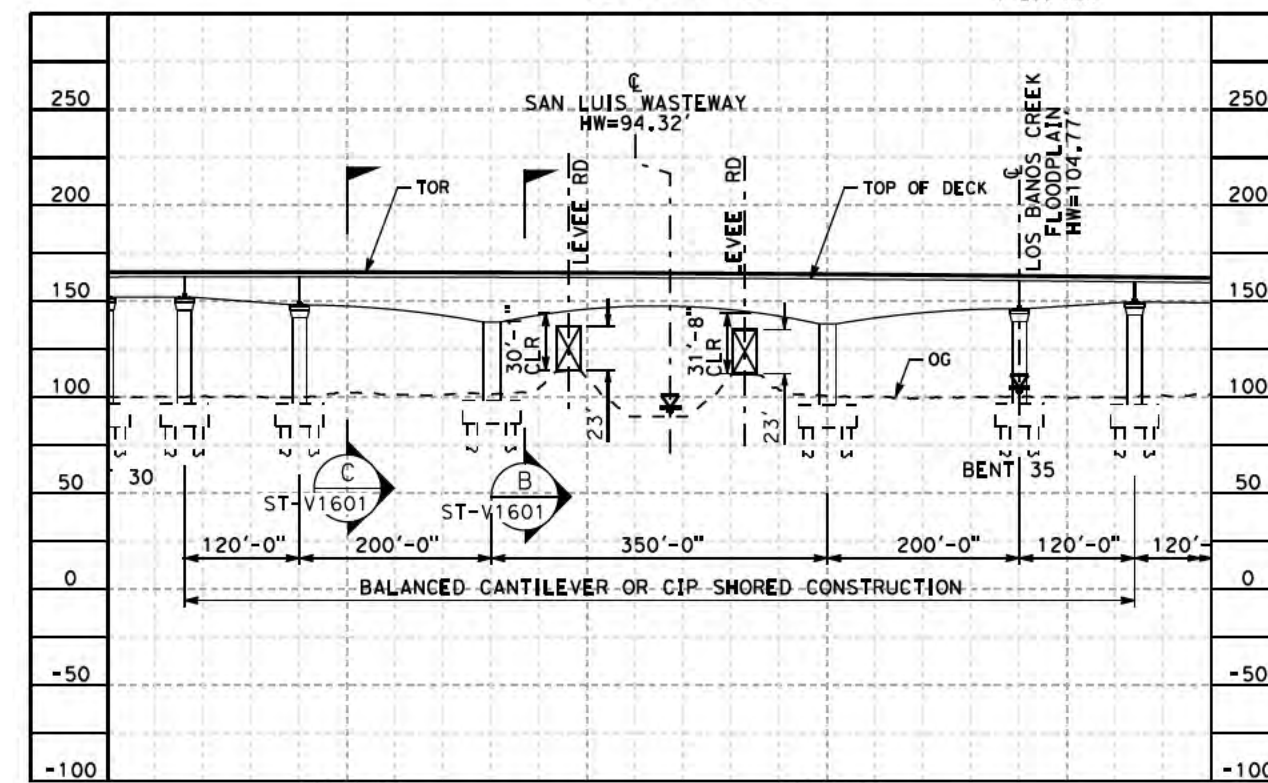
PROFILE - CHEROKEE (LEVEE) RD
SCALE: 1"=200' HOR, 1"=100' VERT



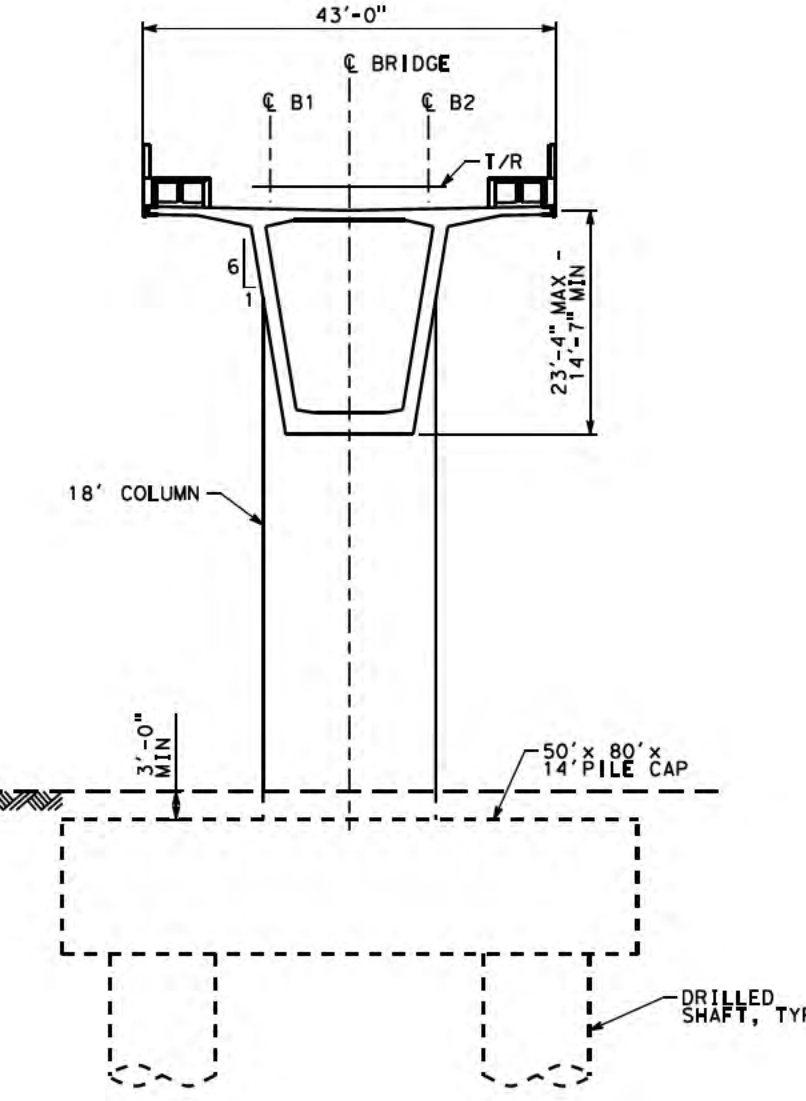
SECTION A-A
SCALE: 1"=20'-0"



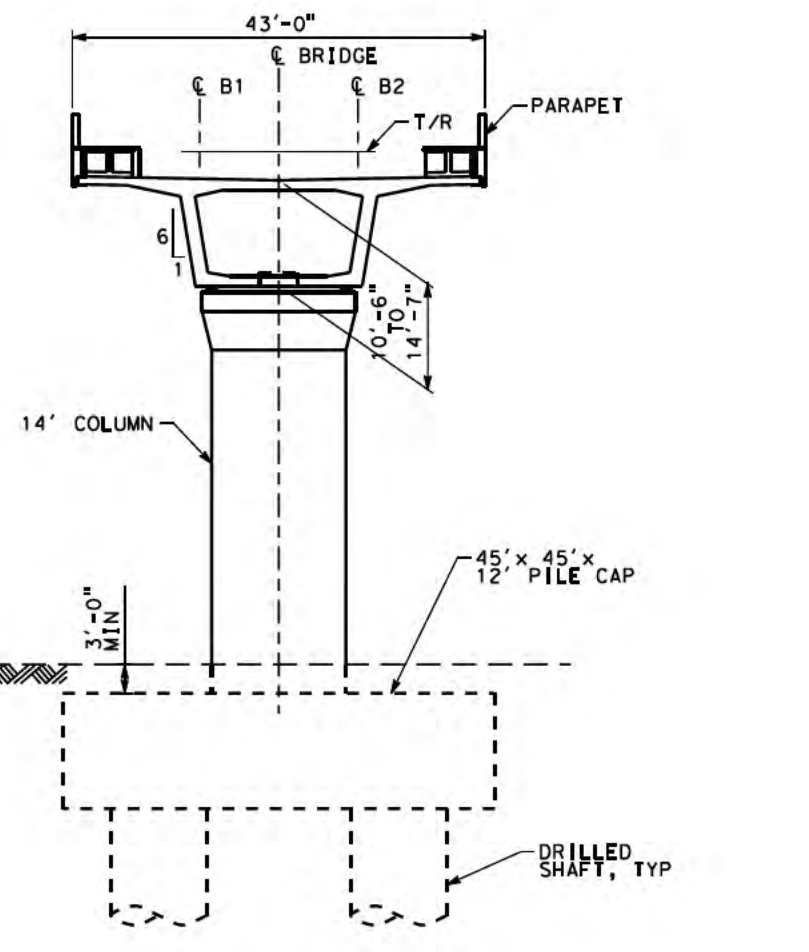
PLAN - SAN LUIS WASTEWAY
SCALE: 1"=200'



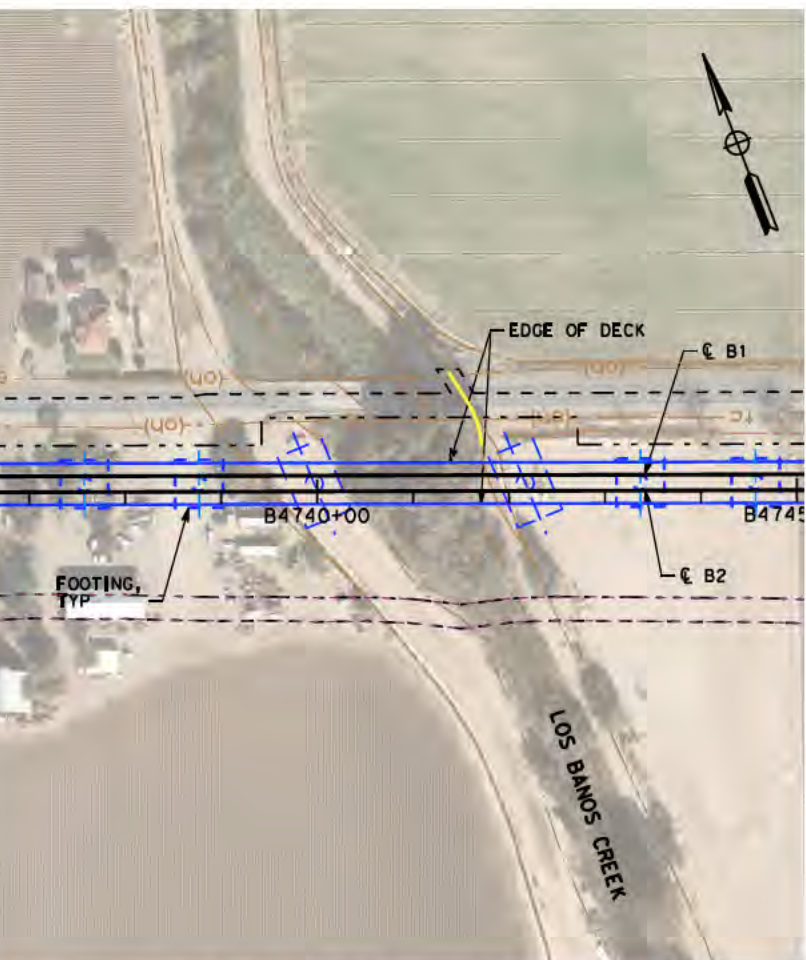
PROFILE - SAN LUIS WASTEWAY
SCALE: 1"=200' HOR, 1"=100' VERT



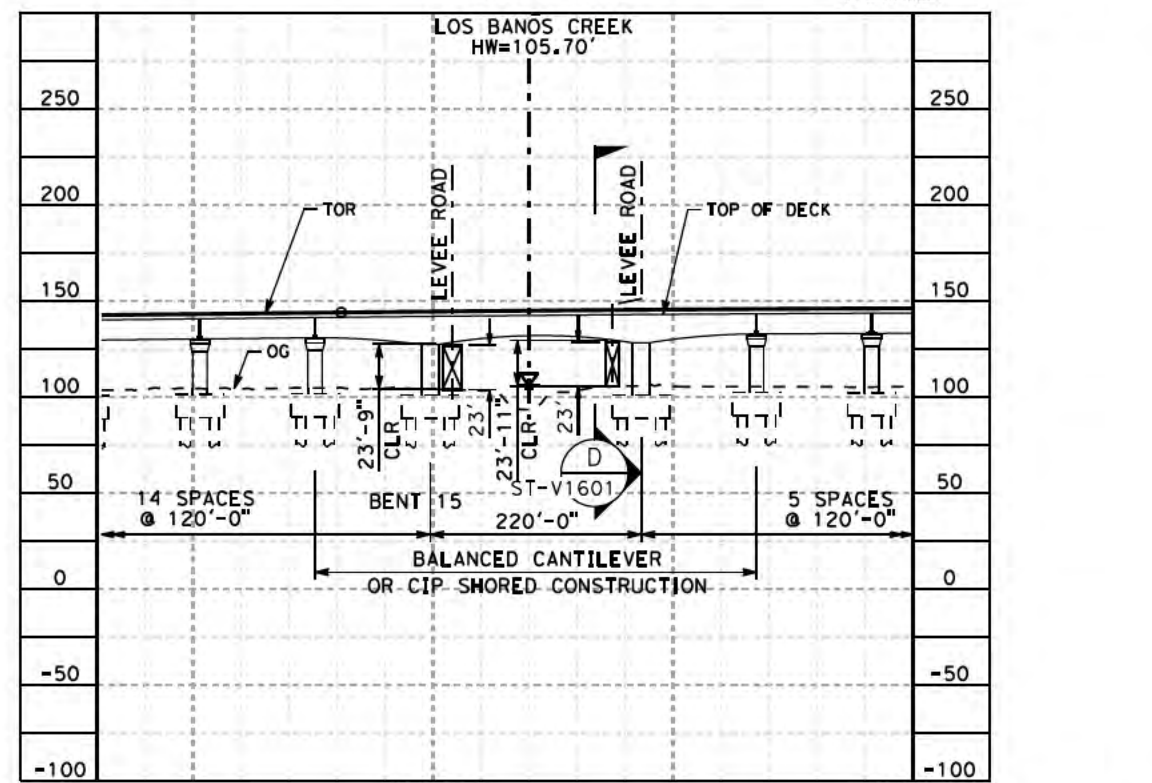
SECTION B-B
SCALE: 1"=20'-0"



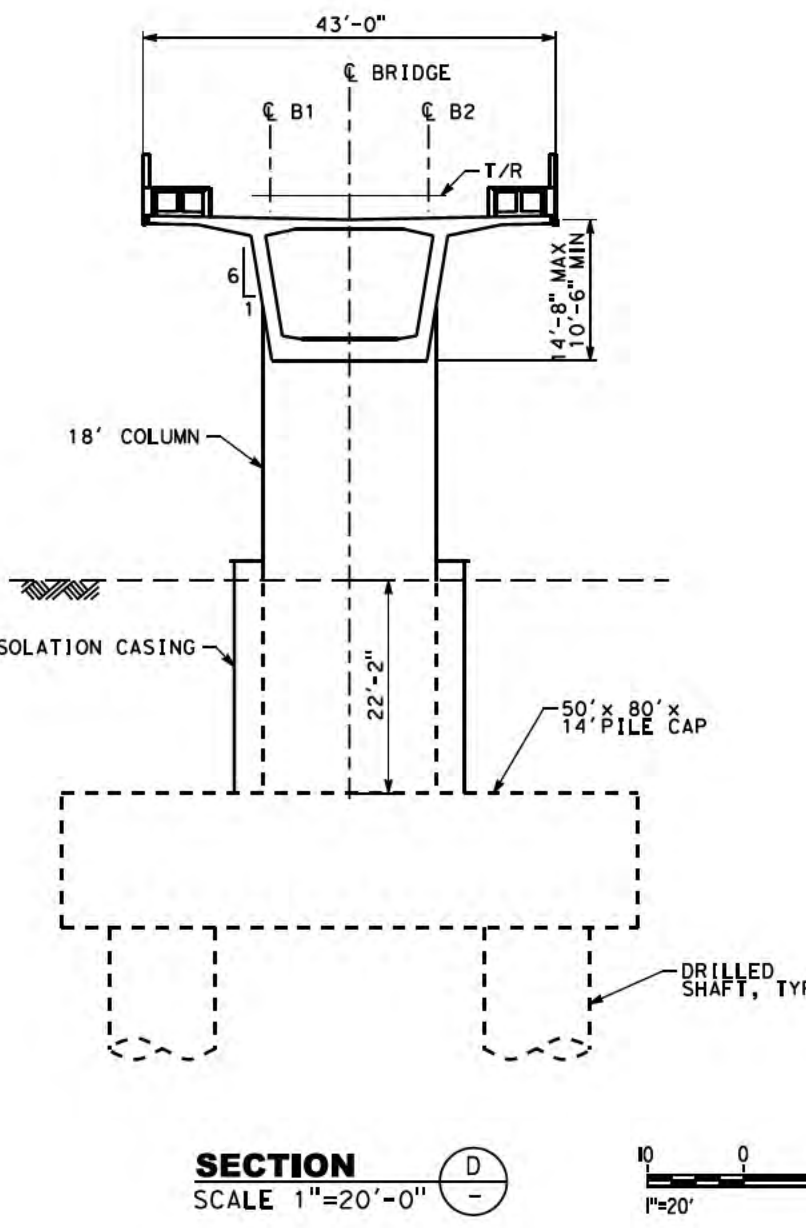
SECTION C-C
SCALE: 1"=20'-0"



PLAN - LOS BANOS CREEK
SCALE: 1"=200'



PROFILE - LOS BANOS CREEK
SCALE: 1"=200' HOR, 1"=100' VERT

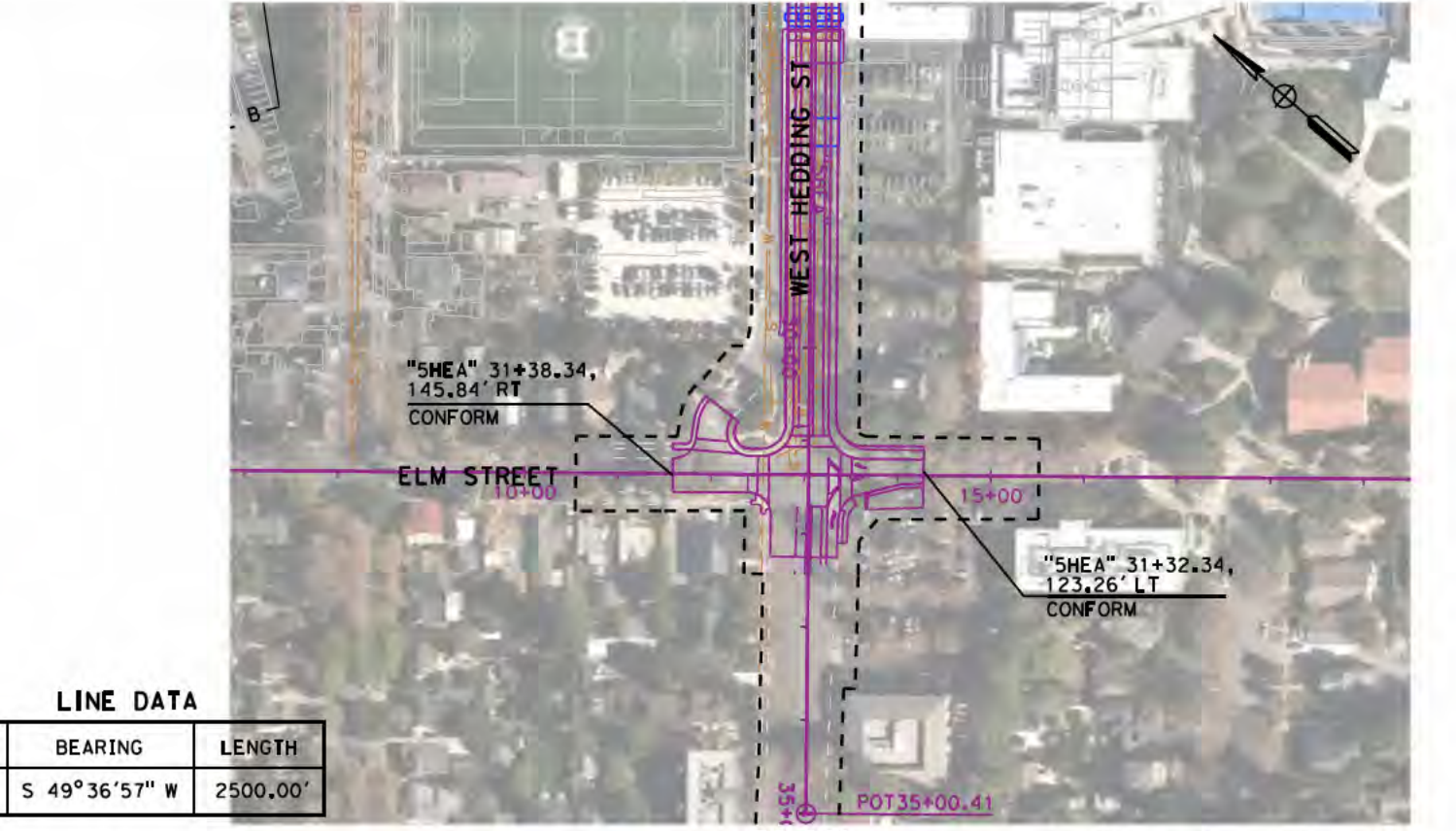
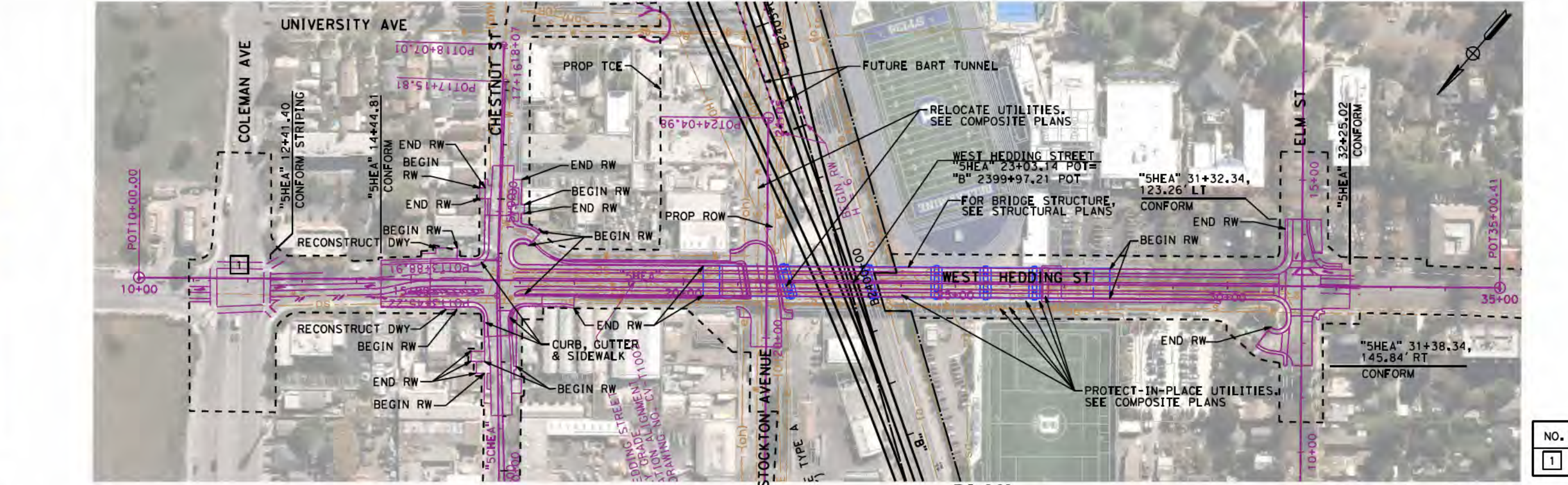
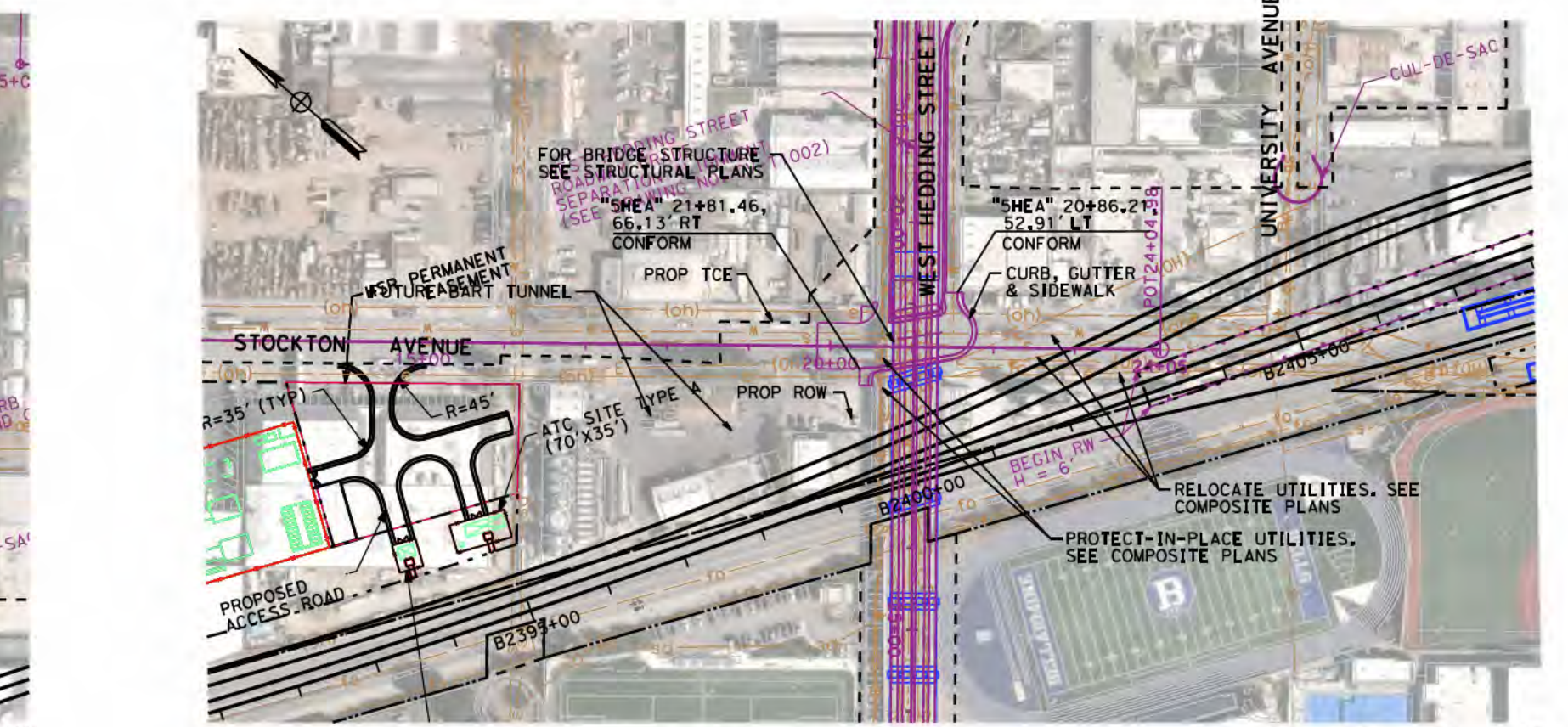
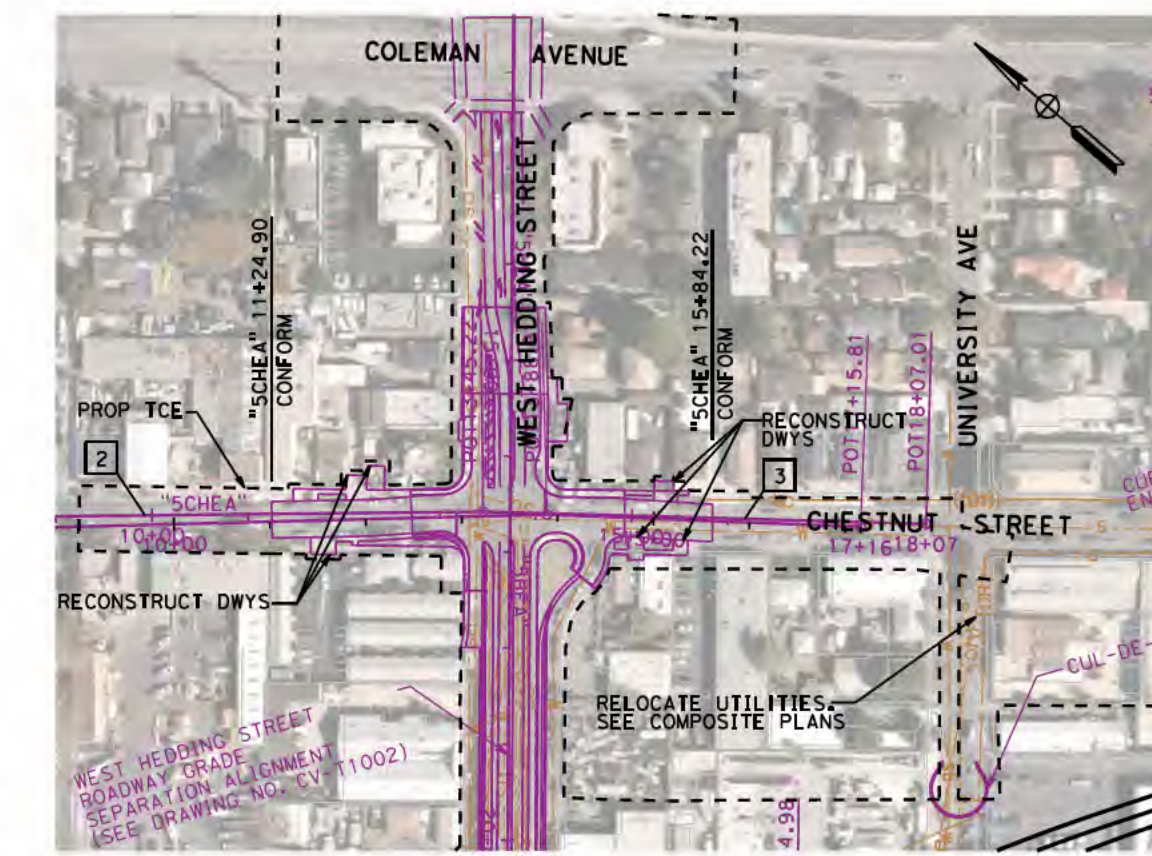


SECTION D-D
SCALE: 1"=20'-0"

NOTE:
REFER TO GENERAL NOTES SHEETS GE-B0001 AND GE-B0002 FOR NOTES.

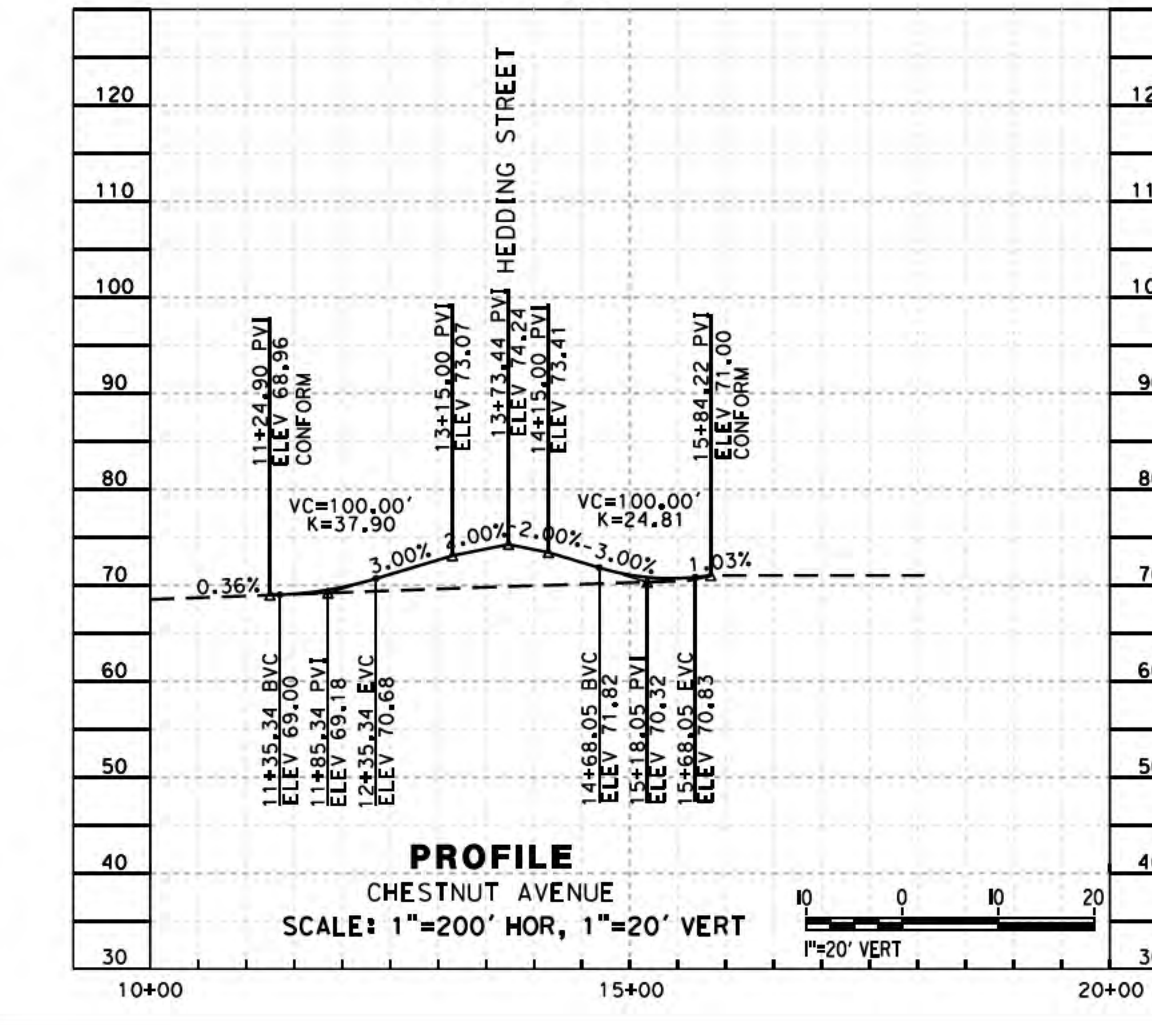
SAN JOSE TO CVY EIR/S: VOLUME III
ALTERNATIVE 3
BOOK 3C
SHEET 102 OF 237

2021 RECORD SET P&P NOVEMBER 30, 2021 NOT FOR CONSTRUCTION		1111 Broadway 9th Floor Oakland, CA 94607		CALIFORNIA HIGH-SPEED TRAIN PROJECT SAN JOSE TO MERCED		CONTRACT NO. HSR15-34
				SAN JOAQUIN VALLEY HENRY MILLER ROAD COMPLEX STRUCTURES GENERAL PLAN		DRAWING NO. ST-V1601 SCALE AS SHOWN SHEET NO.



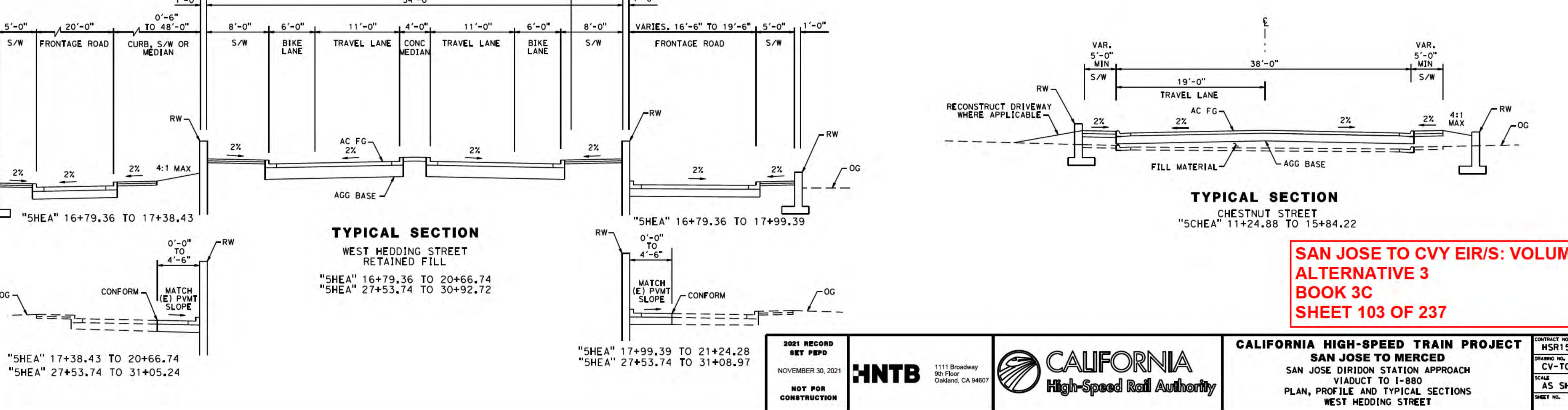
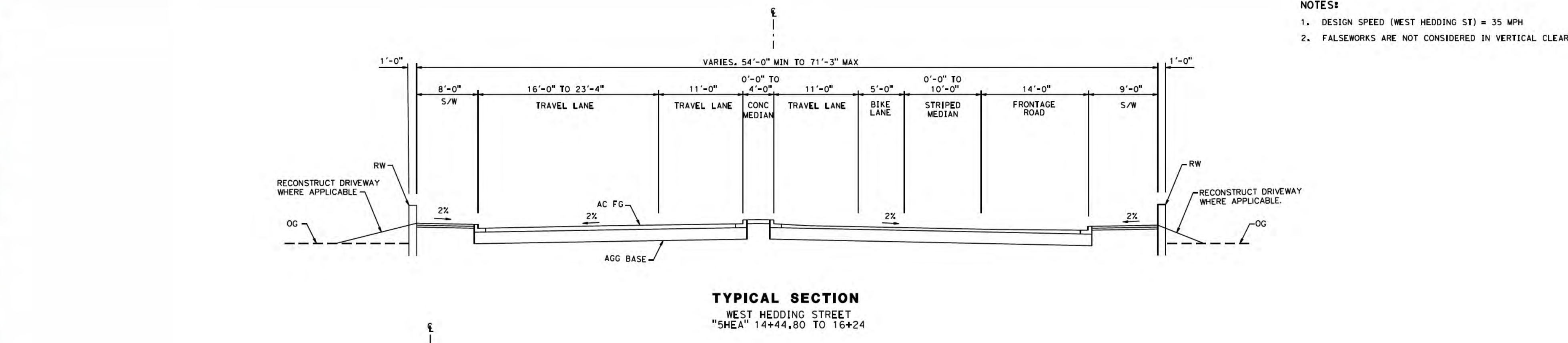
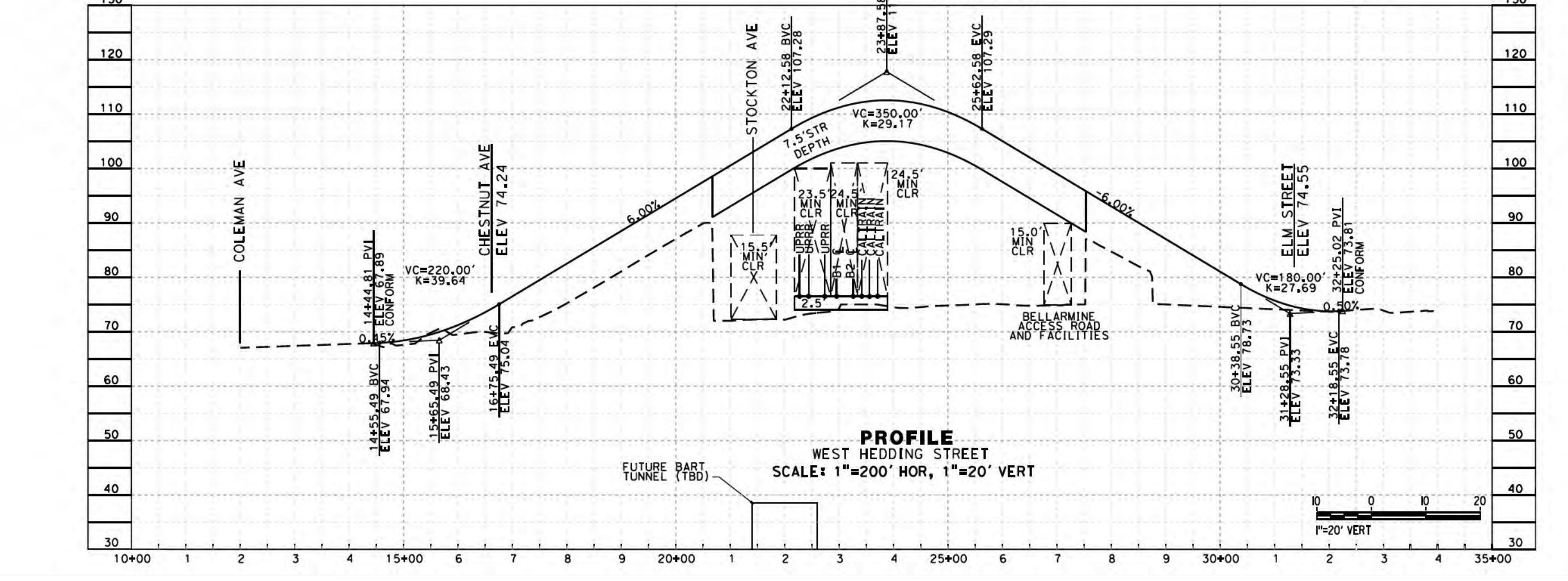
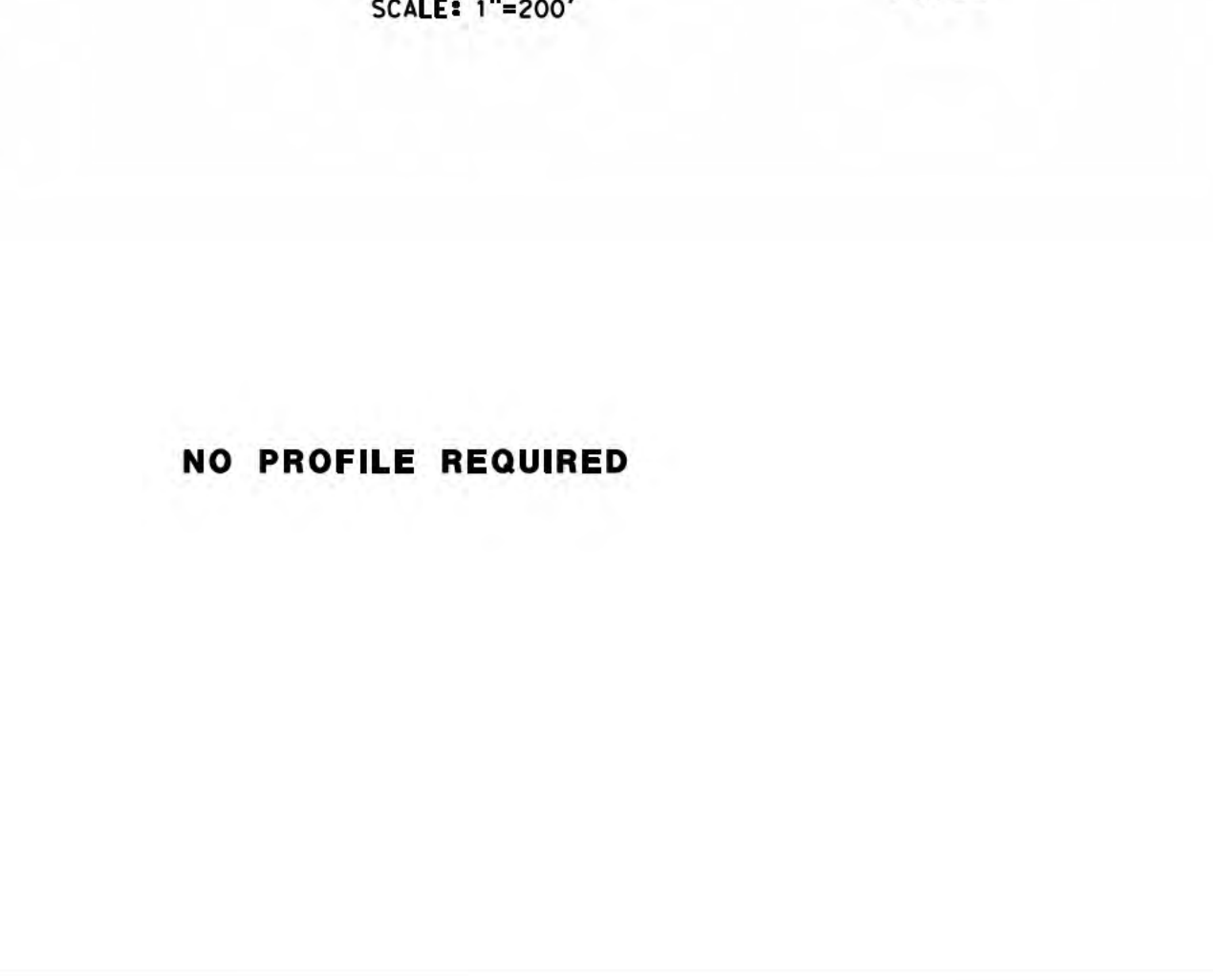
LINE DATA

NO.	BEARING	LENGTH
1	S 49°36'57" W	2500.00'



LINE DATA

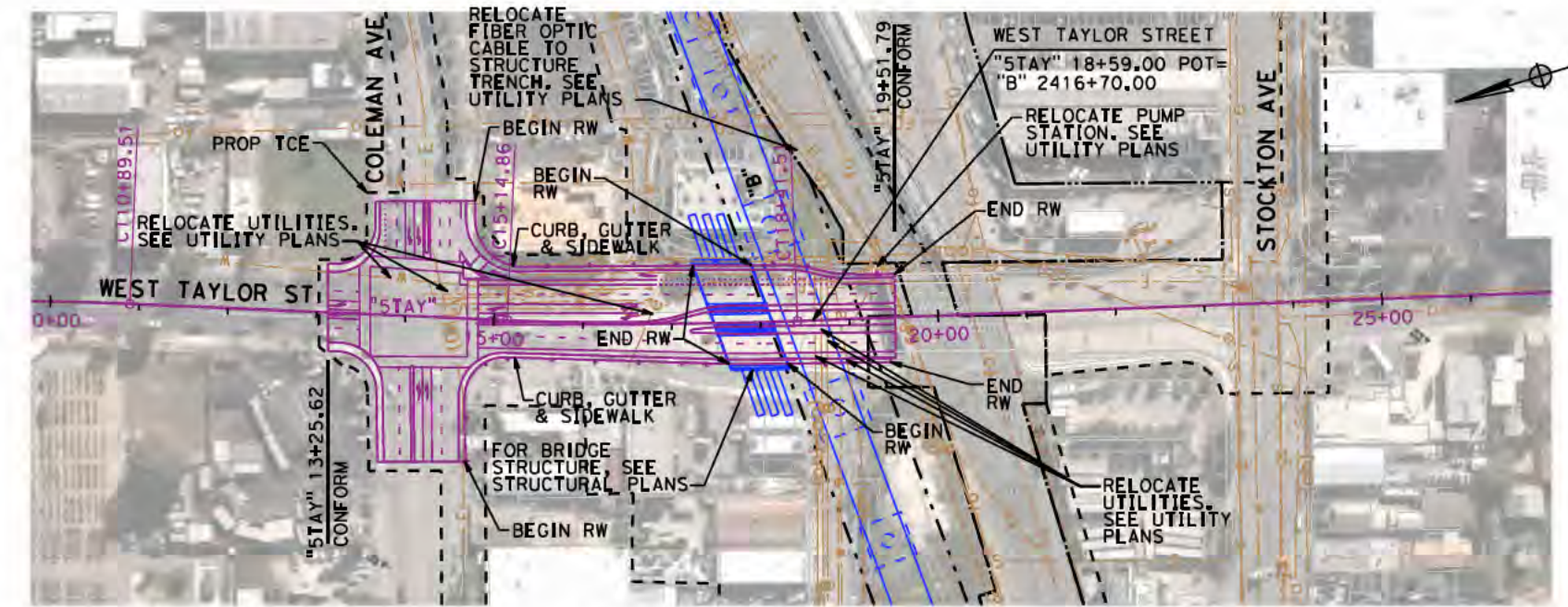
NO.	BEARING	LENGTH
2	S 41°26'58" E	595.22'
3	S 39°13'42" E	461.79'



- NOTES:
- DESIGN SPEED (WEST HEDDING ST) = 35 MPH
 - FALSEWORKS ARE NOT CONSIDERED IN VERTICAL CLEARANCES.

SAN JOSE TO CVY EIR/S: VOLUME III
ALTERNATIVE 3
BOOK 3C
SHEET 103 OF 237

HNTB 1111 Broadway 9th Floor Oakland, CA 94607	CALIFORNIA High-Speed Rail Authority	CALIFORNIA HIGH-SPEED TRAIN PROJECT SAN JOSE TO MERCED	CONTRACT NO. HSR15-34
		SAN JOSE DIRIDON STATION APPROACH VIADUCT TO I-880 PLAN, PROFILE AND TYPICAL SECTIONS WEST HEDDING STREET	DRAWING NO. CV-10151 SCALE AS SHOWN SHEET NO.

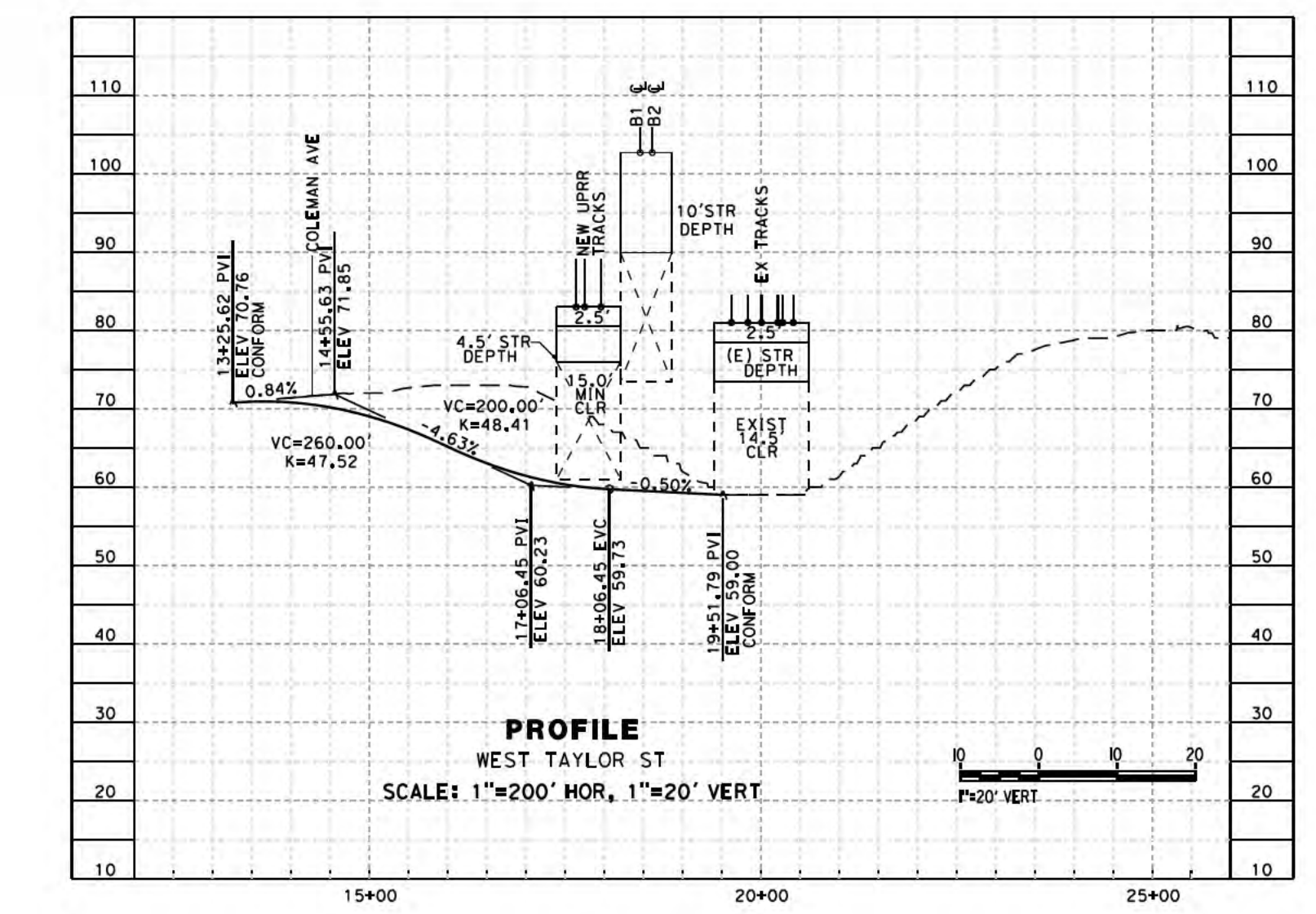
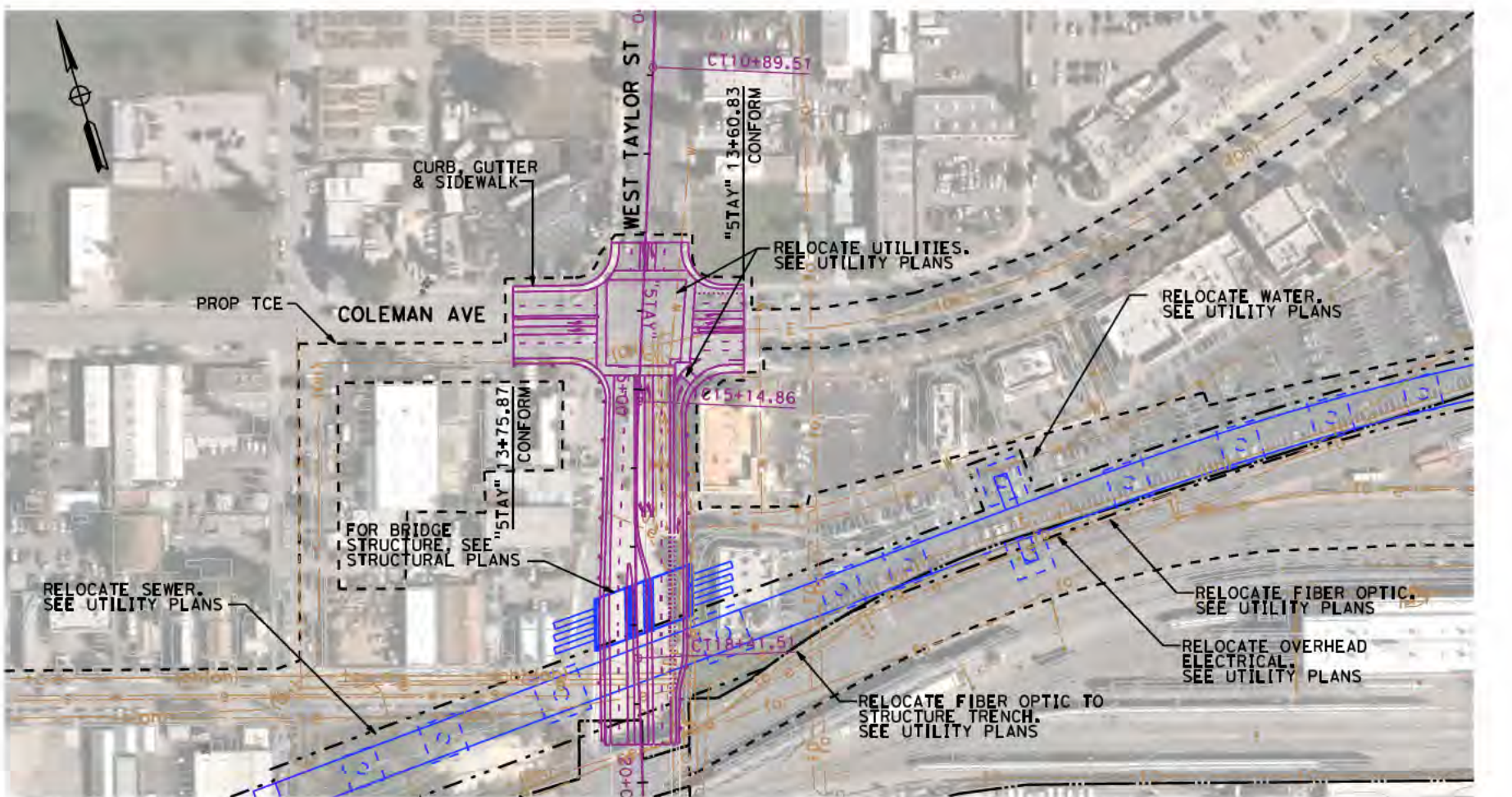


CURVE DATA

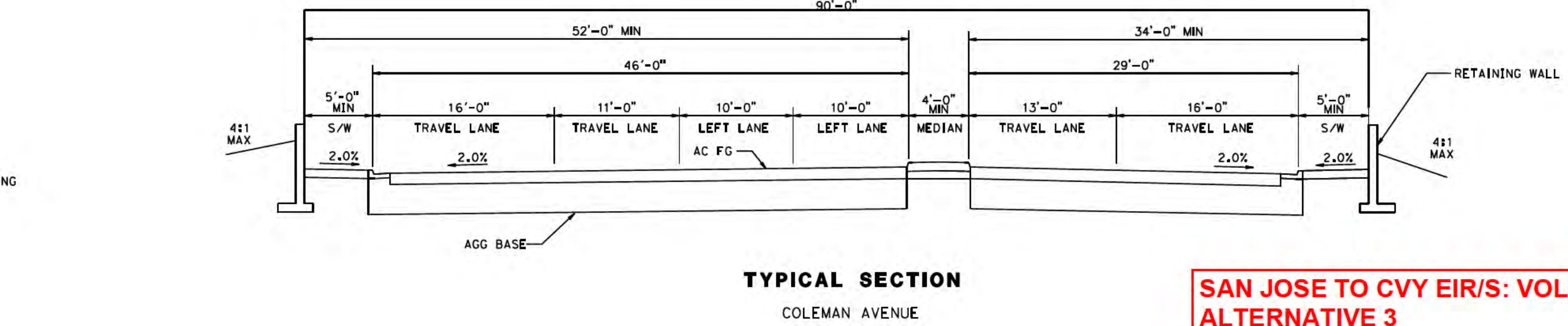
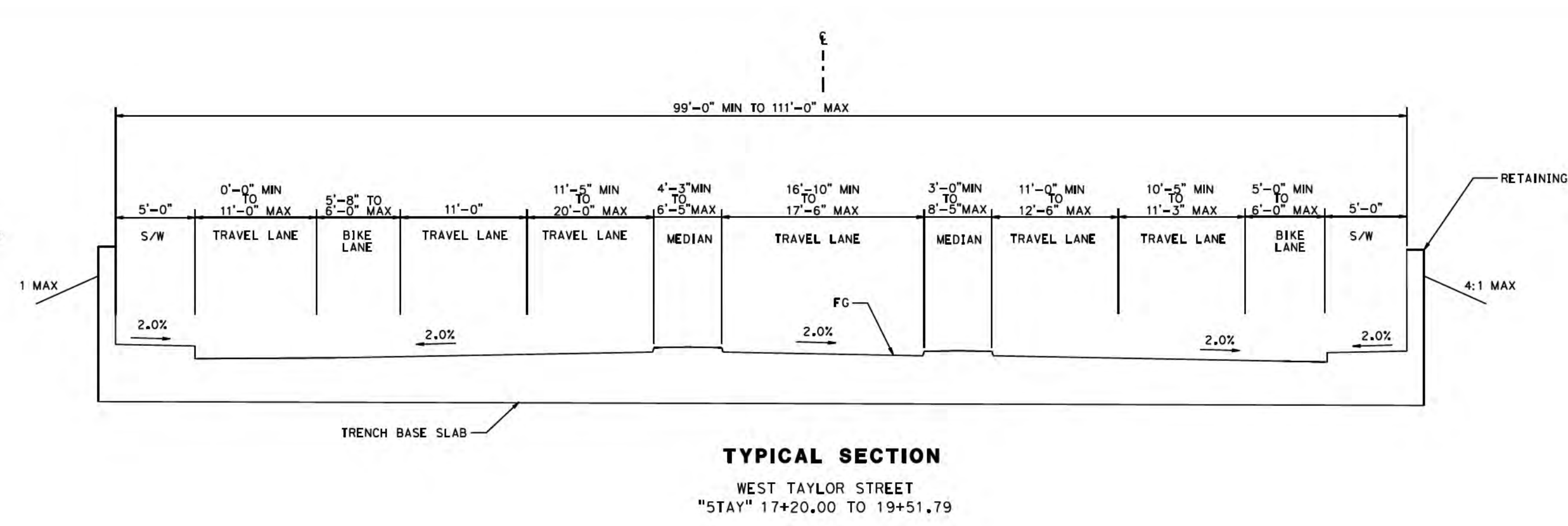
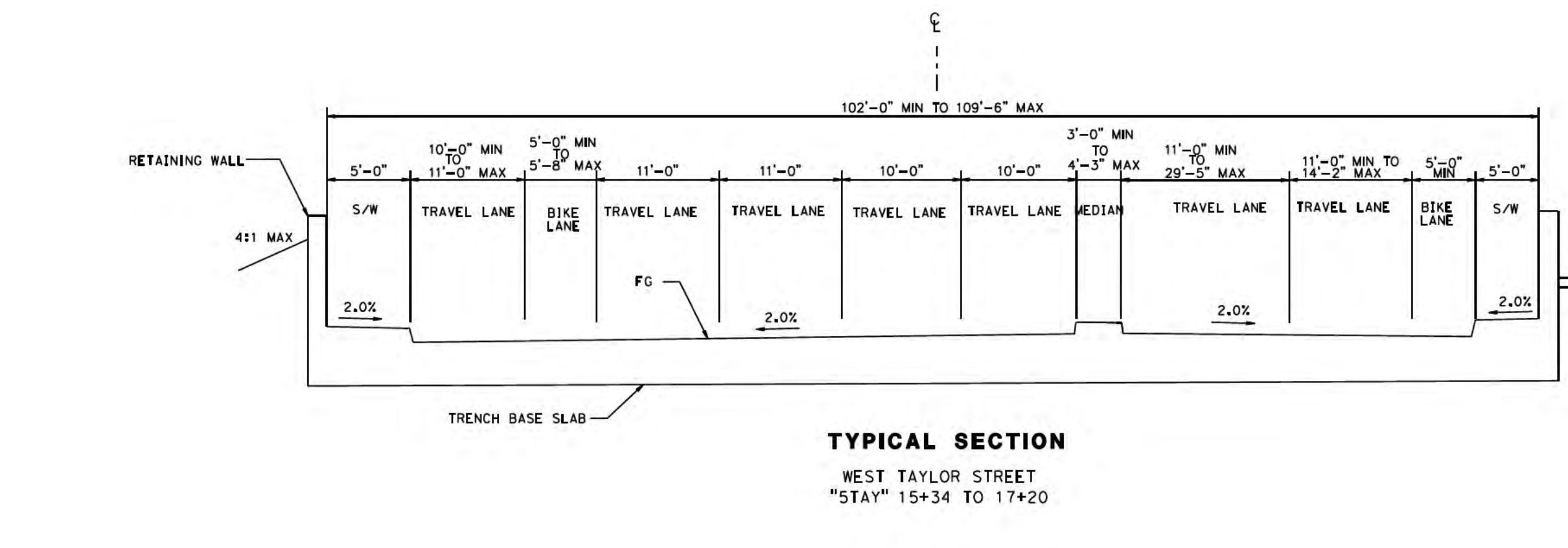
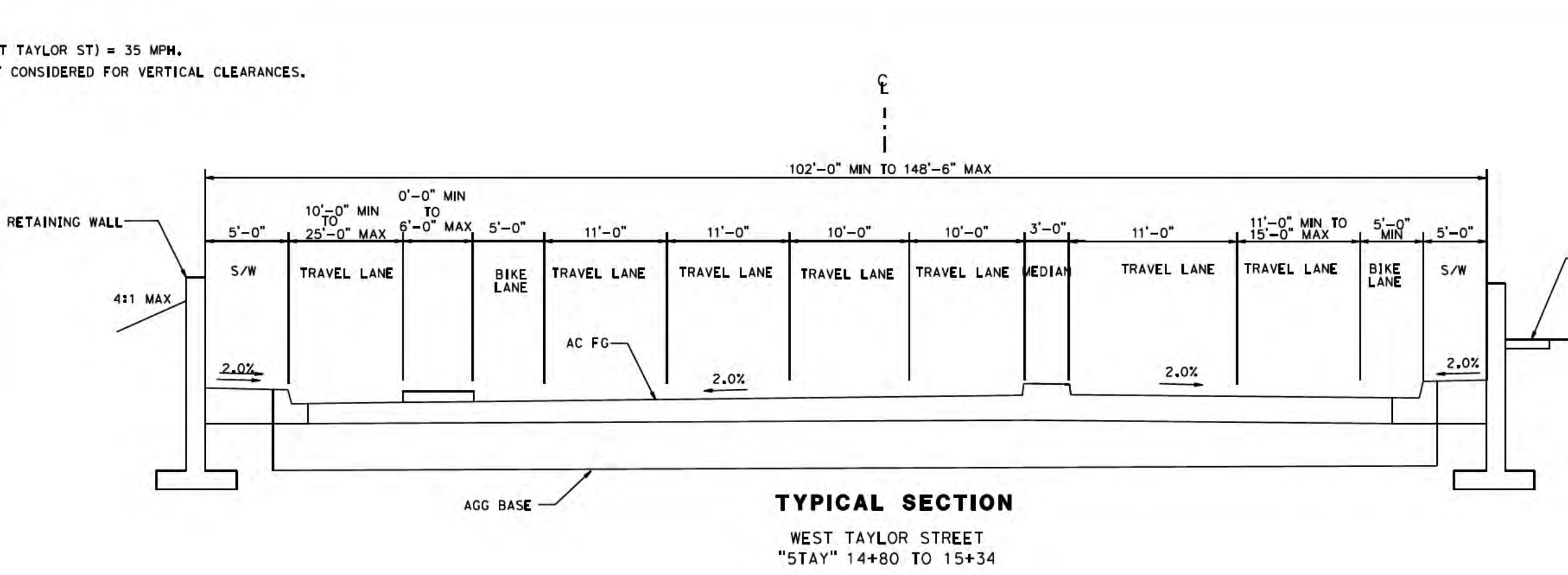
NO.	RADIUS	DELTA	TANGENT	LENGTH
①	3000.00'	4°07'59"	108.25'	216.41'
②	4000.00'	4°40'44"	163.42'	326.65'
③	3000.00'	1°22'41"	36.08'	72.16'

LINE DATA

NO.	BEARING	LENGTH
①	S 48°39'06" W	373.11'
②	S 52°47'05" W	425.35'
③	S 48°06'21" W	970.98'
④	S 49°29'03" W	615.19'

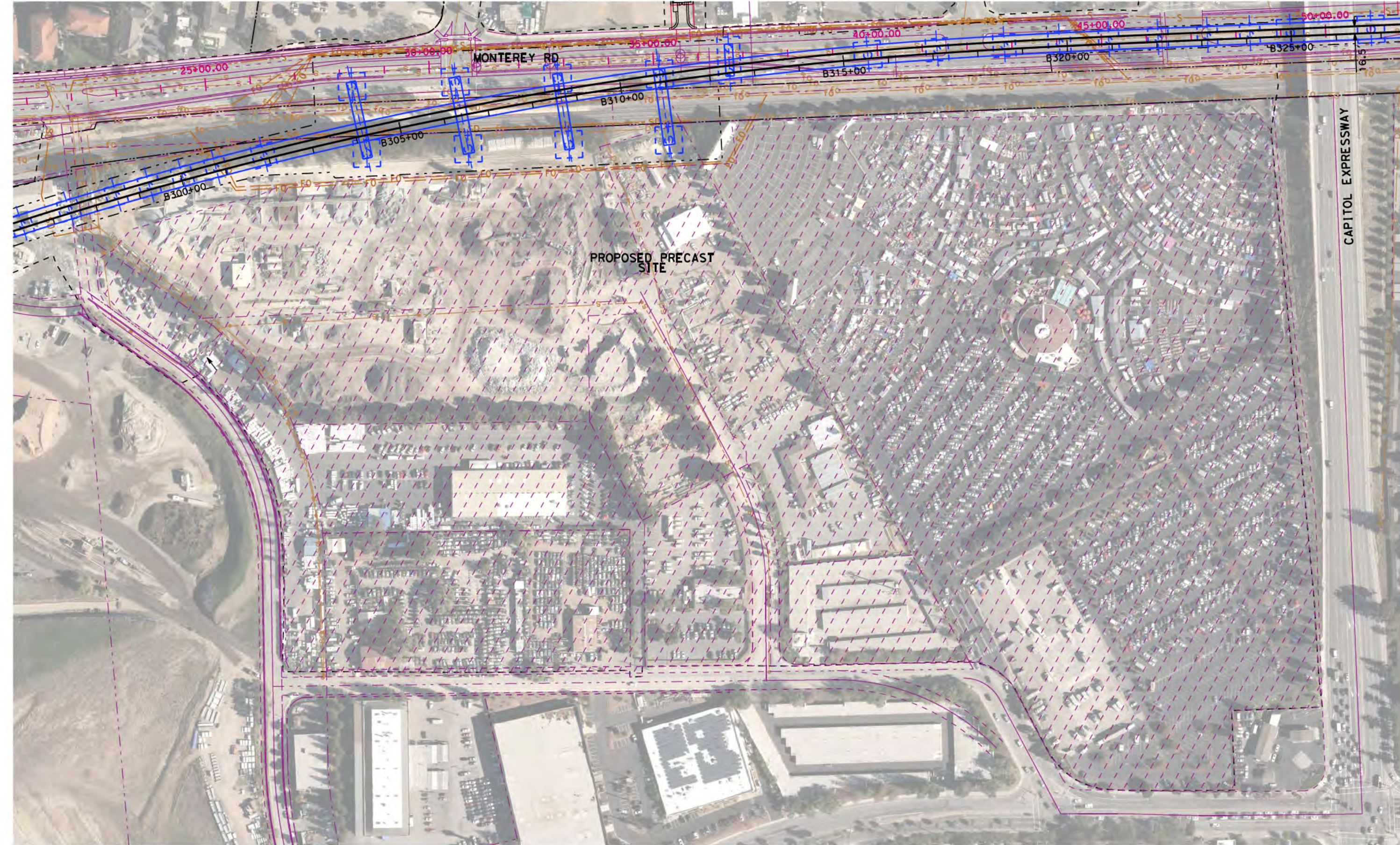


NO PROFILE REQUIRED

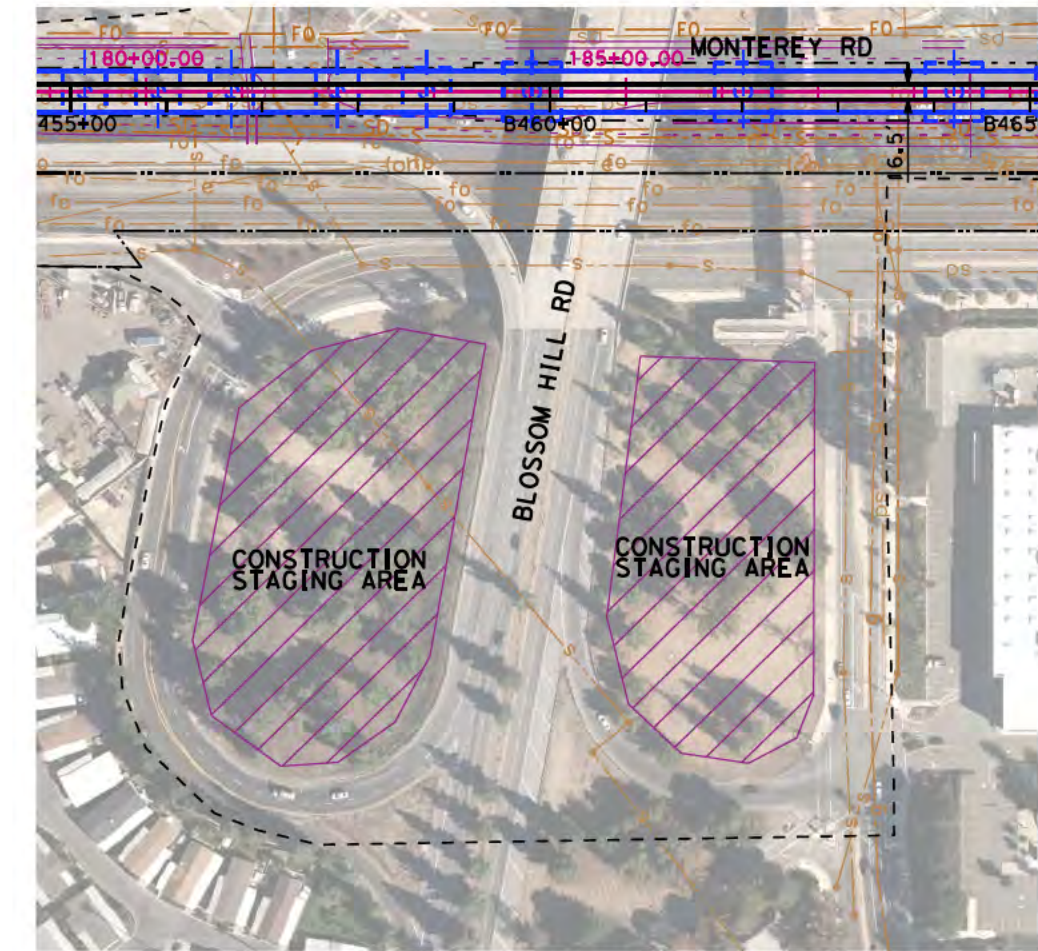
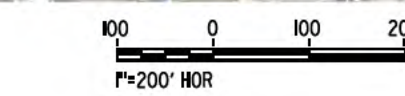


SAN JOSE TO CVY EIR/S: VOLUME III
ALTERNATIVE 3
BOOK 3C
SHEET 104 OF 237

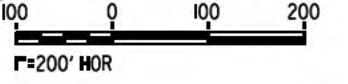
2021 RECORD SET PBD NOVEMBER 30, 2021 NOT FOR CONSTRUCTION	HNTB 1111 Broadway 9th Floor Oakland, CA 94607	CALIFORNIA High-Speed Rail Authority	CALIFORNIA HIGH-SPEED TRAIN PROJECT SAN JOSE TO MERCED SAN JOSE DIRIDON STATION APPROACH VIADUCT TO I-880 PLAN, PROFILE AND TYPICAL SECTIONS WEST TAYLOR STREET	CONTRACT NO. HSR15-34 DRAWING NO. CV-T0152 SCALE AS SHOWN SHEET NO.
--	--	--	--	--



**PROPOSED CONSTRUCTION STAGING AREA
AT STA B297+59 TO STA B325+08**
SCALE: 1"=200'



**PROPOSED CONSTRUCTION STAGING AREAS
STA B456+27 TO STA B433+00,
STA B460+59 TO STA B462+76**
SCALE: 1"=200'

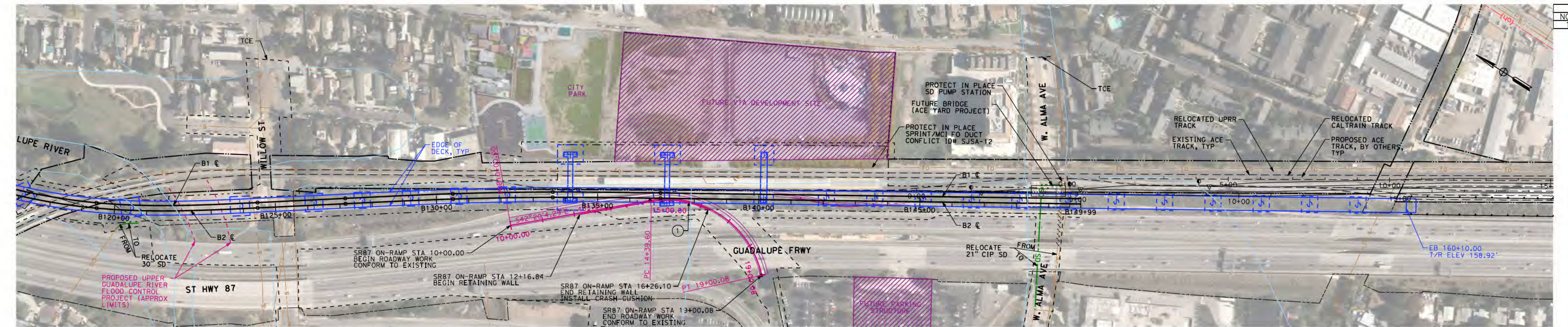


NOTES:
1. REFER TO GENERAL NOTES SHEETS GE-B0001 AND GE-B0002 FOR NOTES.

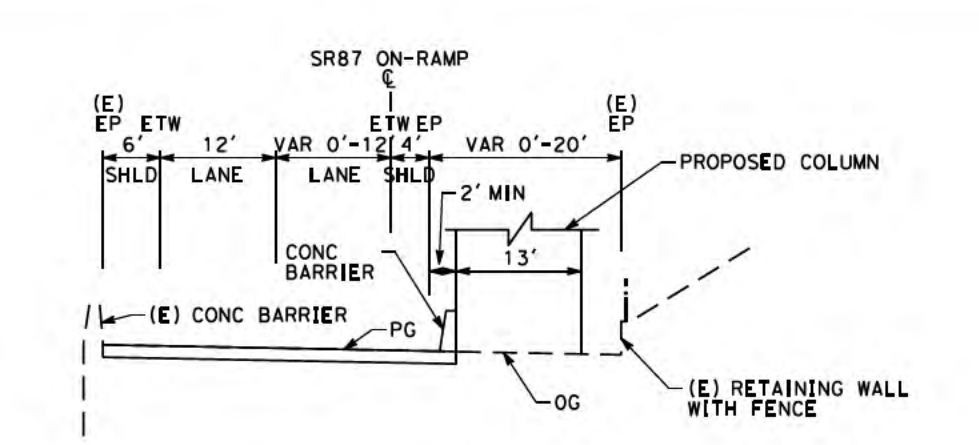
**SAN JOSE TO CVY EIR/S: VOLUME III
ALTERNATIVE 3
BOOK 3C
SHEET 105 OF 237**

2021 RECORD SET PBD NOVEMBER 30, 2021 NOT FOR CONSTRUCTION	HNTB 1111 Broadway 9th Floor Oakland, CA 94607		CALIFORNIA HIGH-SPEED TRAIN PROJECT SAN JOSE TO MERCED MONTEREY CORRIDOR VIADUCT CIVIL DETAILS	CONTRACT NO. HSR15-34 DRAWING NO. CV-S0601 SCALE AS SHOWN SHEET NO.
--	--	--	---	--

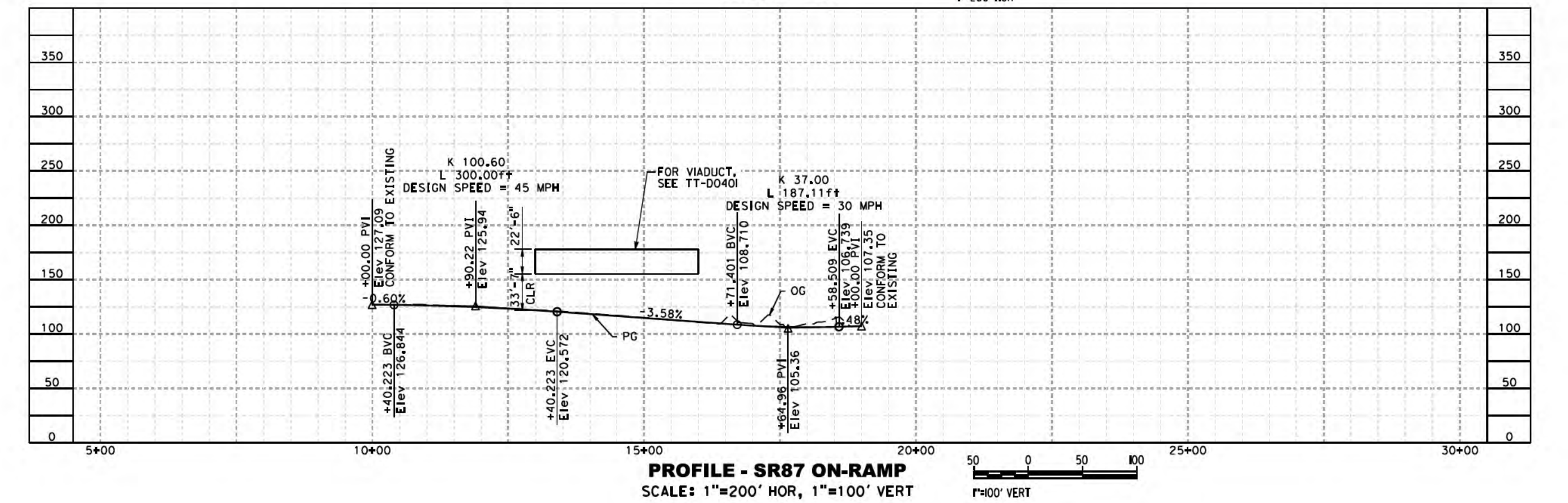
10/27/2021 11:51:50 AM C:\Users\jwheeler\OneDrive\Documents\15861\15861.dwg 15861.dwg
 10/27/2021 11:51:50 AM C:\Users\jwheeler\OneDrive\Documents\15861\15861.dwg 15861.dwg



CURVE DATA SR87 ON-RAMP				
NO.	R	Δ	L	Δ
1	300	87°56'43.36"	460.481	289.430

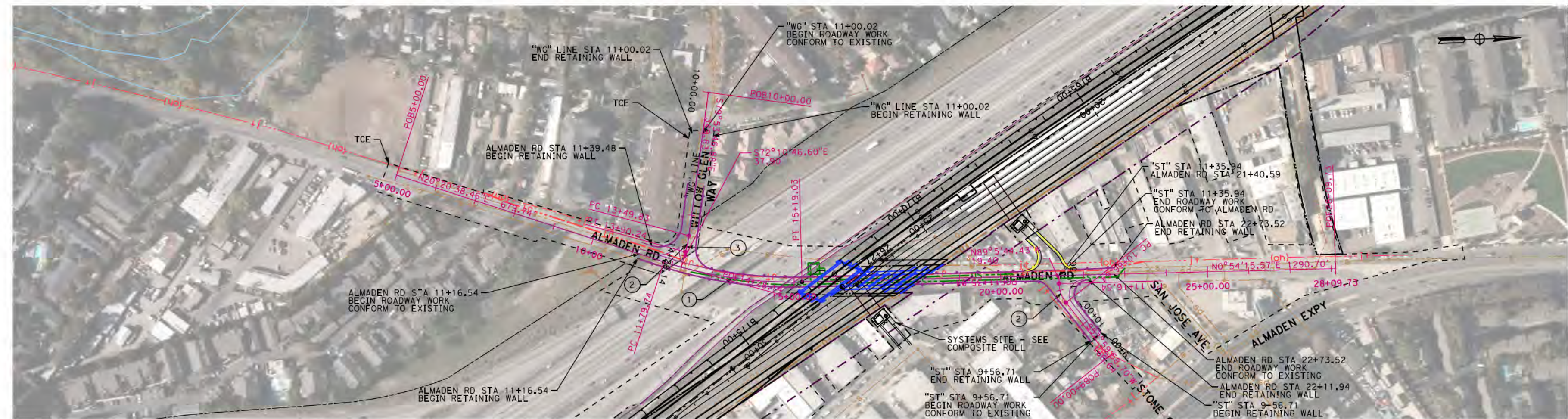


NOTE:
1. REFER TO GENERAL NOTES SHEETS GE-B0001 AND GE-B0002 FOR NOTES.



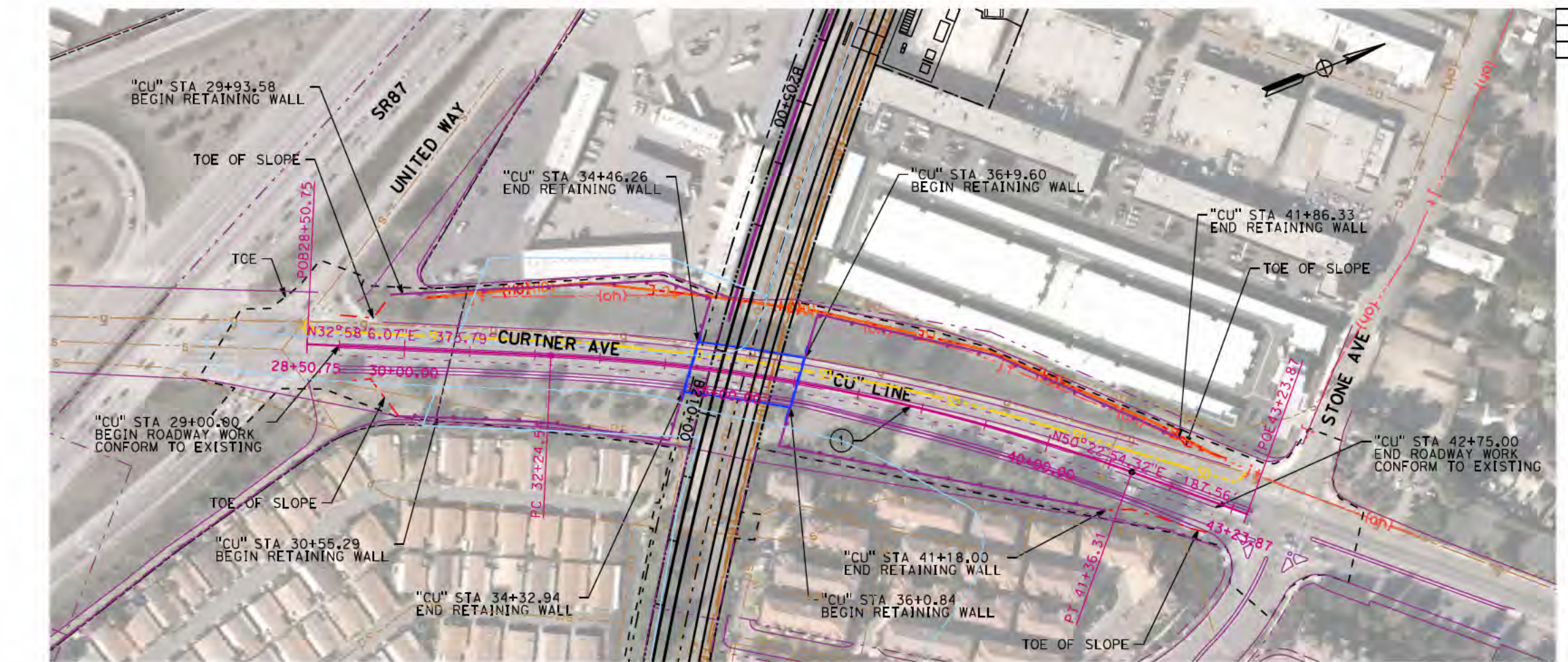
SAN JOSE TO CVY EIR/S: VOLUME III
ALTERNATIVE 3
BOOK 3C
SHEET 106 OF 237

2021 RECORD SET PBD NOVEMBER 30, 2021 NOT FOR CONSTRUCTION	HNTB 1111 Broadway 9th Floor Oakland, CA 94607	CALIFORNIA High-Speed Rail Authority	CALIFORNIA HIGH-SPEED TRAIN PROJECT SAN JOSE TO MERCED MONTEREY CORRIDOR VIADUCT/AT-GRADE GRADE SEPARATION LAYOUT, PROFILE, & CROSS SECTIONS SR87 ON-RAMP	CONTRACT NO. HSR15-34 DRAWING NO. CV-T0401 SCALE AS SHOWN SHEET NO.
--	--	--	--	---



PLAN - ALMADEN RD
SCALE: 1"=100'

CURVE DATA ALMADEN RD, "ST", AND "WG" LINE				
NO.	R	Δ	T	L
1	1000	19°26'22.88"	339.287	171.290
2	77.47	36°54'16.87"	49.90	25.849
3	300	7°43'0.28"	40.405	20.233

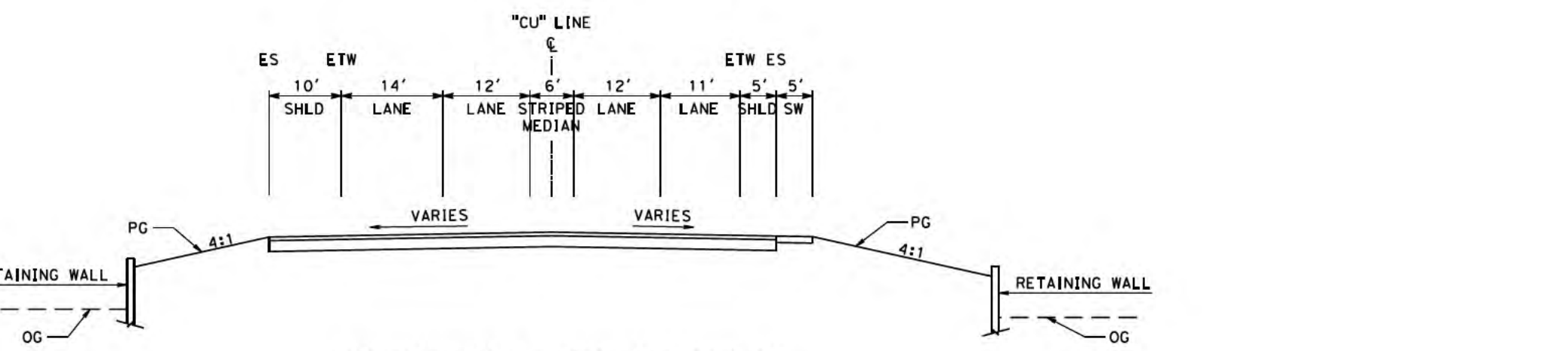


PLAN - CURTNER AVE
SCALE: 1"=100'

CURVE DATA "CU" LINE			
NO.	R	Δ	L
1	3000	17°24'48.25"	911.764
2			459.424

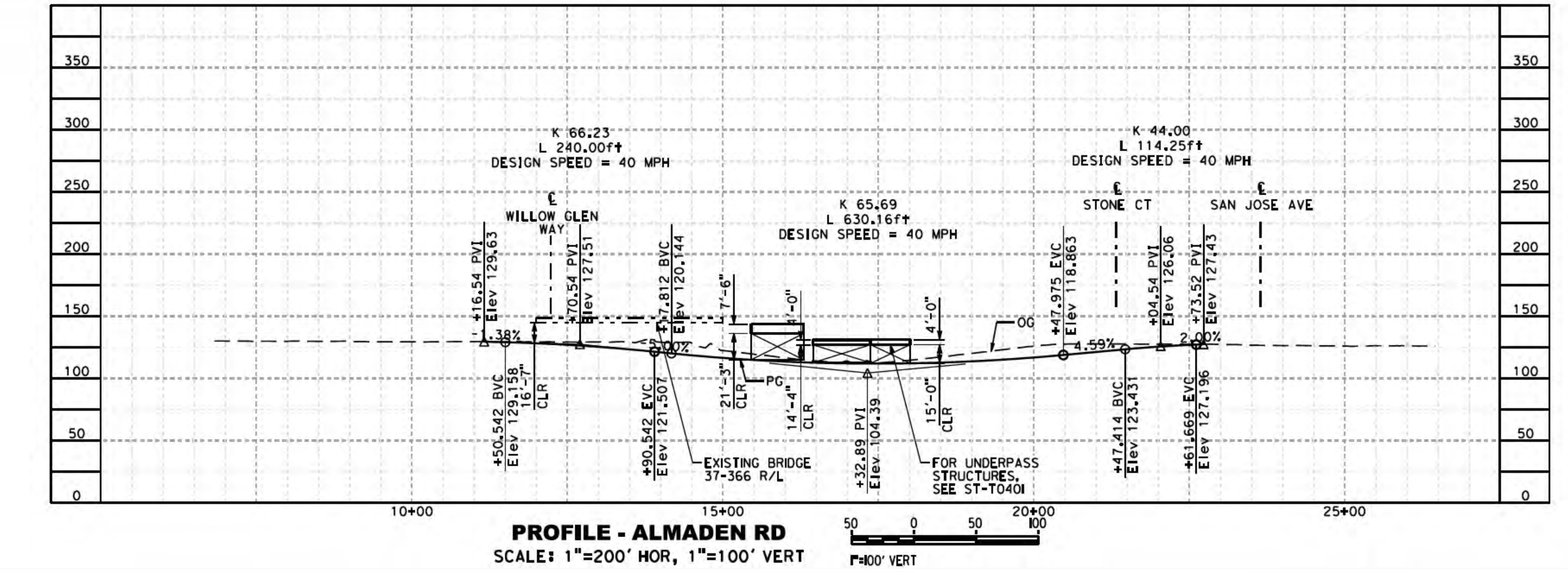


ALMADEN RD TYPICAL SECTION
SCALE: 1"=20'
ALMADEN RD STA 7+67.67 TO ALMADEN RD STA 22+47.36

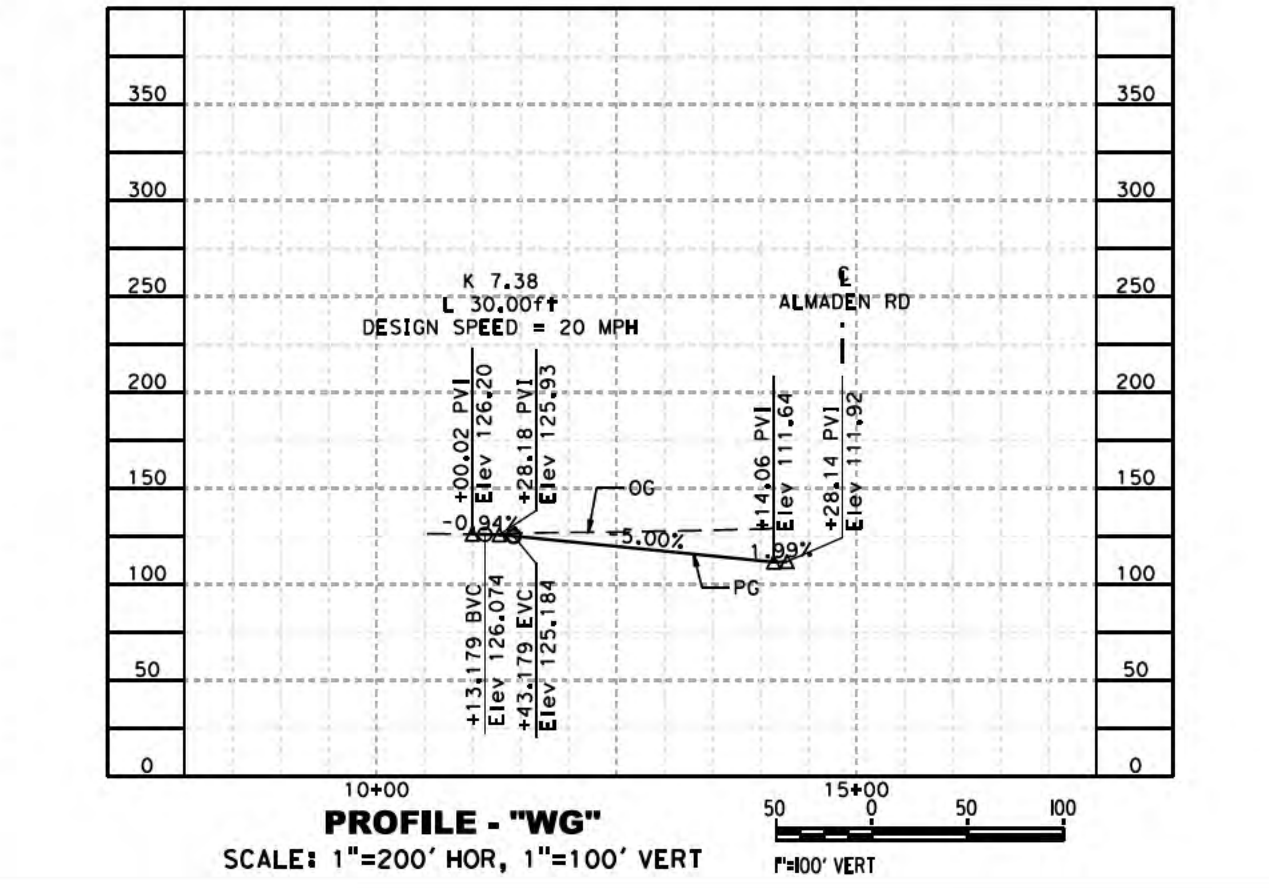


CURTNER AVE TYPICAL SECTION
SCALE: 1"=20'
CURTNER AVE STA 29+00.00 TO CURTNER AVE STA 42+75.00

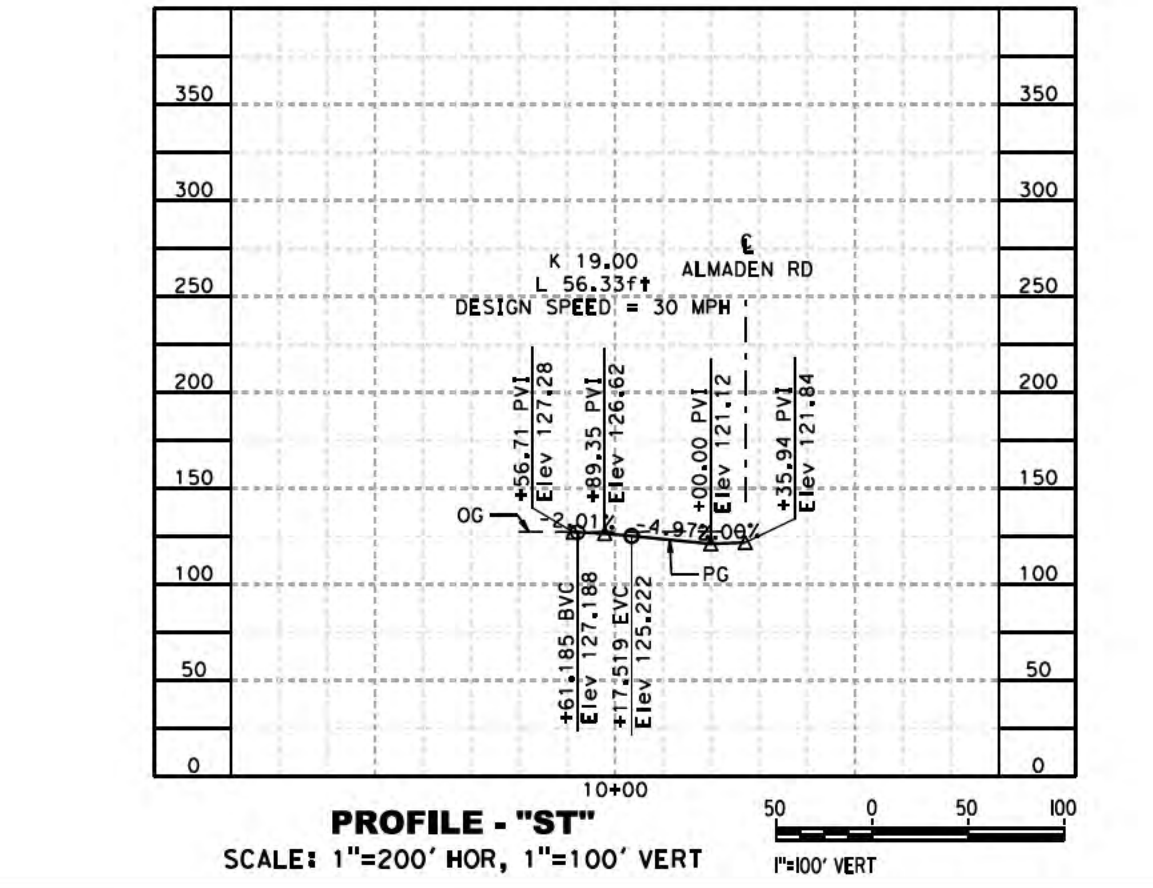
NOTE:
1. REFER TO GENERAL NOTES SHEETS GE-B0001 AND GE-B0002 FOR NOTES.



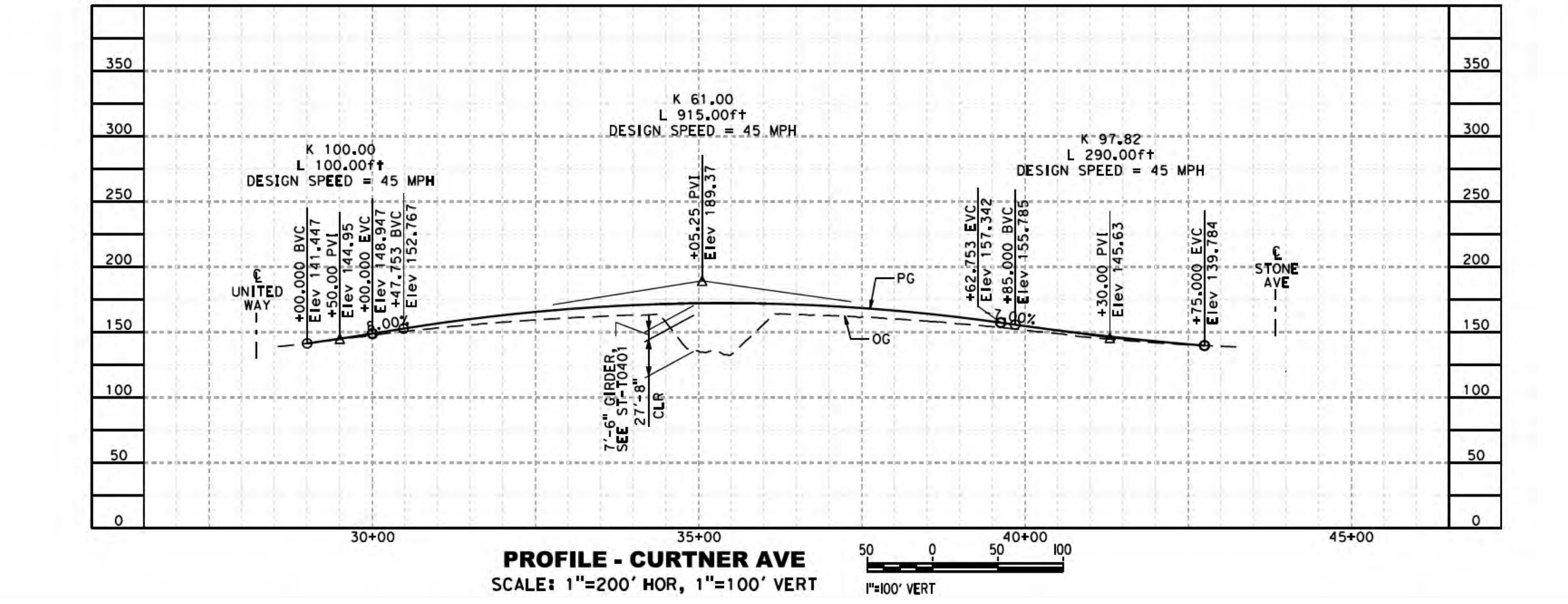
PROFILE - ALMADEN RD
SCALE: 1"=200' HOR, 1"=100' VERT



PROFILE - "WG"
SCALE: 1"=200' HOR, 1"=100' VERT



PROFILE - "ST"
SCALE: 1"=200' HOR, 1"=100' VERT



PROFILE - CURTNER AVE
SCALE: 1"=200' HOR, 1"=100' VERT

SAN JOSE TO CVY EIR/S: VOLUME III
ALTERNATIVE 3
BOOK 3C
SHEET 107 OF 237

2021 RECORD SET PBD NOVEMBER 30, 2021 NOT FOR CONSTRUCTION	HNTB 1111 Broadway 9th Floor Oakland, CA 94607	CALIFORNIA High-Speed Rail Authority	CALIFORNIA HIGH-SPEED TRAIN PROJECT SAN JOSE TO MERCED MONTEREY CORRIDOR VIADUCT/AT-GRADE LAYOUT, PROFILE, & CROSS SECTIONS ALMADEN ROAD AND CURTNER AVENUE	CONTRACT NO. HSR15-34 DRAWING NO. CV-T0402 SCALE AS SHOWN SHEET NO.
--	--	--	--	---

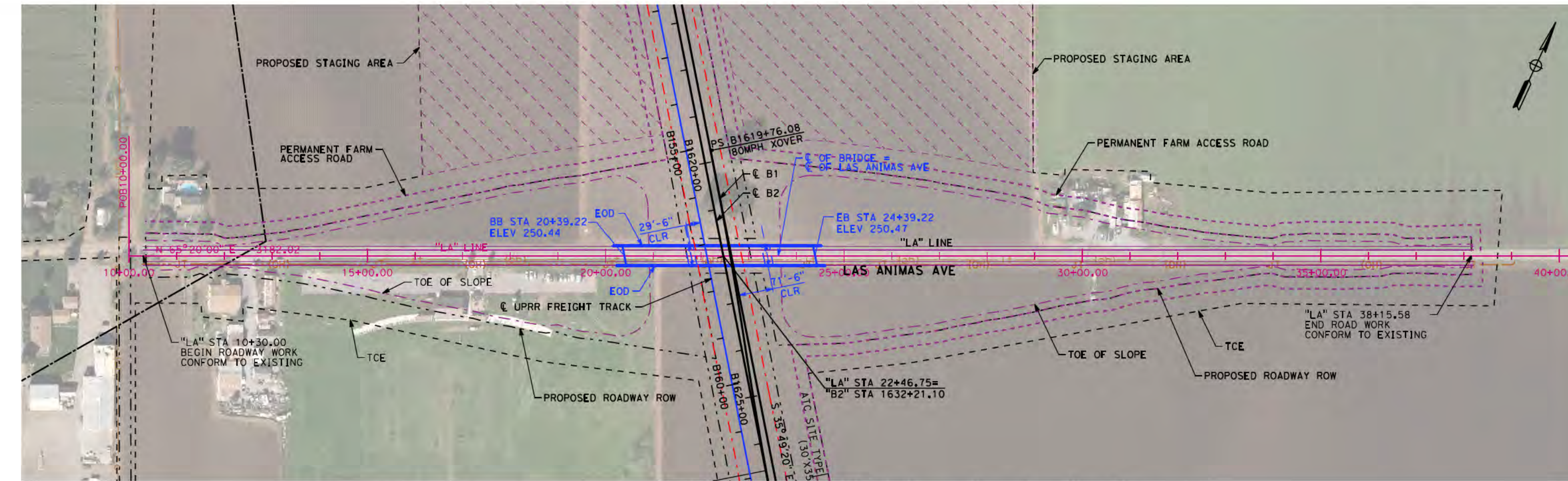


PLAN - PROPOSED PRECAST SITES AT COHANSEY AVE
 SCALE: 1"=200'

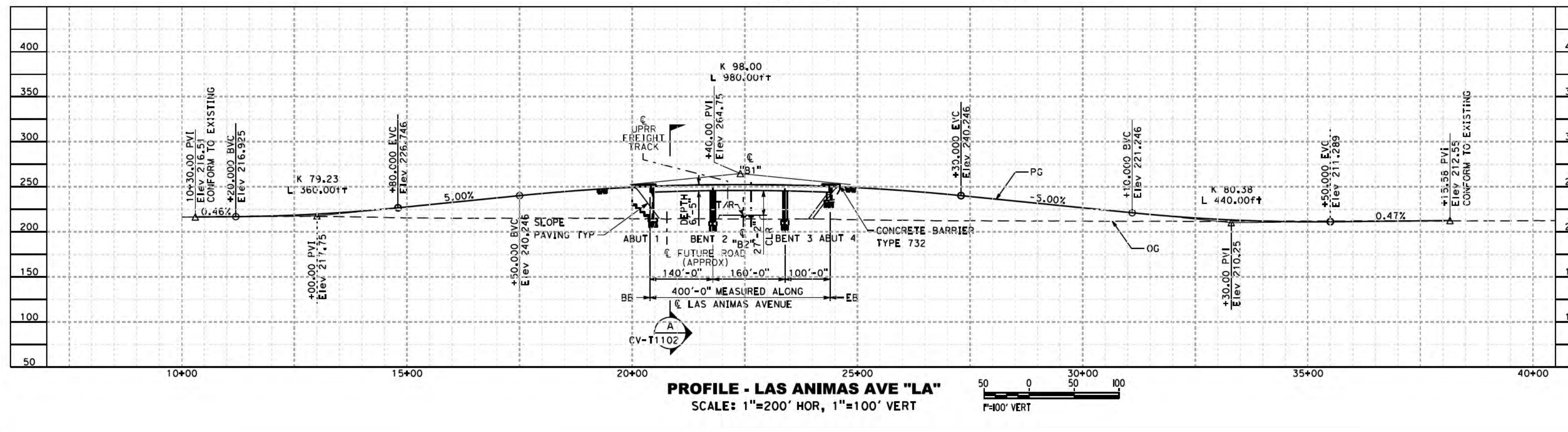
NOTE:
 1. REFER TO GENERAL NOTES SHEETS GE-B0001 AND GE-B0002 FOR NOTES.

SAN JOSE TO CVY EIR/S: VOLUME III
ALTERNATIVE 3
BOOK 3C
SHEET 108 OF 237

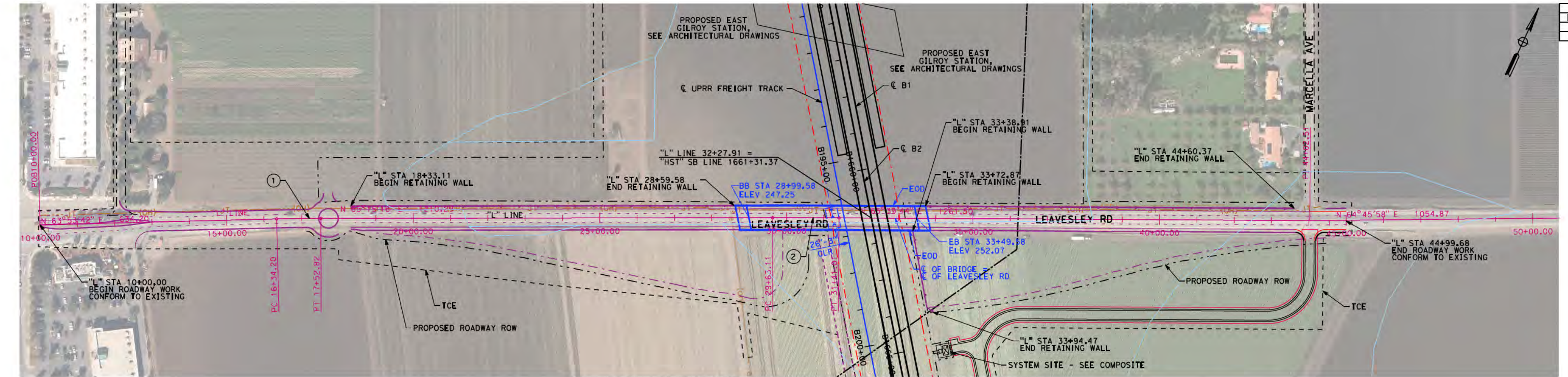
2021 RECORD SET PBD NOVEMBER 30, 2021 NOT FOR CONSTRUCTION	HNTB 1111 Broadway 9th Floor Oakland, CA 94607		CALIFORNIA HIGH-SPEED TRAIN PROJECT SAN JOSE TO MERCED MORGAN HILL AND GILROY VIADUCT TO EAST GILROY CIVIL DETAILS	CONTRACT NO. HSR15-34 DRAWING NO. CV-51101 SCALE AS SHOWN SHEET NO.
--	--	--	--	--



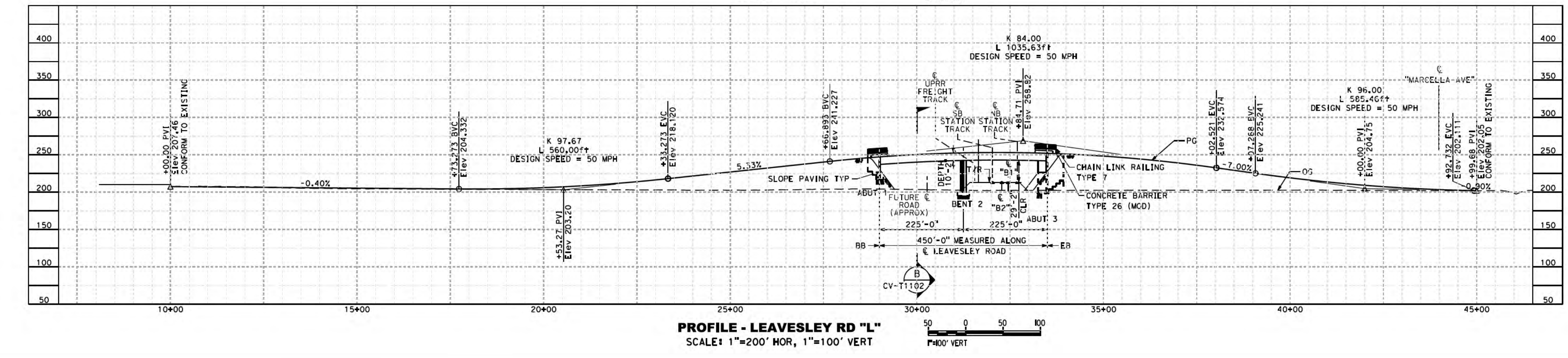
PLAN - LAS ANIMAS AVE "LA"
SCALE: 1"=200'



PROFILE - LAS ANIMAS AVE "LA"
SCALE: 1"=200' HOR, 1"=100' VERT

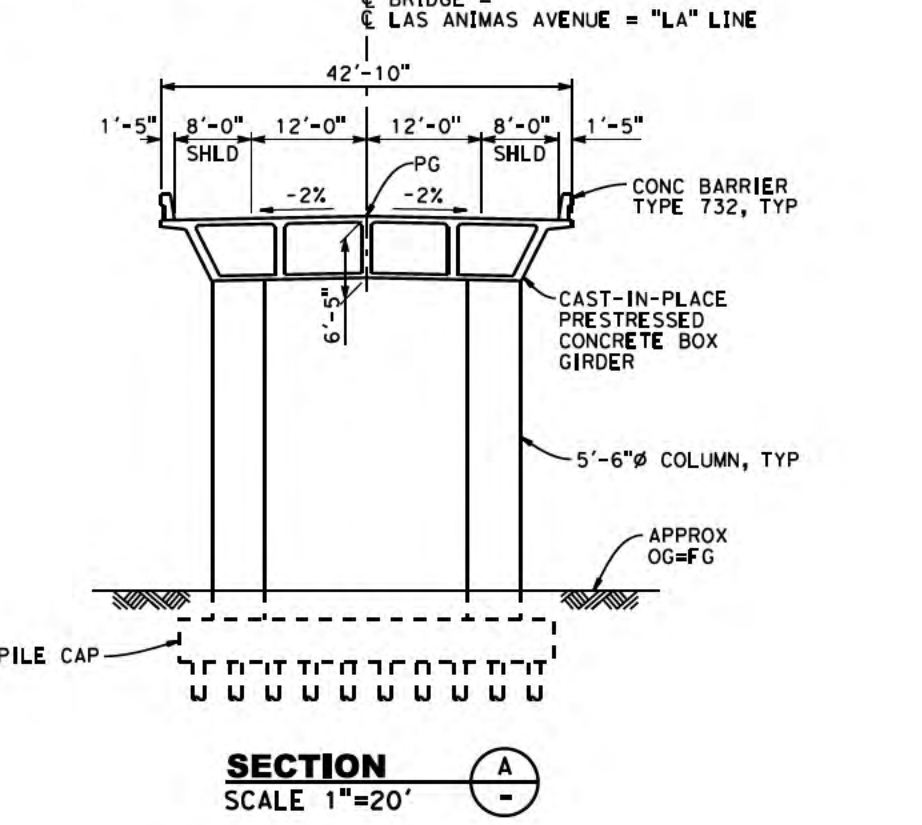


PLAN - LEAVESLEY RD "L"
SCALE: 1"=200'

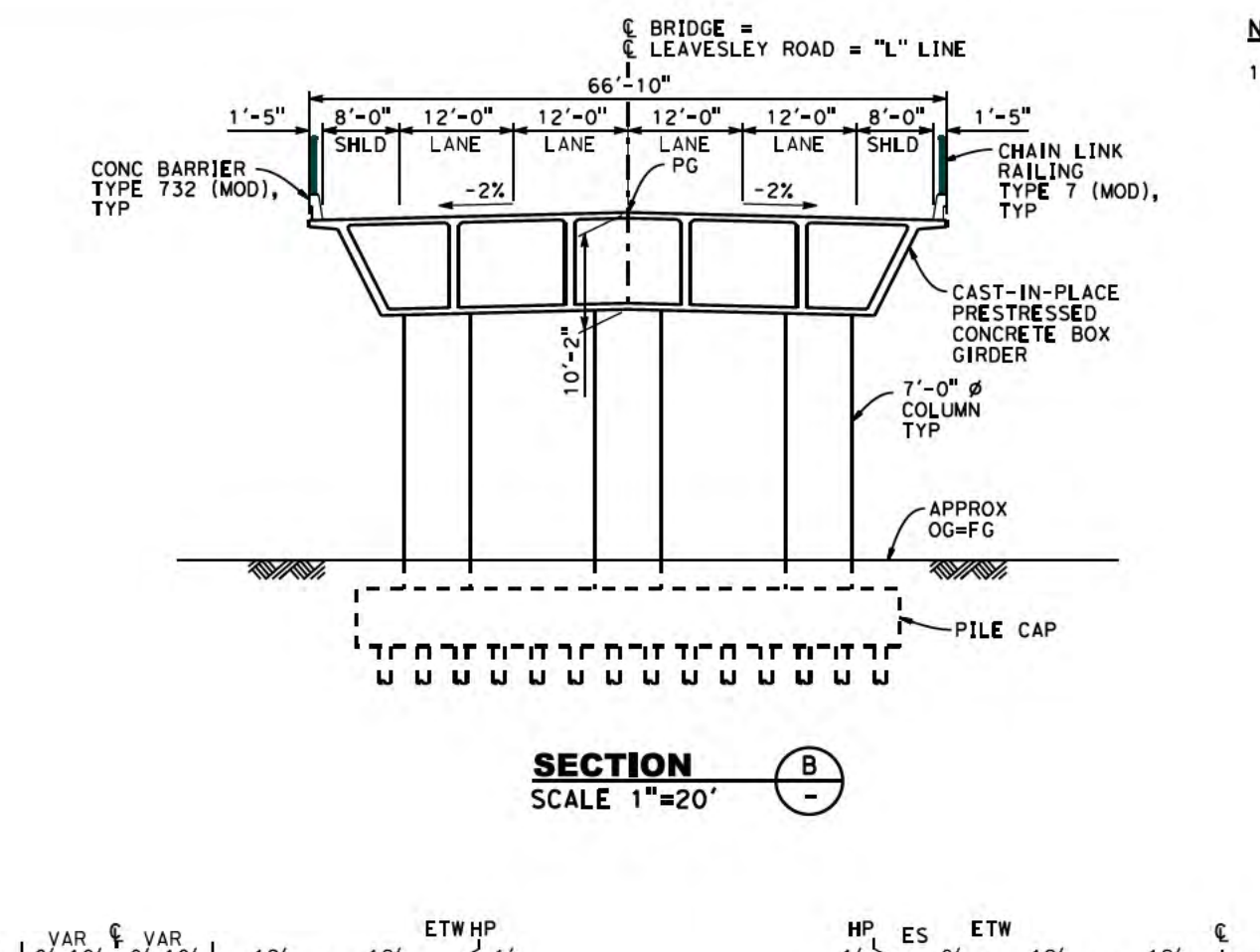


PROFILE - LEAVESLEY RD "L"
SCALE: 1"=200' HOR, 1"=100' VERT

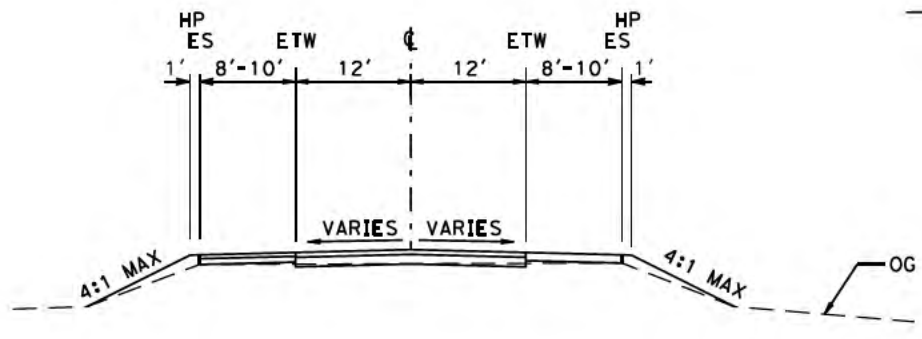
CURVE DATA "L"				
NO.	R	A	L	T
1	5000	1°21'33.68"	118,626	59,316
2	25000	0°24'27.80"	177,902	88,951



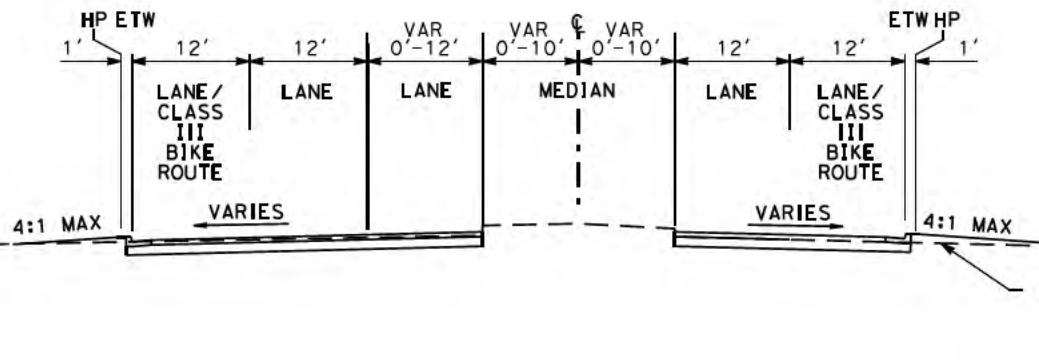
SECTION A
SCALE 1"=20'



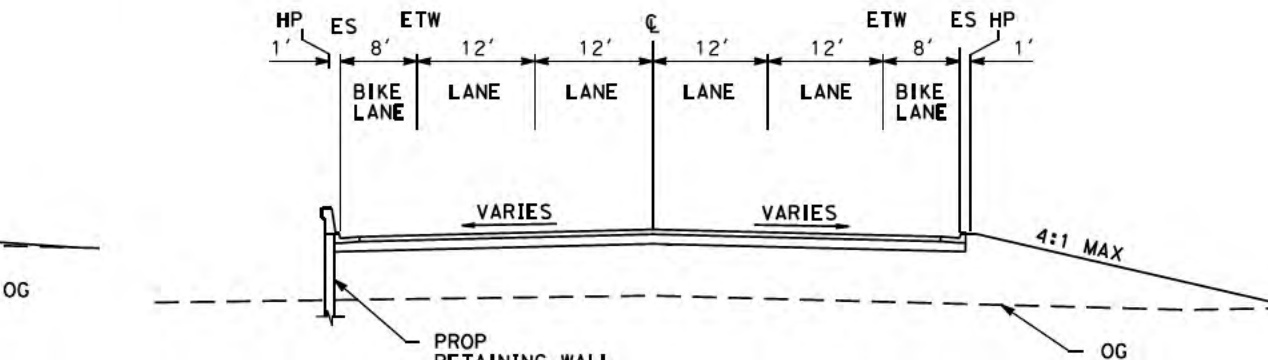
SECTION B
SCALE 1"=20'



LAS ANIMAS AVE TYPICAL SECTION
NOT TO SCALE



LEAVESLEY ROAD TYPICAL SECTION
NOT TO SCALE

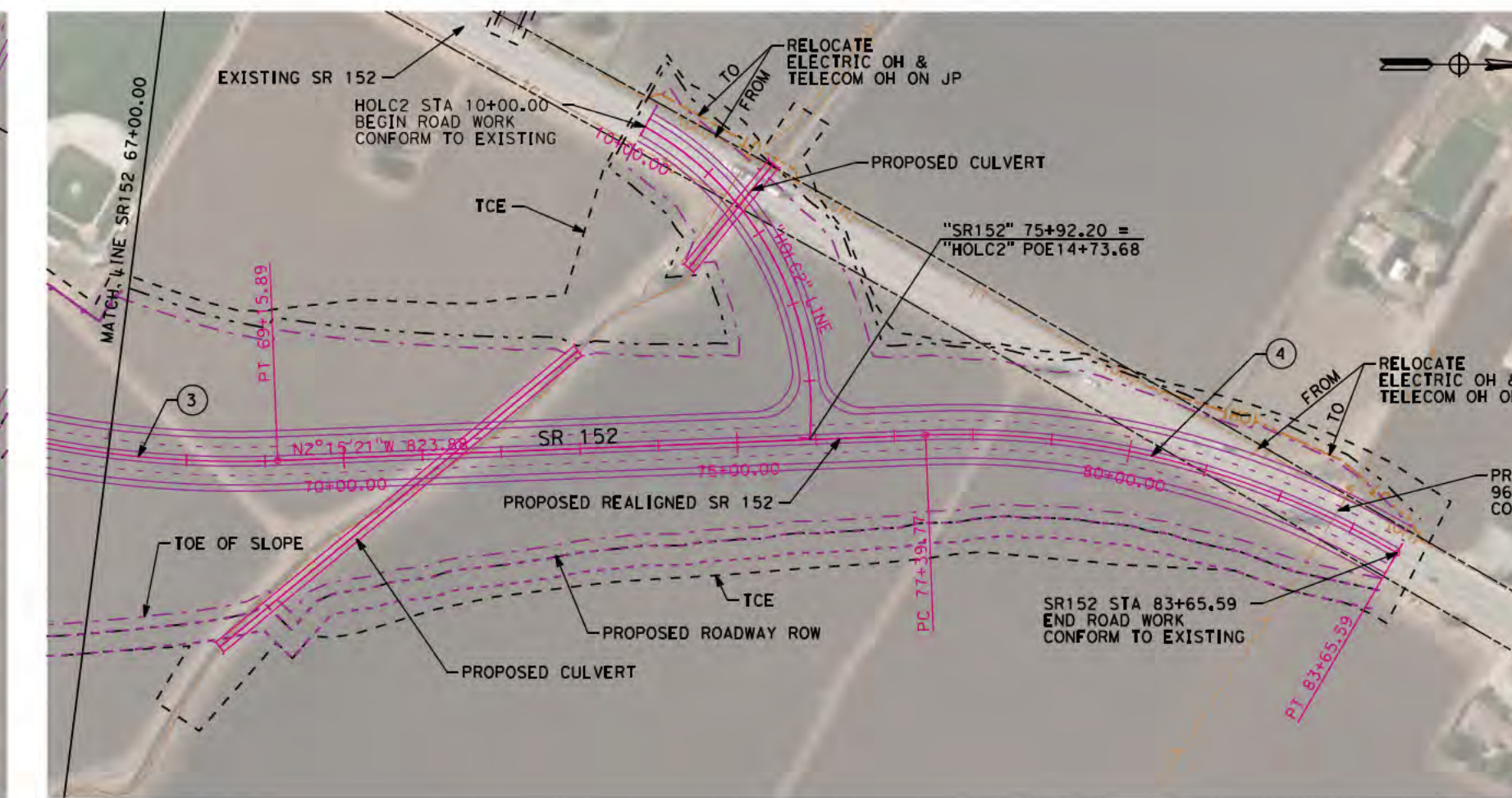
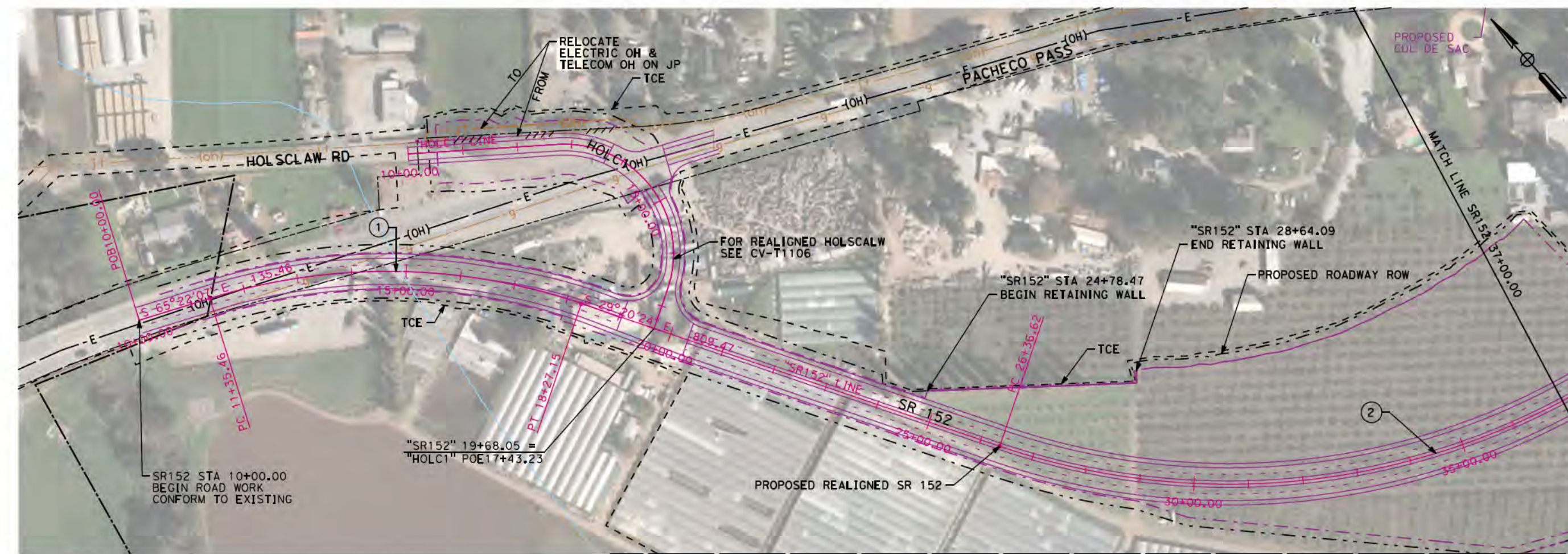


LEAVESLEY ROAD TYPICAL SECTION
NOT TO SCALE

"L" STA 18+33.11 TO "L" STA 29+42.40
"L" STA 33+92.40 TO "L" STA 45+00.00

SAN JOSE TO CVY EIR/S: VOLUME III
ALTERNATIVE 3
BOOK 3C
SHEET 109 OF 237

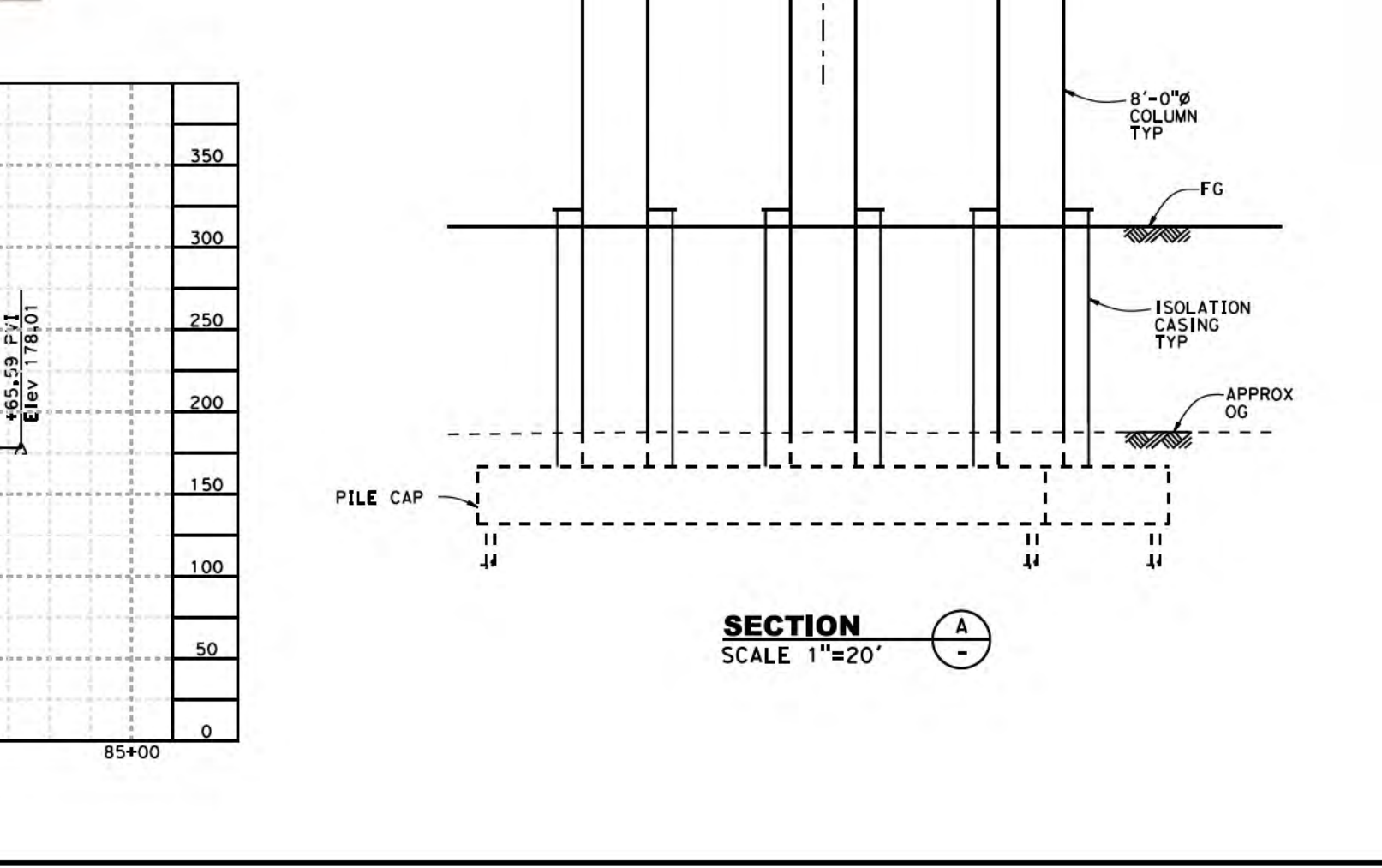
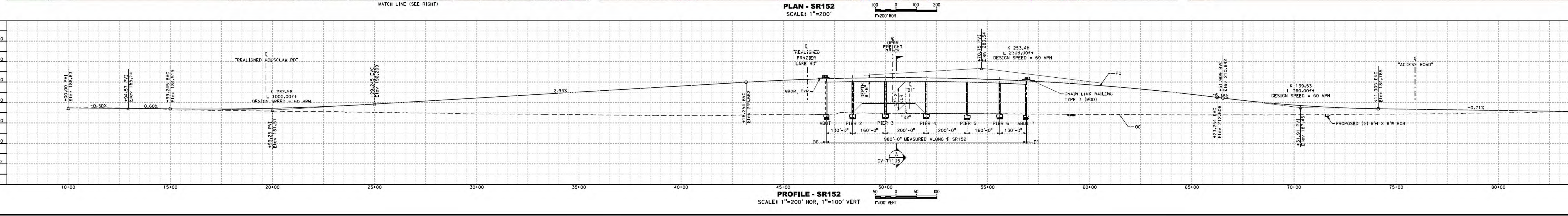
2021 RECORD SET PBD NOVEMBER 30, 2021 NOT FOR CONSTRUCTION	HNTB 1111 Broadway 9th Floor Oakland, CA 94607	CALIFORNIA High-Speed Rail Authority	CALIFORNIA HIGH-SPEED TRAIN PROJECT SAN JOSE TO MERCED VIADUCT TO EAST GILROY GRADE SEPARATION LAYOUT, PROFILE, & CROSS SECTIONS LAS ANIMAS AVE AND LEAVESLEY RD	CONTRACT NO. HSR15-34 DRAWING NO. CV-11102 SCALE AS SHOWN SHEET NO.
--	--	--	--	--



CURVE DATA				
NO.	R	Δ	PC	PT
1	1100	36°01'42.89"	691.699	357.715
2	1300	76°06'20.66"	1726.784	1017.605
3	1300	76°48'36.69"	1742.768	1030.556
4	1100	32°35'48.81"	625.815	321.63



NOTE:
1. REFER TO GENERAL NOTES SHEETS GE-B0001 AND GE-B0002 FOR NOTES.



SAN JOSE TO CVY EIR/S: VOLUME III
ALTERNATIVE 3
BOOK 3C
SHEET 110 OF 237

2021 RECORD SET PERD
NOVEMBER 30, 2021
NOT FOR CONSTRUCTION

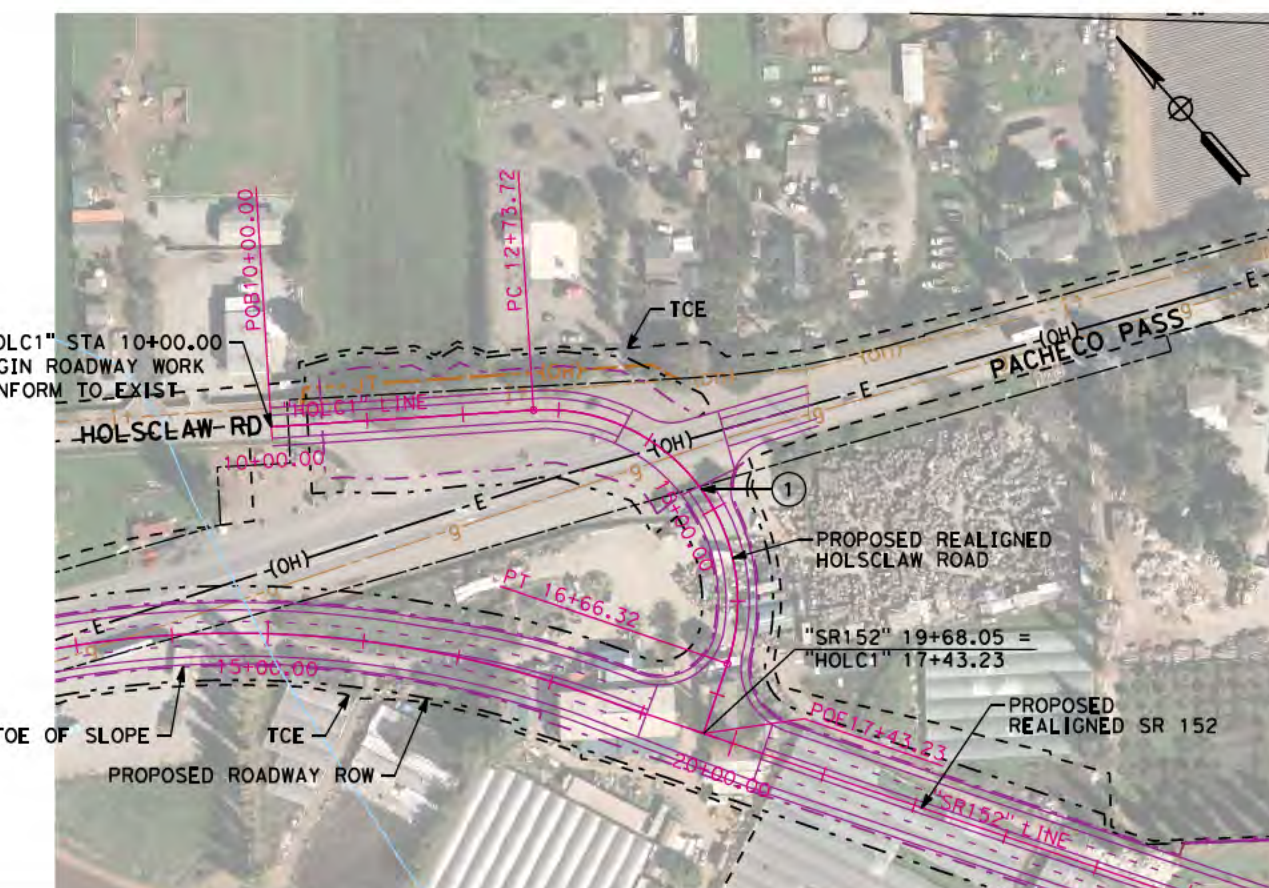
HNTB
1111 Broadway
9th Floor
Oakland, CA 94607

CALIFORNIA
High-Speed Rail Authority

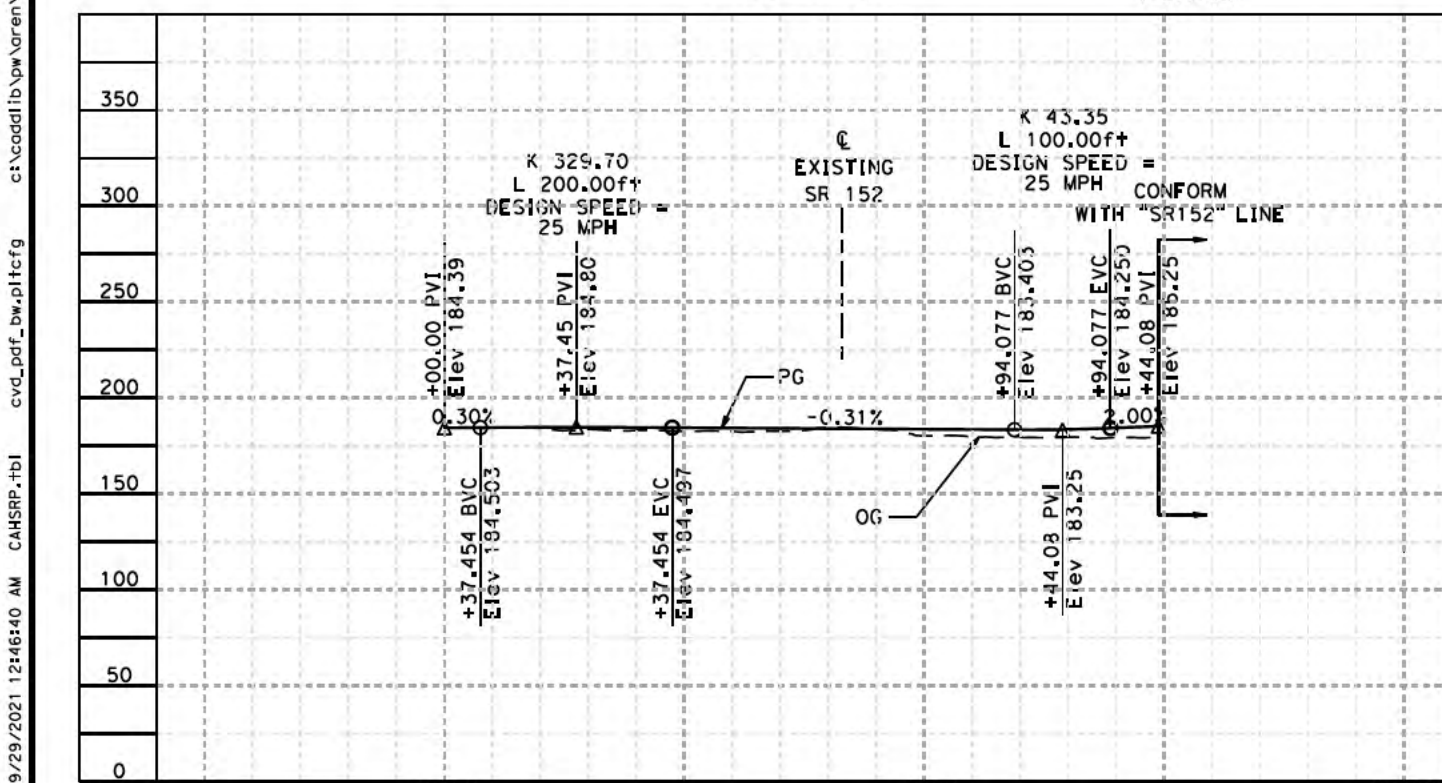
CALIFORNIA HIGH-SPEED TRAIN PROJECT
SAN JOSE TO MERCED
MORGAN HILL AND GILROY VIADUCT TO EAST GILROY
GRADE SEPARATION LAYOUT, PROFILE, & CROSS SECTIONS
SR 152

CONTRACT NO. HSR15-34
DRAWING NO. CV-T1105
SCALE AS SHOWN
SHEET NO.

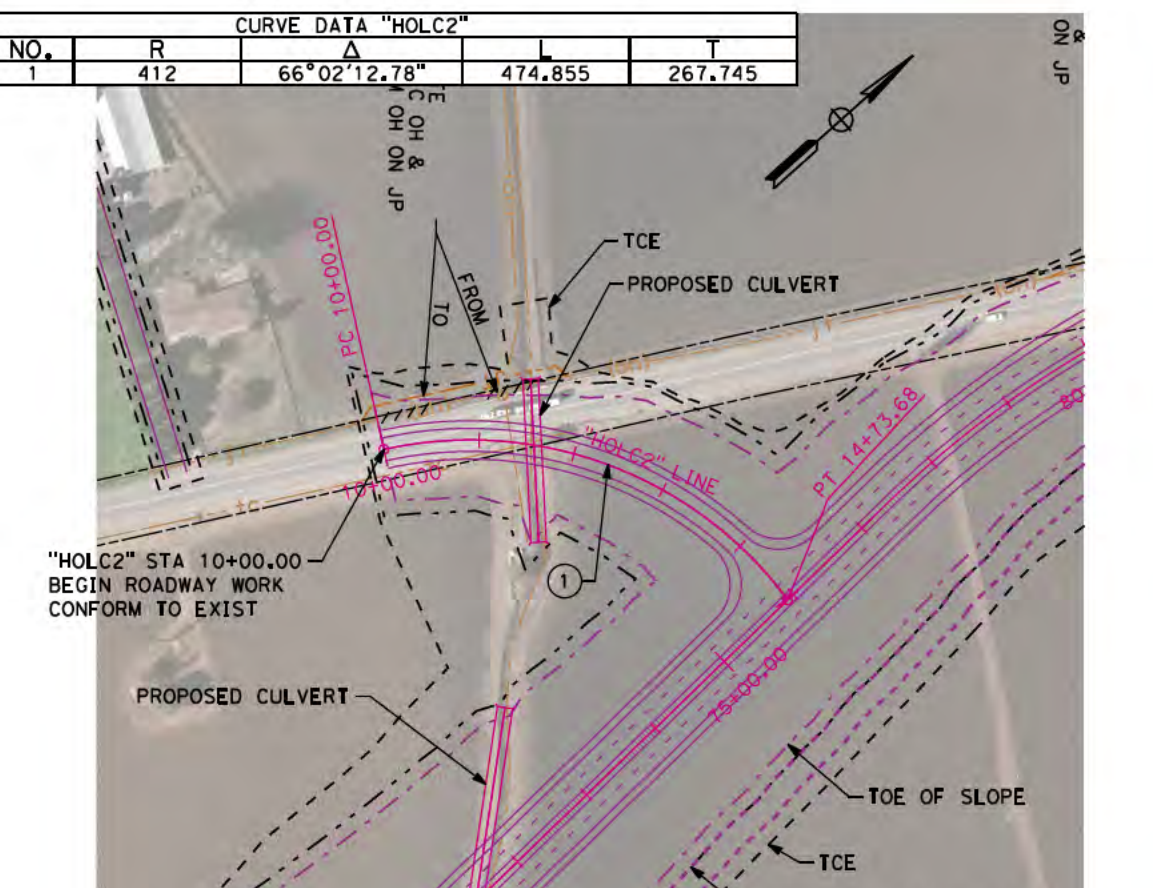
2/27/2021 12:46:40 AM C:\p02\2021\124640.dwg CALHSR-101 0:00:00 2021/11/30 11:06:00



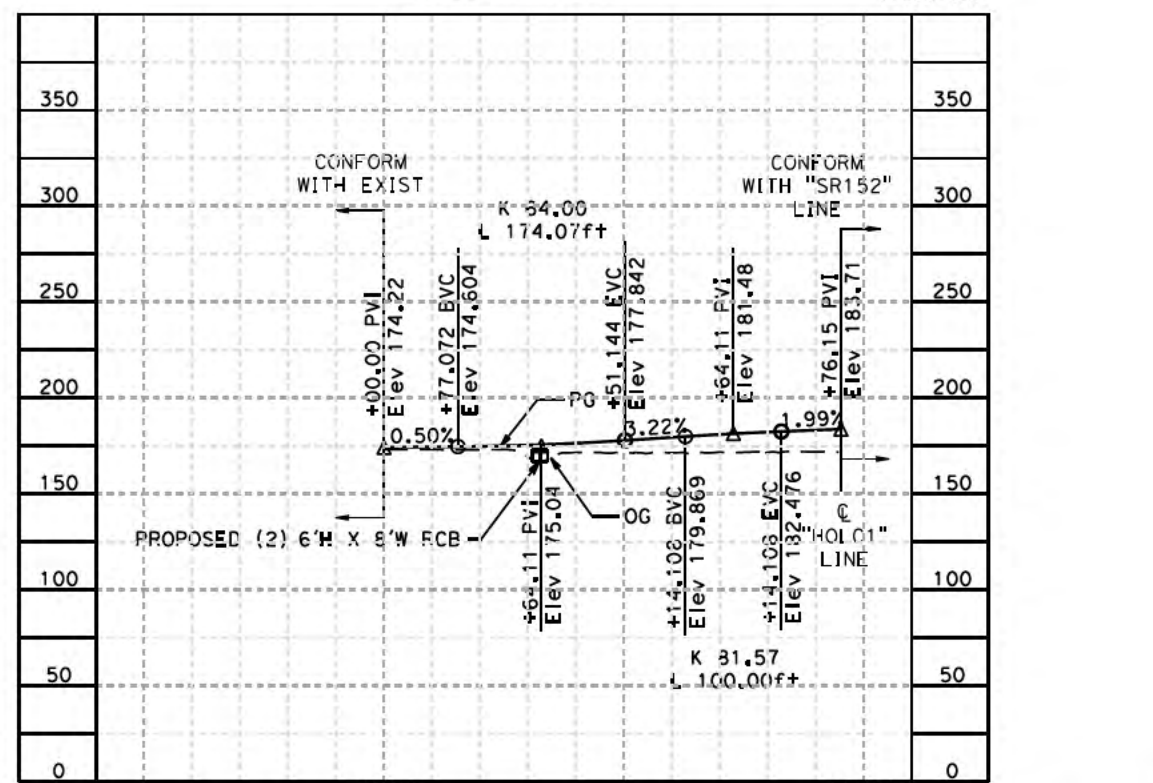
PLAN - HOLSCLAW RD "HOLC1"
SCALE: 1"=200'



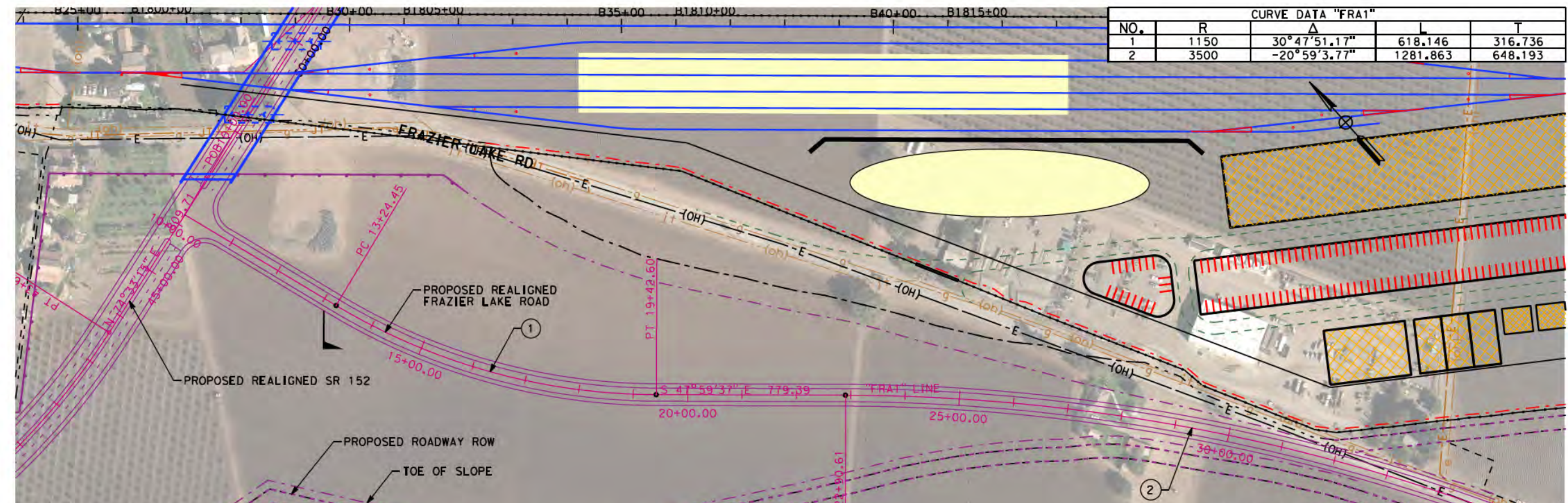
PROFILE - HOLSCLAW RD "HOLC1"
SCALE: 1"=200' HOR, 1"=50' VERT



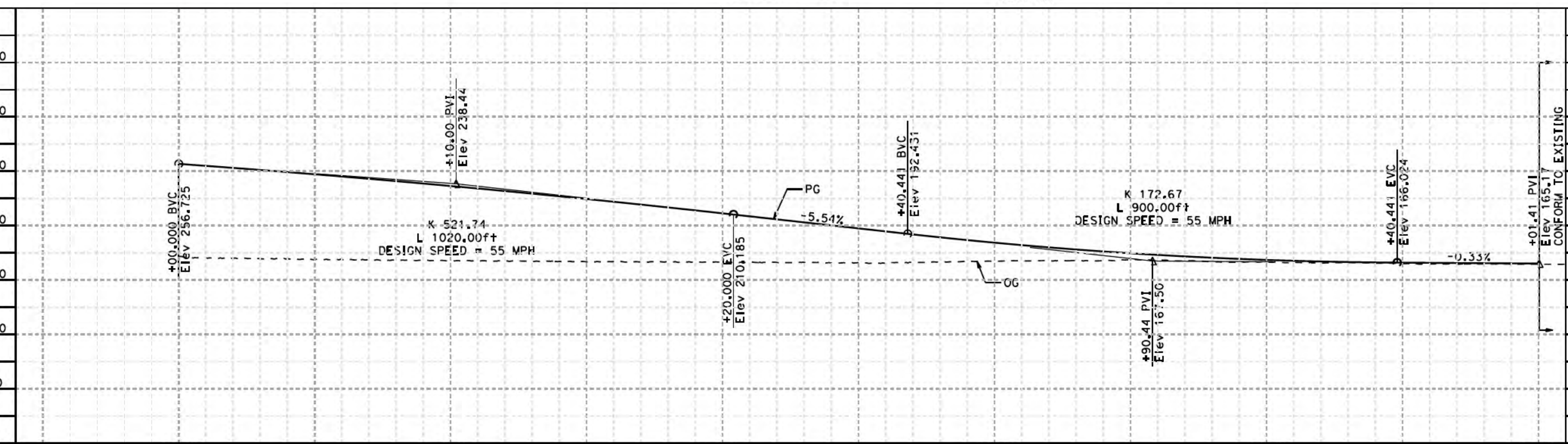
PLAN - HOLSCLAW RD 2 "HOLC2"
SCALE: 1"=200'



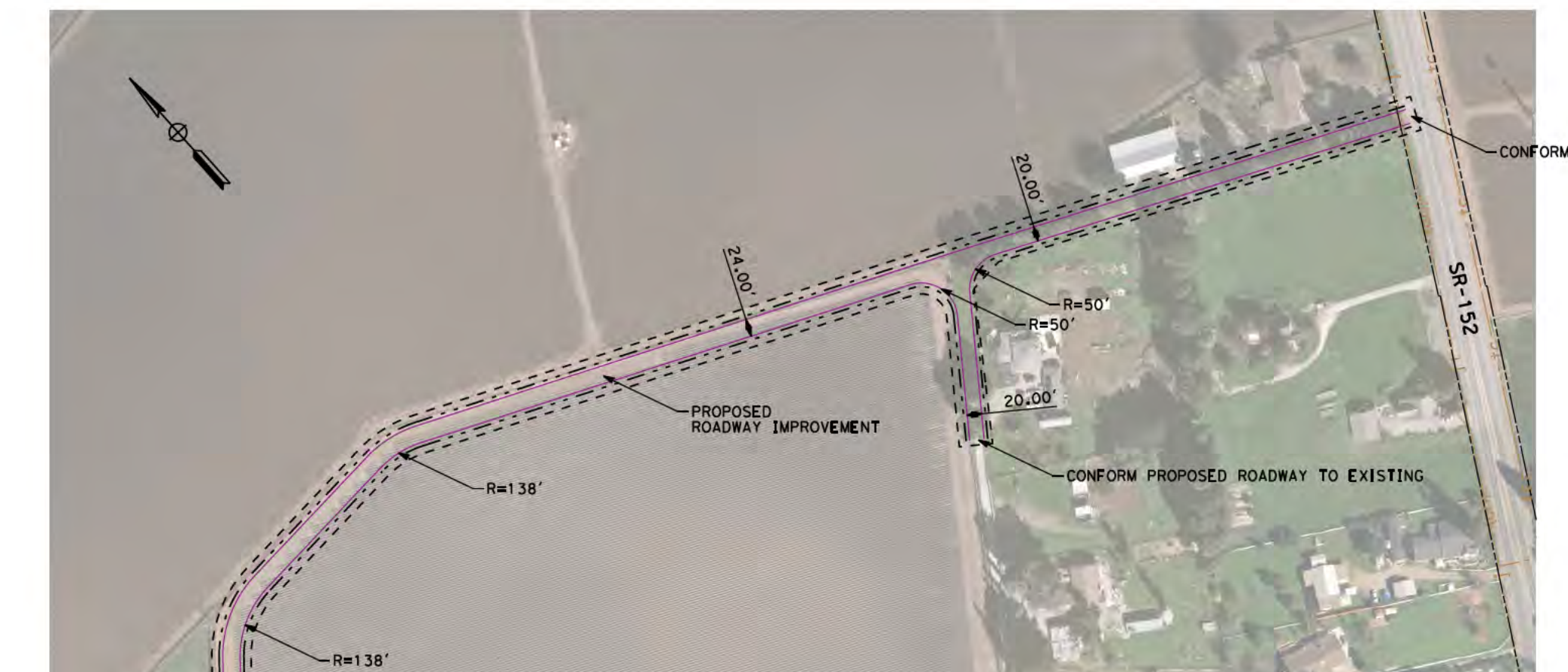
PROFILE - HOLSCLAW RD 2 "HOLC2"
SCALE: 1"=200' HOR, 1"=50' VERT



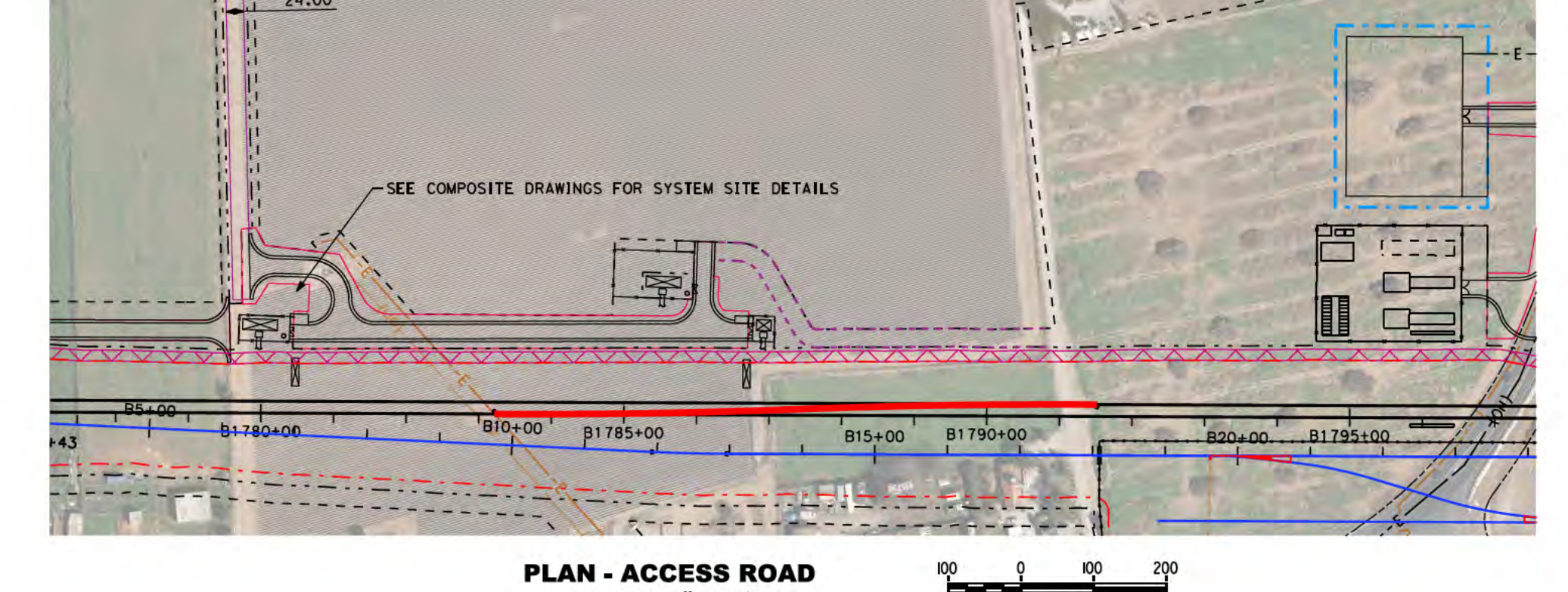
PLAN - FRAZIER LAKE RD "FRA1"
SCALE: 1"=200'



PROFILE - FRAZIER LAKE RD "FRA1"
SCALE: 1"=200' HOR, 1"=50' VERT



PLAN - ACCESS ROAD
SCALE: 1"=200'



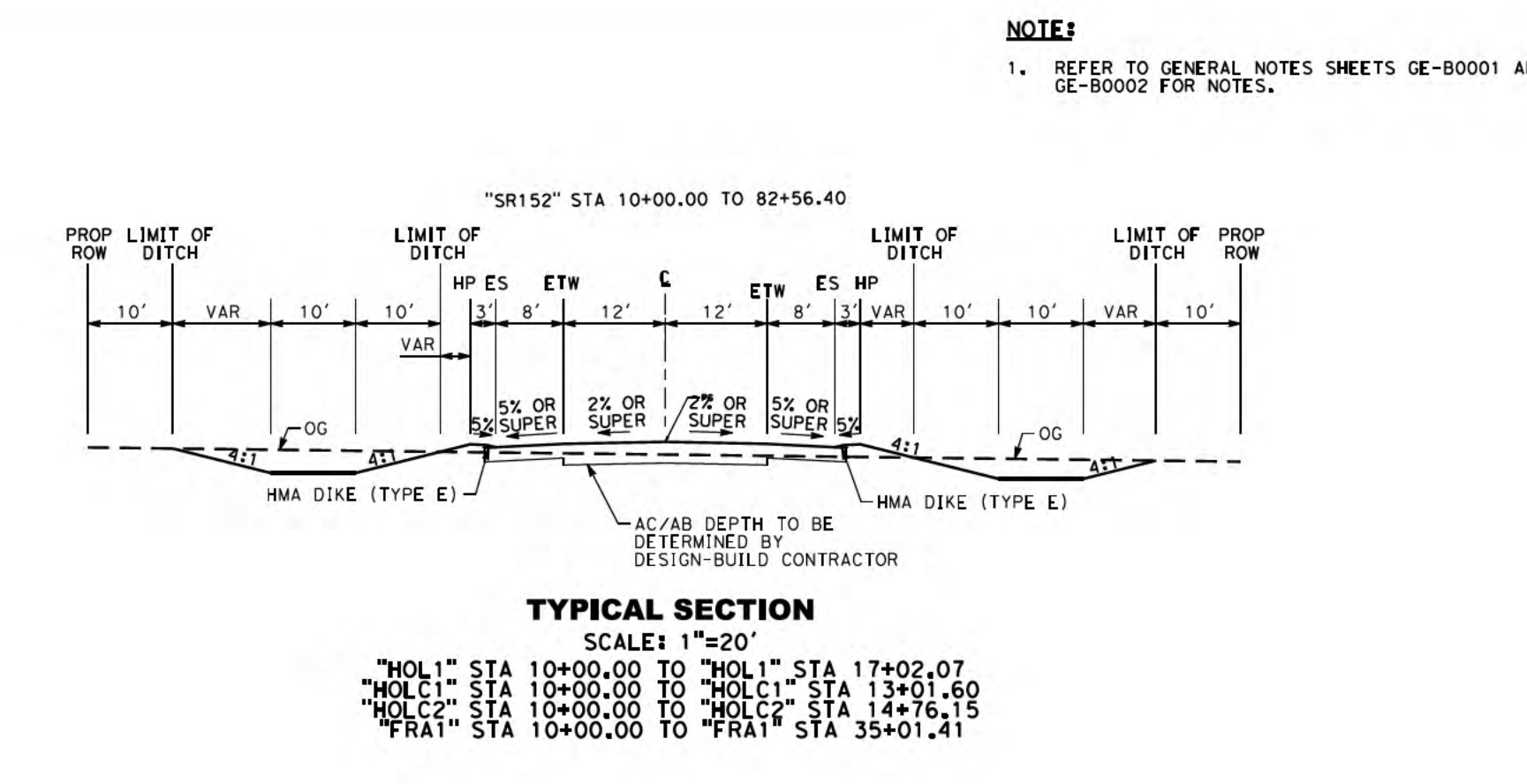
PROFILE - ACCESS ROAD
SCALE: 1"=200' HOR, 1"=50' VERT



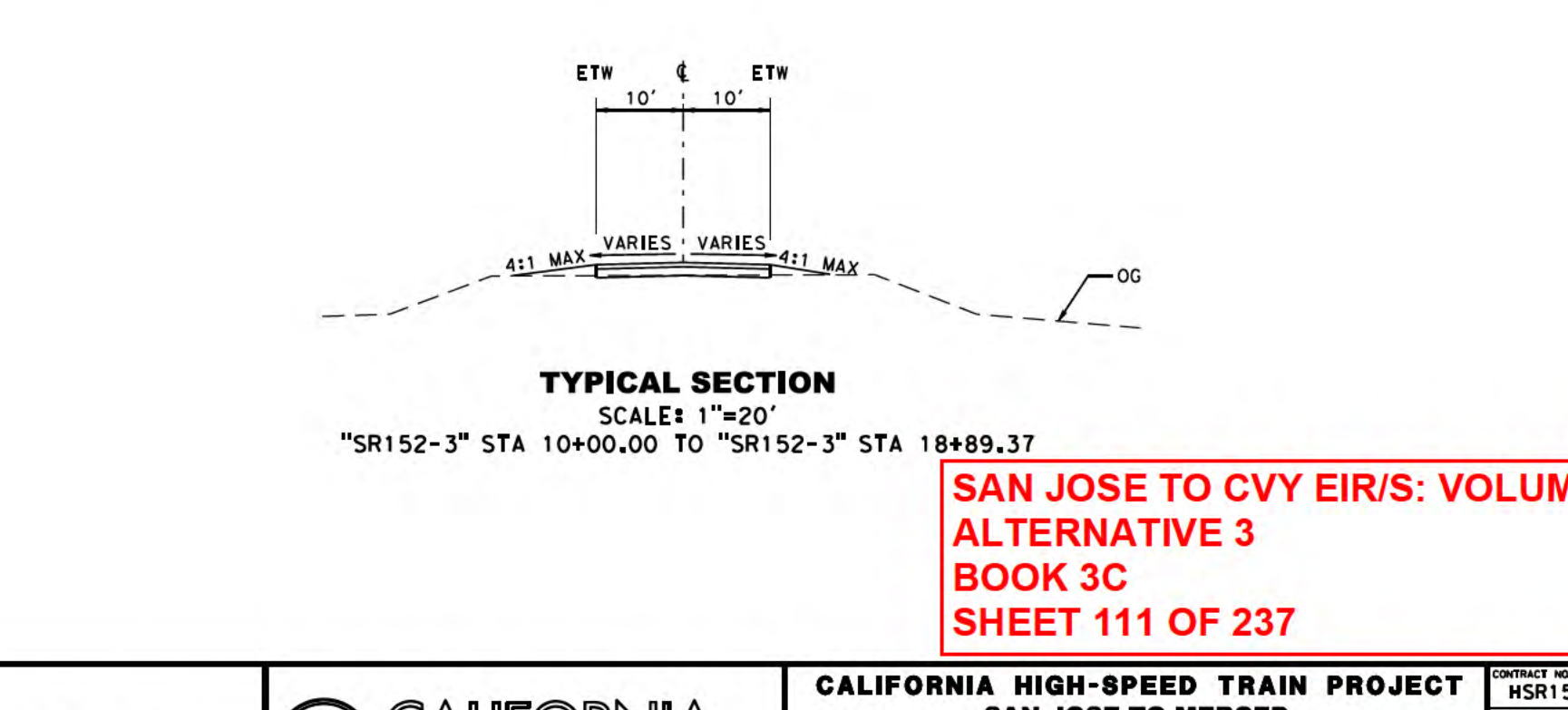
TYPICAL SECTION
SCALE: 1"=20'



TYPICAL SECTION
SCALE: 1"=20'



PLAN - SR152
SCALE: 1"=200'



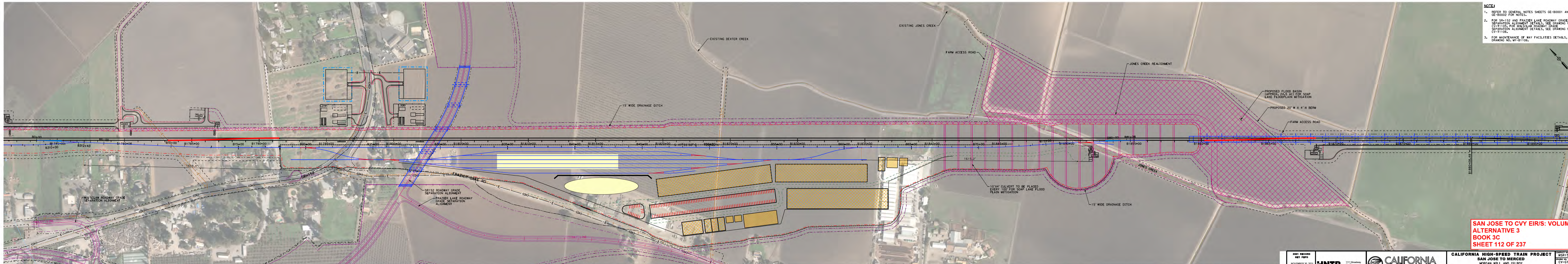
PROFILE - SR152
SCALE: 1"=200' HOR, 1"=50' VERT

NOTE:
1. REFER TO GENERAL NOTES SHEETS GE-B0001 AND GE-B0002 FOR NOTES.

SAN JOSE TO CVY EIR/S: VOLUME III
ALTERNATIVE 3
BOOK 3C
SHEET 111 OF 237

2021 RECORD SET PBD NOVEMBER 30, 2021 NOT FOR CONSTRUCTION	HNTB 1111 Broadway 9th Floor Oakland, CA 94607	CALIFORNIA High-Speed Rail Authority	CALIFORNIA HIGH-SPEED TRAIN PROJECT SAN JOSE TO MERCED MORGAN HILL AND GILROY VIADUCT TO EAST GILROY GRADE SEPARATION LAYOUT, PROFILE, & CROSS SECTIONS HOLC1 -2, SR 152-2, SR 152-3 AND FRAZIER LAKE ROAD	CONTRACT NO. HSR15-34 DRAWING NO. CV-11106 SCALE AS SHOWN SHEET NO.
--	--	--	--	--

\\fs01\proj\2025\04\15235\PM_Caltrans\461 - CIV-CV-C1101.dwg
C:\Users\lhw\OneDrive\Documents\46101_Caltrans\46101_CV-C1101.dwg
11/17/2025 04:15:23 PM Caltrans 461 - CIV-CV-C1101.dwg

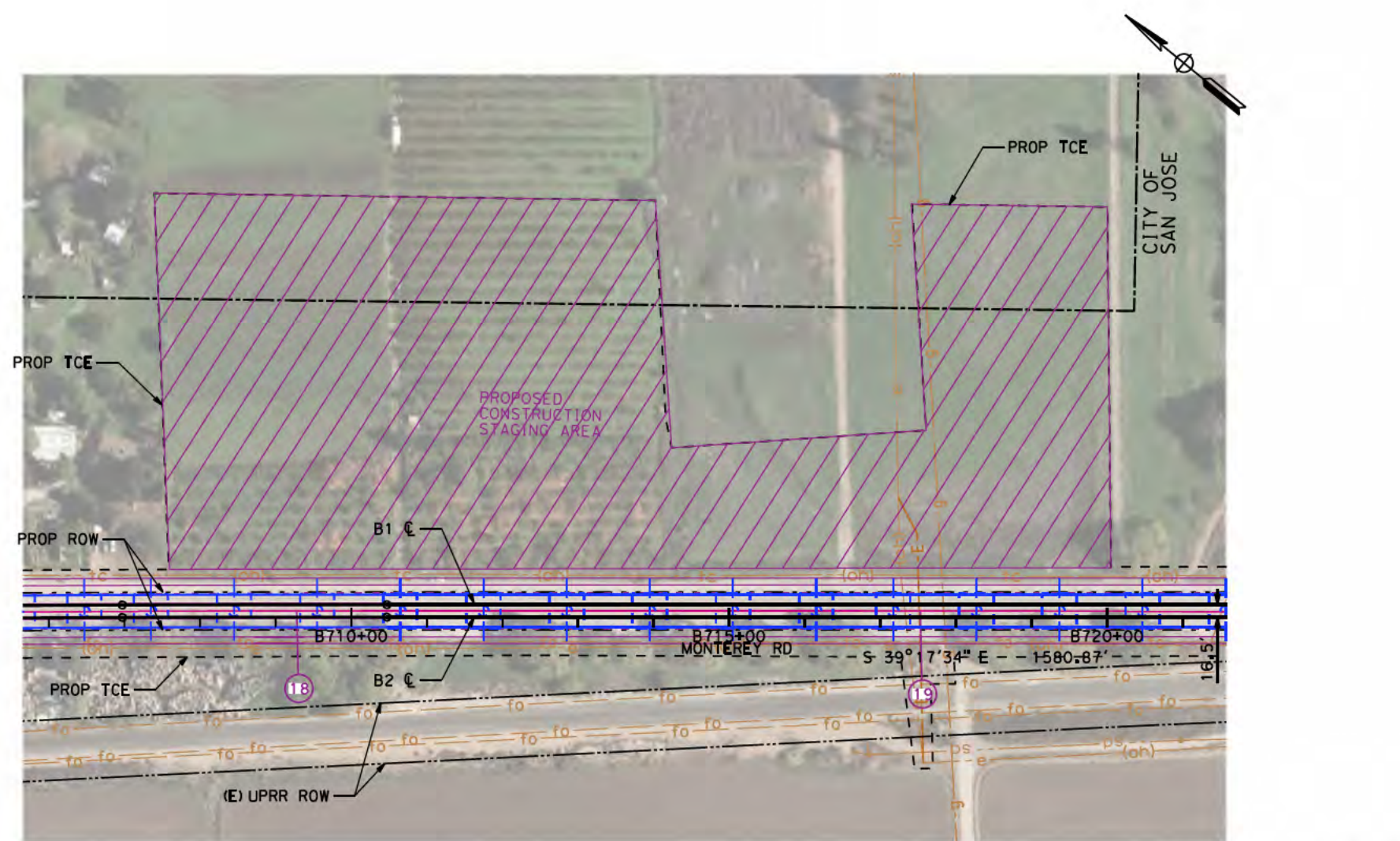


- NOTES:**
1. REFER TO GENERAL NOTES SHEETS GE-B0001 AND GE-B0002 FOR NOTES.
 2. FOR SR-152 AND FRAZIER LAKE ROADWAY GRADE SEPARATION ALIGNMENT DETAILS, SEE DRAWING NO. CV-T1105, FOR HOLSLAW ROADWAY GRADE SEPARATION ALIGNMENT DETAILS, SEE DRAWING NO. CV-T1106.
 3. FOR MAINTENANCE OF WAY FACILITIES DETAILS, SEE DRAWING NO. MY-B1106.

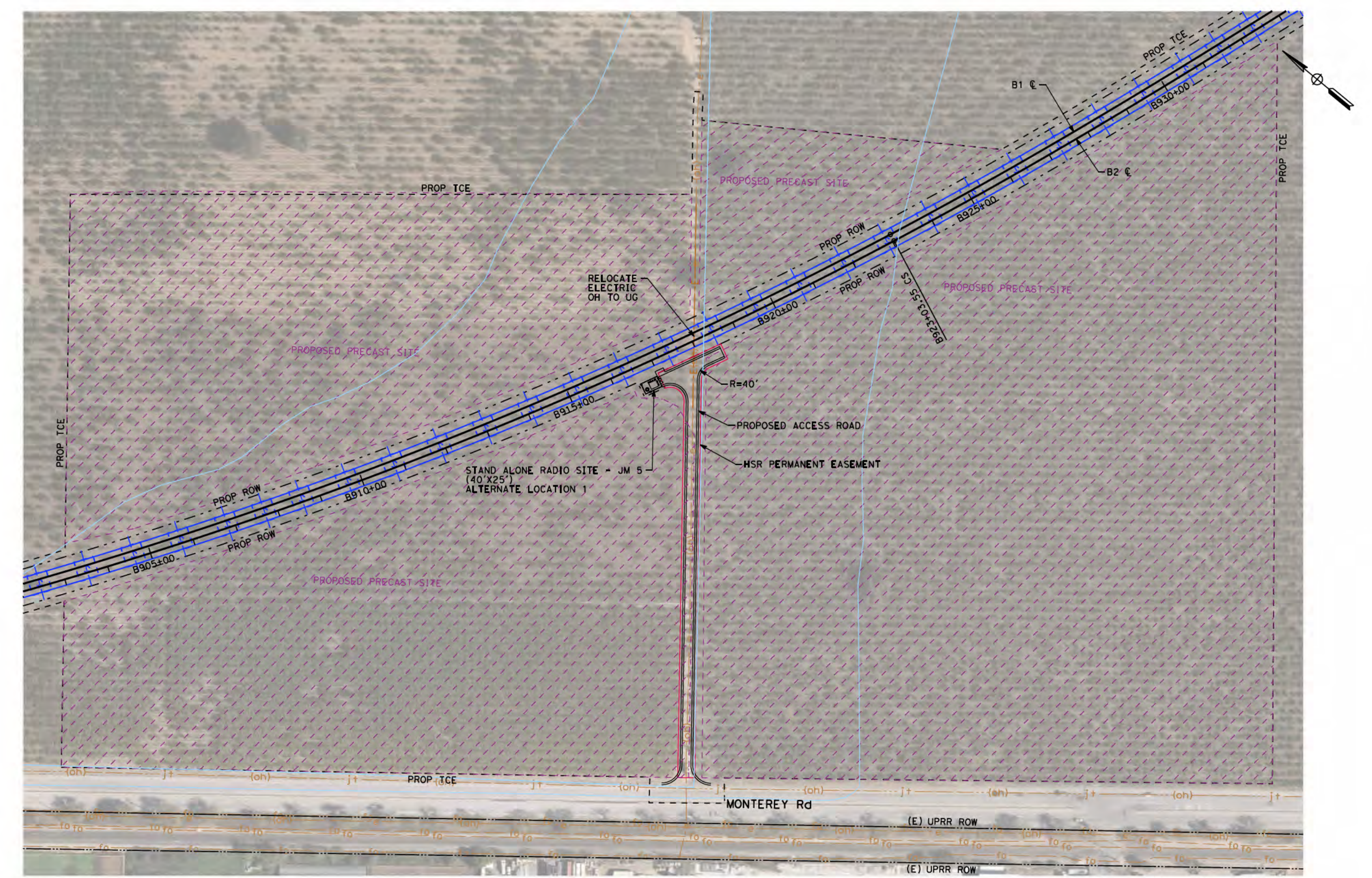
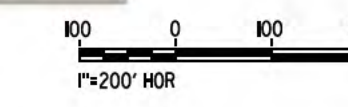
**SAN JOSE TO CVY EIR/S: VOLUME III
ALTERNATIVE 3
BOOK 3C
SHEET 112 OF 237**

PLAN
SCALE: 1"=200'
100 0 100 200
1"=200' HOR

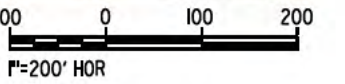
2021 RECORD SET PERP NOVEMBER 30, 2021 NOT FOR CONSTRUCTION	HNTB 1111 Broadway 9th Floor Oakland, CA 94607	CALIFORNIA High-Speed Rail Authority	CALIFORNIA HIGH-SPEED TRAIN PROJECT SAN JOSE TO MERCED MORGAN HILL AND GILROY VIADUCT TO EAST GILROY SOAP LAKE FLOOD PLAIN DETAIL	CONTRACT NO. HSR15-34 DRAWING NO. CV-C1101 SCALE AS SHOWN SHEET NO.
---	--	--	---	---



**PROPOSED STAGE CONSTRUCTION STAGING AREA
AT STA B707+59 TO STA B720+05**
SCALE: 1"=200'



ACCESS ROAD TO MONTEREY ROAD
SCALE: 1"=200'



NOTE:
1. REFER TO GENERAL NOTES SHEETS GE-B0001 AND GE-B0002 FOR NOTES.

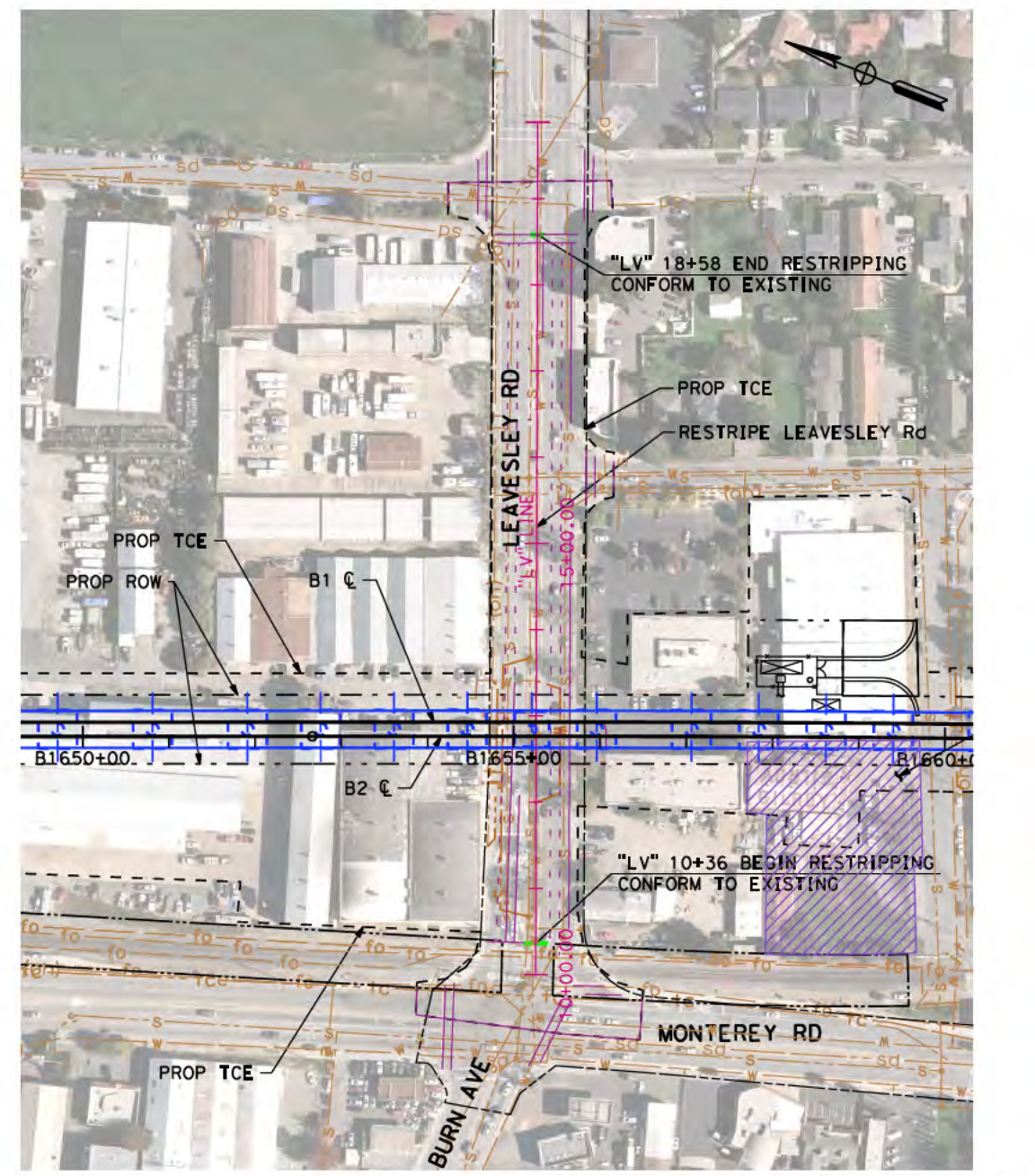
SAN JOSE TO CVY EIR/S: VOLUME III
ALTERNATIVE 3
BOOK 3C
SHEET 113 OF 237

2021 RECORD SET PBD NOVEMBER 30, 2021 NOT FOR CONSTRUCTION	HNTB 1111 Broadway 9th Floor Oakland, CA 94607		CALIFORNIA HIGH-SPEED TRAIN PROJECT SAN JOSE TO MERCED MORGAN HILL AND GILROY VIADUCT TO DOWNTOWN GILROY CIVIL DETAILS	CONTRACT NO. HSR15-34 DRAWING NO. CV-S0701 SCALE AS SHOWN SHEET NO.
--	--	--	---	--

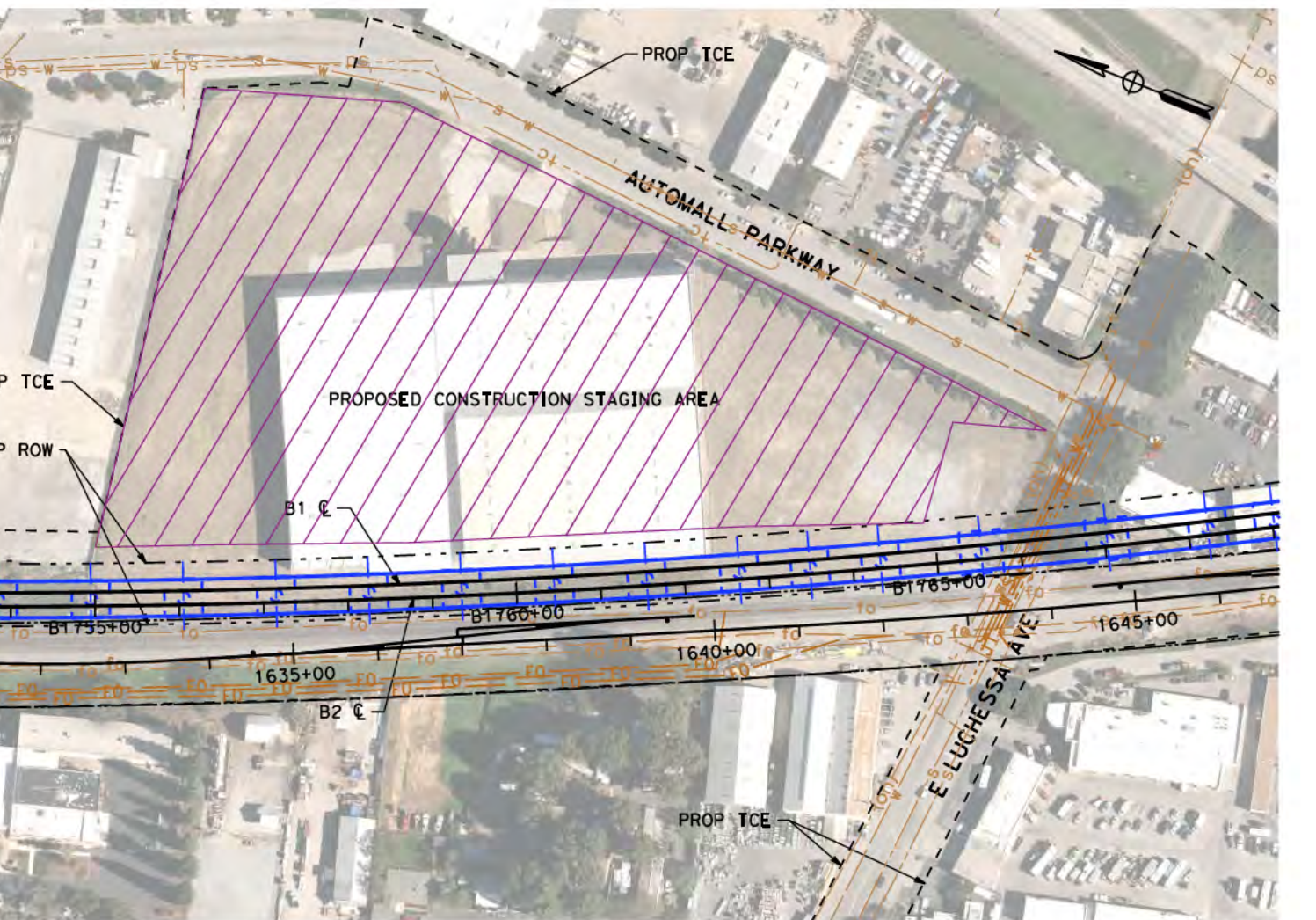
11/11/2021 4:52:22 PM C:\p05\401 C:\c\p05\401\1998\user\cvs-0701.dgn



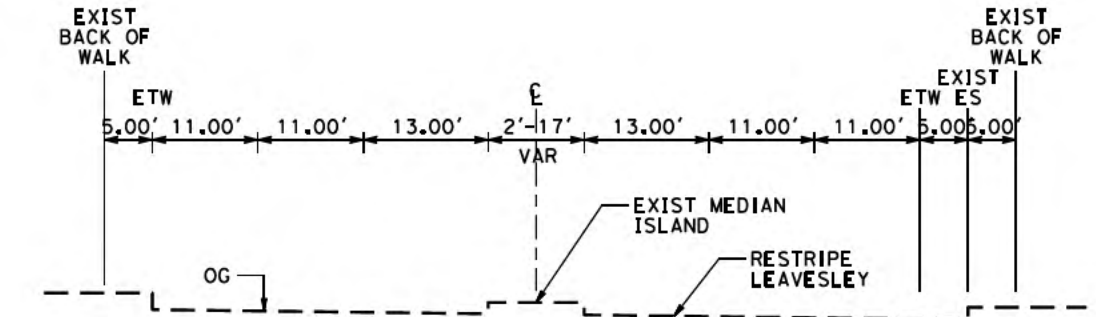
**STAGE CONSTRUCTION AREA
AT STA B1575+12 TO STA B1594+85**
SCALE: 1"=200'



PLAN LEAVESLEY ROAD
SCALE: 1"=200'



**STAGE CONSTRUCTION AREA
AT STA B1755+00 TO STA B1765+45**
SCALE: 1"=200'



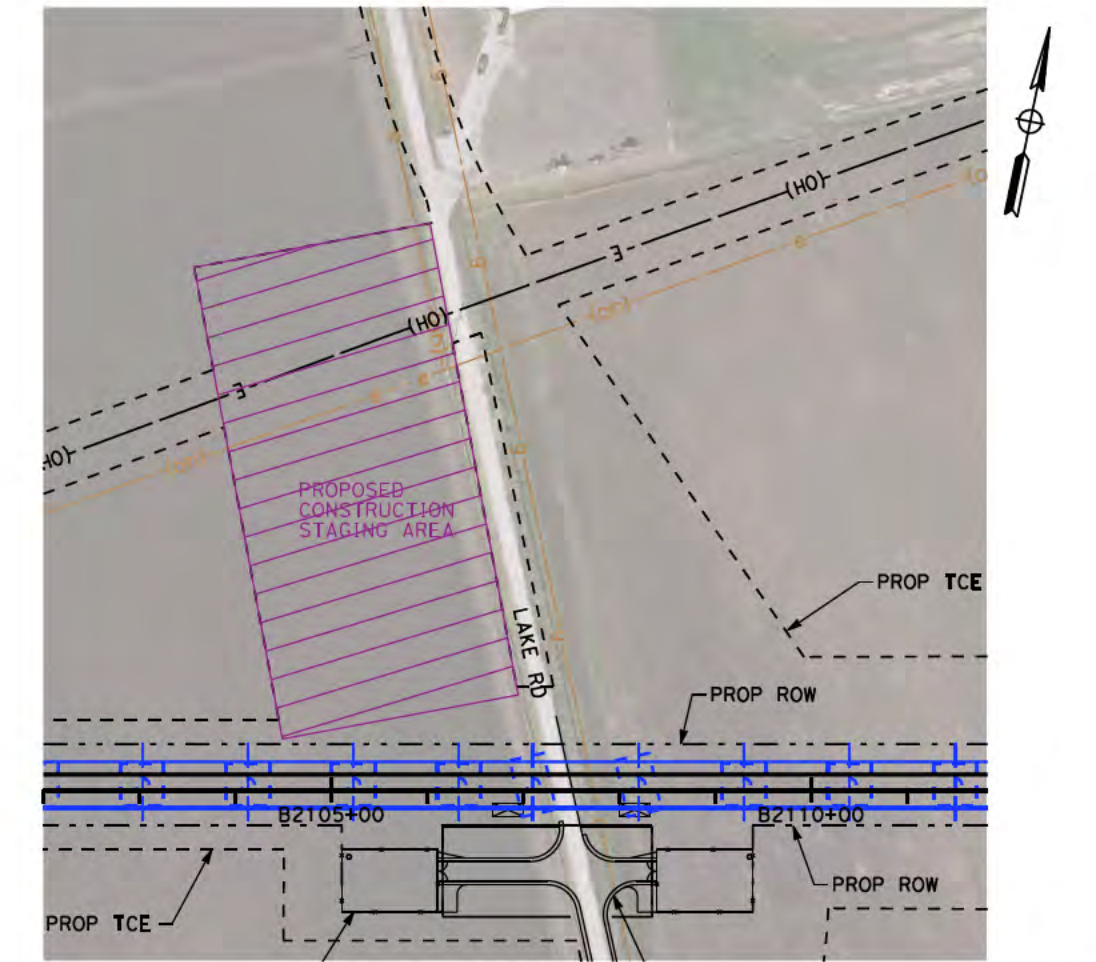
LEAVESLEY RD TYPICAL SECTION
SCALE: 1"=20'
"LV" STA 10+00.00 TO "LV" STA 19+19.79

NOTE:
1. REFER TO GENERAL NOTES SHEETS GE-B0001 AND GE-B0002 FOR NOTES.

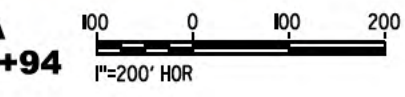
**SAN JOSE TO CVY EIR/S: VOLUME III
ALTERNATIVE 3
BOOK 3C
SHEET 114 OF 237**

2021 RECORD SET PBD NOVEMBER 30, 2021 NOT FOR CONSTRUCTION	HNTB 1111 Broadway 9th Floor Oakland, CA 94607		CALIFORNIA HIGH-SPEED TRAIN PROJECT SAN JOSE TO MERCED MORGAN HILL AND GILROY VIADUCT TO DOWNTOWN GILROY CIVIL DETAILS	CONTRACT NO. HSR15-34 DRAWING NO. CV-50901 SCALE AS SHOWN SHEET NO.
--	--	--	--	--

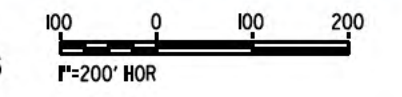
10/27/2021 04:51:33 AM C:\p02\2021\1021045133\114.dwg 2021/11/30 10:51:33 AM C:\p02\2021\1021045133\114.dwg 2021/11/30 10:51:33 AM C:\p02\2021\1021045133\114.dwg



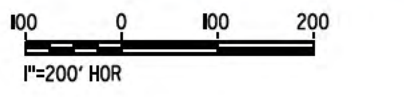
**STAGE CONSTRUCTION AREA
AT STA B2103+57 TO STA B2106+94**
SCALE: 1"=200'



**STAGE CONSTRUCTION AREA
AT STA B2143+67 TO STA B2152+06**
SCALE: 1"=200'



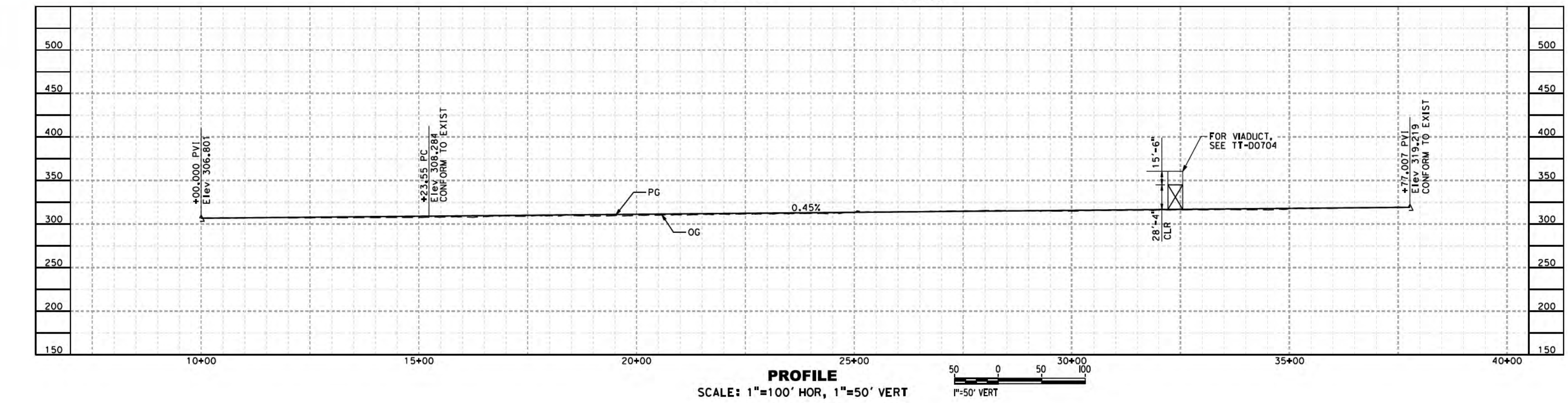
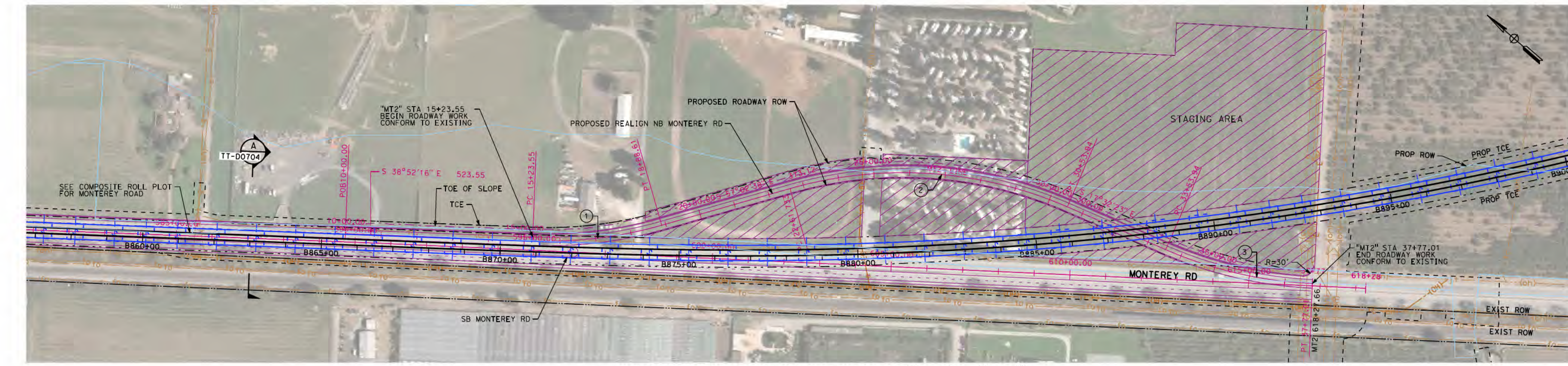
**STAGE CONSTRUCTION AREA
AT STA B2223+31 TO STA B2227+15
AT STA B2242+06 TO STA B2246+66**
SCALE: 1"=200'



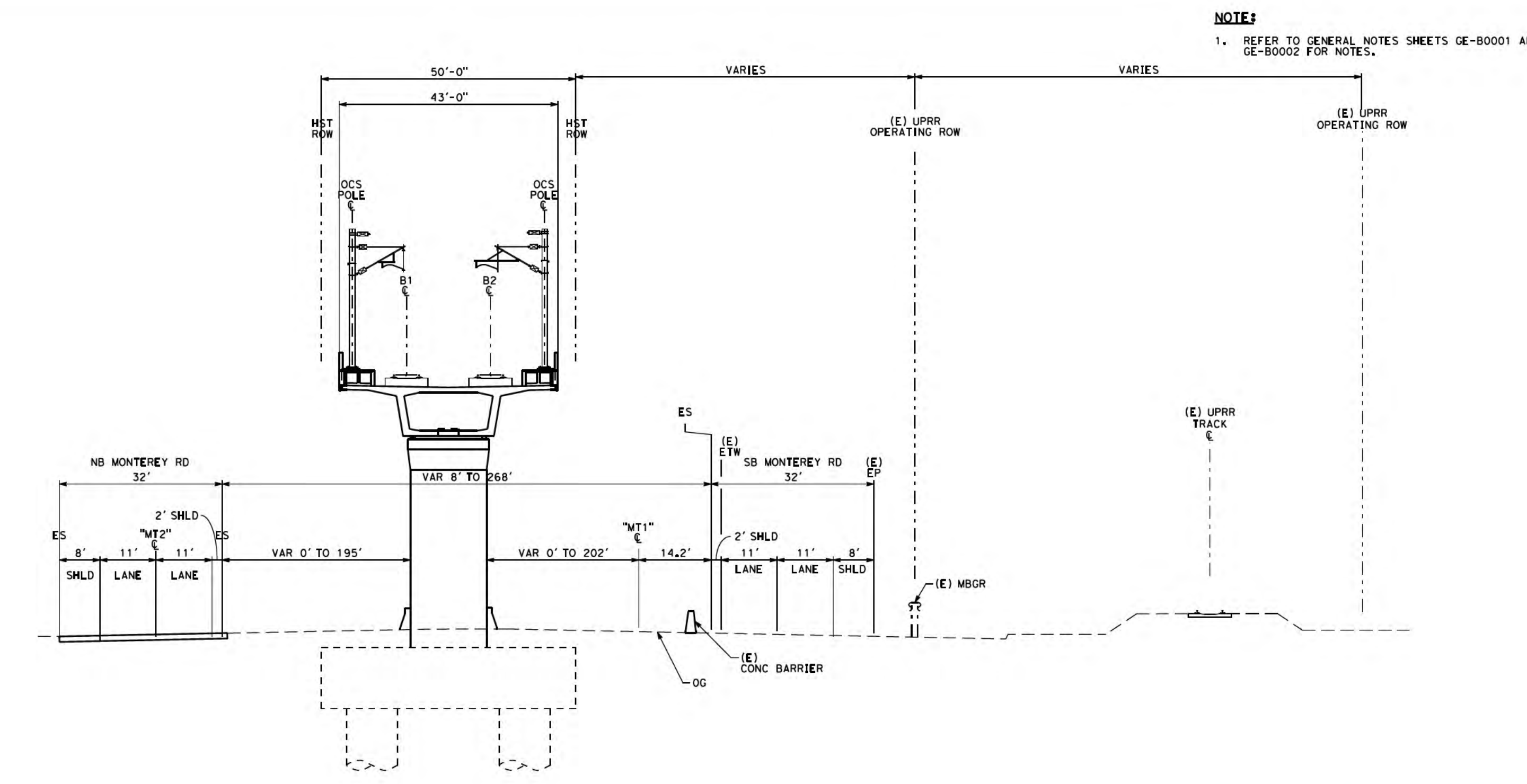
**SAN JOSE TO CVY EIR/S: VOLUME III
ALTERNATIVE 3
BOOK 3C
SHEET 115 OF 237**

10/27/2021 08:51:12 AM c:\p02\proj_2021\115.dwg CALSWP.tbl c:\p02\proj_2021\115.dwg 11/30/2021 10:58:54 AM c:\p02\proj_2021\115.dwg

2021 RECORD SET PER NOVEMBER 30, 2021 NOT FOR CONSTRUCTION	HNTB 1111 Broadway 9th Floor Oakland, CA 94607	CALIFORNIA High-Speed Rail Authority	CALIFORNIA HIGH-SPEED TRAIN PROJECT SAN JOSE TO MERCED MORGAN HILL AND GILROY VIADUCT TO DOWNTOWN GILROY CIVIL DETAILS	CONTRACT NO. HSR15-34 DRAWING NO. CV-S1201 SCALE AS SHOWN SHEET NO.
--	--	--	---	--



CURVE DATA "MT2"				
NO.	R	Δ	T	L
1	1151	18° 10' 21.47"	365.065	184.078
2	1149	39° 30' 14.68"	792.208	412.579
3	1151	21° 03' 35.46"	423.066	213.947

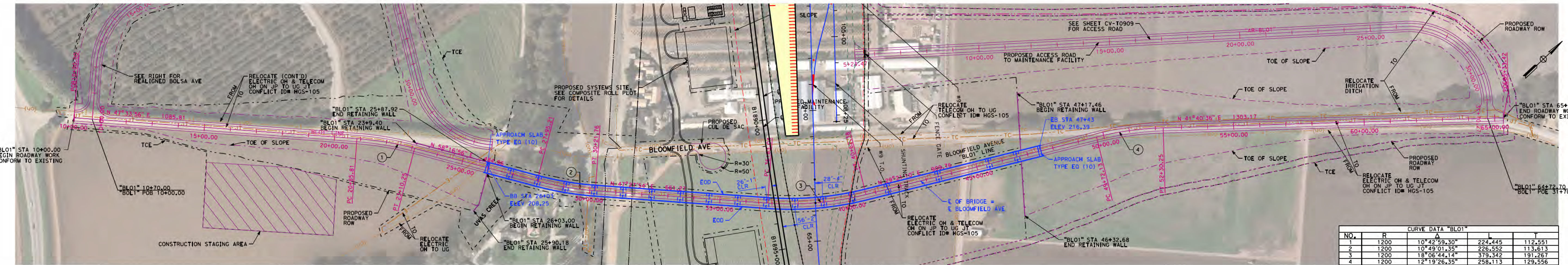


TYPICAL SECTION
 SCALE: 1"=20'
 "MT2" STA 10+00 "MT2" STA TO 37+77

NOTE:
 1. REFER TO GENERAL NOTES SHEETS GE-B0001 AND GE-B0002 FOR NOTES.

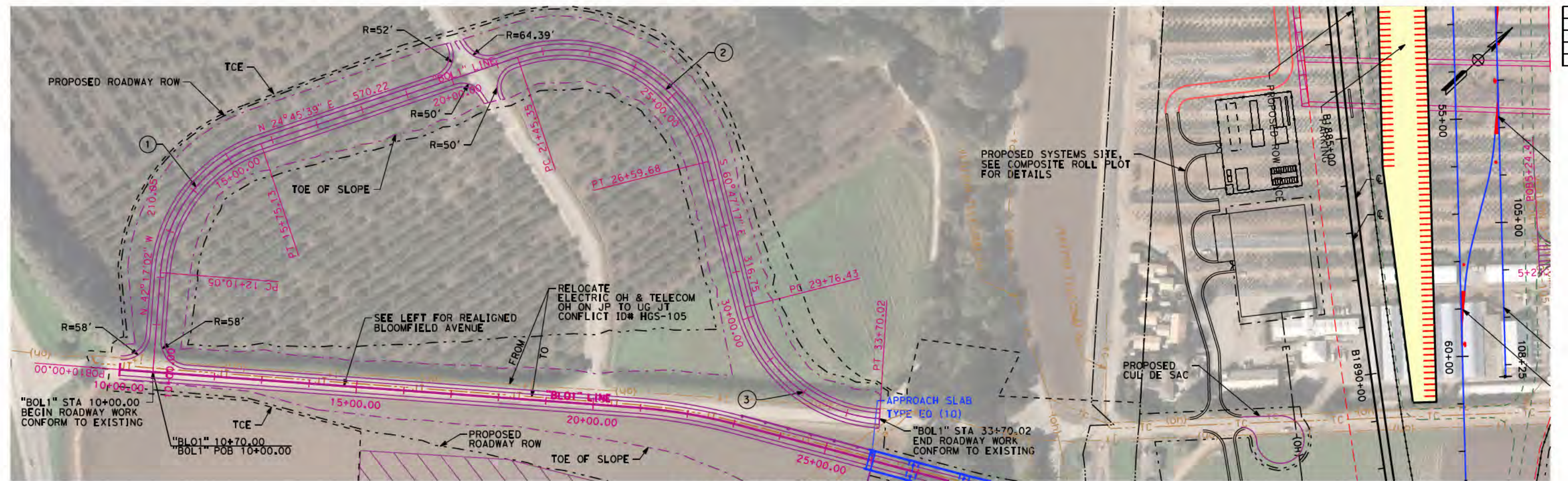
SAN JOSE TO CVY EIR/S: VOLUME III
ALTERNATIVE 3
BOOK 3C
SHEET 116 OF 237

2021 RECORD SET PBD NOVEMBER 30, 2021 NOT FOR CONSTRUCTION	HNTB 1111 Broadway 9th Floor Oakland, CA 94607	CALIFORNIA High-Speed Rail Authority	CALIFORNIA HIGH-SPEED TRAIN PROJECT SAN JOSE TO MERCED MORGAN HILL AND GILROY VIADUCT TO DOWNTOWN GILROY GRADE SEPARATION LAYOUT, PROFILE, & CROSS SECTIONS MONTEREY ROAD	CONTRACT NO. HSR15-34 DRAWING NO. CV-T0704 SCALE AS SHOWN SHEET NO.
--	--	--	--	--



PLAN - BLOOMFIELD AVENUE "BLO1"
SCALE: 1"=200'
P=200' HOR

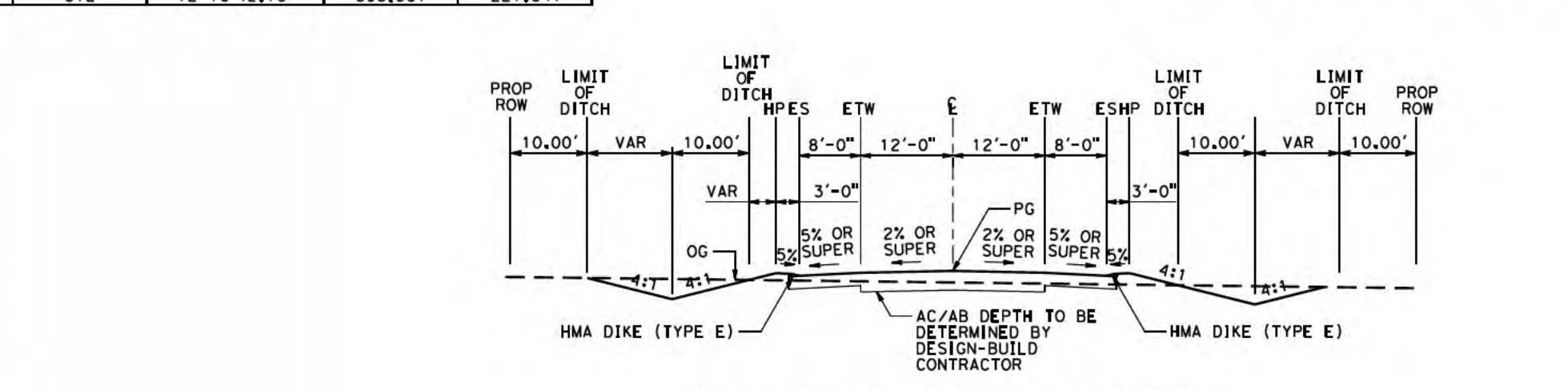
CURVE DATA "BLO1"				
NO.	R	Δ	L	Δ
1	1200	10°42'59.30"	224.445	112.551
2	1200	10°59'01.35"	226.552	113.613
3	1200	18°06'44.14"	379.342	191.267
4	1200	12°19'26.35"	258.113	129.556



PLAN - BOLSA AVENUE "BOL1"
SCALE: 1"=100'
P=200' HOR

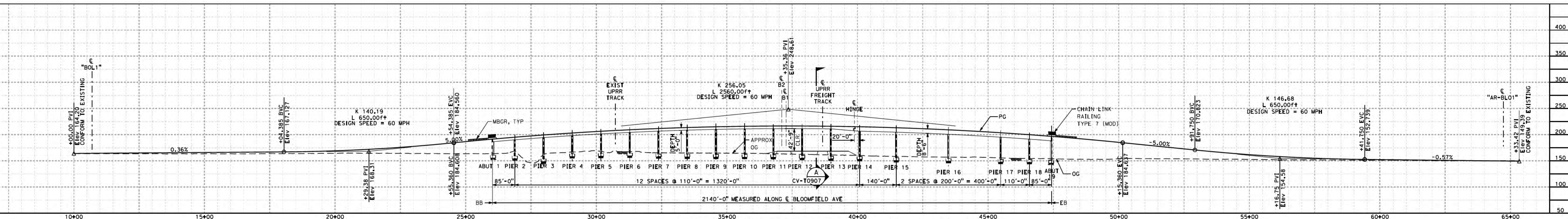
CURVE DATA "BOL1"				
NO.	R	Δ	L	Δ
1	312	67°02'40.61"	365.087	206.683
2	312	94°27'04.02"	514.327	337.231
3	312	72°16'42.16"	393.587	227.841

CURVE DATA "BOL1"				
NO.	R	Δ	L	Δ
1	312	67°02'40.61"	365.087	206.683
2	312	94°27'04.02"	514.327	337.231
3	312	72°16'42.16"	393.587	227.841

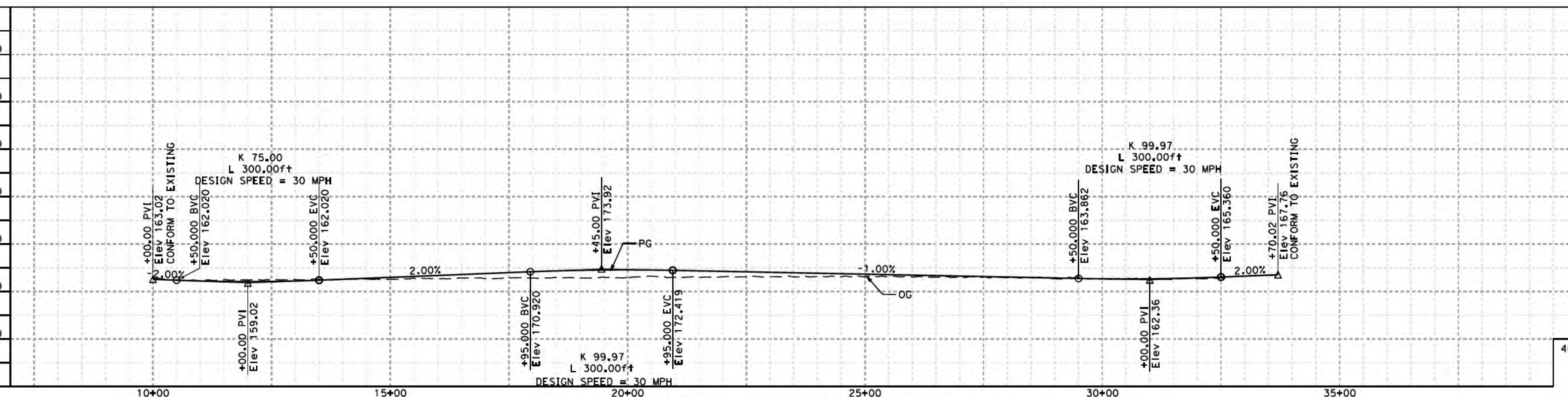


BLOOMFIELD AVE TYPICAL SECTION
SCALE: 1"=20'
"BLO1" STA 10+00.00 TO "BLO1" STA 52+02.31

BOLSA AVE TYPICAL SECTION
SCALE: 1"=20'
"BOL1" STA 10+00.00 TO "BOL1" STA 26+30.00



PROFILE - BLOOMFIELD AVENUE "BLO1"
SCALE: 1"=200' HOR, 1"=100' VERT
P=100' VERT



PROFILE - BOLSA AVENUE "BOL1"
SCALE: 1"=200' HOR, 1"=100' VERT
P=100' VERT

**SAN JOSE TO CVY EIRIS: VOLUME III
ALTERNATIVE 3
BOOK 3C
SHEET 117 OF 237**

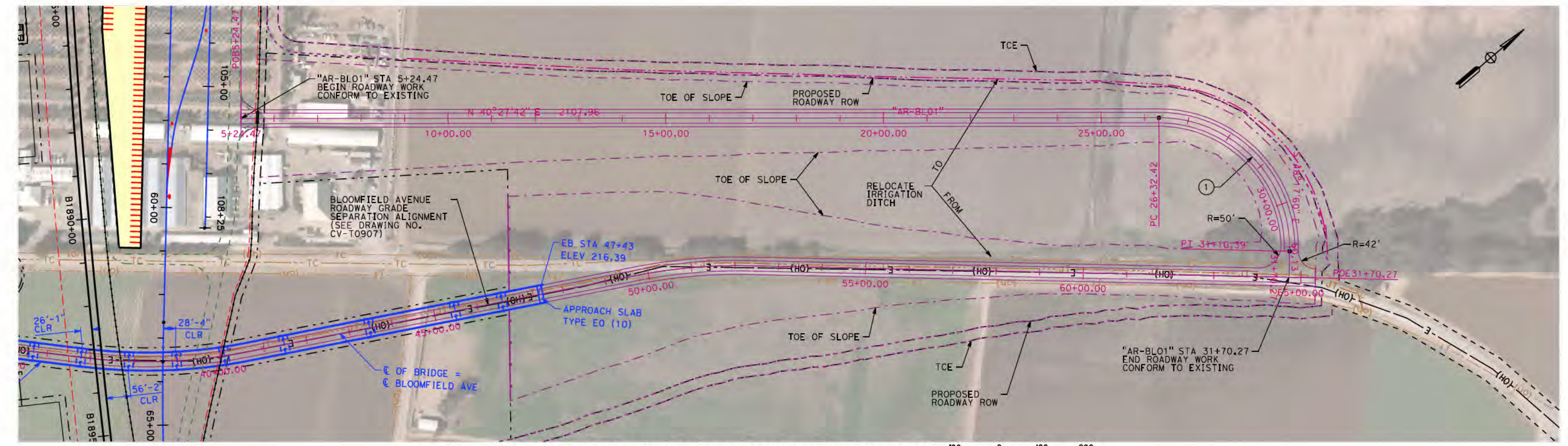
2021 RECORD SET PBD
NOVEMBER 30, 2021
NOT FOR CONSTRUCTION

HNTB
1111 Broadway
9th Floor
Oakland, CA 94607

CALIFORNIA High-Speed Rail Authority

CALIFORNIA HIGH-SPEED TRAIN PROJECT
SAN JOSE TO MERCED
VIADUCT TO DOWNTOWN GILROY
GRADE SEPARATION LAYOUT, PROFILE, & CROSS SECTIONS
BOLSA ROAD AND BLOOMFIELD AVENUE

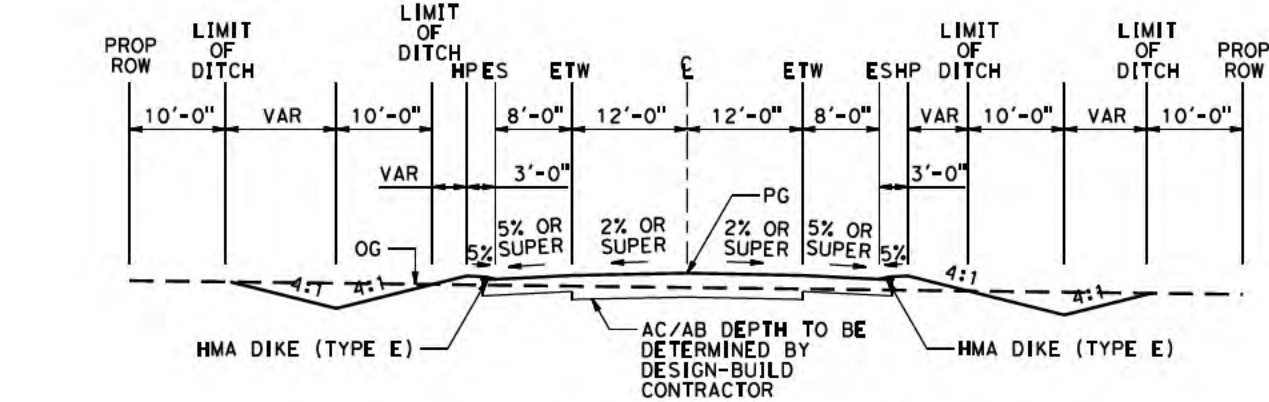
CONTRACT NO. HSR15-34
DRAWING NO. CV-T0907
SCALE AS SHOWN
SHEET NO.



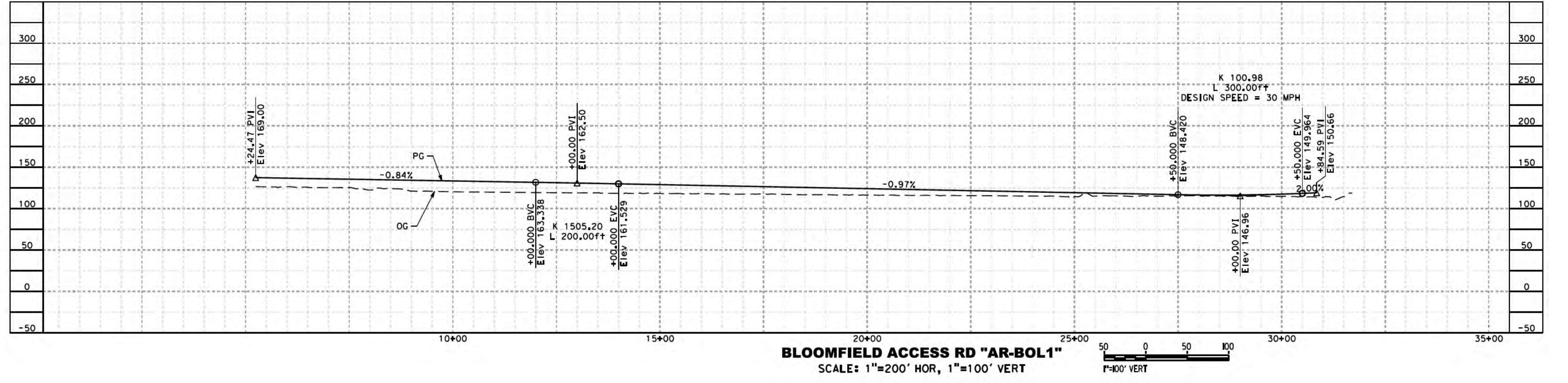
CURVE DATA "AR-BL01"				
NO.	R	Δ	L	T
1	300	91°14'18.58"	477.724	306.556

NOTE:
1. REFER TO GENERAL NOTES SHEETS GE-B0001 AND GE-B0002 FOR NOTES.

PLAN - BLOOMFIELD ACCESS RD "AR-BL01"
SCALE: 1"=200'
F=200' HOR



BLOOMFIELD ACCESS RD TYPICAL SECTION
SCALE: 1"=20'
"AR-BL01" STA 10+00.00 "AR-BL01" STA TO 30+84.59

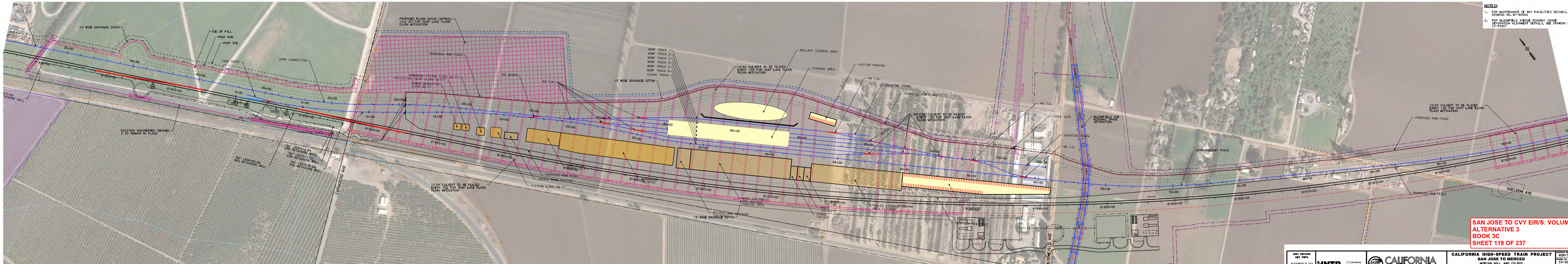


BLOOMFIELD ACCESS RD "AR-BL01"
SCALE: 1"=200' HOR, 1"=100' VERT
F=100' VERT

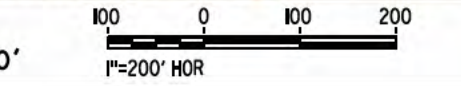
SAN JOSE TO CVY EIR/S: VOLUME III
ALTERNATIVE 3
BOOK 3C
SHEET 118 OF 237

2021 RECORD SET PBD NOVEMBER 30, 2021 NOT FOR CONSTRUCTION	HNTB 1111 Broadway 9th Floor Oakland, CA 94607	CALIFORNIA High-Speed Rail Authority	CALIFORNIA HIGH-SPEED TRAIN PROJECT SAN JOSE TO MERCED MORGAN HILL AND GILROY VIADUCT TO DOWNTOWN GILROY GRADE SEPARATION LAYOUT, PROFILE, & CROSS SECTIONS BLOOMFIELD ACCESS ROAD	CONTRACT NO. HSR15-34 DRAWING NO. CV-T0909 SCALE AS SHOWN SHEET NO.
--	--	--	--	--

- NOTES:**
1. FOR MAINTENANCE OF WAY FACILITIES DETAILS, SEE DRAWING NO. MY-B0906
 2. FOR BLOOMFIELD AVENUE ROADWAY GRADE SEPARATION ALIGNMENT DETAILS, SEE DRAWING NO. CV-T0907



PLAN
SCALE: 1"=200'



SAN JOSE TO CVY EIR/S: VOLUME III
ALTERNATIVE 3
BOOK 3C
SHEET 119 OF 237

2021 RECORD SET PBD
NOVEMBER 30, 2021
NOT FOR CONSTRUCTION

HNTB
1111 Broadway
9th Floor
Oakland, CA 94607



CALIFORNIA HIGH-SPEED TRAIN PROJECT
SAN JOSE TO MERCED
MORGAN HILL AND GILROY VIADUCT/AT-GRADE TO DOWNTOWN GILROY SOAP LAKE FLOOD PLAIN DETAIL

CONTRACT NO. HSR15-34
DRAWING NO. CV-G0901
SCALE: AS SHOWN
SHEET NO.